



US00D715763S

(12) **United States Design Patent**  
**Ryu et al.**

(10) **Patent No.:** **US D715,763 S**  
(45) **Date of Patent:** **\*\* Oct. 21, 2014**

(54) **SPEAKER FOR HOME THEATER**

181/157, 198, 199; 381/300–303, 306, 332,  
381/333, 336, 345, 361–364, 386–388;  
369/6–12

(71) Applicant: **LG Electronics Inc.**, Seoul (KR)

See application file for complete search history.

(72) Inventors: **Junghan Ryu**, Seoul (KR); **Sooyoung Park**, Gyeonggi-do (KR); **Junki Kim**, Seoul (KR); **Yongsoo Kim**, Seoul (KR)

(56) **References Cited**

U.S. PATENT DOCUMENTS

(73) Assignee: **LG Electronics Inc.**, Seoul (KR)

D540,307 S *	4/2007	Han	.....	D14/211
D645,449 S *	9/2011	Kusuki	.....	D14/214
D659,677 S *	5/2012	Kim et al.	.....	D14/214
D676,829 S *	2/2013	Kaneko	.....	D14/209.1
D685,349 S *	7/2013	Ohno et al.	.....	D14/221
D692,860 S *	11/2013	Paterson	.....	D14/214

(\*\*) Term: **14 Years**

\* cited by examiner

(21) Appl. No.: **29/465,430**

(22) Filed: **Aug. 28, 2013**

*Primary Examiner* — Keli L Hill

(30) **Foreign Application Priority Data**

Apr. 17, 2013 (KR) ..... 30-2013-0020152

(74) *Attorney, Agent, or Firm* — Morgan, Lewis & Bockius LLP

(51) **LOC (10) Cl.** ..... **14-03**

(57) **CLAIM**

(52) **U.S. Cl.**

The ornamental design for a speaker for home theater, as shown and described.

USPC ..... **D14/204**

(58) **Field of Classification Search**

**DESCRIPTION**

CPC ..... H04M 1/03; H04M 1/035; H04R 1/02;  
H04R 1/06; H04R 1/021; H04R 1/025;  
H04R 1/026; H04R 1/105; H04R 1/323;  
H04R 1/345; H04R 1/403; H04R 1/2803;  
H04R 1/2834; H04R 5/02; H04R 7/20;  
H04R 9/06; H04R 9/025; H04R 2201/021;  
H04R 2400/07; H04R 2499/11; H04R  
2499/13; H04R 2499/15; G06F 1/1688;  
H04N 5/642

FIG. 1 is a front, right side, perspective view of a speaker for home theater showing our new design;  
FIG. 2 is a front view thereof;  
FIG. 3 is a rear view thereof;  
FIG. 4 is a left side view thereof;  
FIG. 5 is a right side view thereof;  
FIG. 6 is a top view thereof;  
FIG. 7 is a bottom view thereof; and,  
FIG. 8 is a rear, right side perspective view thereof.

USPC ..... D14/167, 168, 170–172, 188, 194–196,  
D14/204, 207, 209.1, 210–216, 221, 222,  
D14/224; 181/143, 144, 147, 148, 150, 153,

**1 Claim, 3 Drawing Sheets**

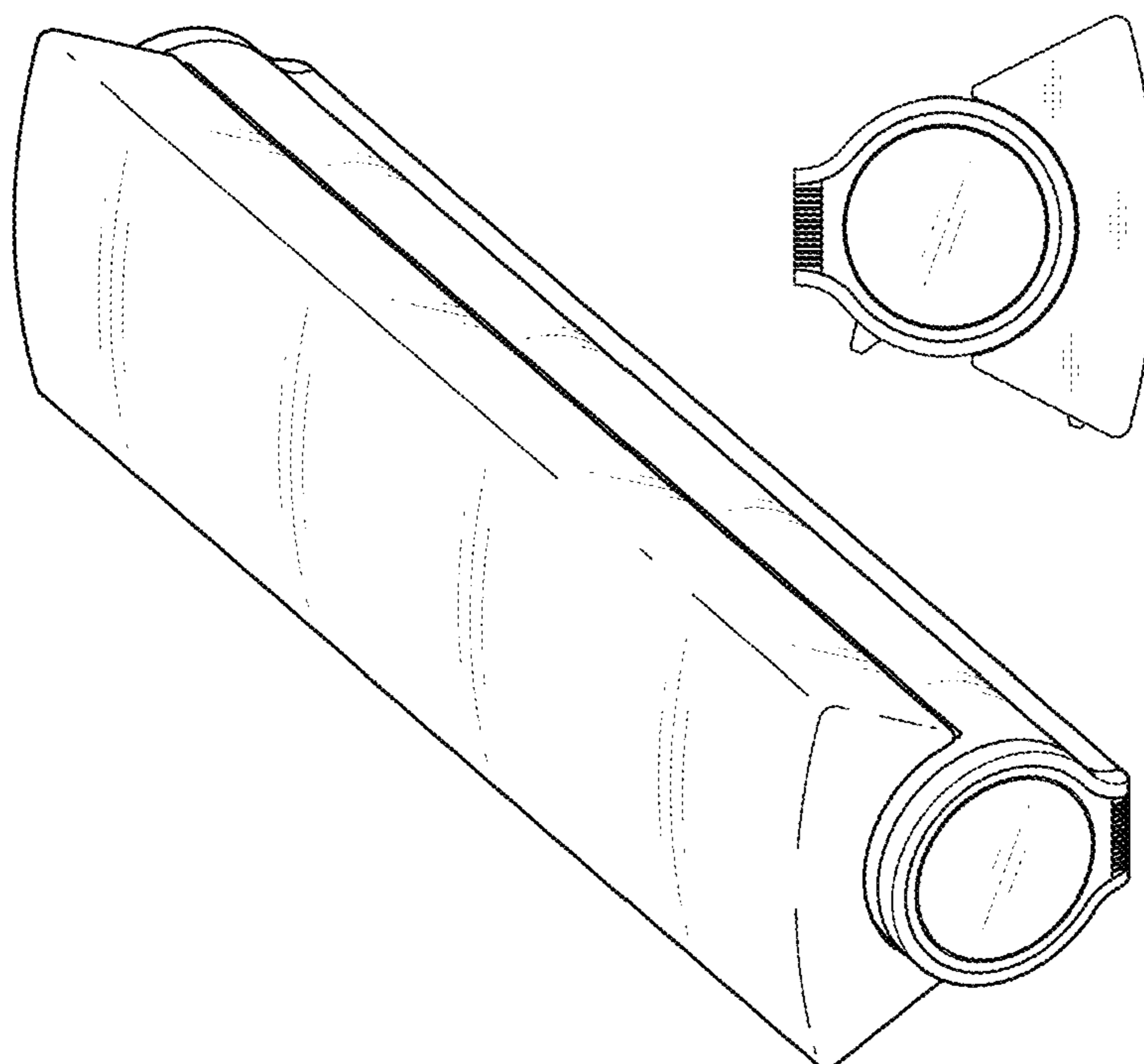


FIG. 1

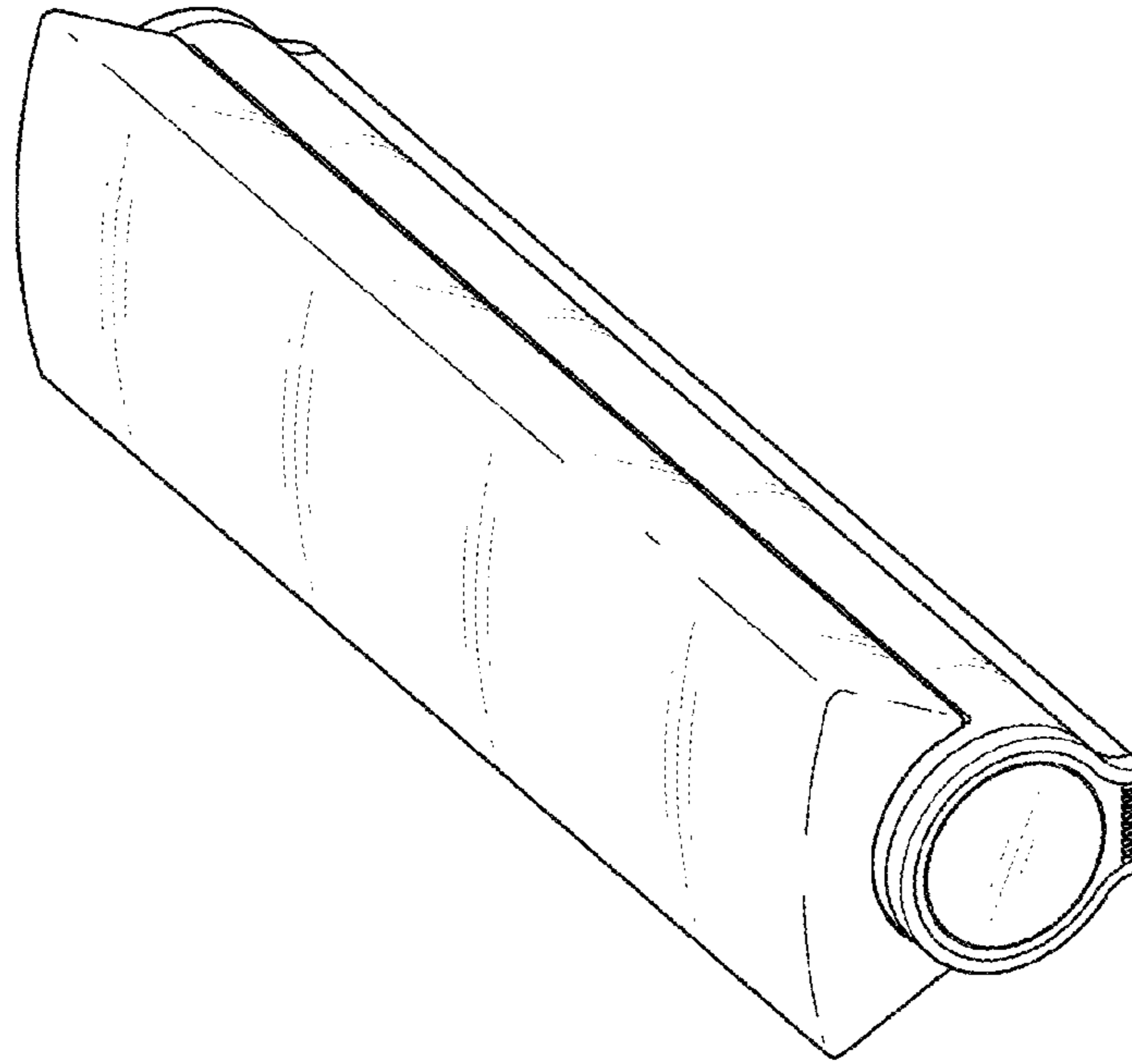


FIG. 2

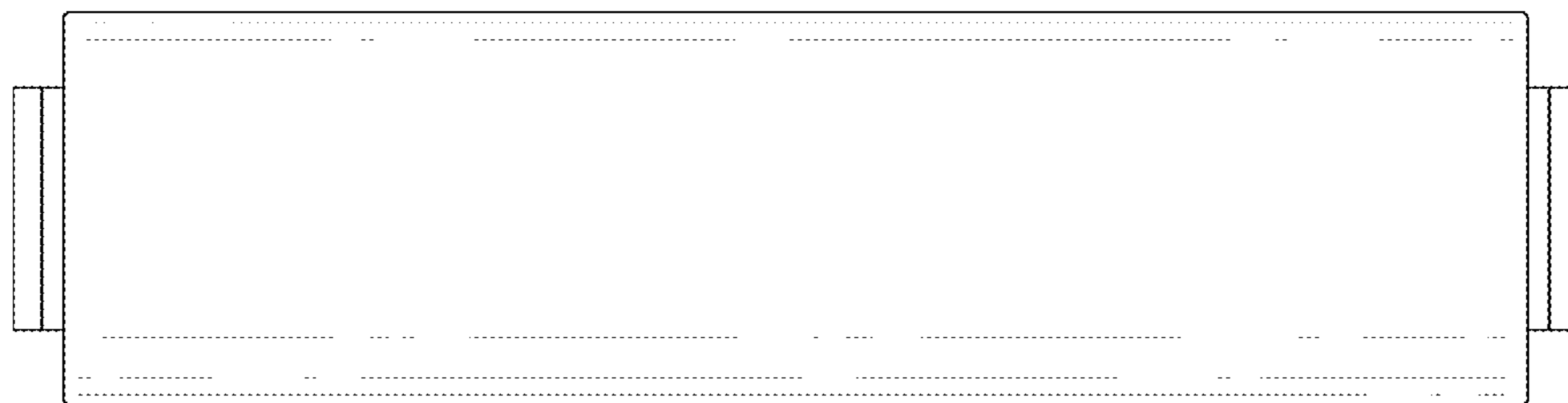


FIG. 3



FIG. 4

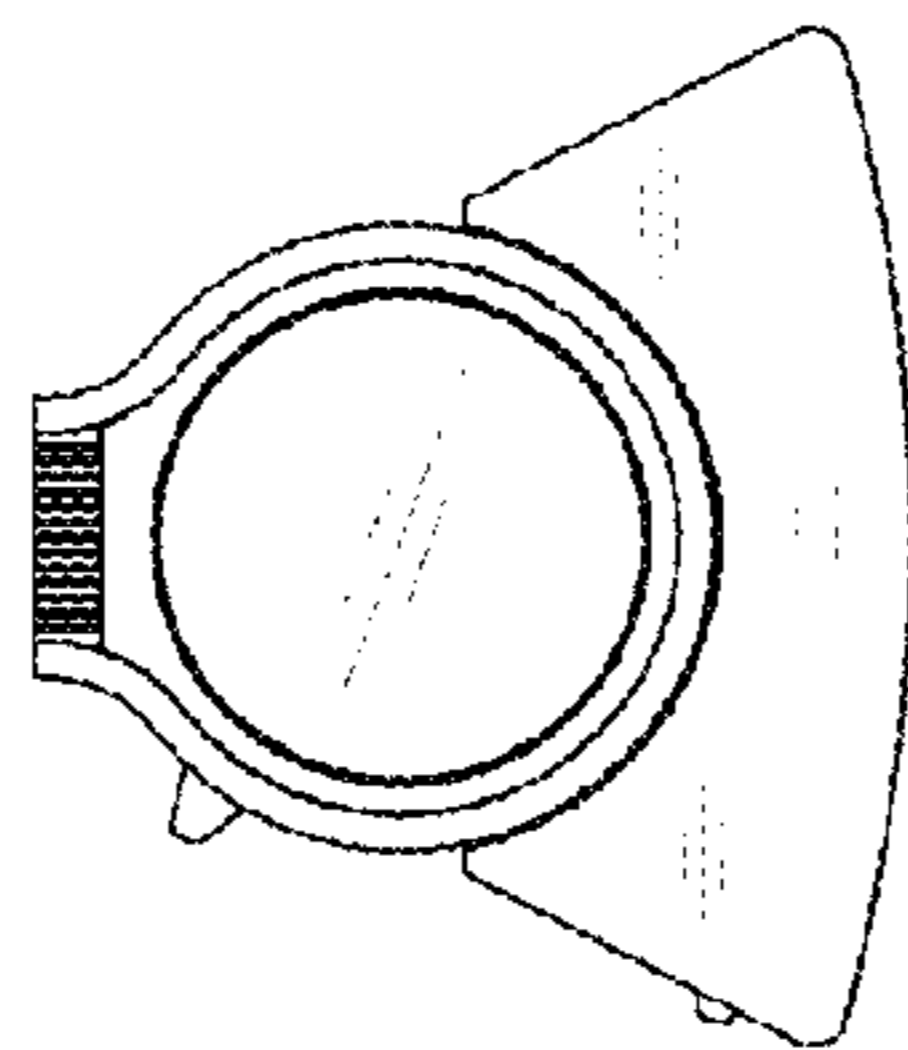


FIG. 5

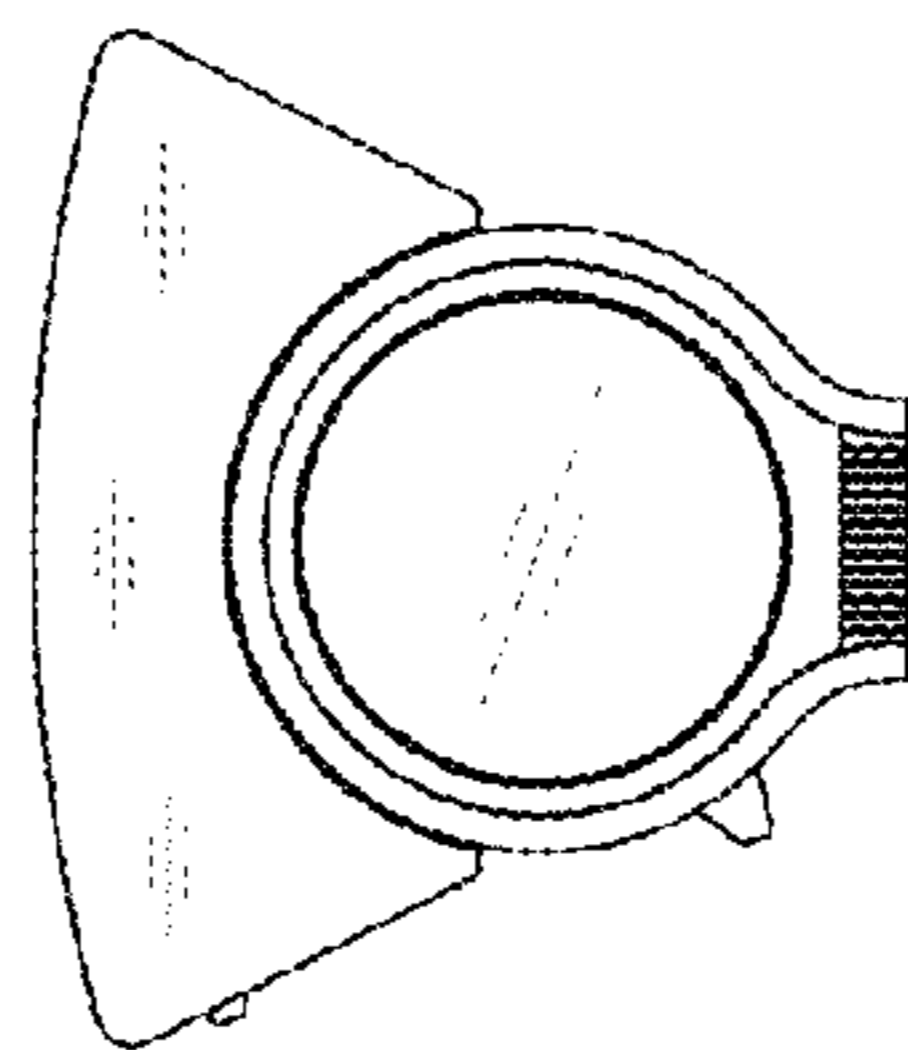


FIG. 6

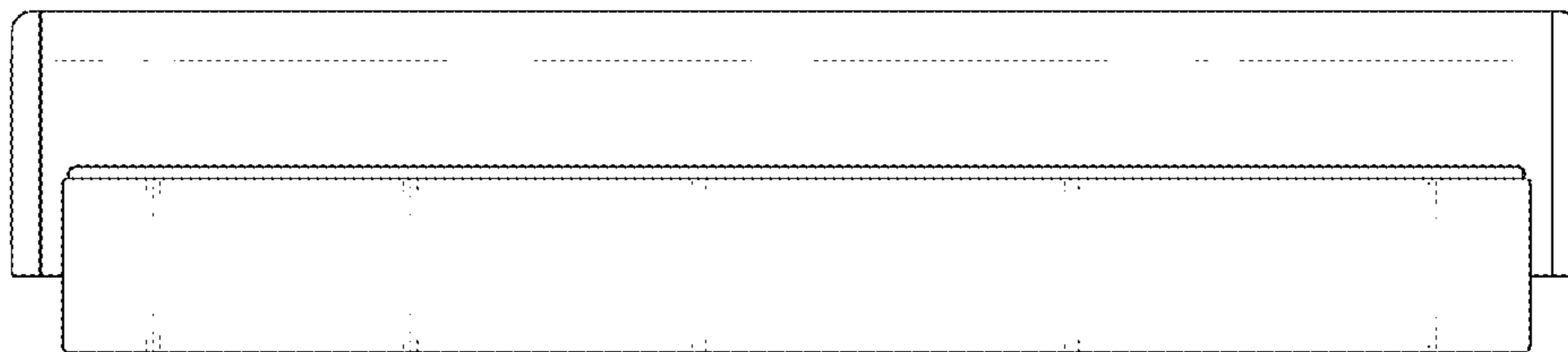


FIG. 7

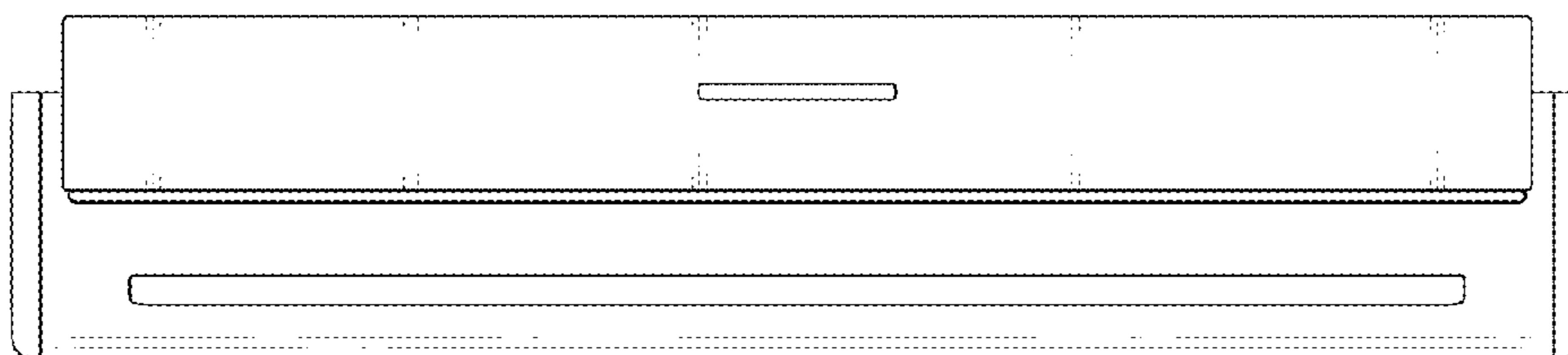


FIG. 8

