



US00D715762S

(12) **United States Design Patent**  
**Chong et al.**

(10) **Patent No.:** **US D715,762 S**  
(45) **Date of Patent:** **\*\* Oct. 21, 2014**

(54) **AUDIO APPARATUS SYSTEM**

(71) Applicant: **LG Electronics Inc.**, Seoul (KR)

(72) Inventors: **Yuonui Chong**, Seoul (KR); **Sunghee Han**, Guri-si (KR); **Gangho Woo**, Seoul (KR)

(73) Assignee: **LG Electronics Inc.**, Seoul (KR)

(\*\*) Term: **14 Years**

(21) Appl. No.: **29/452,135**

(22) Filed: **Apr. 12, 2013**

(30) **Foreign Application Priority Data**

Oct. 15, 2012 (KR) ..... 30-2012-0048801

(51) **LOC (10) Cl.** ..... **14-03**

(52) **U.S. Cl.**  
USPC ..... **D14/195**; D14/198; D14/215

(58) **Field of Classification Search**  
CPC ..... B60R 11/0217; G06F 1/1688; G06K 9/00013; G06K 9/00026; G06K 9/00919; G08B 13/1427; G08B 21/023; H04M 1/03; H04M 1/035; H04M 1/67; H04M 2250/12; H04N 5/642; H04N 21/4852; H04N 7/15; H04R 1/02; H04R 1/06; H04R 1/021; H04R 1/025; H04R 1/026; H04R 1/028; H04R 1/105; H04R 1/323; H04R 1/403; H04R 1/2803; H04R 1/2834; H04R 5/02; H04R 7/20; H04R 9/06; H04R 9/025; H04R 2201/021; H04R 2400/00; H04R 2400/07; H04R 2499/11; H04R 2499/13; H04R 2499/15; H04S 3/00; H04S 7/30  
USPC ..... D14/131, 132, 137, 155, 157, 167-172, D14/188, 194-198, 203.1-203.8, 204, 207, D14/209.1, 210-216, 221, 222, 224, 239, D14/257, 258, 496, 498-508; 455/90.1-90.3, 344-355; 369/6-12; 181/143, 144, 147, 148, 150, 153, 157,

181/198, 199; 381/300-303, 306, 332, 333, 381/336, 345, 361-364, 386-388

See application file for complete search history.

(56) **References Cited**

U.S. PATENT DOCUMENTS

D313,415 S \* 1/1991 Ikeya et al. .... D14/165  
D590,812 S \* 4/2009 Muraoka et al. .... D14/215  
D689,460 S \* 9/2013 Chen ..... D14/172  
D703,185 S \* 4/2014 Kim ..... D14/209.1

\* cited by examiner

*Primary Examiner* — Keli L Hill

(74) *Attorney, Agent, or Firm* — Birch, Stewart, Kolasch & Birch, LLP

(57) **CLAIM**

The ornamental design for an audio apparatus system, as shown and described.

**DESCRIPTION**

FIG. 1 is a perspective view of the audio apparatus system; FIG. 2 is a front view thereof; FIG. 3 is a rear view thereof; FIG. 4 is a left side view thereof where the right side view is a mirror image; FIG. 5 is a top plan view thereof; FIG. 6 is a bottom plan view thereof; FIG. 7 is a perspective view of the audio apparatus system showing the different arrangement of its components; FIG. 8 is a perspective view of the main body of the audio apparatus system, shown separately for ease of illustration; FIG. 9 is a front view of FIG. 8; FIG. 10 is a rear view of FIG. 8; FIG. 11 is a left side view of FIG. 8; FIG. 12 is a right side view of FIG. 8; FIG. 13 is a top plan view of FIG. 8; FIG. 14 is a bottom plan view of FIG. 8; FIG. 15 is a perspective view of the speaker of the audio apparatus system, shown separately for ease of illustration; FIG. 16 is a front view of FIG. 15; FIG. 17 is a rear view of FIG. 15; FIG. 18 is a left side view of FIG. 15 where the right side view is a mirror image; FIG. 19 is a top plan view of FIG. 15; and, FIG. 20 is a bottom plan view of FIG. 15.

**1 Claim, 13 Drawing Sheets**

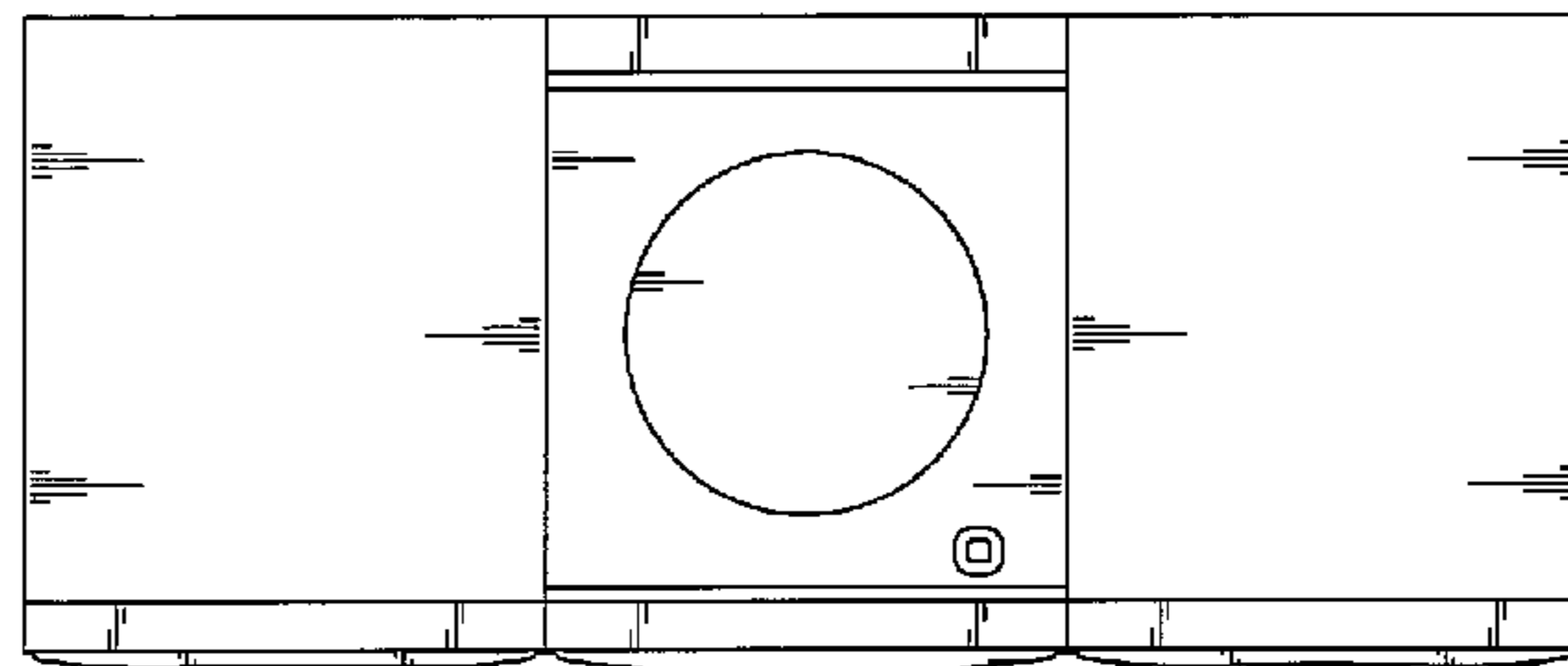
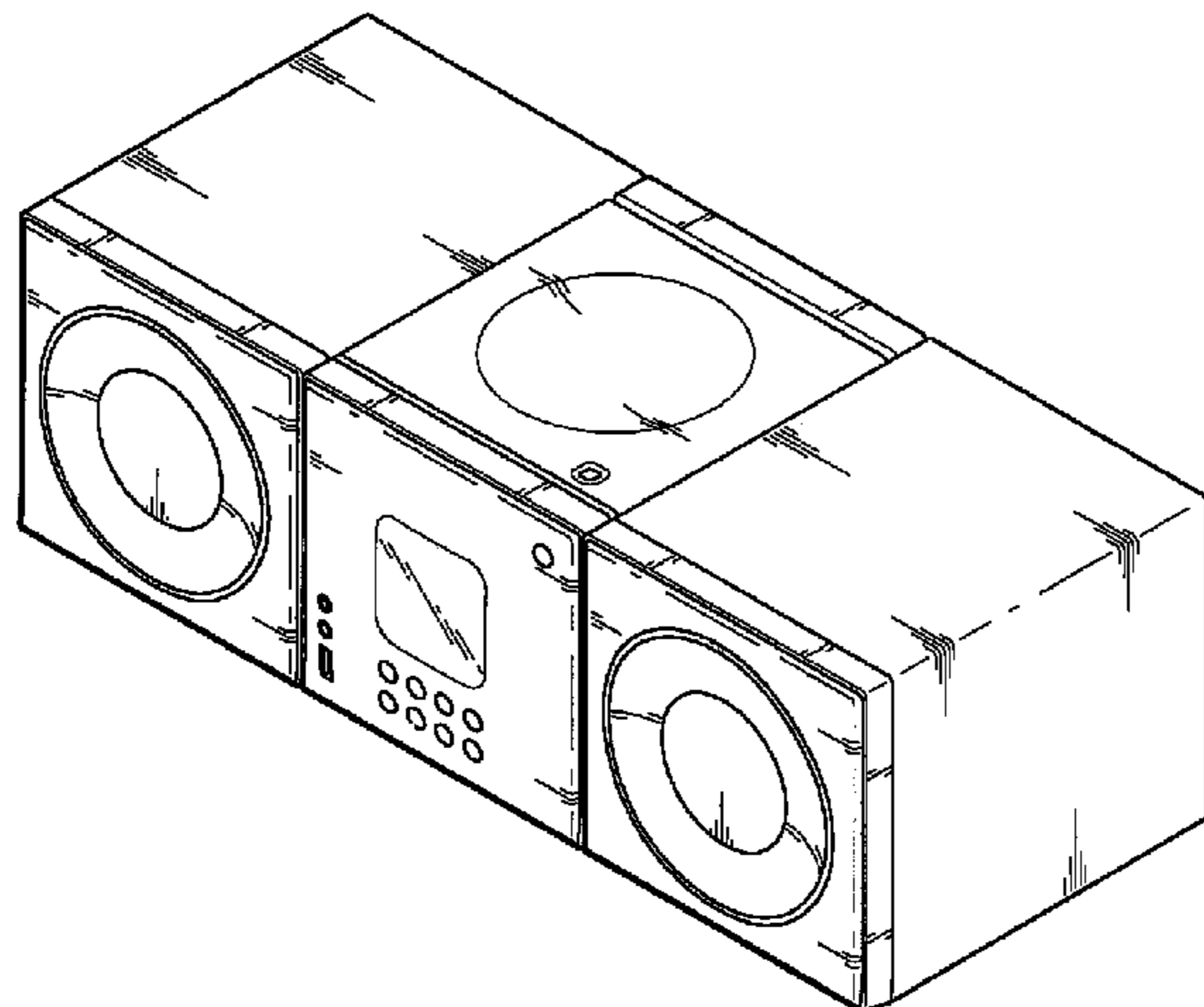


FIG. 1

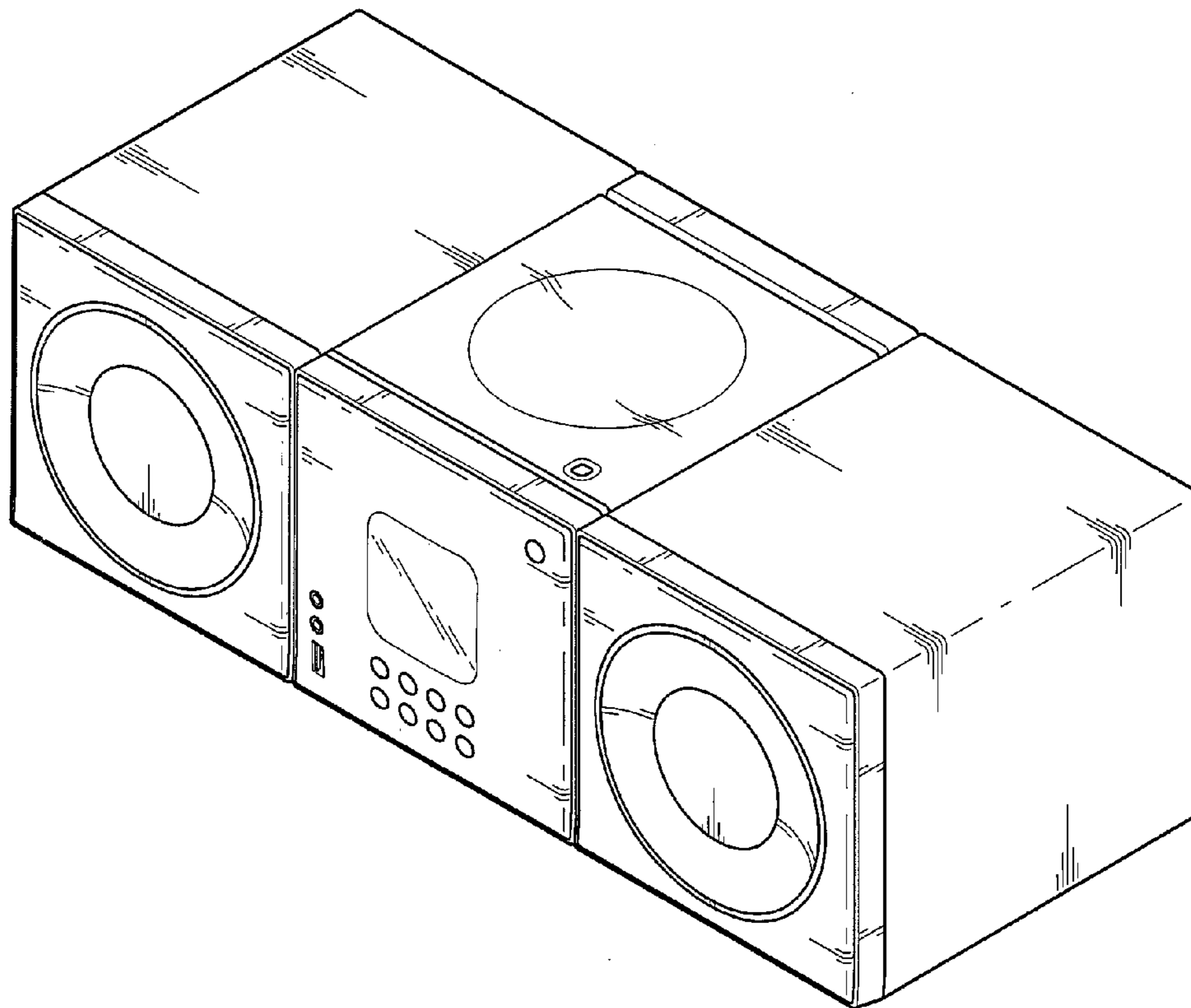


FIG. 2

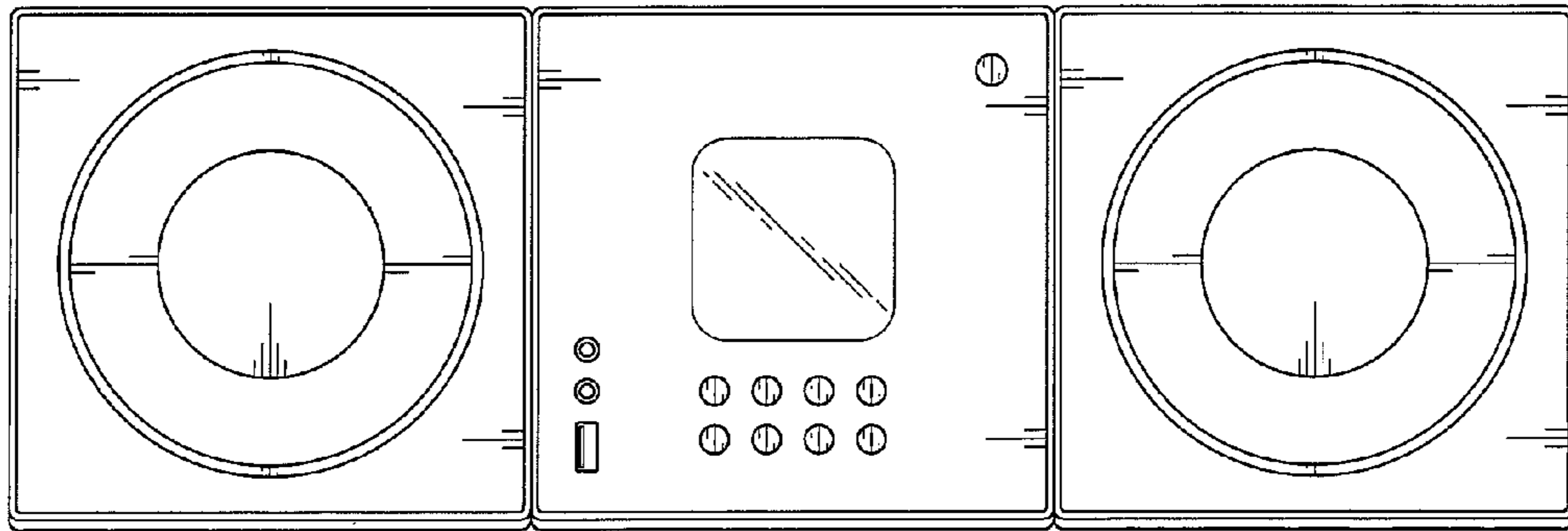


FIG. 3

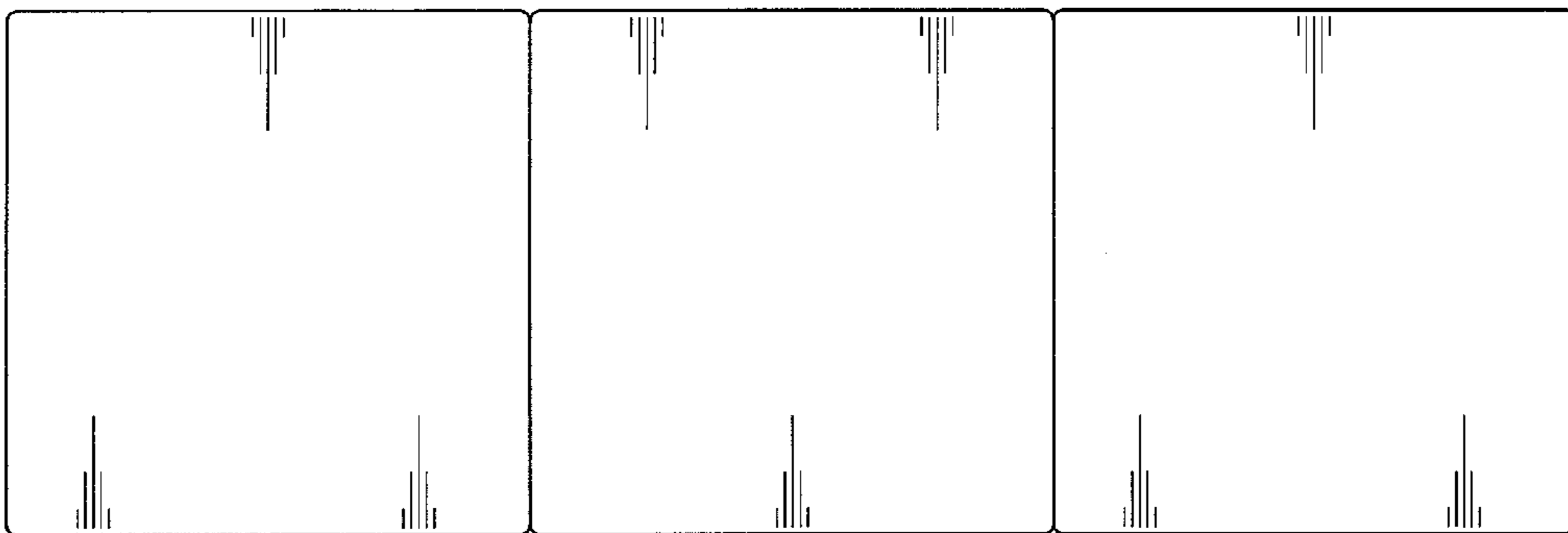


FIG. 4

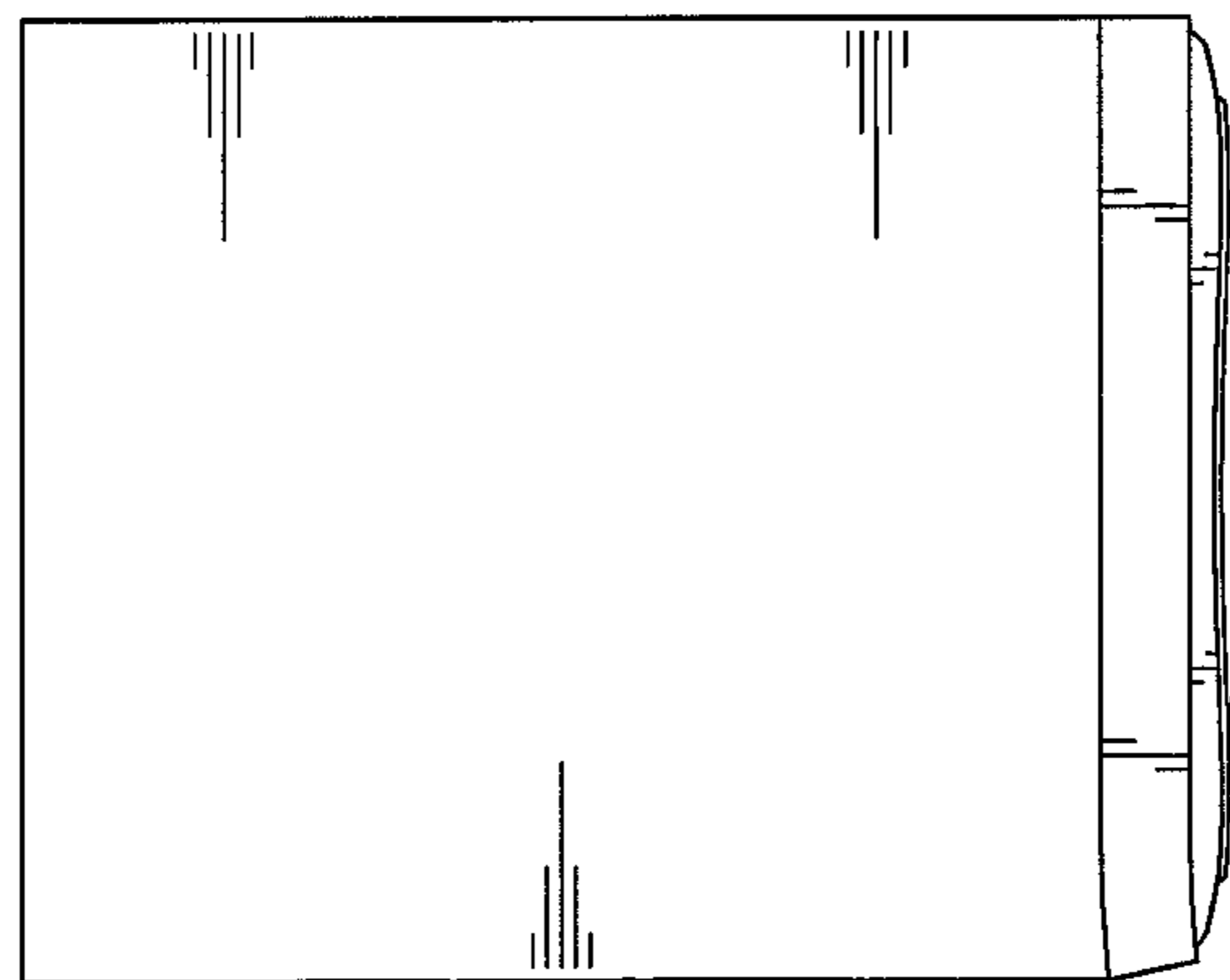


FIG. 5

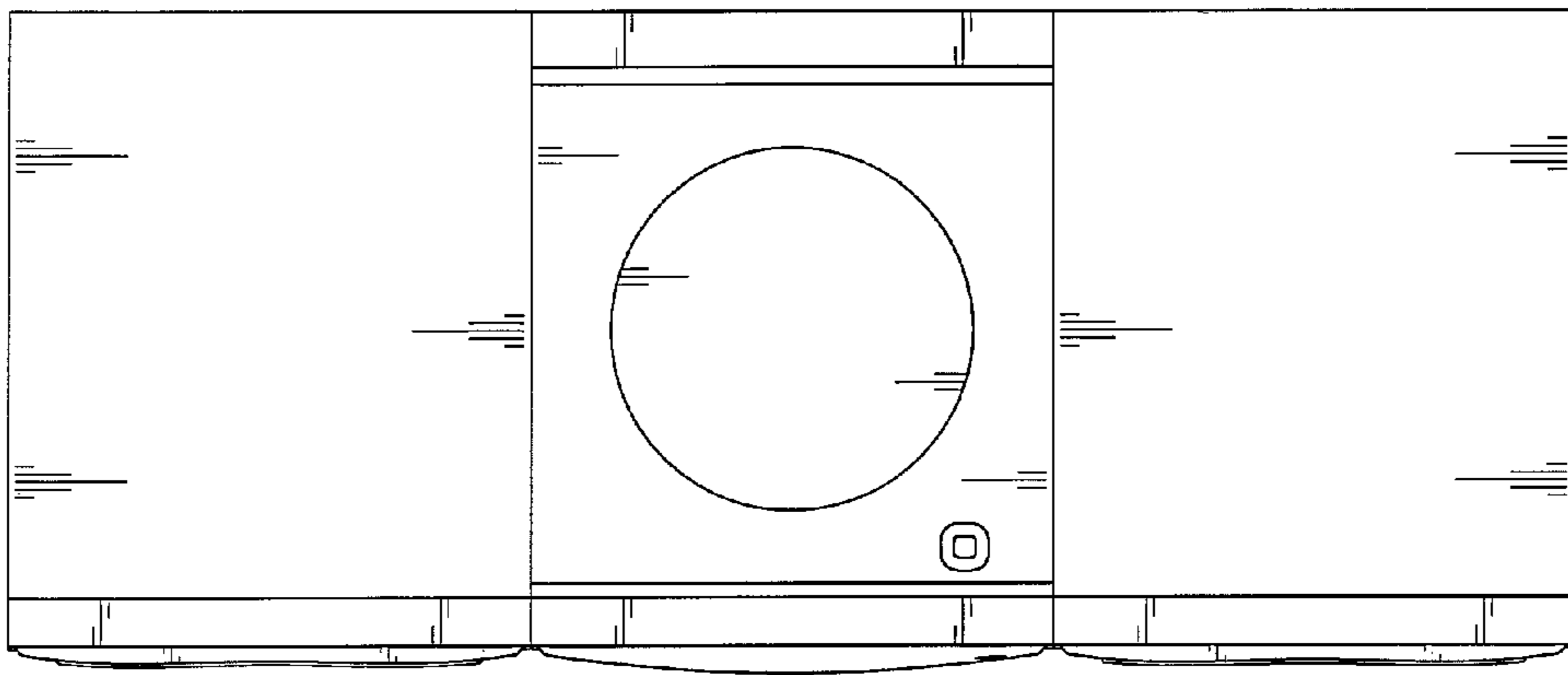


FIG. 6

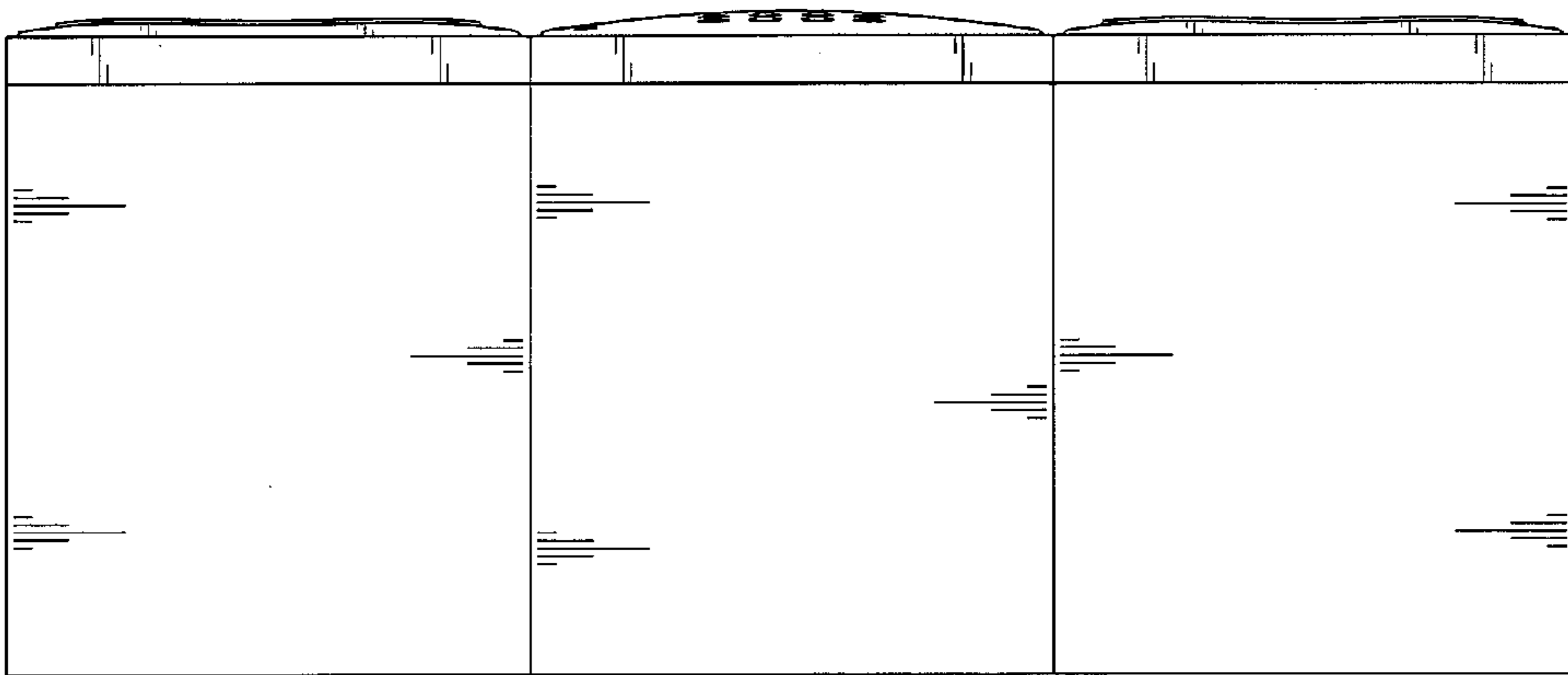


FIG. 7

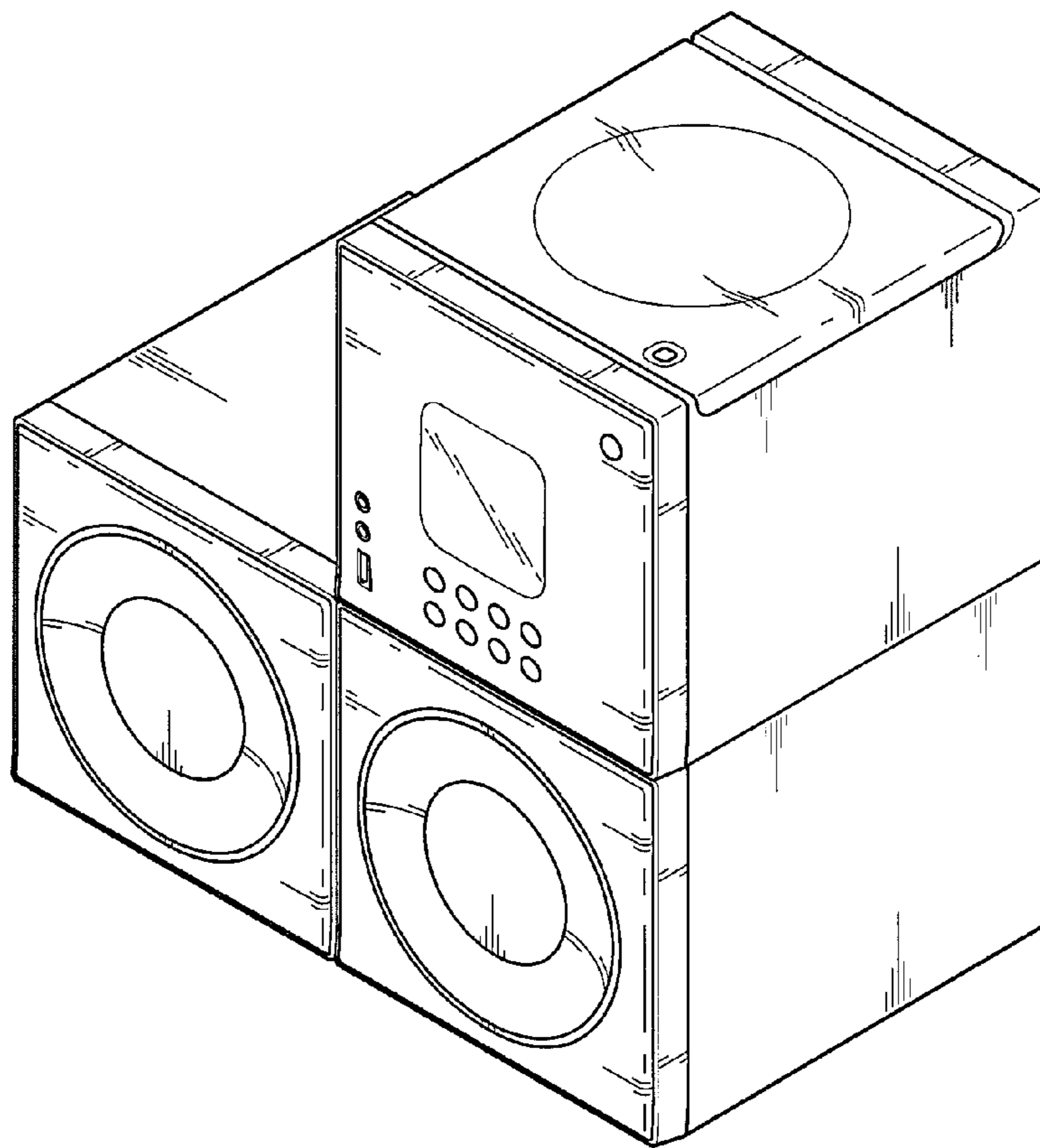


FIG. 8

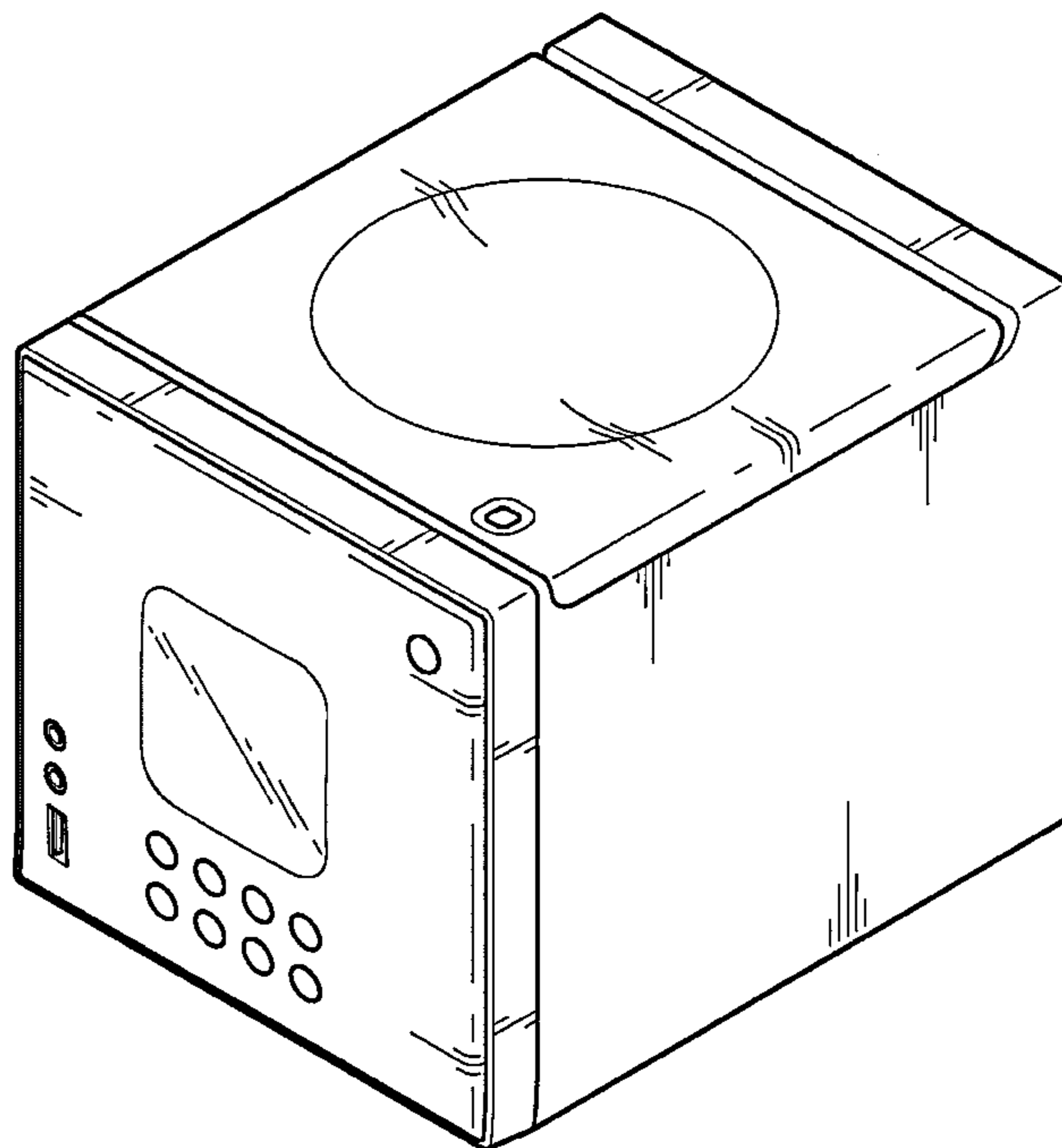


FIG. 9

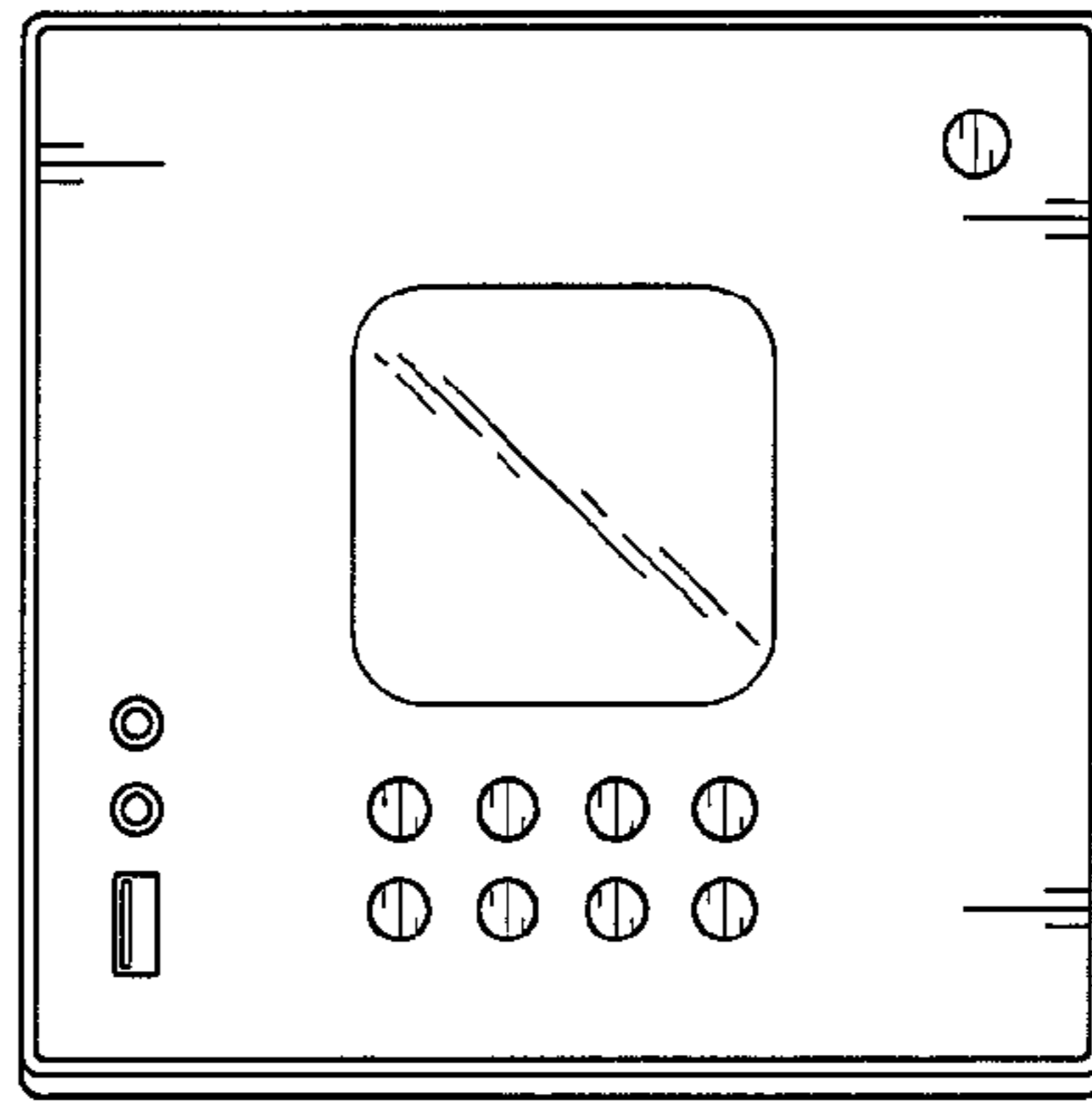


FIG. 10

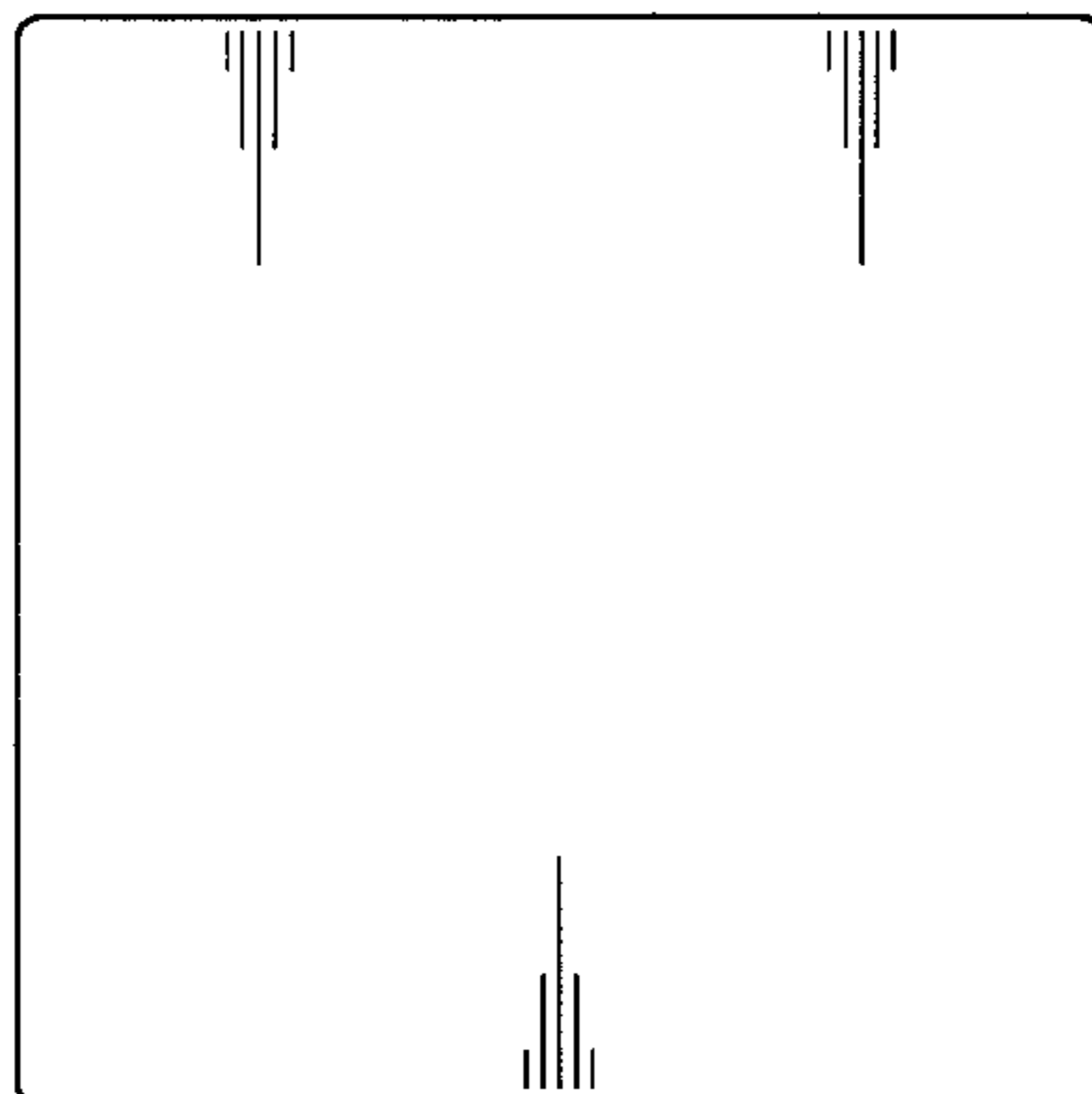




FIG. 11

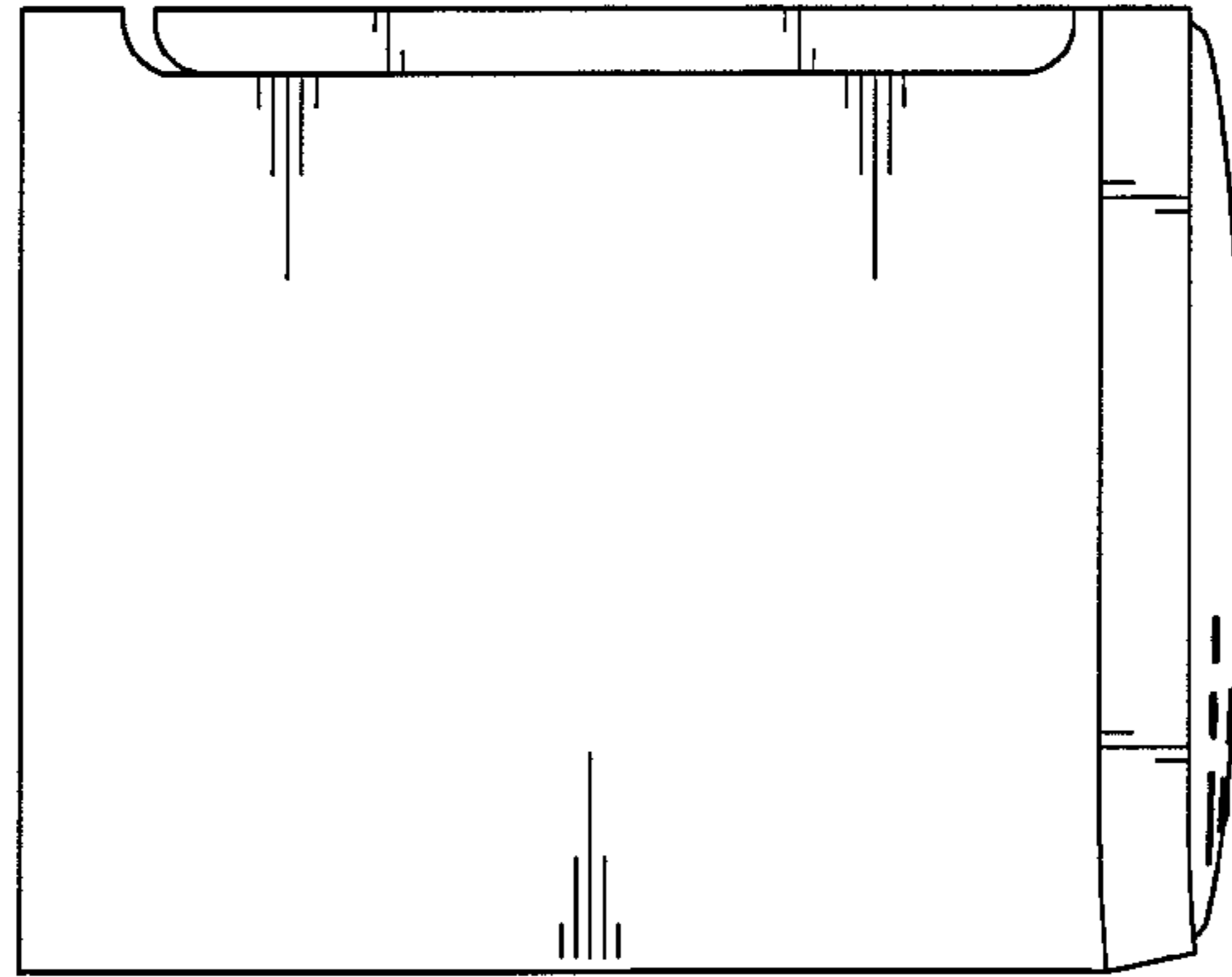


FIG. 12

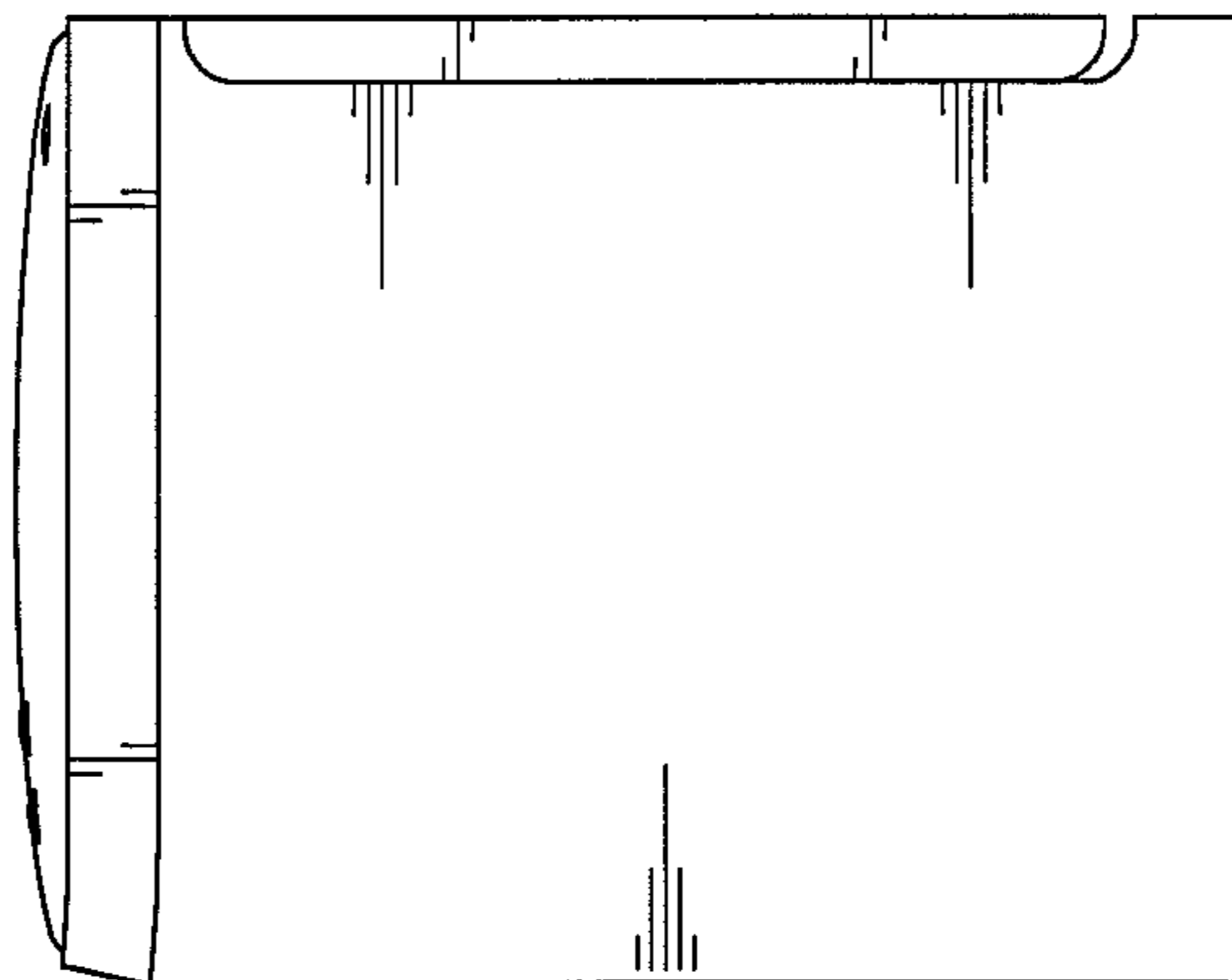


FIG. 13

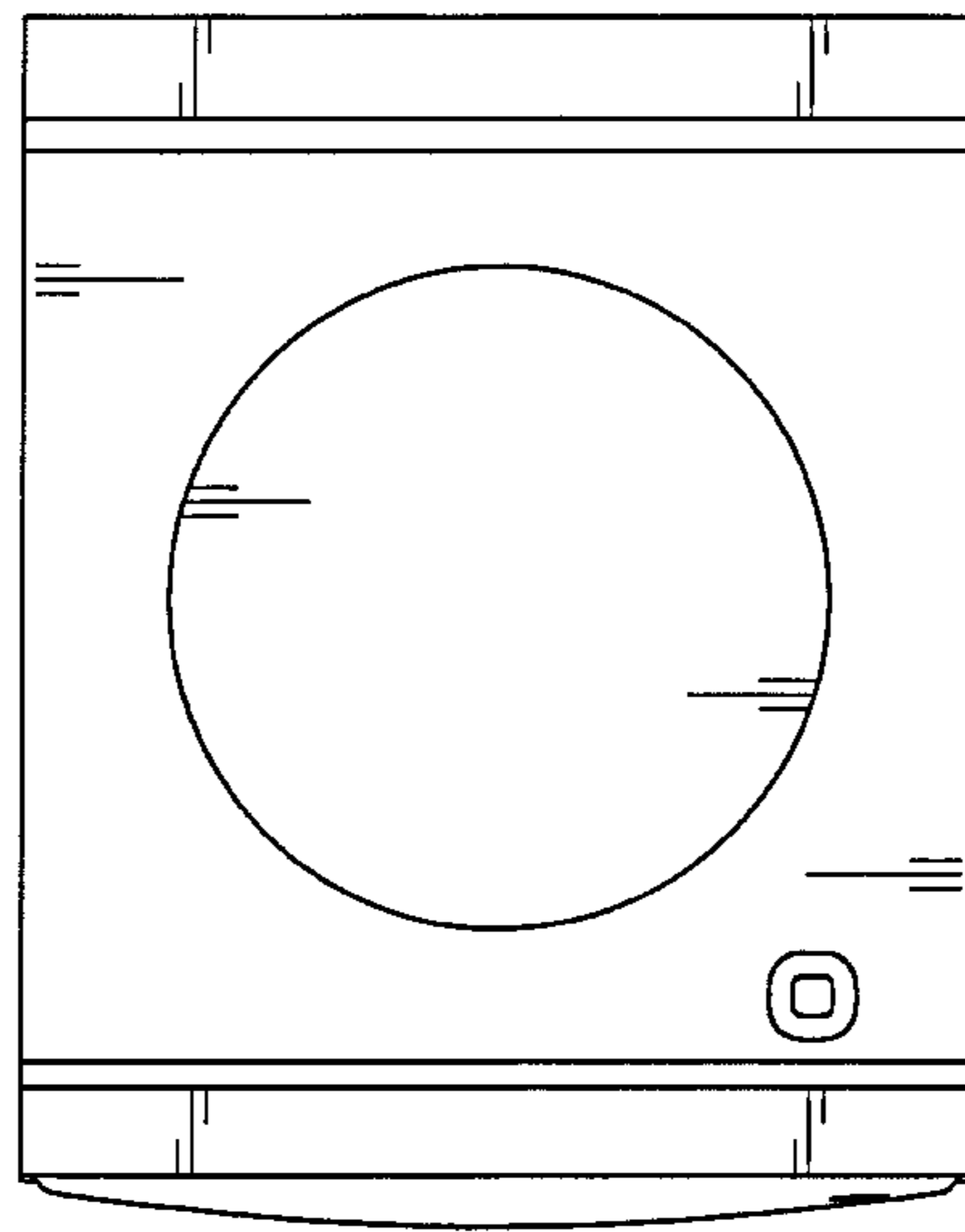


FIG. 14

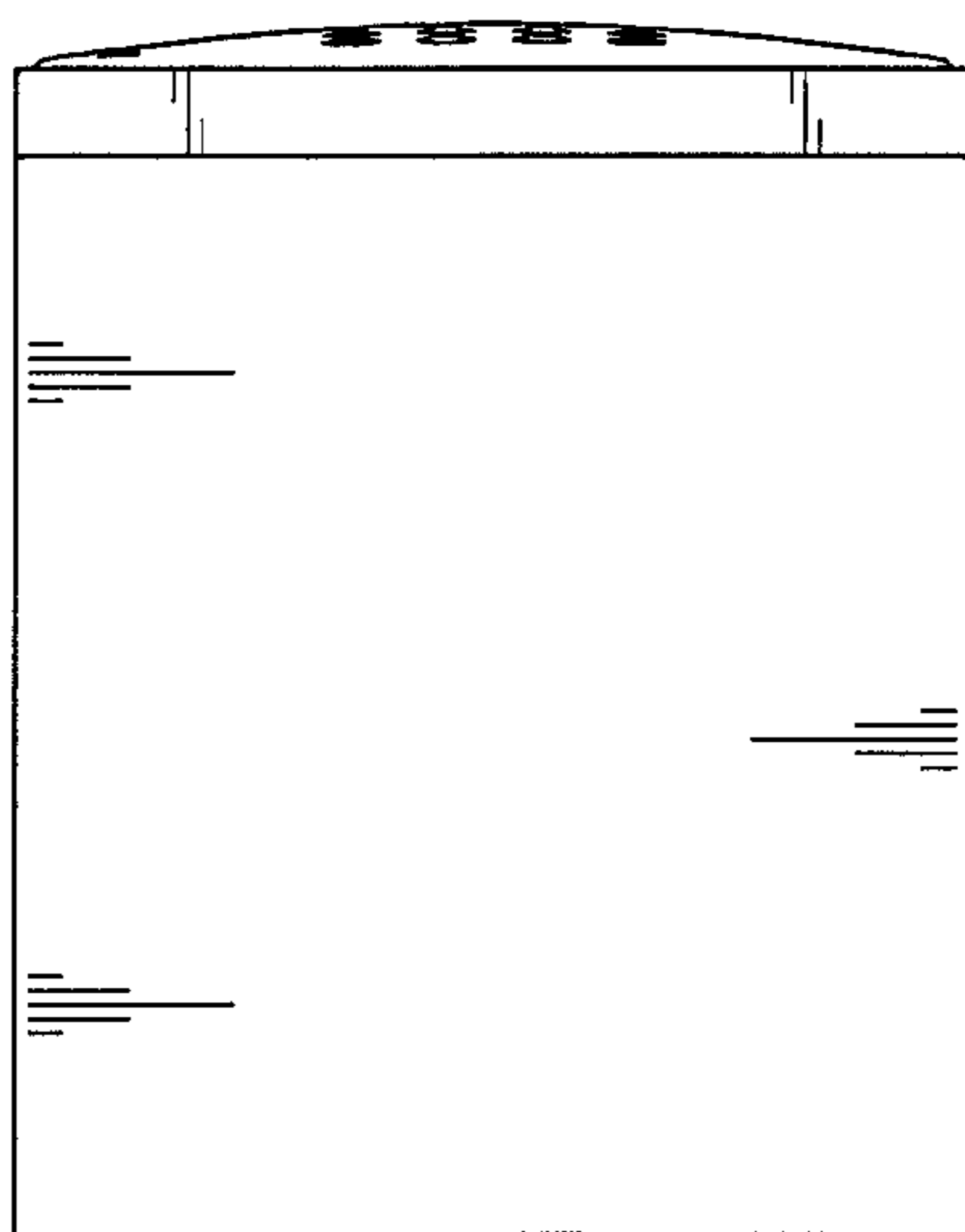


FIG. 15

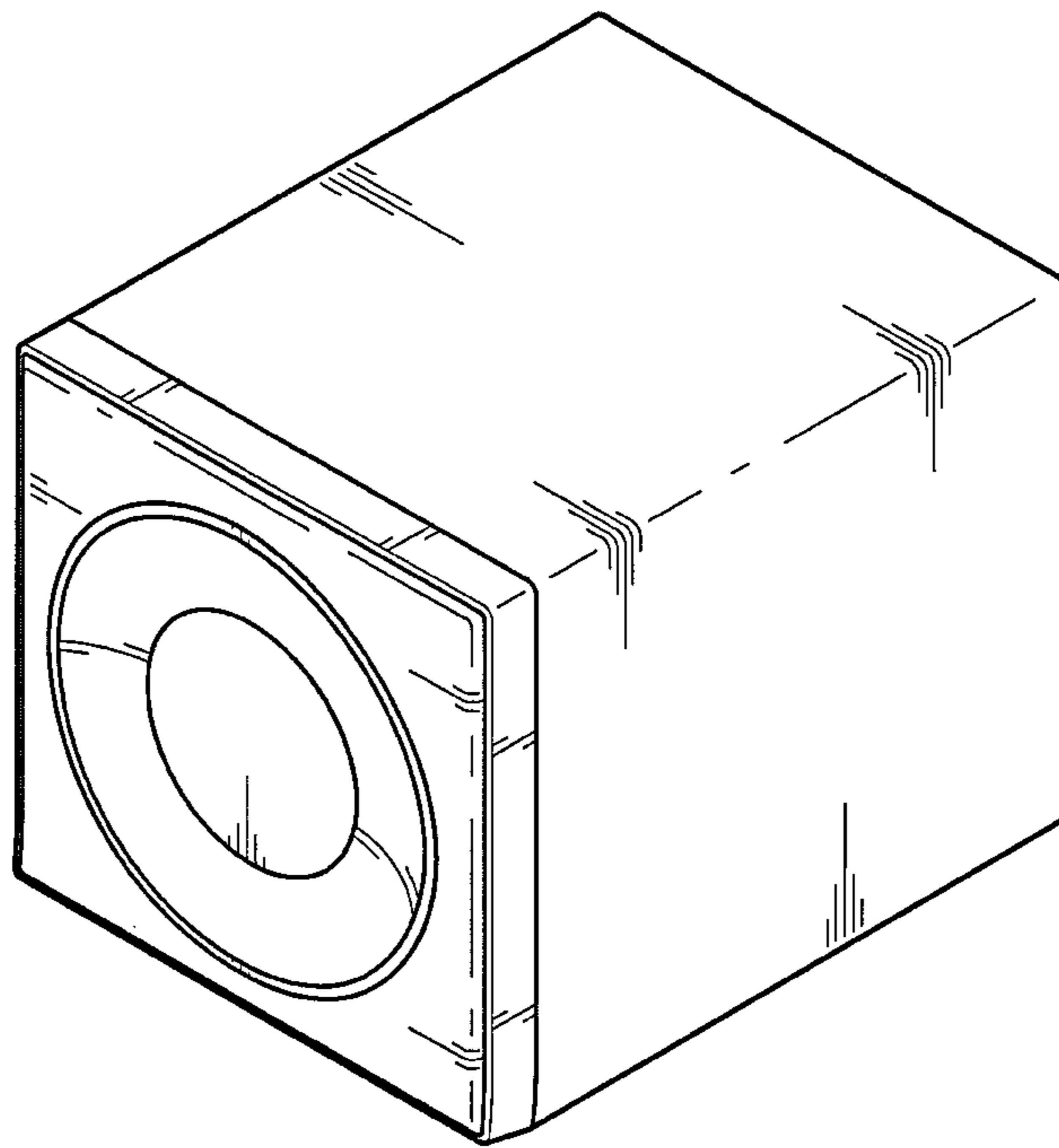


FIG. 16

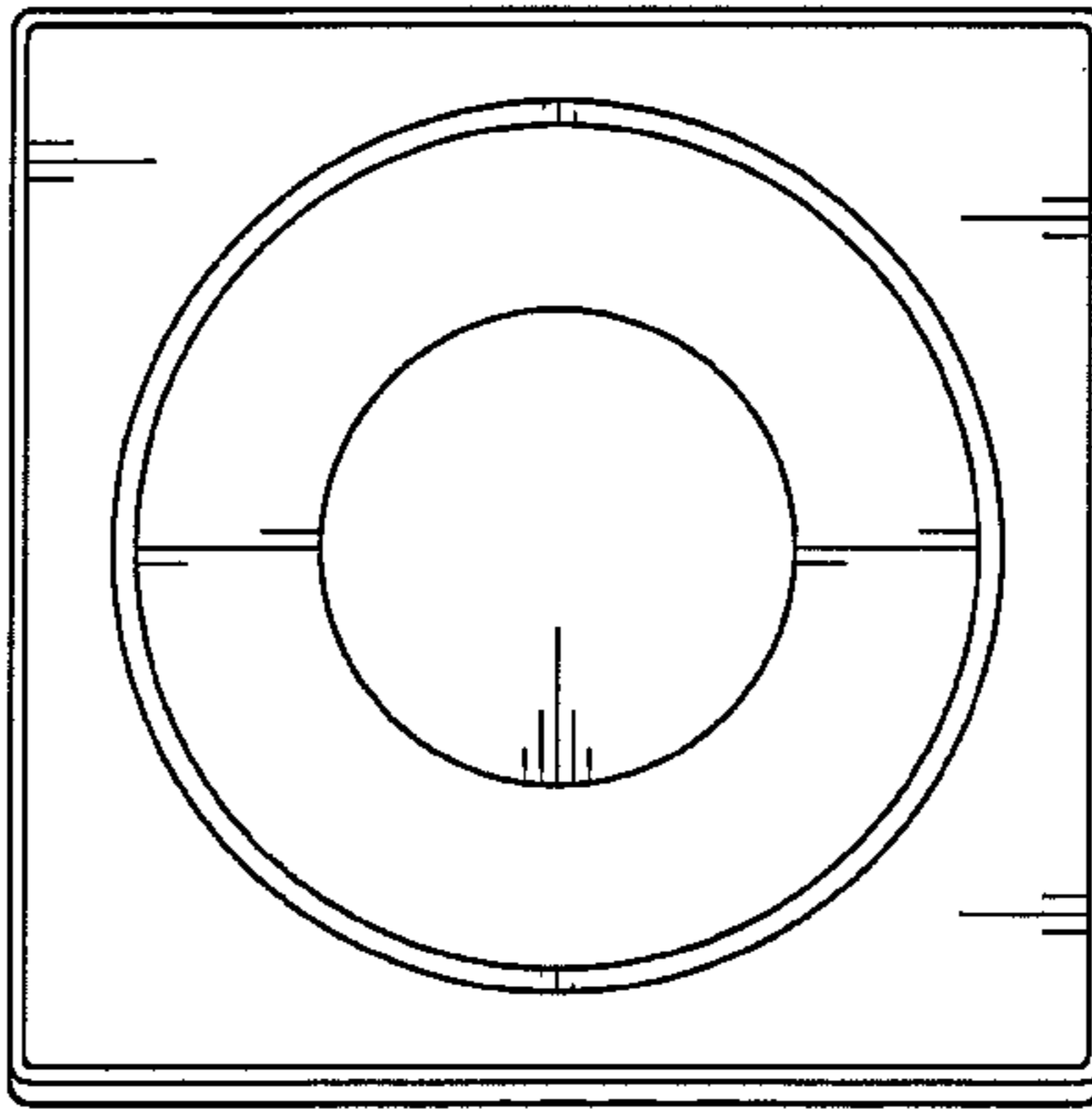


FIG. 17

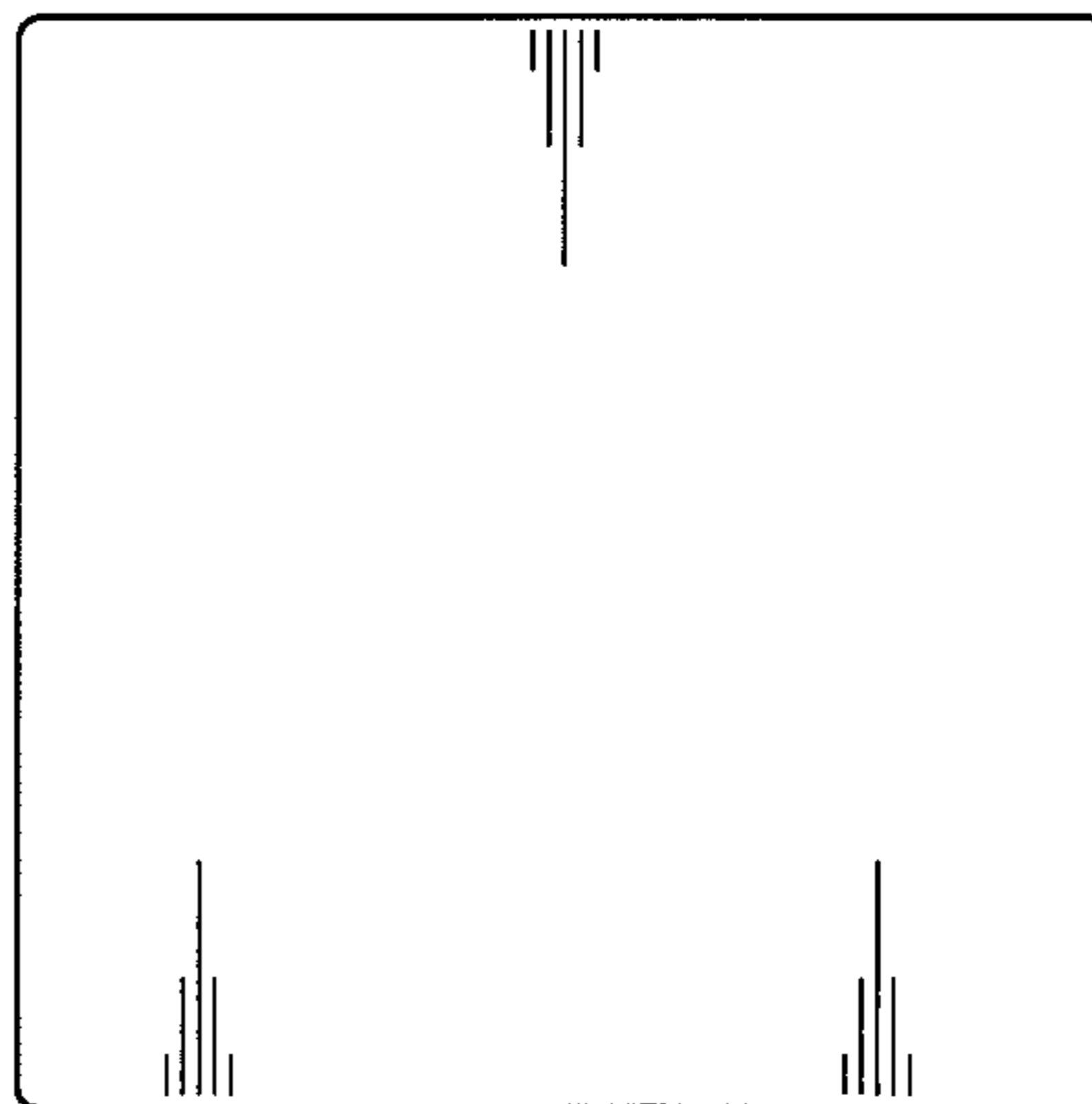


FIG. 18

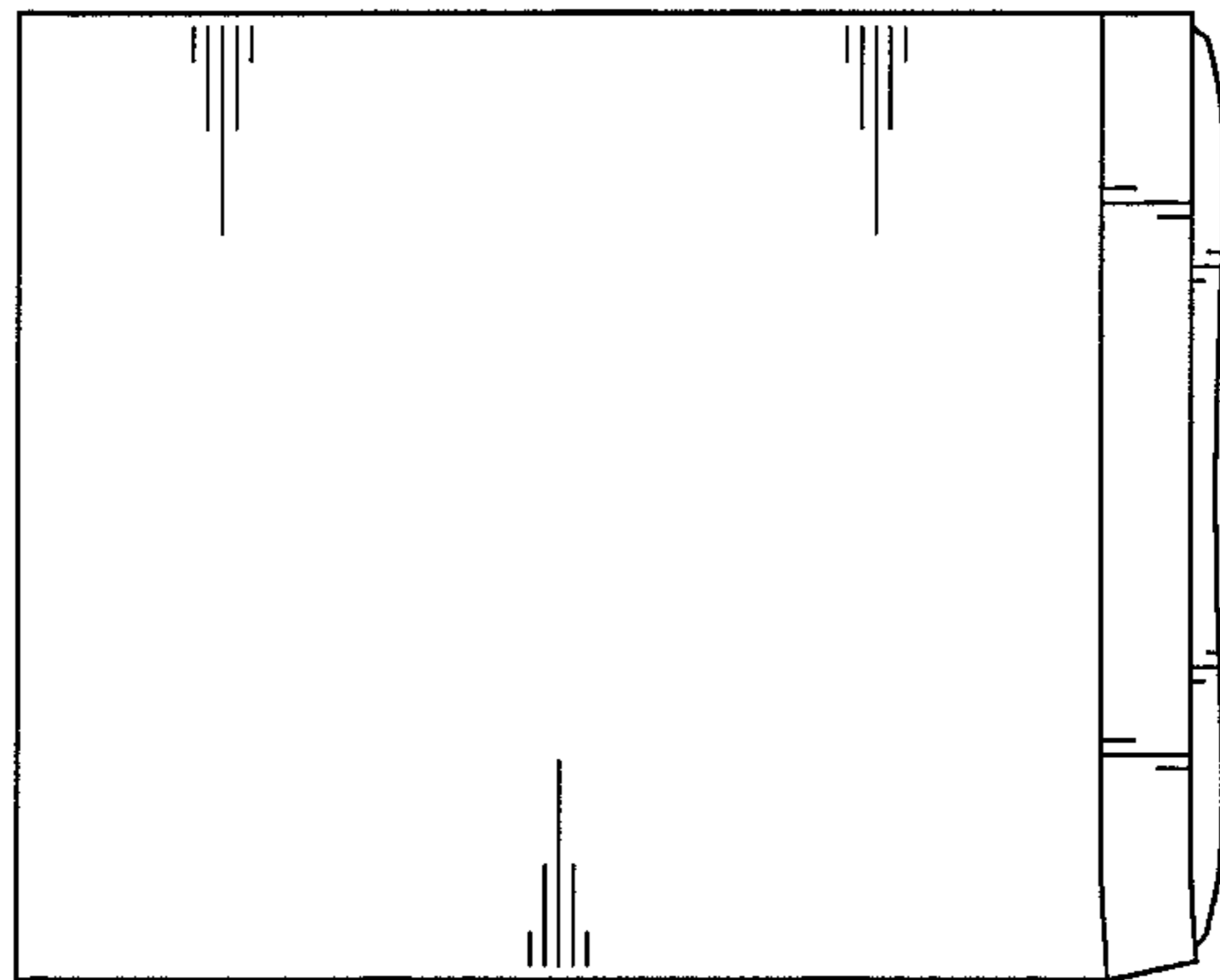


FIG. 19

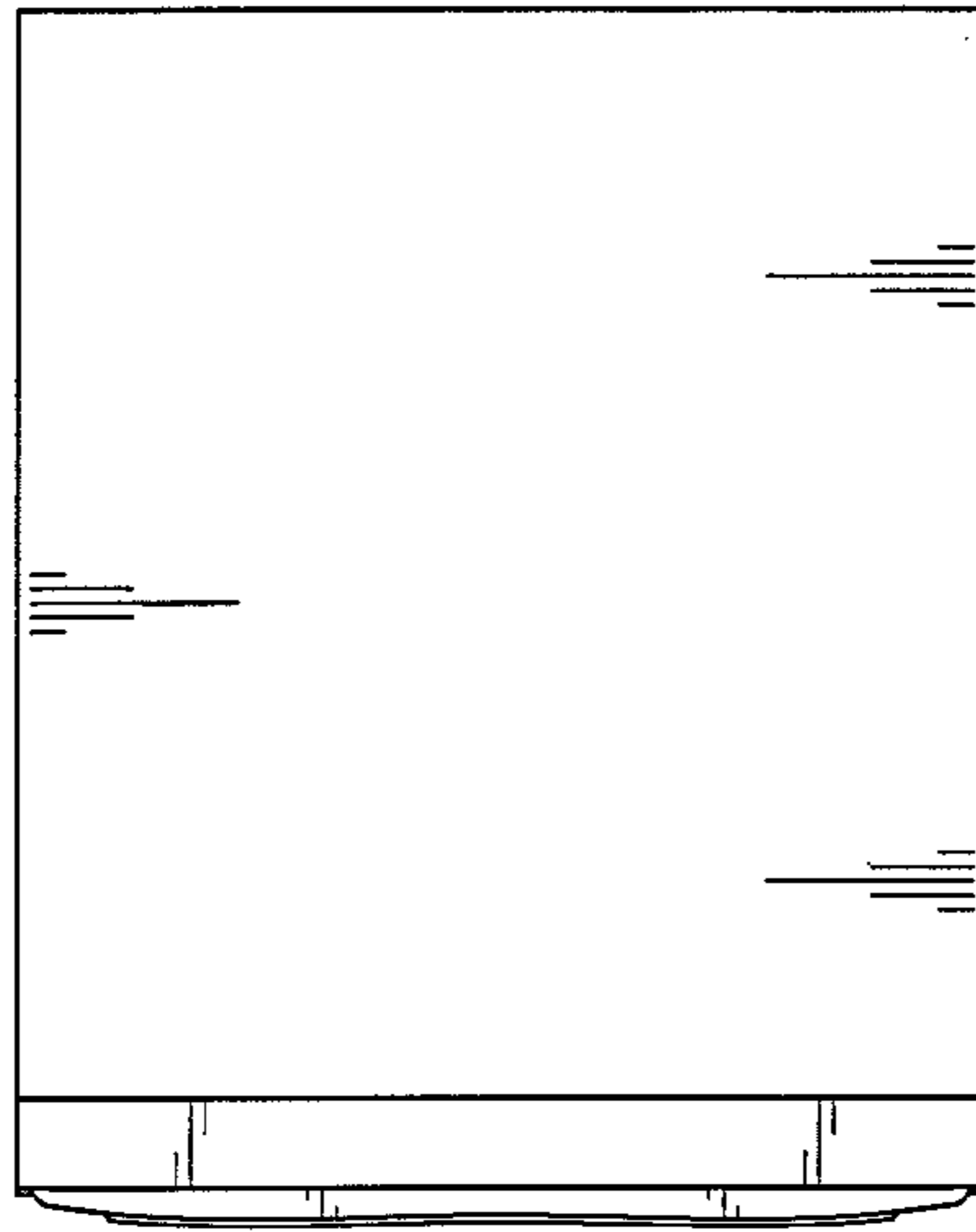


FIG. 20

