



US00D715761S

(12) **United States Design Patent**
Kim et al.

(10) **Patent No.:** **US D715,761 S**
(45) **Date of Patent:** **** Oct. 21, 2014**

(54) **WIRELESS AUDIO**

(71) Applicant: **Samsung Electronics Co., Ltd.**,
Suwon-si (KR)

(72) Inventors: **Ji-Gwang Kim**, Seoul (KR); **Jae-Neung Lee**, Ahnsan-Si (KR); **Joon-Soo Kim**, Seoul (KR)

(73) Assignee: **Samsung Electronics Co., Ltd.**,
Suwon-si (KR)

(**) Term: **14 Years**

(21) Appl. No.: **29/446,890**

(22) Filed: **Feb. 28, 2013**

(30) **Foreign Application Priority Data**

Aug. 29, 2012 (KR) 30-2012-0041600

(51) **LOC (10) Cl.** **14-03**

(52) **U.S. Cl.**
USPC **D14/193**; D14/188; D14/204

(58) **Field of Classification Search**
USPC D14/131, 132, 137, 155, 157, 168–171,
D14/188, 193–195, 197, 198, 204, 210–217,
D14/239, 257, 258, 496, 498–508;
455/90.1–90.3, 344–355; 369/6–12
See application file for complete search history.

(56) **References Cited**

U.S. PATENT DOCUMENTS

D239,339 S * 3/1976 Hamada D14/192
D239,734 S * 4/1976 Vong D14/192

D499,424 S * 12/2004 Bahroocha D14/203.7
D556,186 S * 11/2007 Bhavnani D14/192
D574,795 S * 8/2008 Wlotzka D14/129
D579,915 S * 11/2008 Yeo D14/214
D650,738 S * 12/2011 Leung D13/107
D661,249 S * 6/2012 Smith et al. D13/110
D665,734 S * 8/2012 Fitch et al. D13/107
D677,623 S * 3/2013 Fitch et al. D13/108
D684,926 S * 6/2013 Murchison et al. D13/107
D685,320 S * 7/2013 Murchison et al. D13/107
D685,346 S * 7/2013 Szymanski et al. D14/214
D685,347 S * 7/2013 Szymanski et al. D14/214
D690,286 S * 9/2013 Petersen D14/211

* cited by examiner

Primary Examiner — Keli L Hill

(74) *Attorney, Agent, or Firm* — NSIP Law

(57) **CLAIM**

The ornamental design for a wireless audio, as shown and described.

DESCRIPTION

FIG. 1 is a front perspective view of a wireless audio;
FIG. 2 is a front view of the wireless audio of FIG. 1;
FIG. 3 is a rear view of the wireless audio of FIG. 1;
FIG. 4 is a left-side view of the wireless audio of FIG. 1;
FIG. 5 is a right-side view of the wireless audio of FIG. 1;
FIG. 6 is a top plan view of the wireless audio of FIG. 1;
FIG. 7 is a bottom plan view of the wireless audio of FIG. 1;
FIG. 8 is a rear perspective view of the wireless audio of FIG. 1;
FIG. 9 is a rear perspective view of the wireless audio with the stand in the open position; and,
FIG. 10 is a right-side view of the wireless audio of FIG. 9.

1 Claim, 7 Drawing Sheets

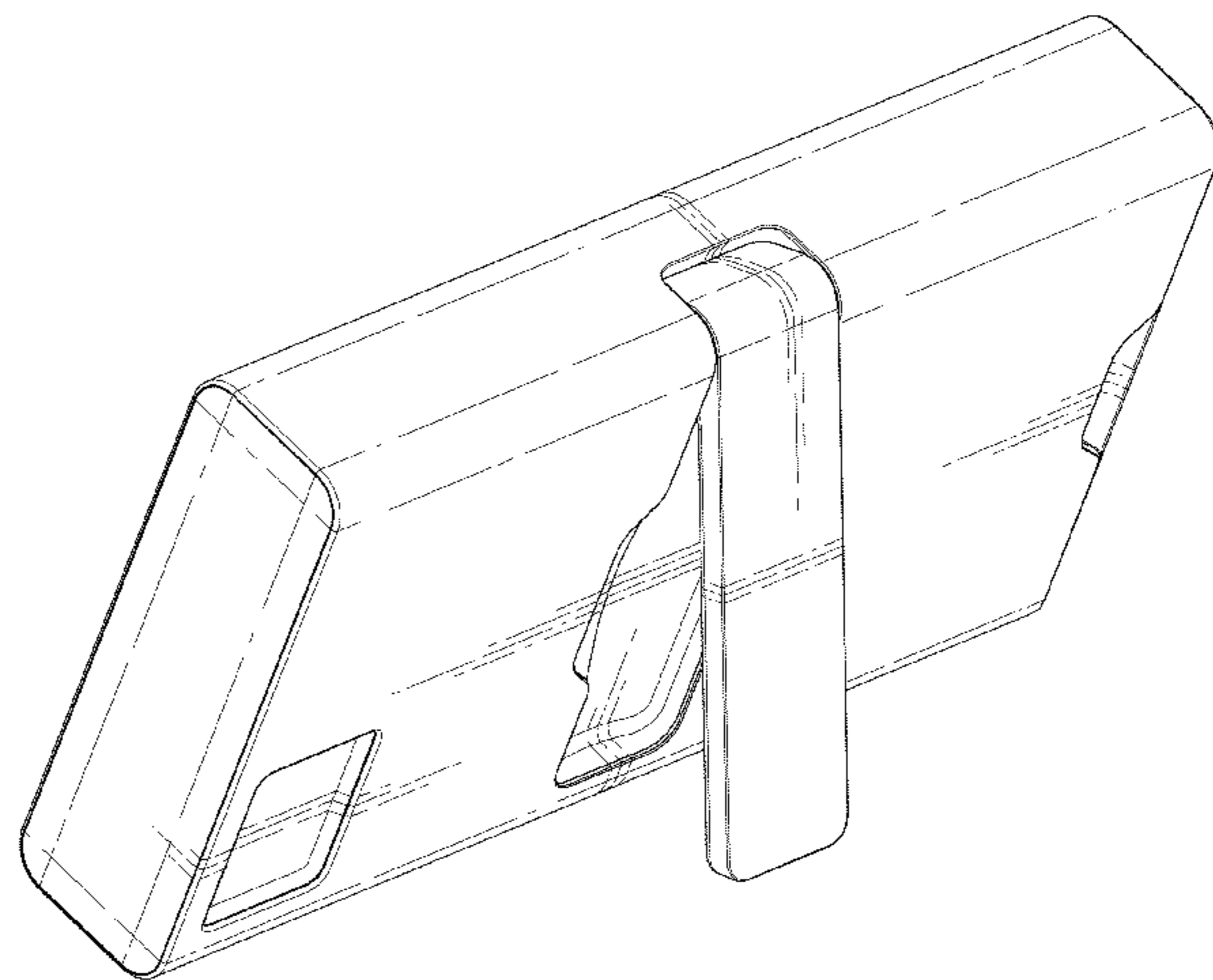
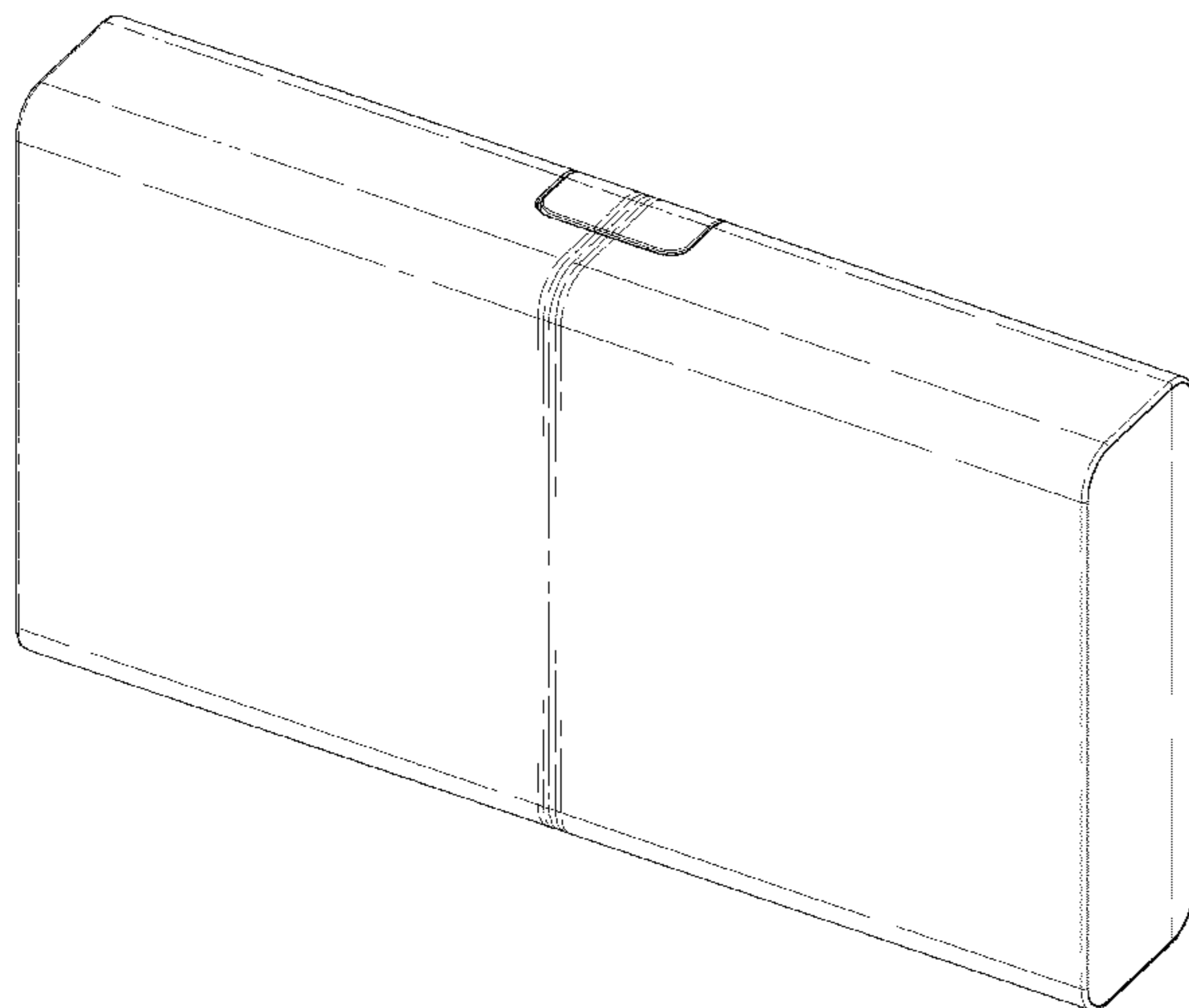


FIG. 1

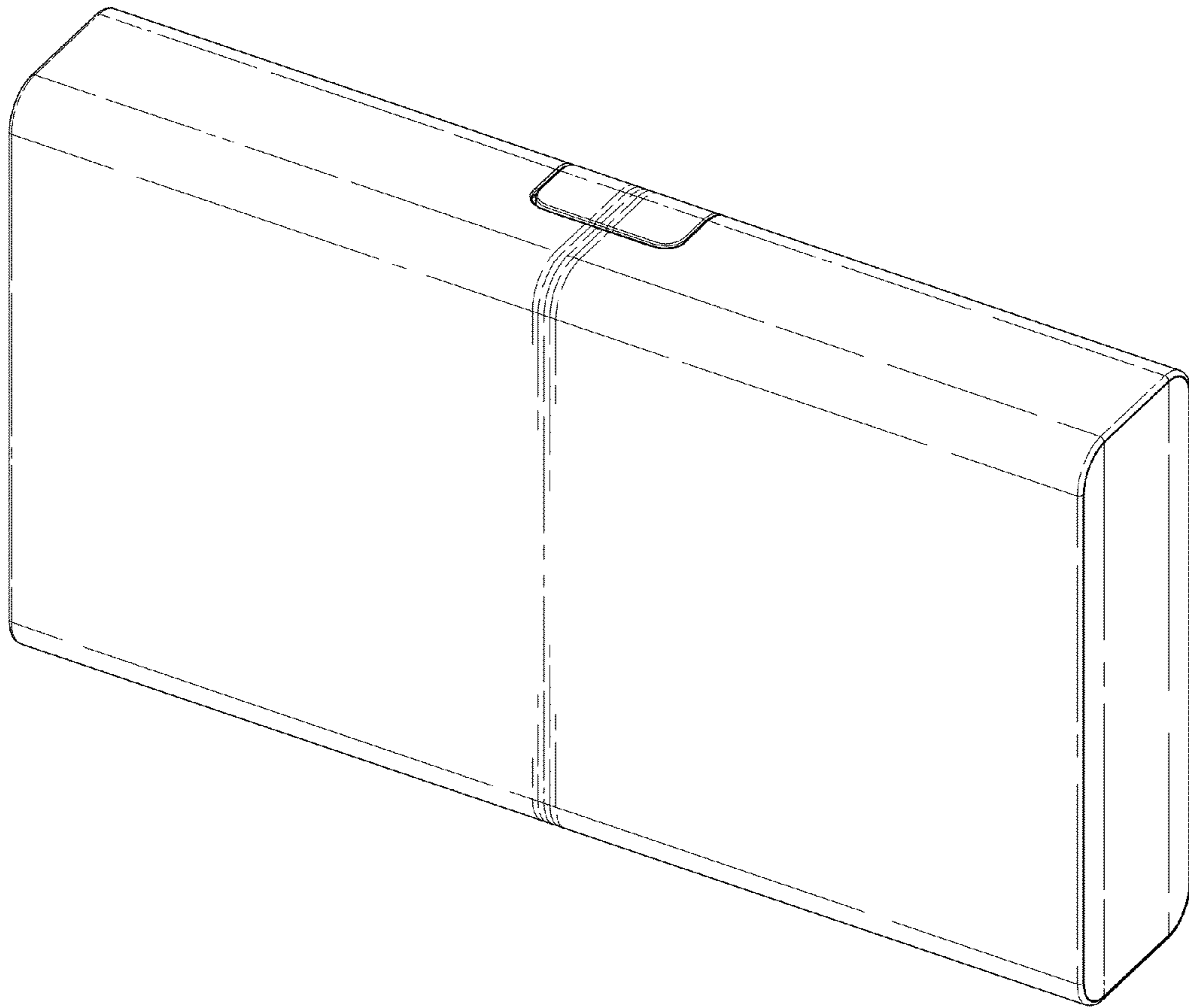


FIG. 2

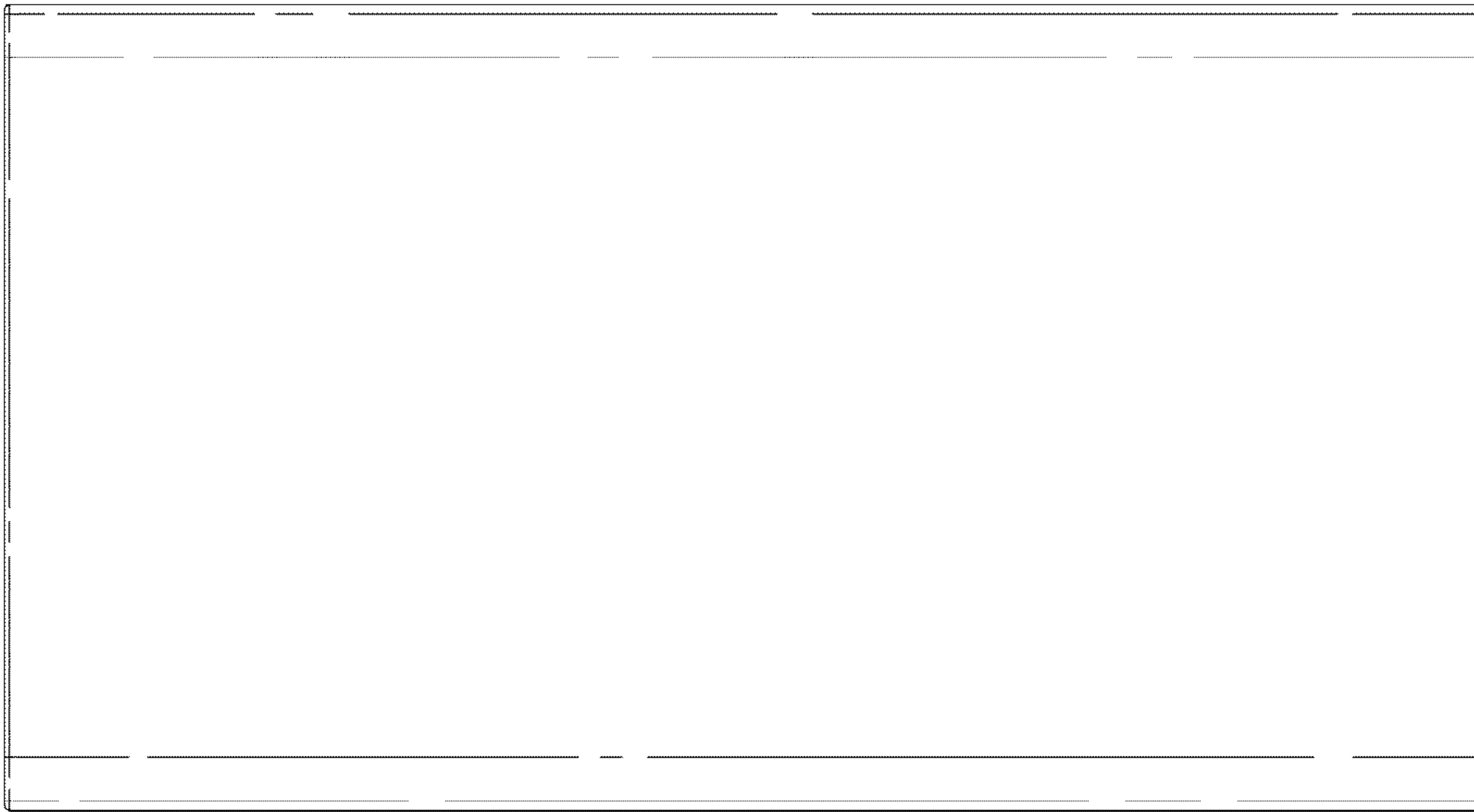


FIG. 3

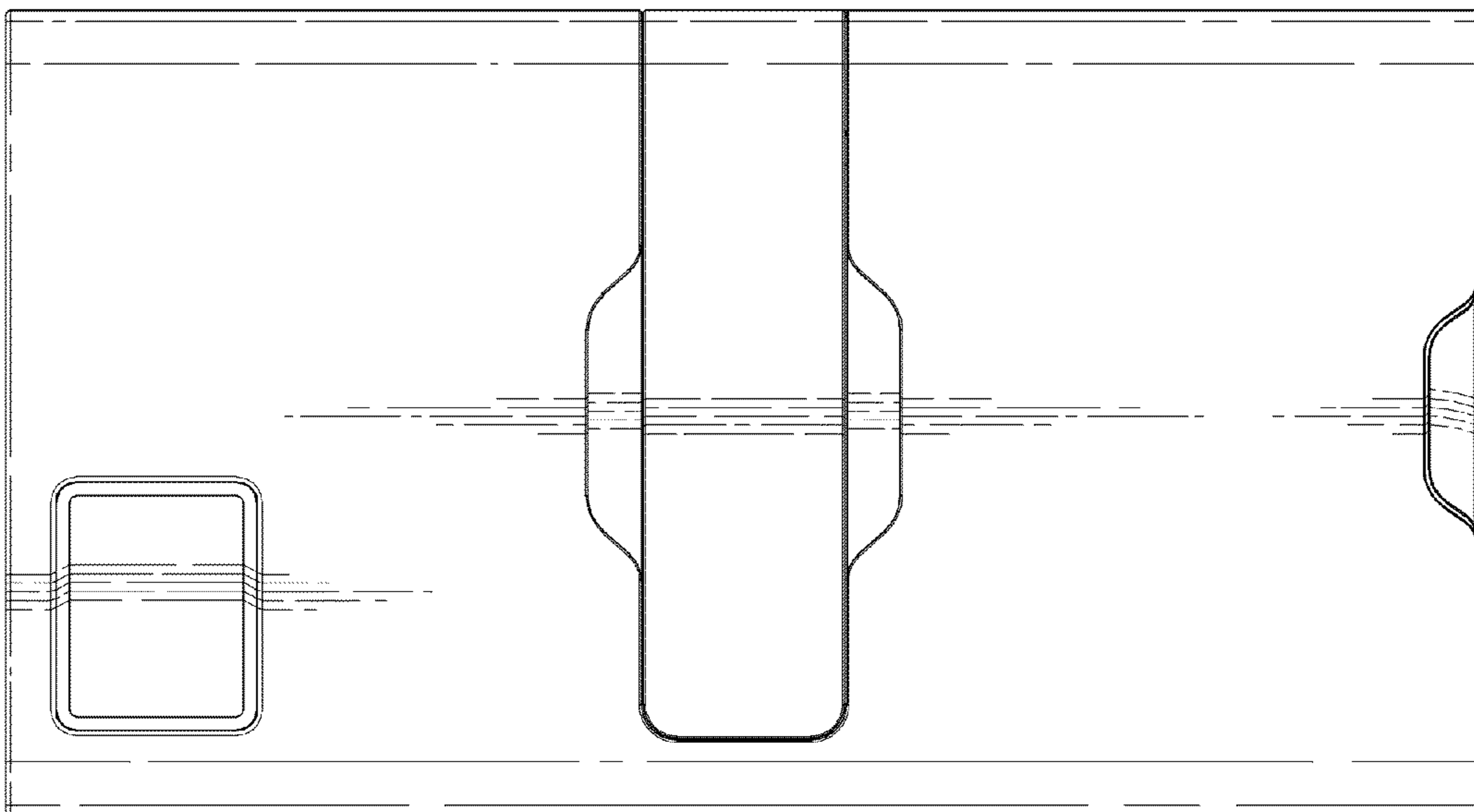


FIG. 4

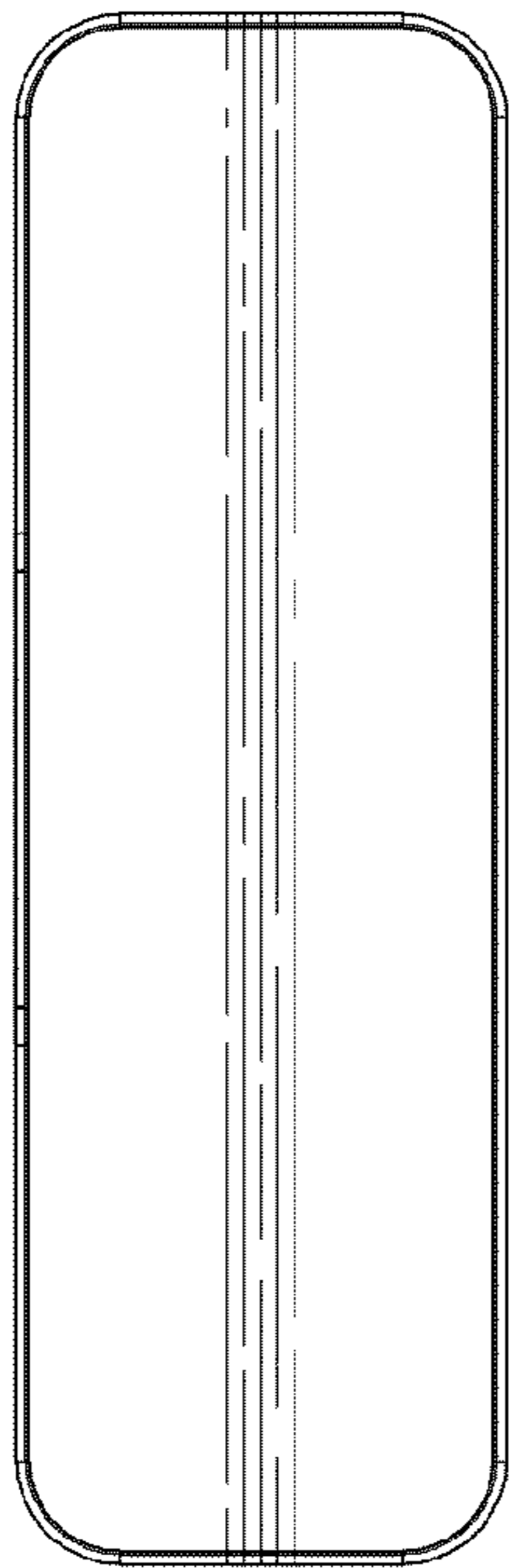


FIG. 5

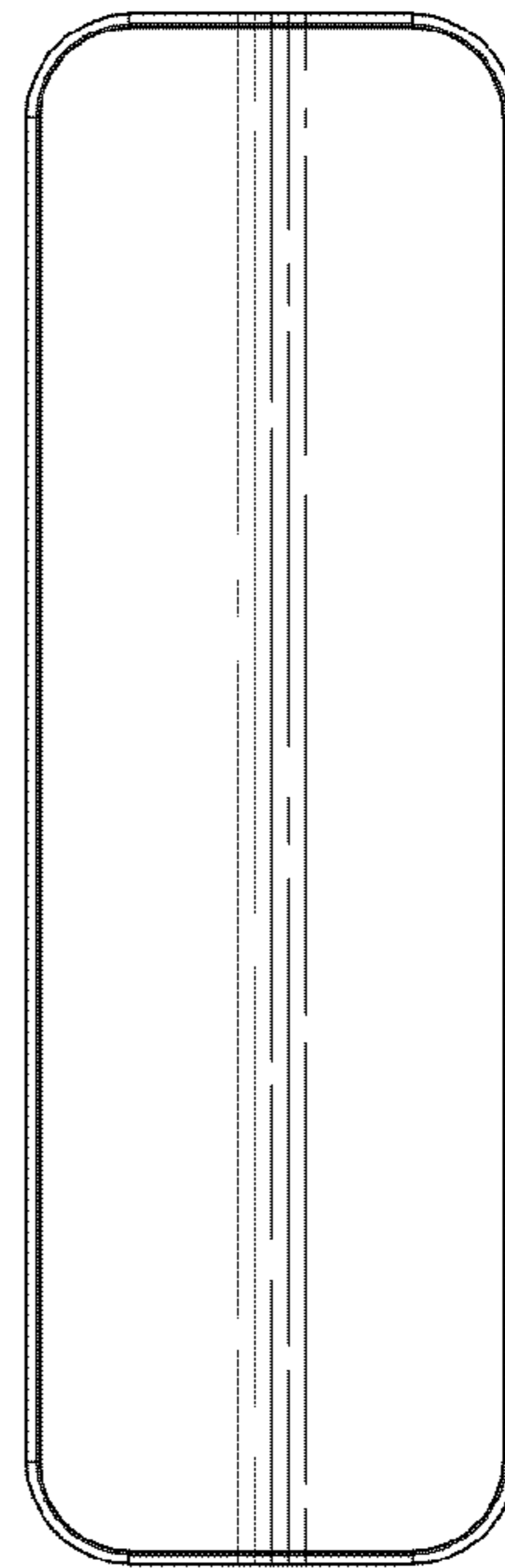


FIG. 6

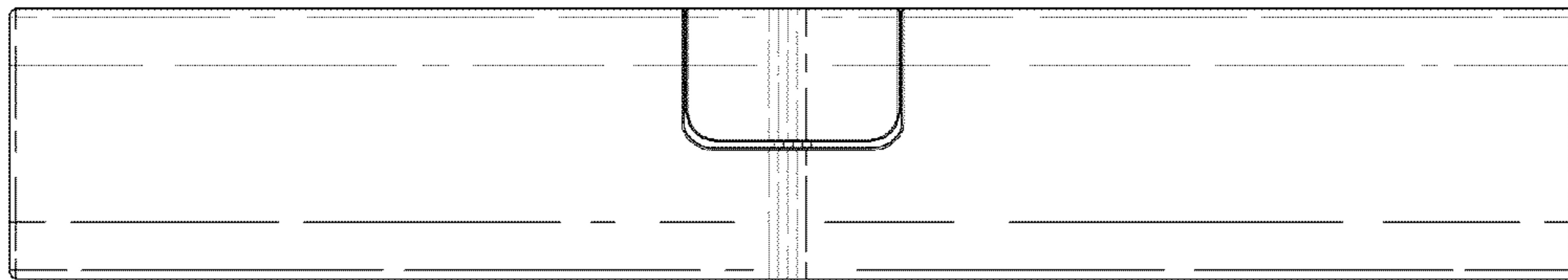


FIG. 7

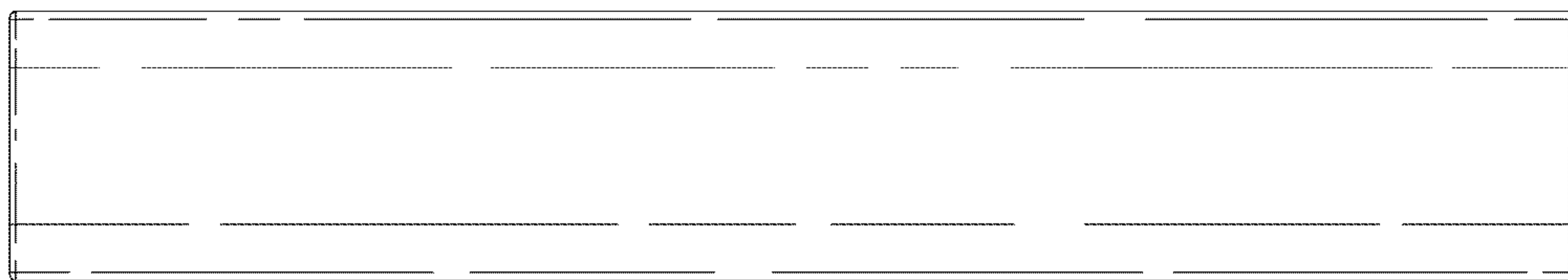


FIG. 8

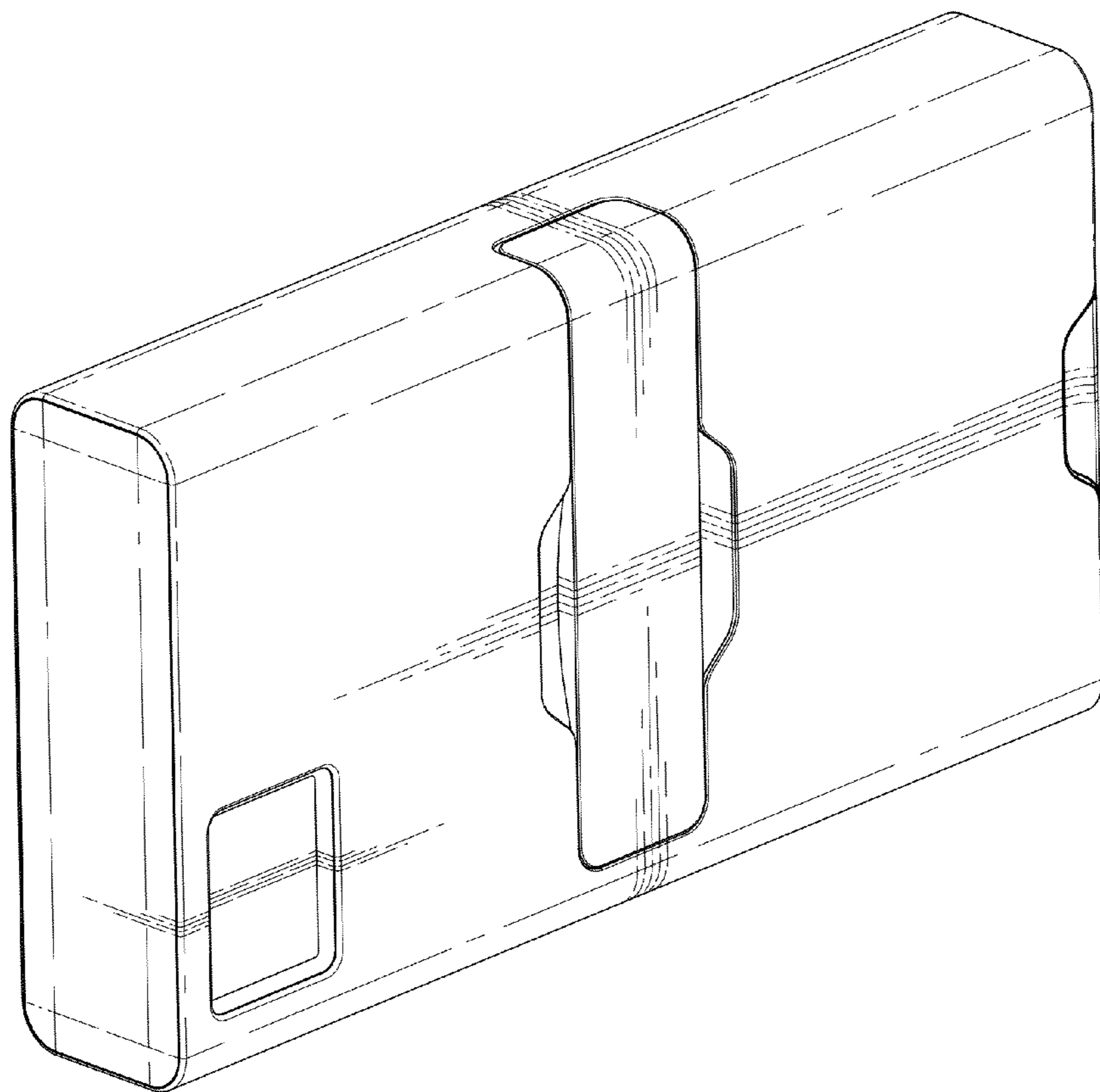


FIG. 9

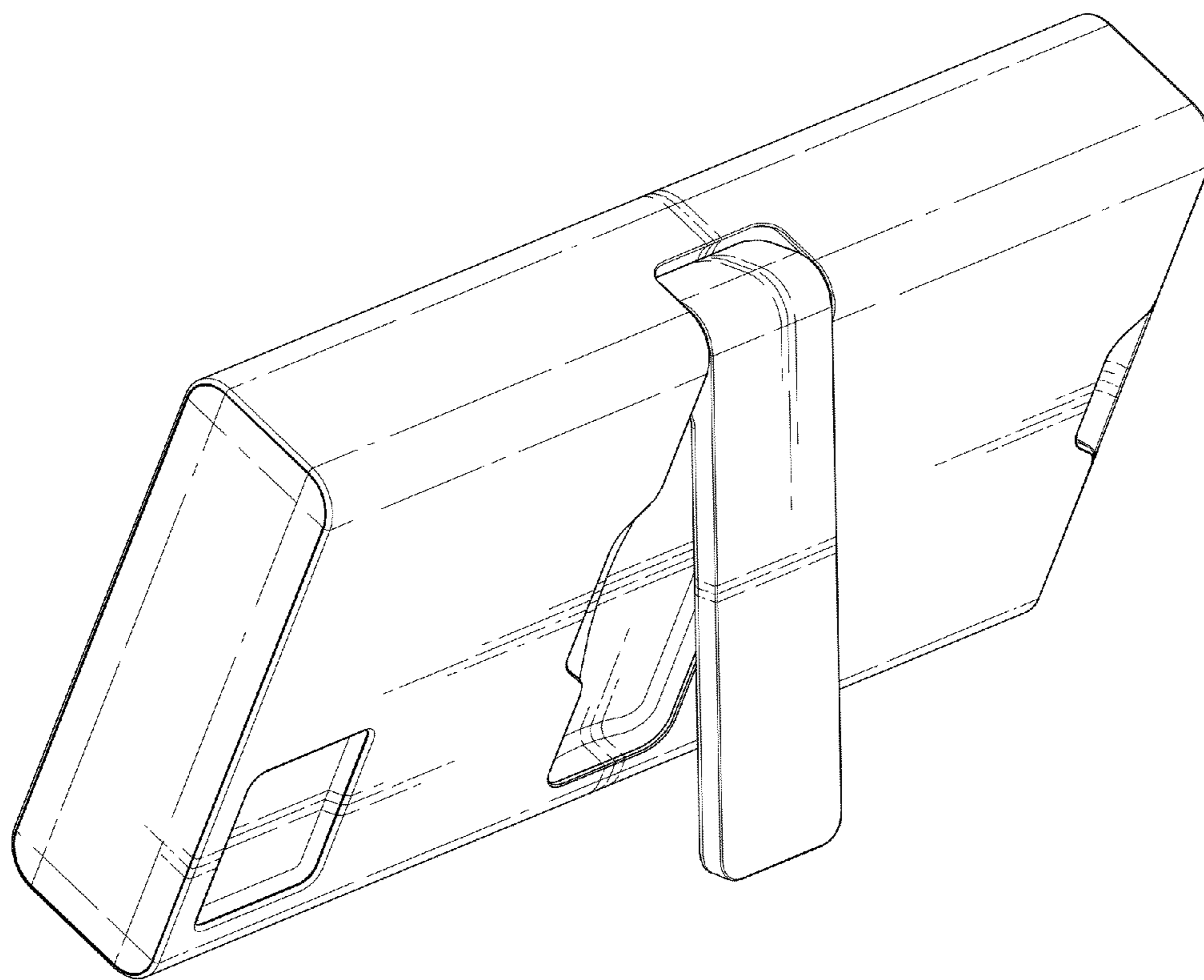


FIG. 10

