



US00D715760S

(12) **United States Design Patent**  
**Kim et al.**

(10) **Patent No.:** **US D715,760 S**

(45) **Date of Patent:** **\*\* Oct. 21, 2014**

(54) **WIRELESS AUDIO**

(71) Applicant: **Samsung Electronics Co., Ltd.**,  
Suwon-si (KR)

(72) Inventors: **Ji-Gwang Kim**, Seoul (KR); **Jae-Neung Lee**, Ahnsan-Si (KR)

(73) Assignee: **Samsung Electronics Co., Ltd.**,  
Suwon-si (KR)

(\*\*) Term: **14 Years**

(21) Appl. No.: **29/446,885**

(22) Filed: **Feb. 28, 2013**

(30) **Foreign Application Priority Data**

Aug. 29, 2012 (KR) ..... 30-2012-0041599

(51) **LOC (10) Cl.** ..... **14-03**

(52) **U.S. Cl.**  
USPC ..... **D14/193; D14/188; D14/216**

(58) **Field of Classification Search**  
USPC ..... D14/131, 132, 137, 155, 157, 168–171,  
D14/188, 193–195, 197, 198, 204, 210–217,  
D14/239, 257, 258, 496, 498–508;  
455/90.1–90.3, 344–355; 369/6–12  
See application file for complete search history.

(56) **References Cited**

U.S. PATENT DOCUMENTS

D239,339 S \* 3/1976 Hamada ..... D14/192  
D239,734 S \* 4/1976 Vong ..... D14/192  
D499,424 S \* 12/2004 Bahroocha ..... D14/203.7

D556,186 S \* 11/2007 Bhavnani ..... D14/192  
D574,795 S \* 8/2008 Wlotzka ..... D14/129  
D579,915 S \* 11/2008 Yeo ..... D14/214  
D650,738 S \* 12/2011 Leung ..... D13/107  
D661,249 S \* 6/2012 Smith et al. .... D13/110  
D665,734 S \* 8/2012 Fitch et al. .... D13/107  
D677,623 S \* 3/2013 Fitch et al. .... D13/108  
D684,926 S \* 6/2013 Murchison et al. .... D13/107  
D685,320 S \* 7/2013 Murchison et al. .... D13/107  
D685,346 S \* 7/2013 Szymanski et al. .... D14/214  
D685,347 S \* 7/2013 Szymanski et al. .... D14/214  
D690,286 S \* 9/2013 Petersen ..... D14/211

\* cited by examiner

*Primary Examiner* — Keli L Hill

(74) *Attorney, Agent, or Firm* — NSIP Law

(57) **CLAIM**

The ornamental design for a wireless audio, as shown and described.

**DESCRIPTION**

FIG. 1 is a front perspective view of a wireless audio;  
FIG. 2 is a front view of the wireless audio of FIG. 1;  
FIG. 3 is a rear view of the wireless audio of FIG. 1;  
FIG. 4 is a left-side view of the wireless audio of FIG. 1;  
FIG. 5 is a right-side view of the wireless audio of FIG. 1;  
FIG. 6 is a top plan view of the wireless audio of FIG. 1;  
FIG. 7 is a bottom plan view of the wireless audio of FIG. 1;  
FIG. 8 is a rear perspective view of the wireless audio of FIG. 1;  
FIG. 9 is a rear perspective view of the wireless audio with the stand in the open position; and,  
FIG. 10 is a right-side view of the wireless audio of FIG. 9.

**1 Claim, 8 Drawing Sheets**

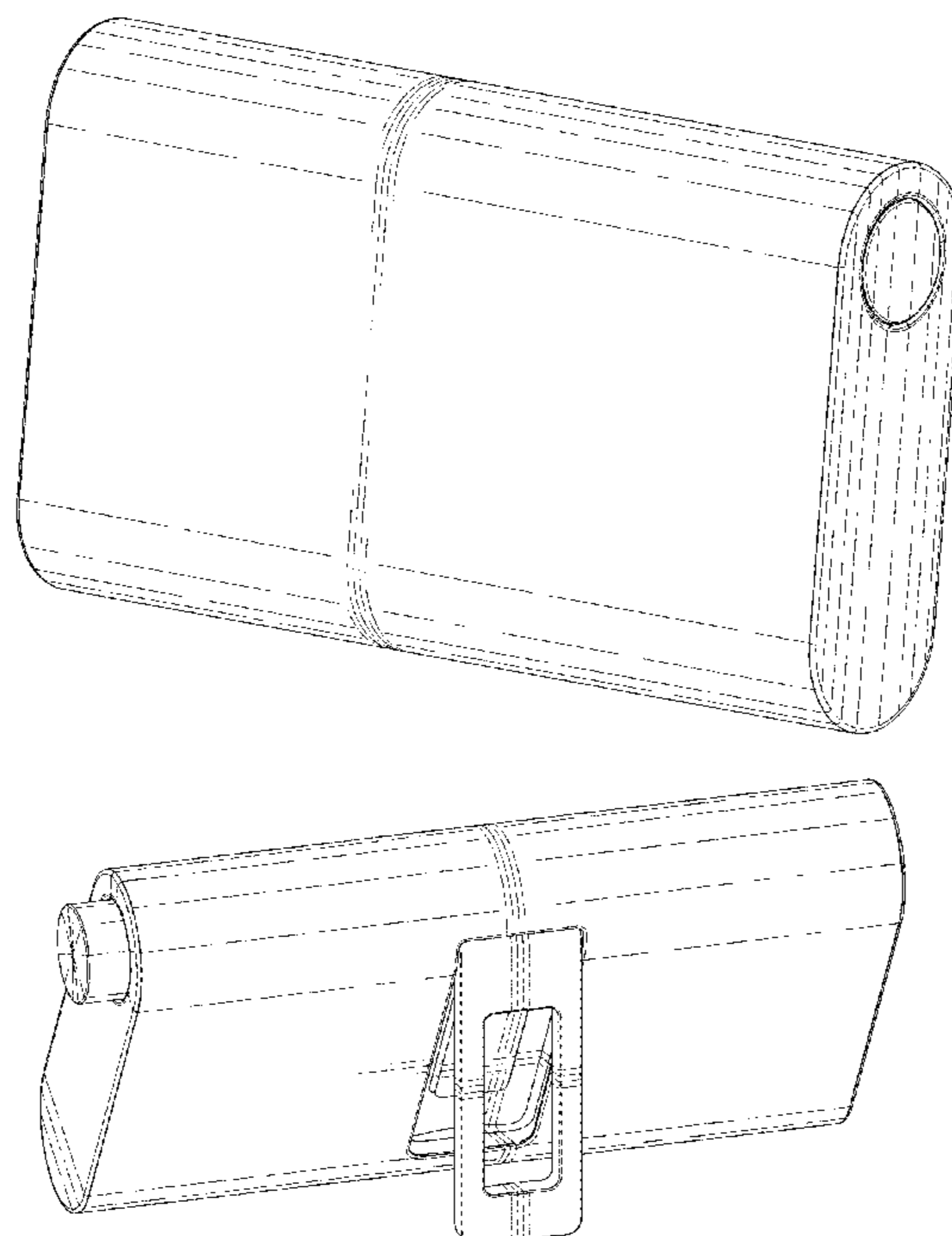


FIG. 1

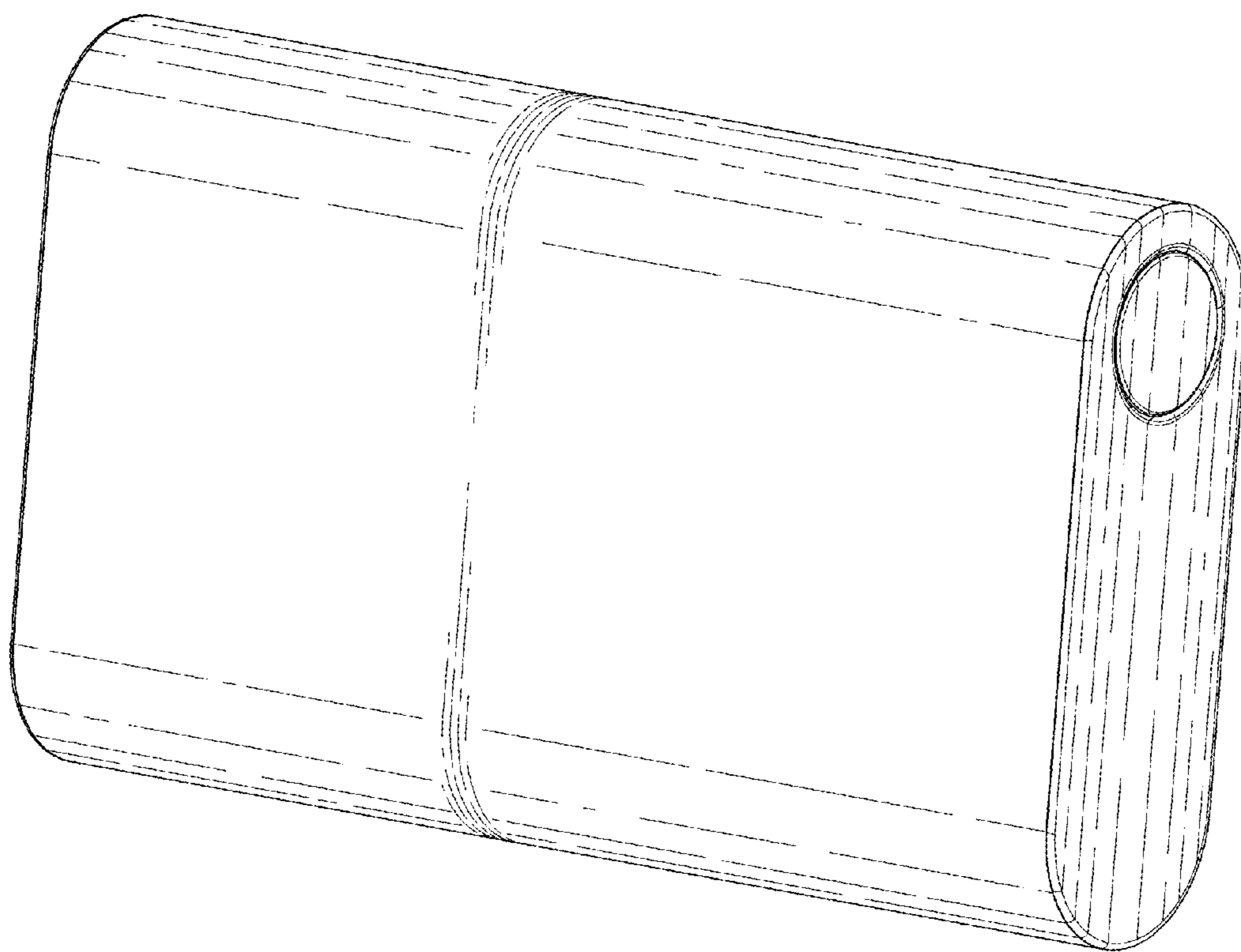


FIG. 2

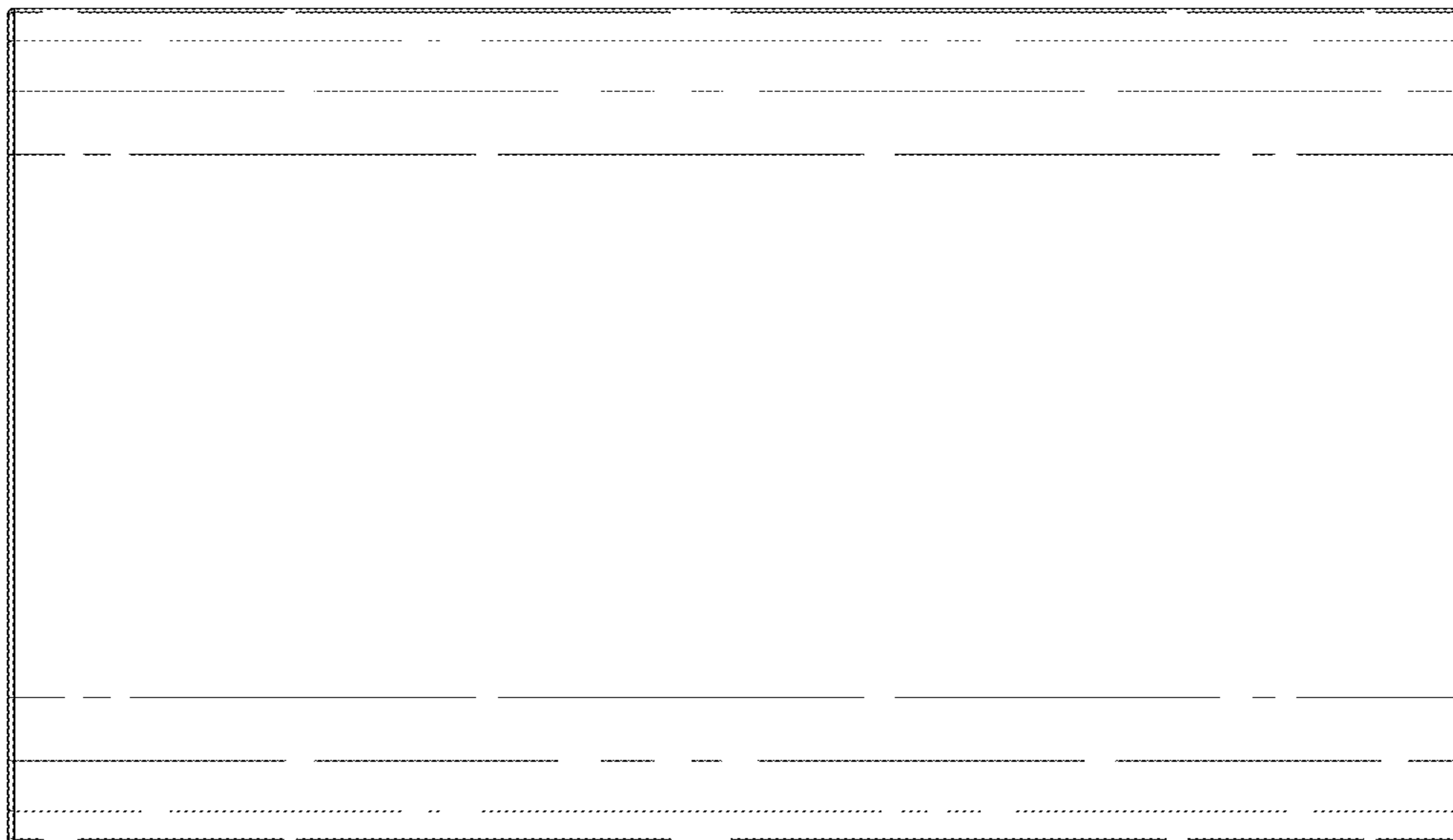


FIG. 3

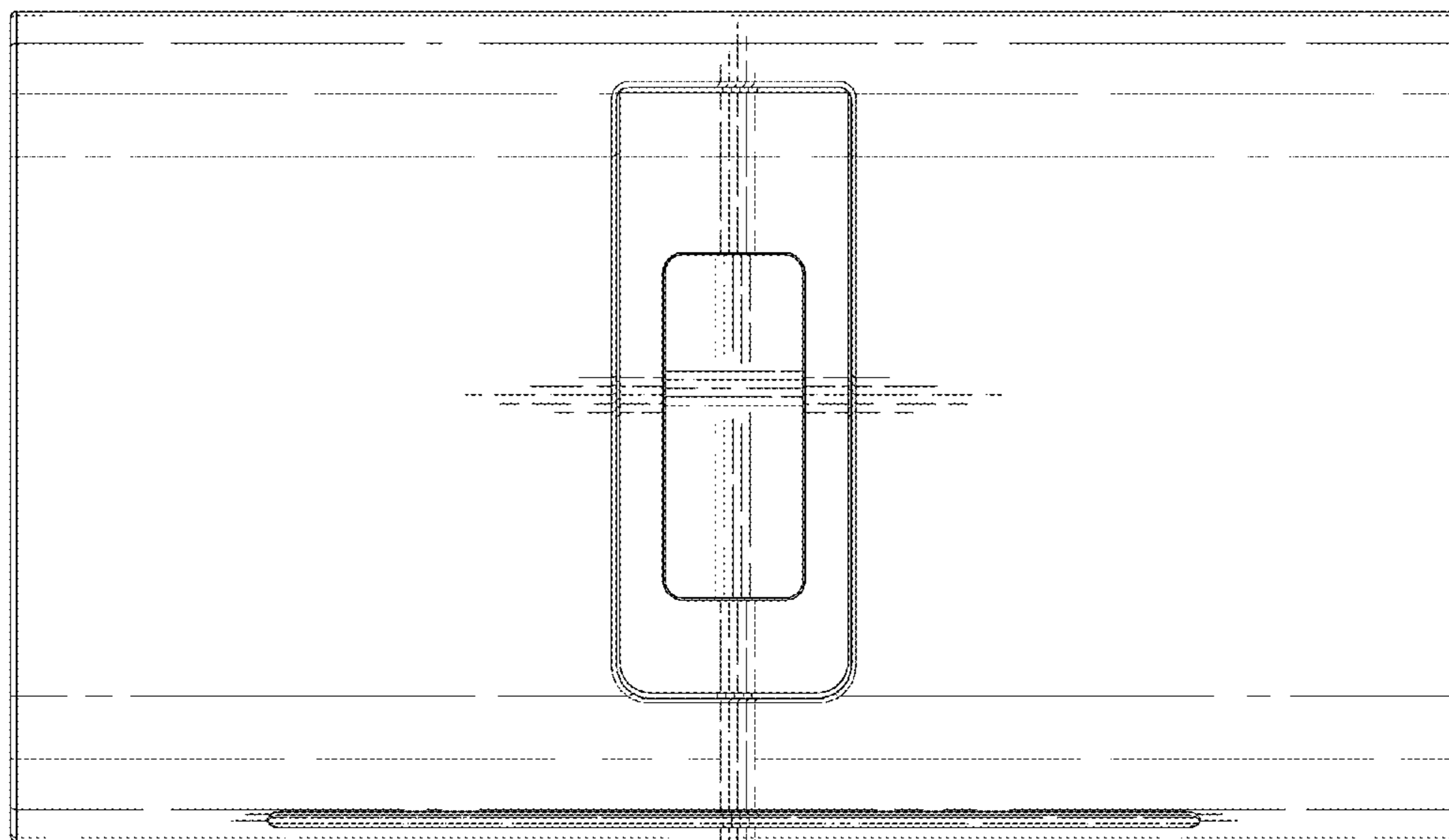


FIG. 4

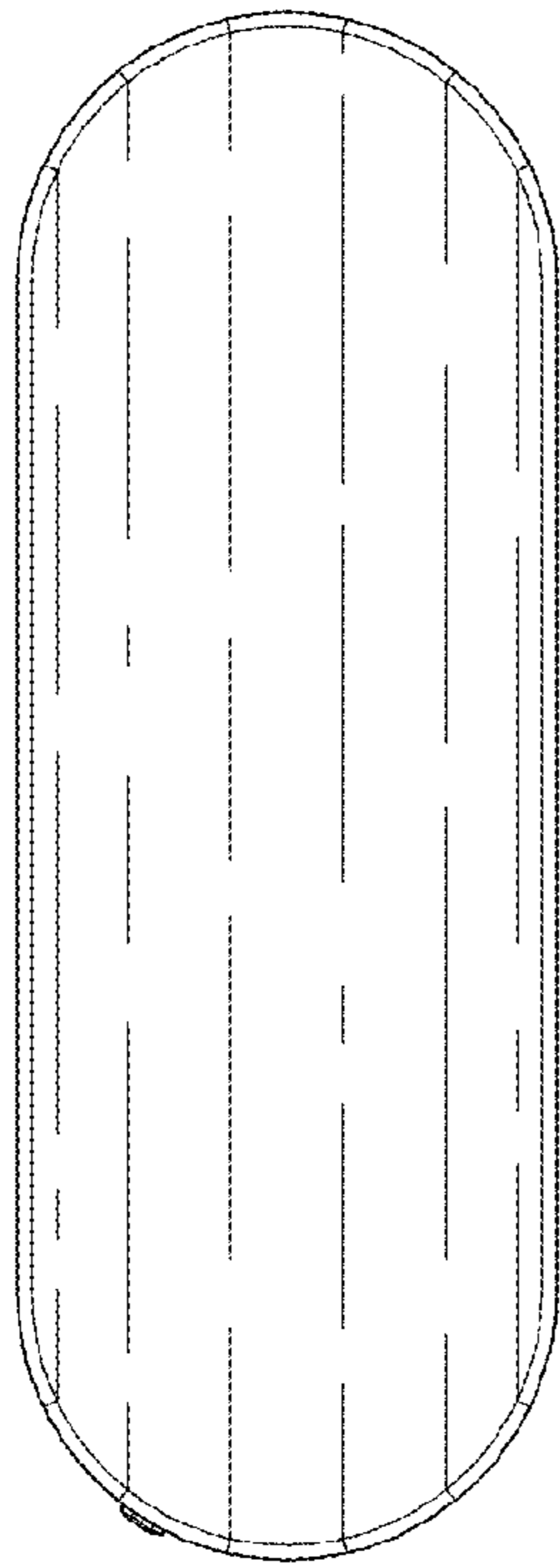


FIG. 5

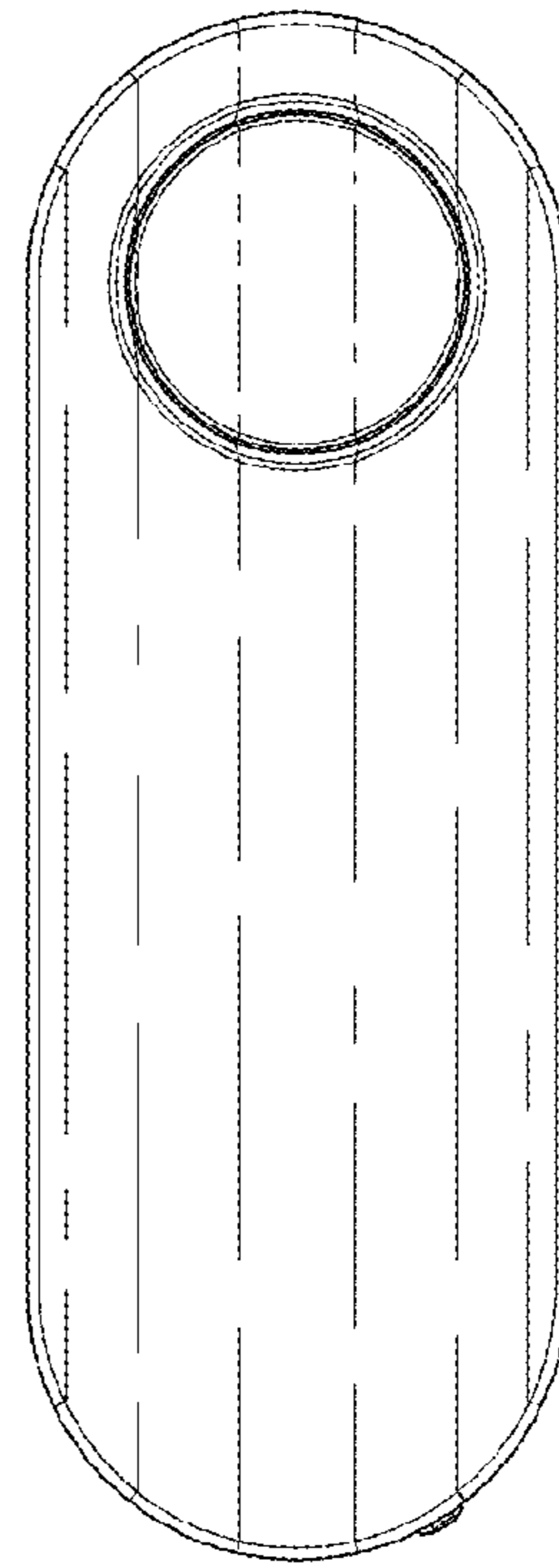


FIG. 6

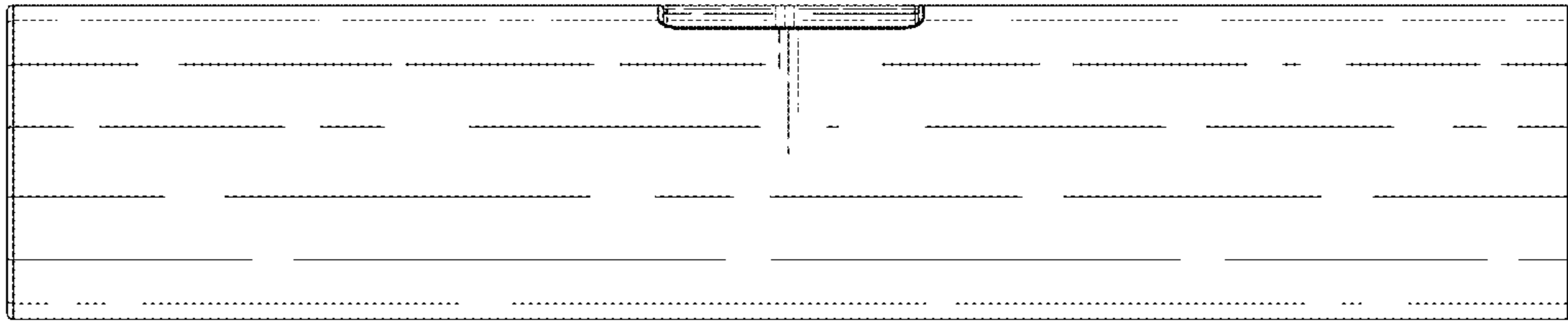


FIG. 7

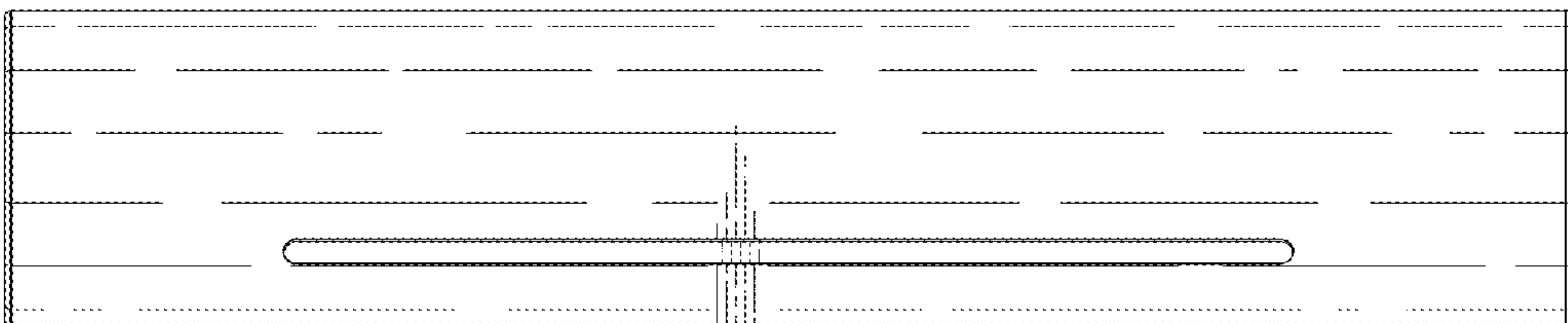


FIG. 8

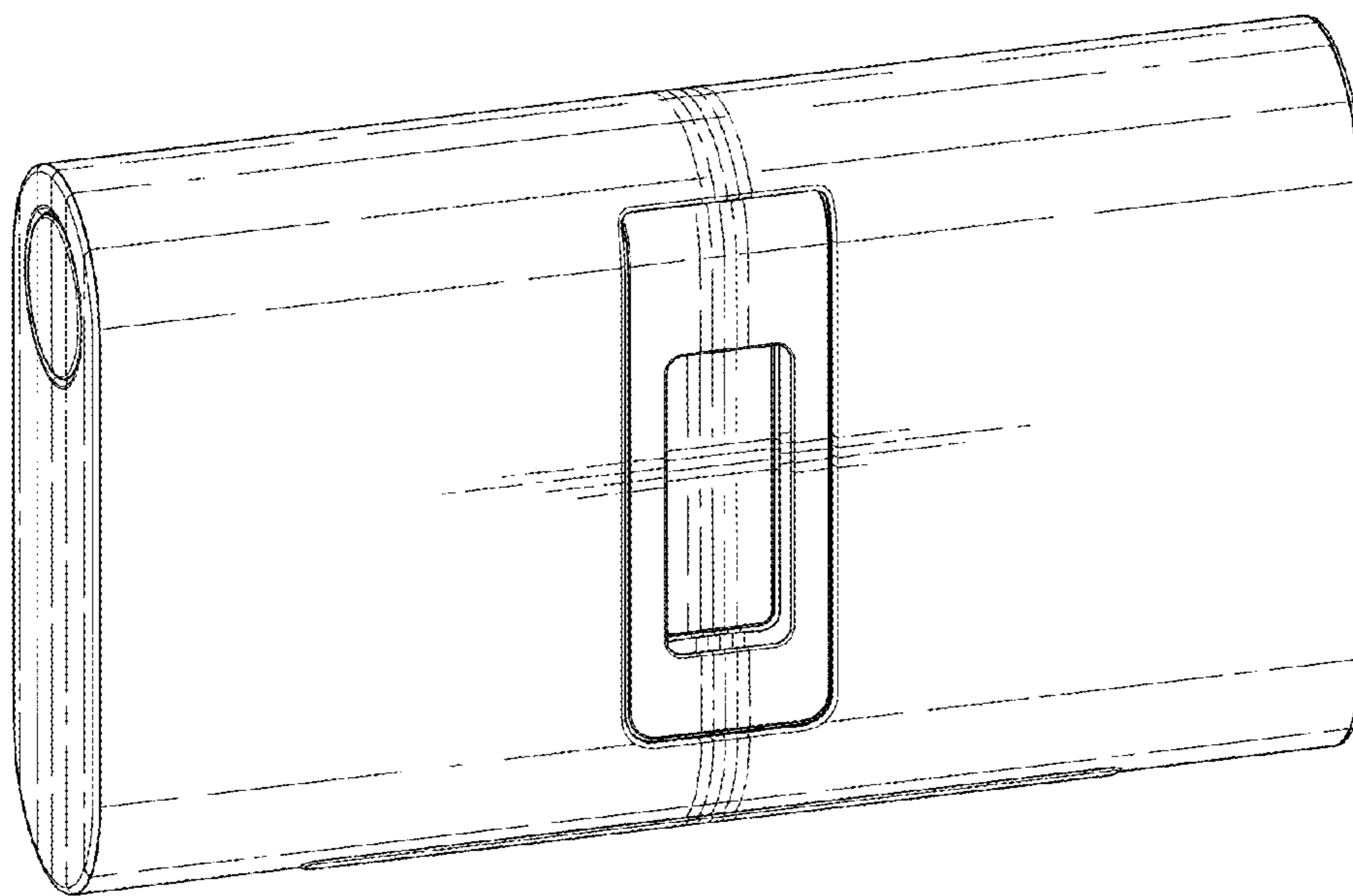


FIG. 9

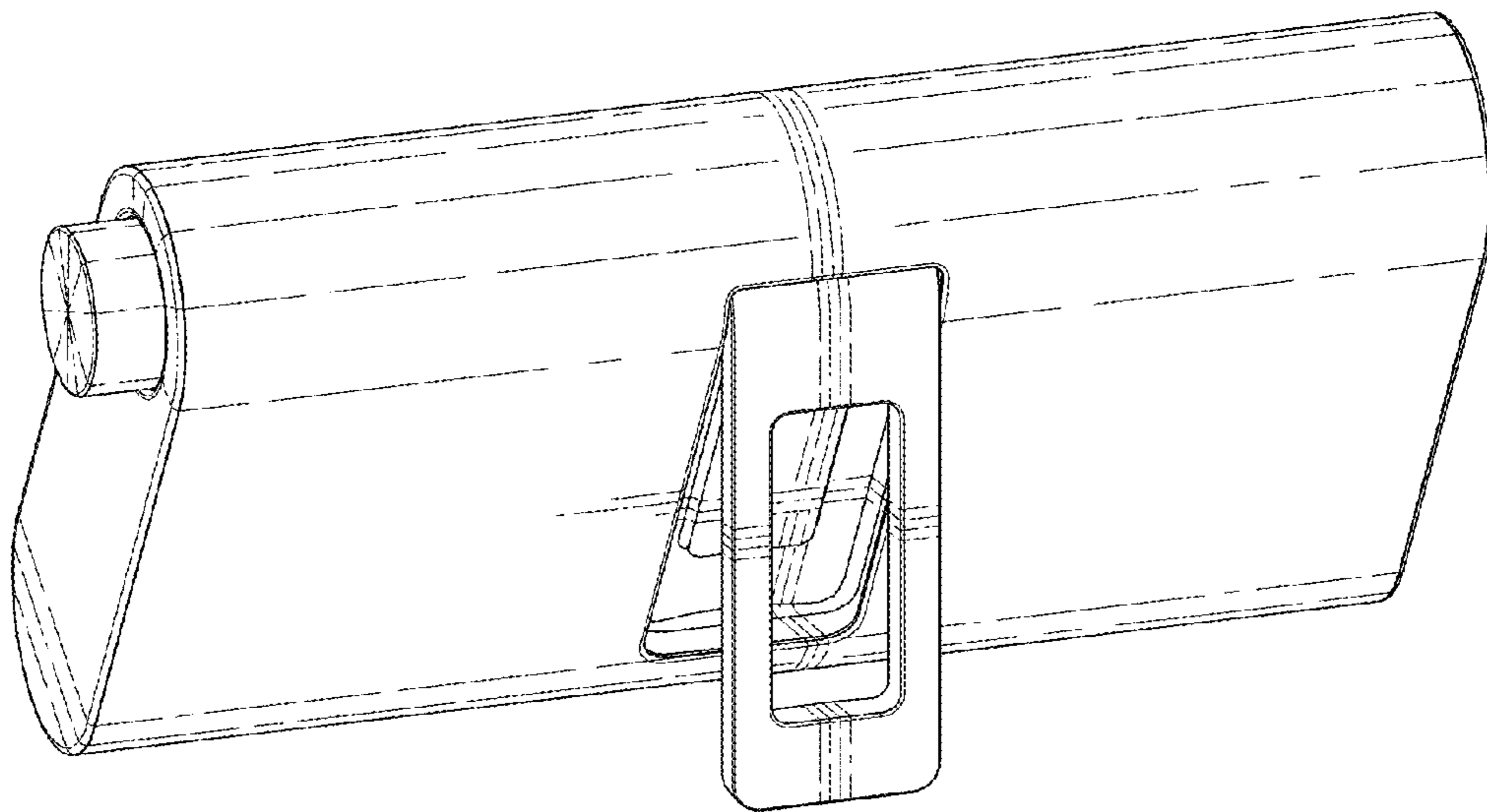




FIG. 10

