



US00D715756S

(12) **United States Design Patent**  
**Lim et al.**

(10) **Patent No.:** **US D715,756 S**  
(45) **Date of Patent:** **\*\* Oct. 21, 2014**

(54) **TELEVISION RECEIVER WITH COMPUTER**

(56) **References Cited**

(71) Applicant: **LG Electronics Inc.**, Seoul (KR)

U.S. PATENT DOCUMENTS

(72) Inventors: **Jaewon Lim**, Gyeonggi-do (KR);  
**Gangho Woo**, Seoul (KR); **Banhee Lee**,  
Seoul (KR)

|              |         |                       |         |
|--------------|---------|-----------------------|---------|
| D554,599 S * | 11/2007 | Otsuka et al. ....    | D14/126 |
| D574,341 S * | 8/2008  | Kuramashi et al. .... | D14/126 |
| D610,561 S * | 2/2010  | Yamaguchi et al. .... | D14/126 |
| D661,671 S * | 6/2012  | Laube et al. ....     | D14/126 |
| D677,637 S * | 3/2013  | Kubota .....          | D14/126 |
| D680,509 S * | 4/2013  | Hwangbo et al. ....   | D14/126 |
| D680,980 S * | 4/2013  | Park .....            | D14/126 |
| D682,799 S * | 5/2013  | Hwang Bo et al. ....  | D14/126 |
| D689,033 S * | 9/2013  | Hwangbo et al. ....   | D14/126 |
| D695,243 S * | 12/2013 | Lewis .....           | D14/126 |
| D701,185 S * | 3/2014  | McManigal .....       | D14/126 |
| D709,044 S * | 7/2014  | Takami et al. ....    | D14/126 |
| D709,045 S * | 7/2014  | Itou et al. ....      | D14/126 |

(73) Assignee: **LG Electronics Inc.**, Seoul (KR)

(\*\*) Term: **14 Years**

(21) Appl. No.: **29/494,875**

(22) Filed: **Jun. 25, 2014**

\* cited by examiner

(30) **Foreign Application Priority Data**

*Primary Examiner* — Raphael Barkai

Dec. 26, 2013 (KR) ..... 30-2013-0065498

(74) *Attorney, Agent, or Firm* — Morgan, Lewis & Bockius LLP

(51) **LOC (10) Cl.** ..... **14-03**

(57) **CLAIM**

(52) **U.S. Cl.**  
USPC ..... **D14/126**

The ornamental design for a television receiver with computer, as shown and described.

(58) **Field of Classification Search**

**DESCRIPTION**

CPC ... G06F 1/1601; G06F 1/1643; H05K 5/0004;  
H05K 5/0017; H05K 5/02; H05K 5/0217  
USPC ..... D14/125-134, 239, 371, 136, 374-377,  
D14/440, 450, 448, 336, 342, 159; 312/7.2;  
348/836, 838, 180, 184, 325, 739;  
248/917-924, 465; 345/104, 133, 156,  
345/168, 87, 173; D21/329, 515, 577, 622,  
D21/333, 433, 448, 452, 450, 331, 505;  
D10/15, 26; 446/484, 175, 356;  
D6/477, 479, 300

FIG. 1 is a perspective view of a television receiver with computer showing our new design;  
FIG. 2 is a front view thereof;  
FIG. 3 is a rear view thereof;  
FIG. 4 is a left side view thereof;  
FIG. 5 is a right side view thereof;  
FIG. 6 is a top plan view thereof;  
FIG. 7 is a bottom plan view thereof; and,  
FIG. 8 is a rear perspective view thereof.  
The broken lines show unclaimed subject matter only and form no part of the claimed design.

See application file for complete search history.

**1 Claim, 7 Drawing Sheets**

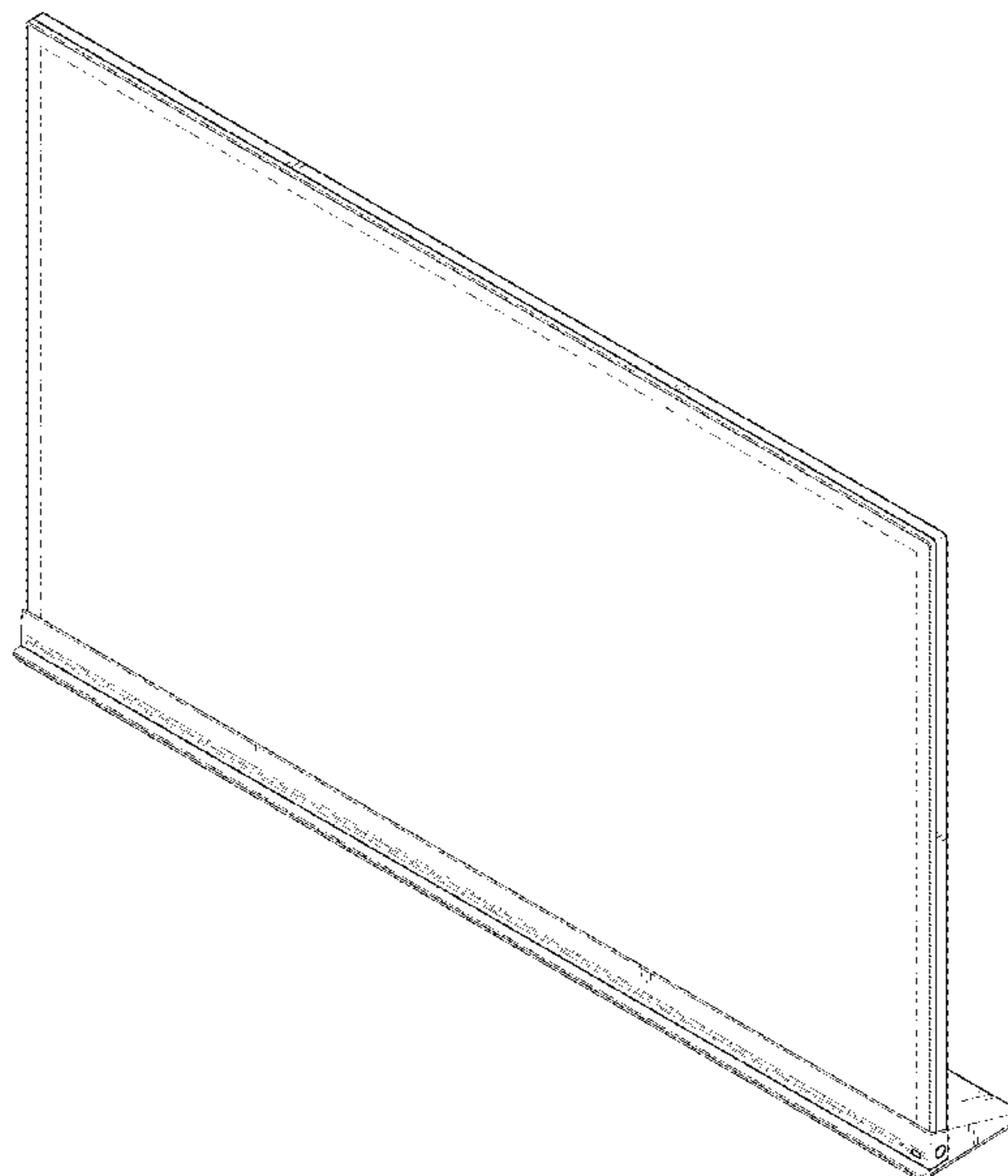


FIG. 1

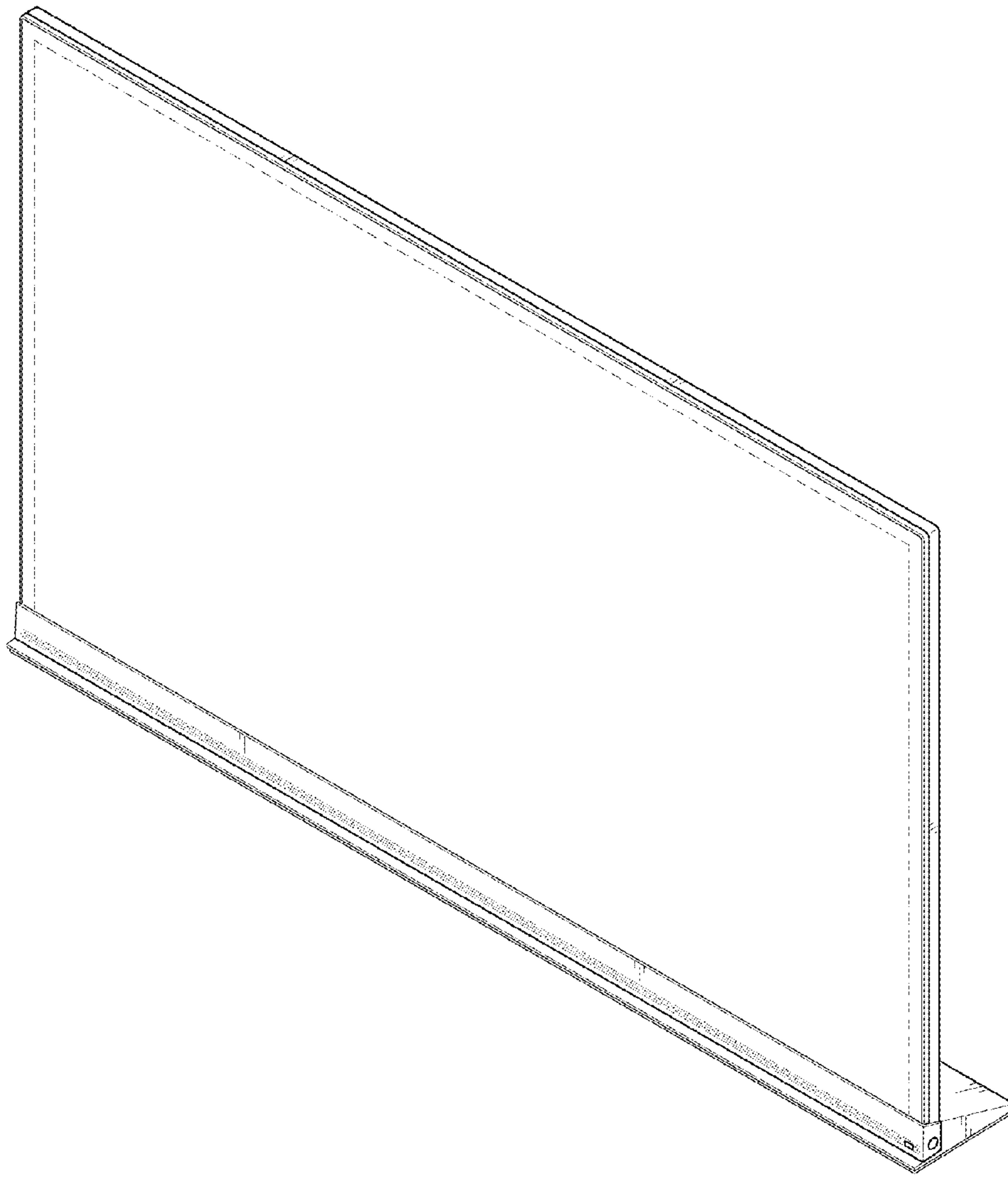


FIG. 2

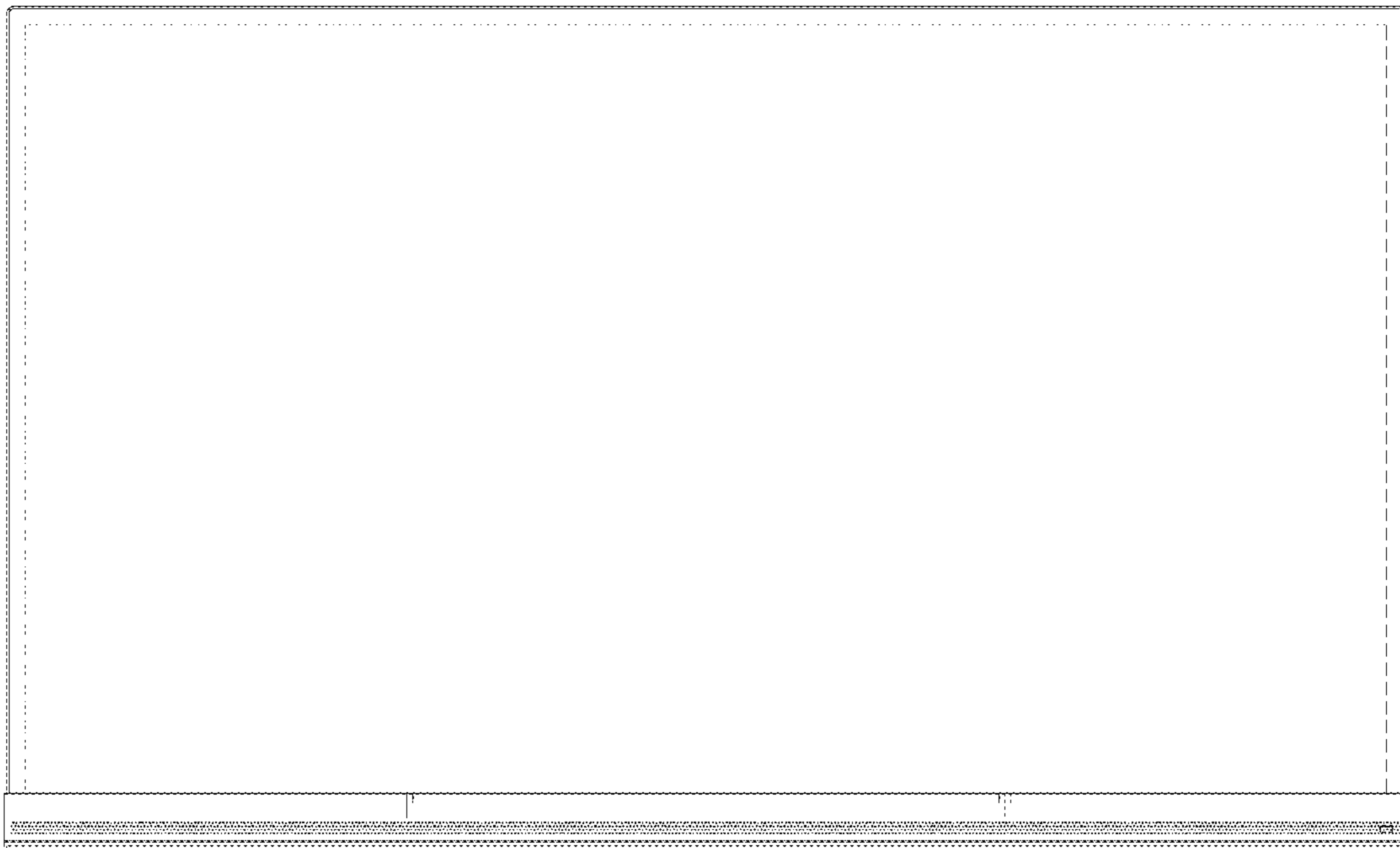


FIG. 3

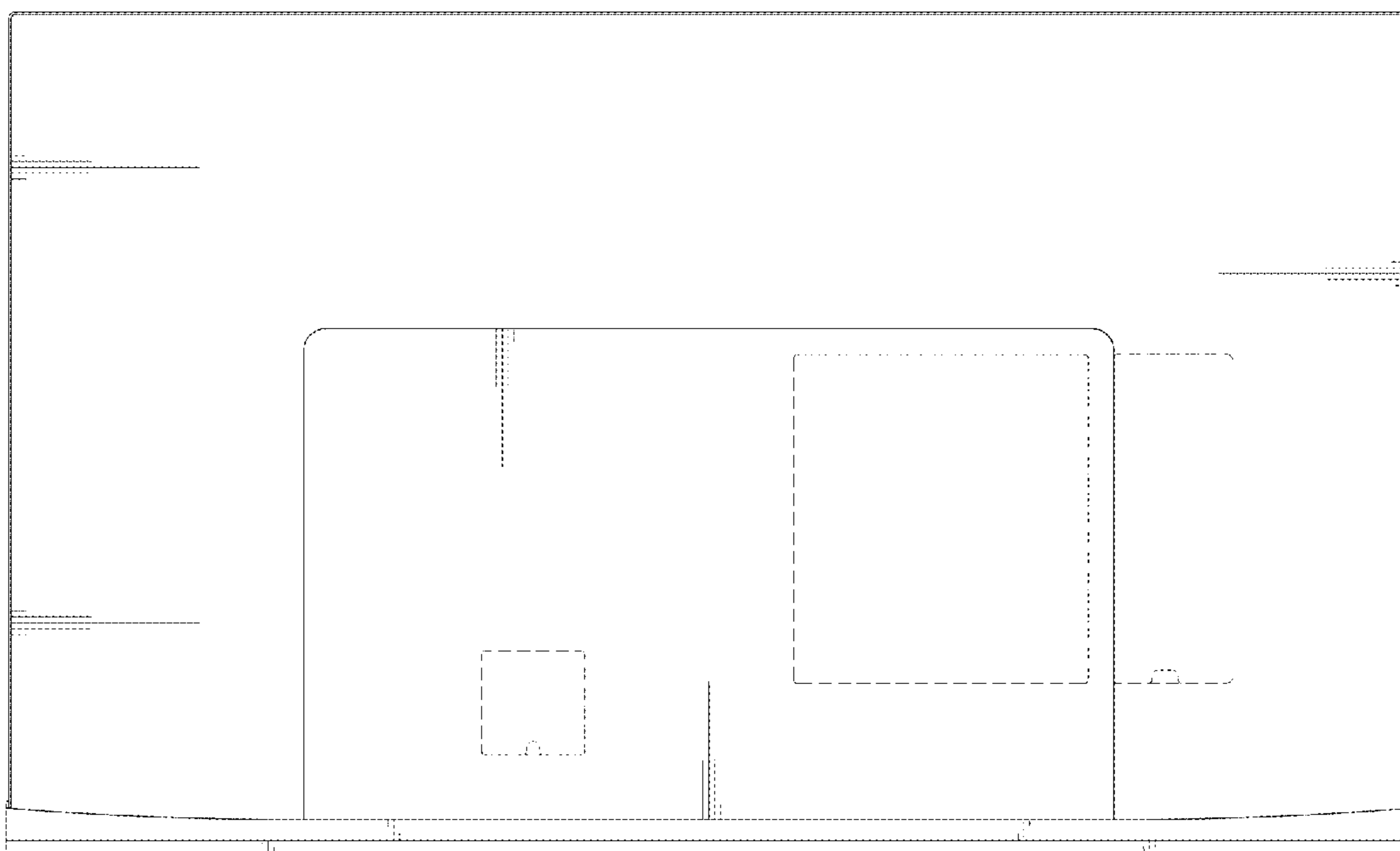


FIG. 4

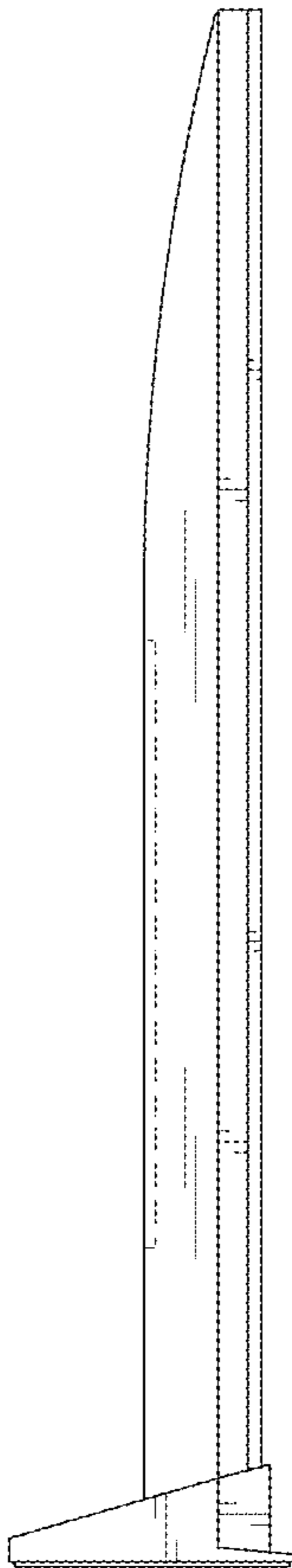


FIG. 5

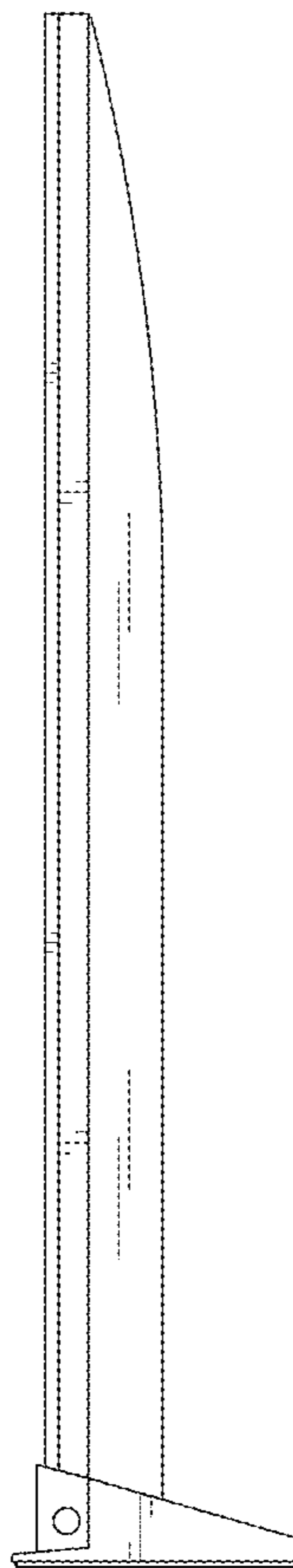


FIG. 6

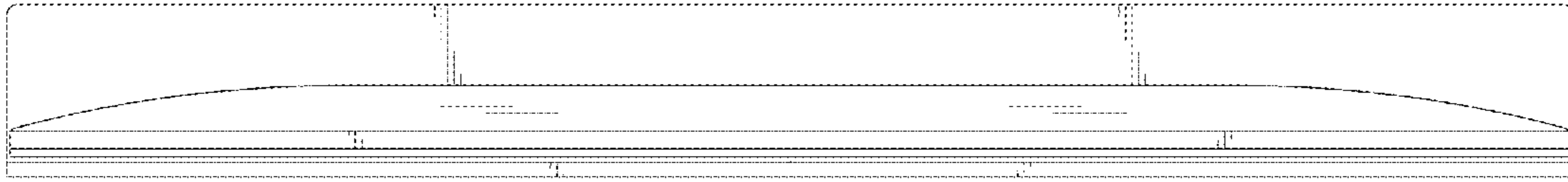


FIG. 7

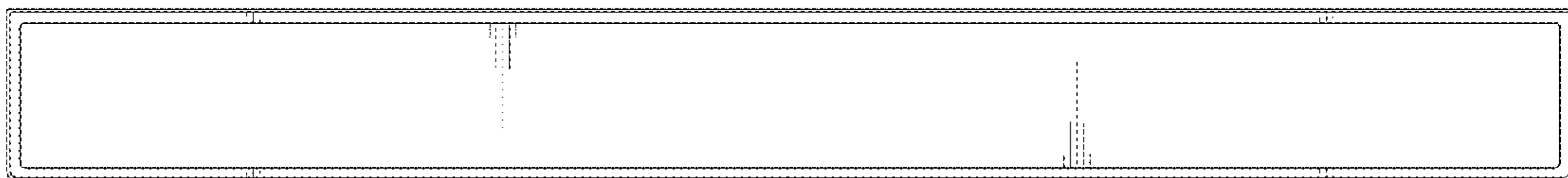


FIG. 8

