



US00D715753S

(12) **United States Design Patent**  
**Jang et al.**

(10) **Patent No.:** **US D715,753 S**

(45) **Date of Patent:** **\*\* \*Oct. 21, 2014**

(54) **TELEVISION RECEIVER**

(75) Inventors: **Yonghun Jang**, Seoul (KR); **Sehdong Yoo**, Gyeonggi-do (KR); **Yunhwan Sung**, Seoul (KR)

(73) Assignee: **LG Electronics Inc.**, Seoul (KR)

(\*) Notice: This patent is subject to a terminal disclaimer.

(\*\*) Term: **14 Years**

(21) Appl. No.: **29/407,331**

(22) Filed: **Nov. 28, 2011**

(51) **LOC (10) Cl.** ..... **14-03**

(52) **U.S. Cl.**  
USPC ..... **D14/126**

(58) **Field of Classification Search**  
USPC ..... D14/126; 312/7.2; 348/836, 838, 180,  
348/184, 325, 739; 341/12; 248/917-924,  
248/465; 345/104, 133, 156, 168, 87, 173;  
720/605, 600, 655; 455/347  
See application file for complete search history.

(56) **References Cited**

**U.S. PATENT DOCUMENTS**

D618,640	S	*	6/2010	Won et al.	.....	D14/126
D624,512	S	*	9/2010	Kim et al.	.....	D14/126
D642,148	S	*	7/2011	Kwon et al.	.....	D14/126
D643,003	S	*	8/2011	Ryu et al.	.....	D14/126
D645,431	S	*	9/2011	Boo et al.	.....	D14/126
D648,296	S	*	11/2011	Lee et al.	.....	D14/126

D654,447	S	*	2/2012	Lee et al.	.....	D14/126
D680,091	S	*	4/2013	Kim et al.	.....	D14/126
D682,231	S	*	5/2013	Lee et al.	.....	D14/126
D682,233	S	*	5/2013	Yoo et al.	.....	D14/126
D693,784	S	*	11/2013	Lee	.....	D14/126
D694,209	S	*	11/2013	Cho et al.	.....	D14/126
D694,210	S	*	11/2013	Fujii et al.	.....	D14/126

\* cited by examiner

*Primary Examiner* — Robert M Spear

*Assistant Examiner* — Eliza Bennett-Hattan

(74) *Attorney, Agent, or Firm* — Morgan, Lewis & Bockius LLP

(57) **CLAIM**

The ornamental design for a television receiver, as shown and described.

**DESCRIPTION**

FIG. 1 is a perspective view of a television receiver showing our new design;  
FIG. 2 is a front view thereof;  
FIG. 3 is a rear view thereof;  
FIG. 4 is a left side view thereof;  
FIG. 5 is a right side view thereof;  
FIG. 6 is a top plan view thereof;  
FIG. 7 is a bottom plan view thereof;  
FIG. 8 is an enlarged view of section 8 in FIG. 3; and,  
FIG. 9 is an enlarged view of section 9 in FIG. 4.

The broken line showing in the figures is for the purpose of illustrating portions of the television receiver and forms no part of the claimed design.

**1 Claim, 8 Drawing Sheets**

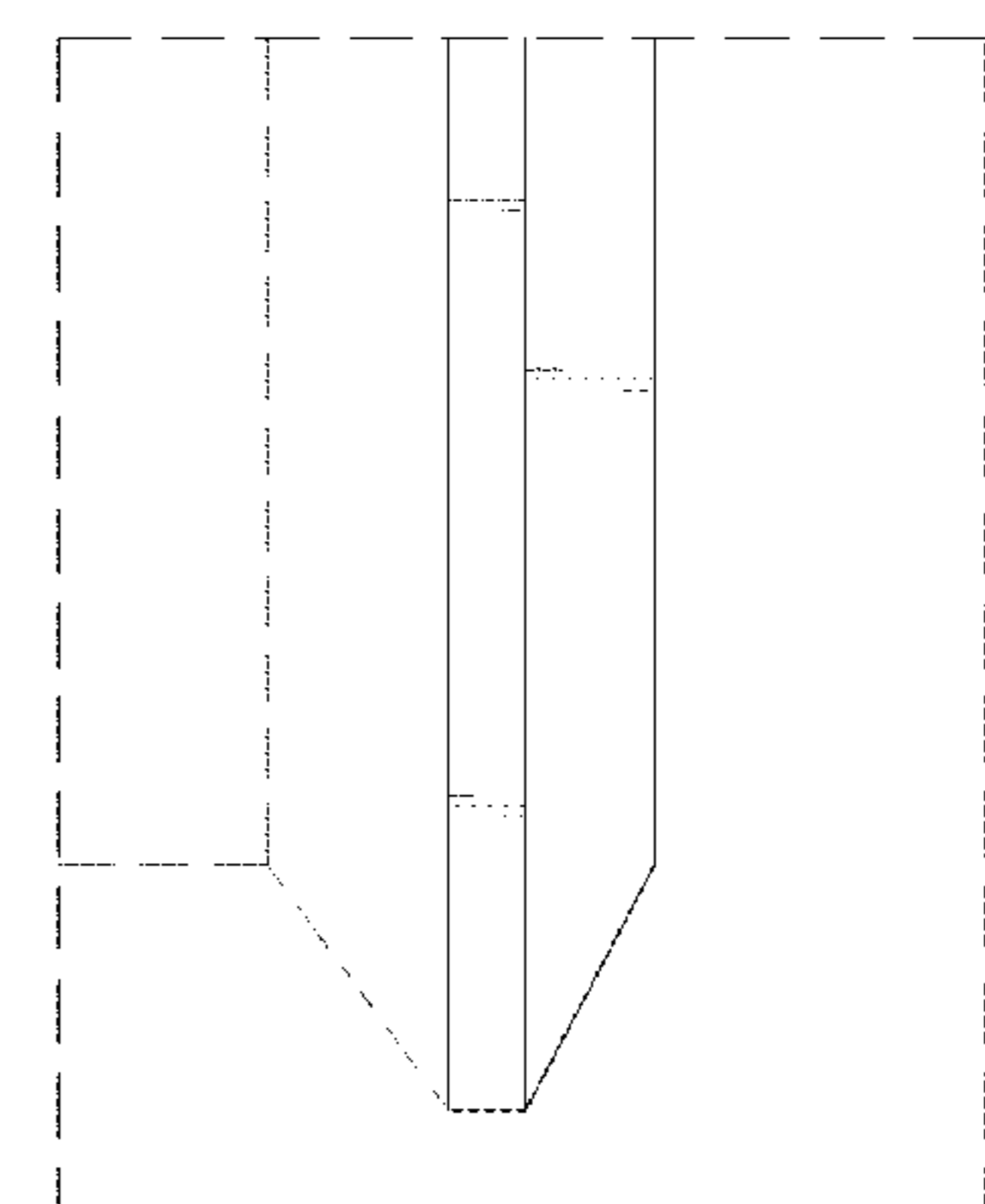
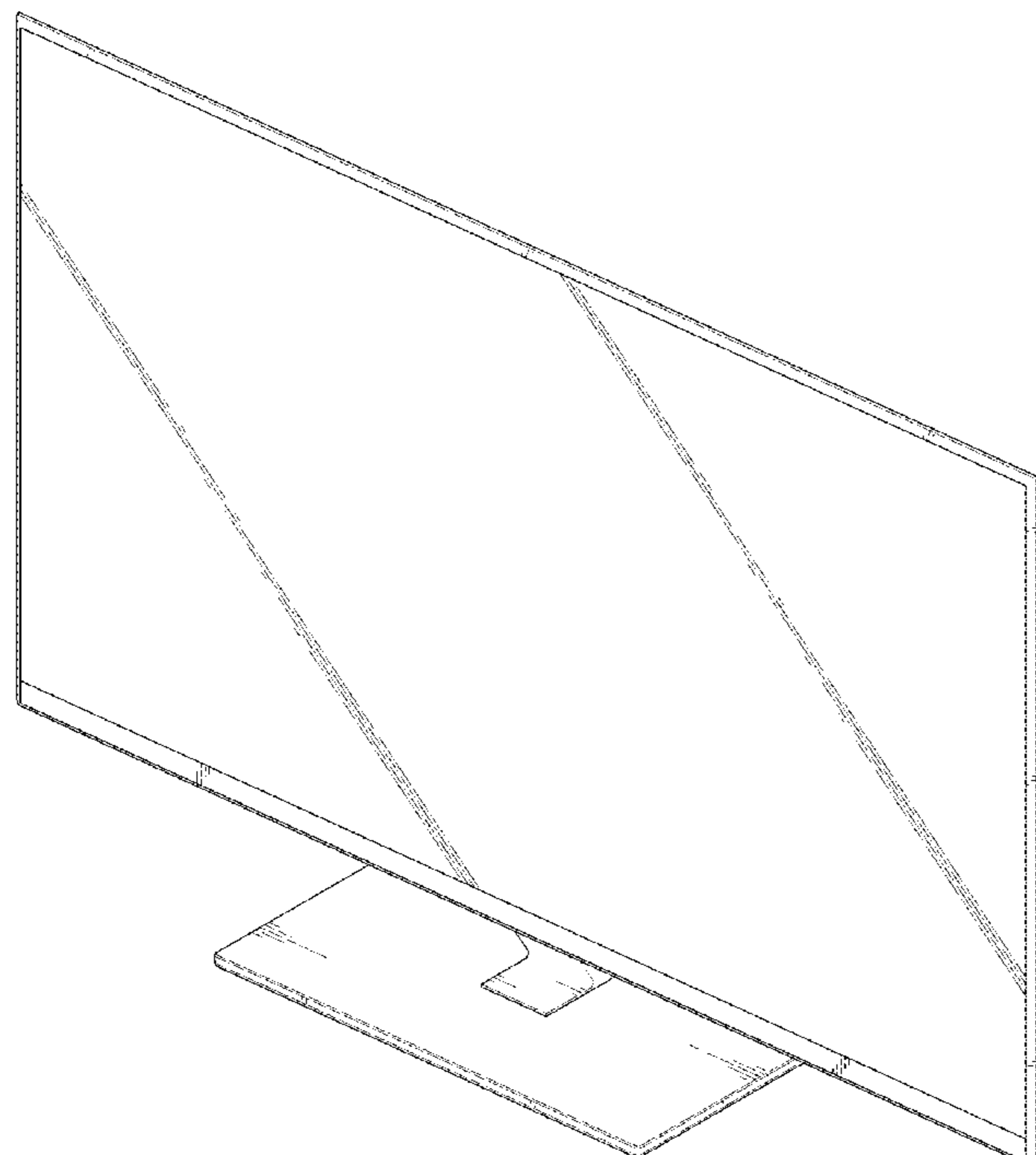


FIG. 1

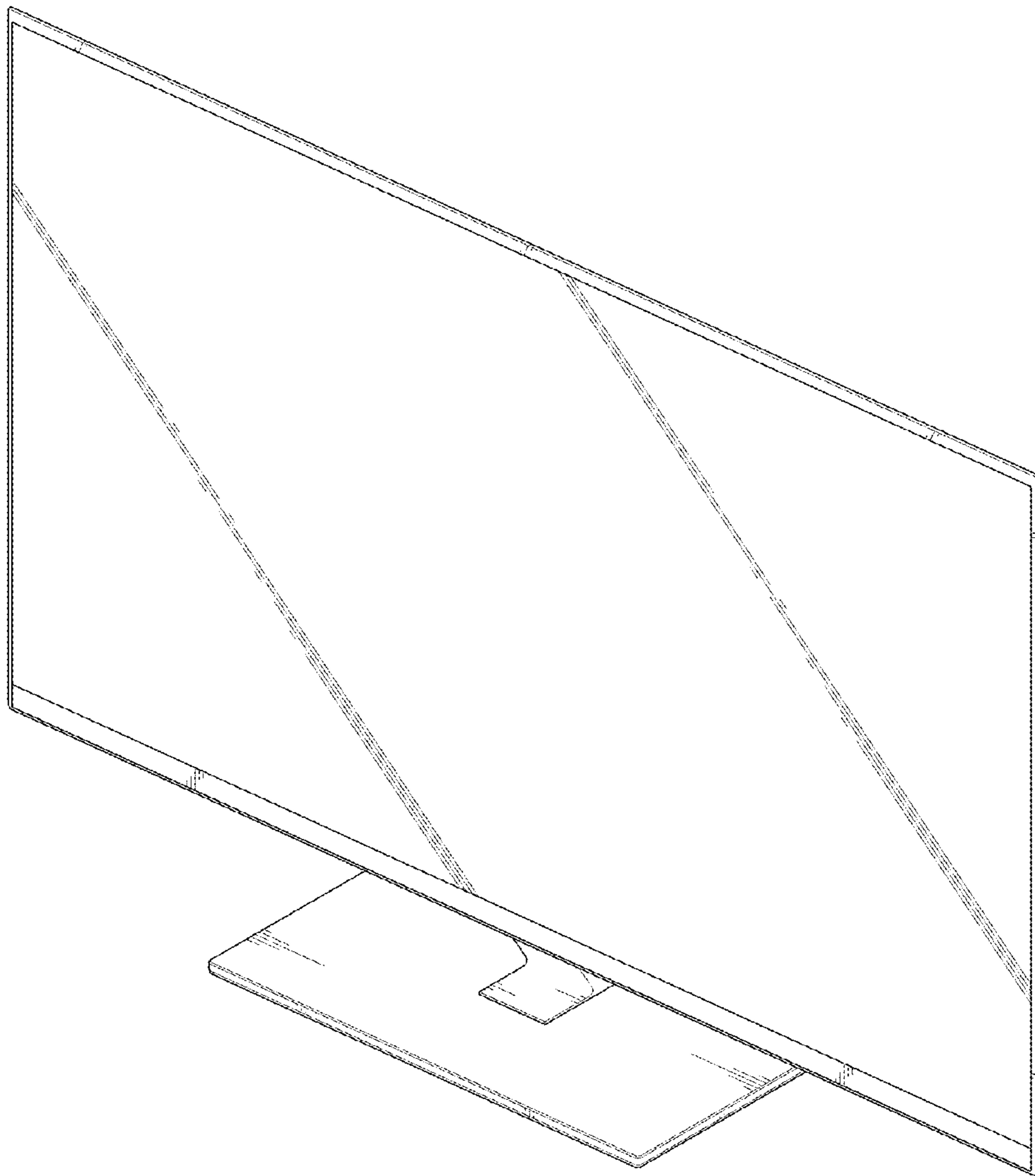


FIG. 2

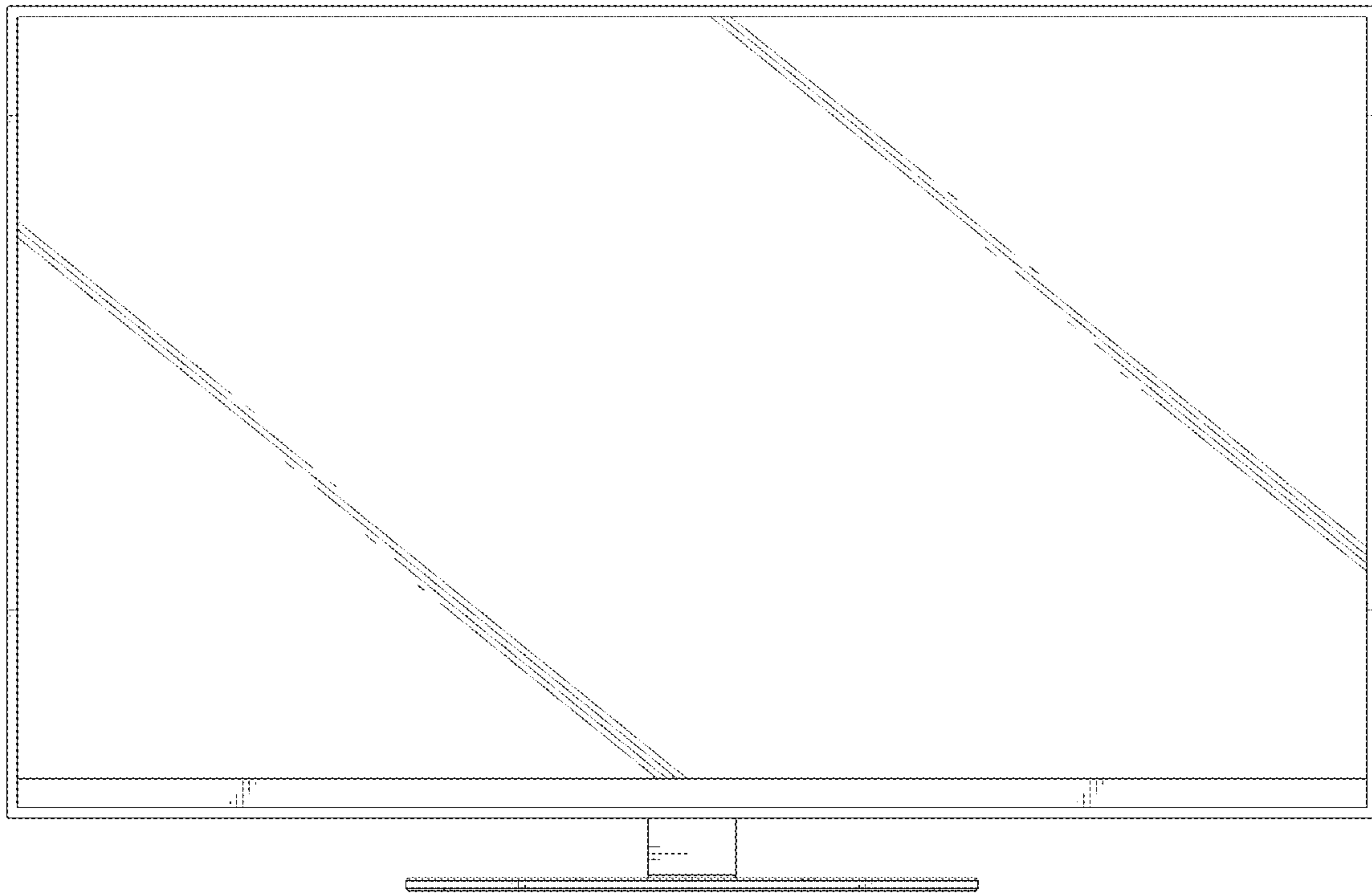


FIG. 3

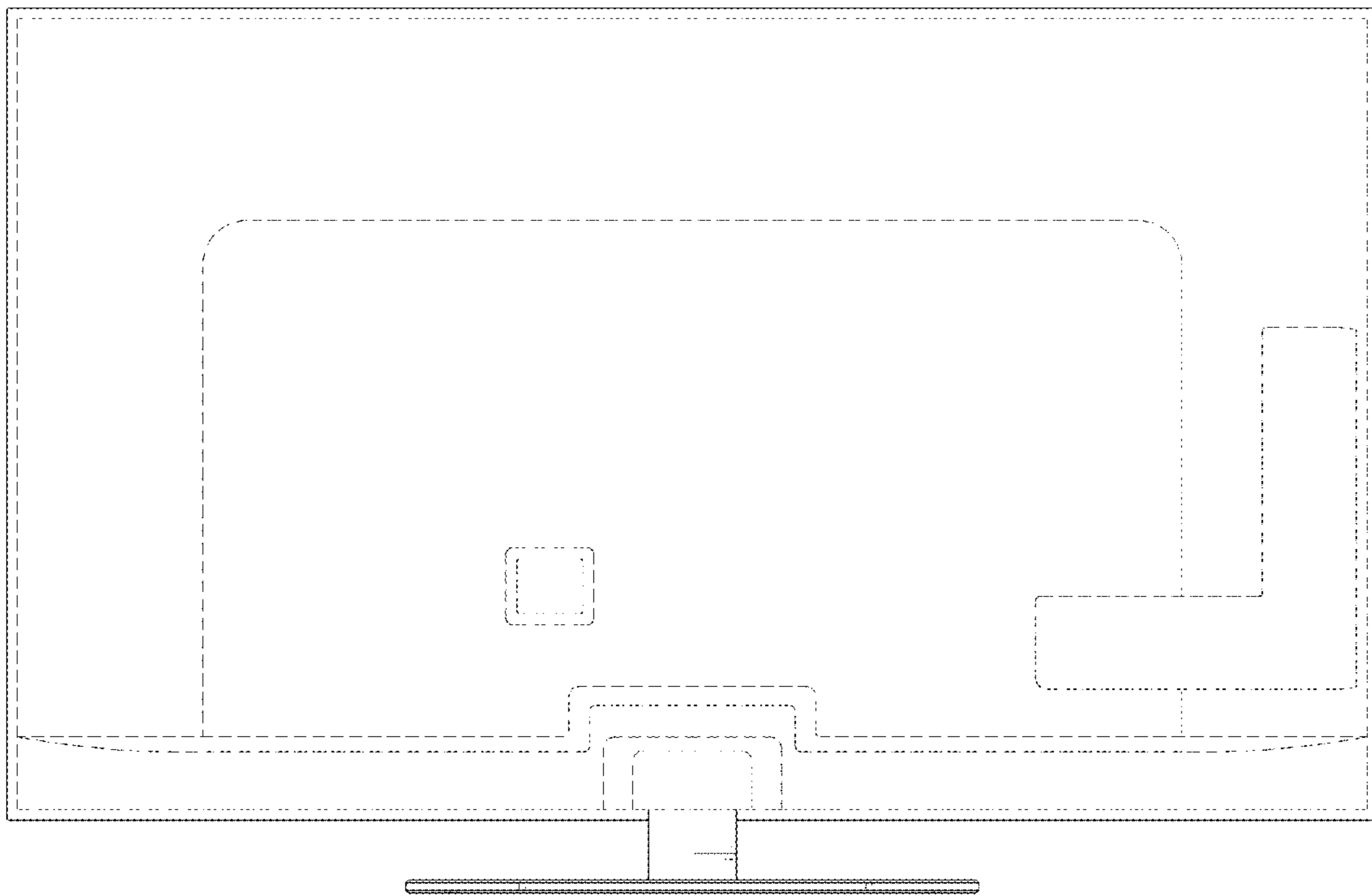


FIG. 4

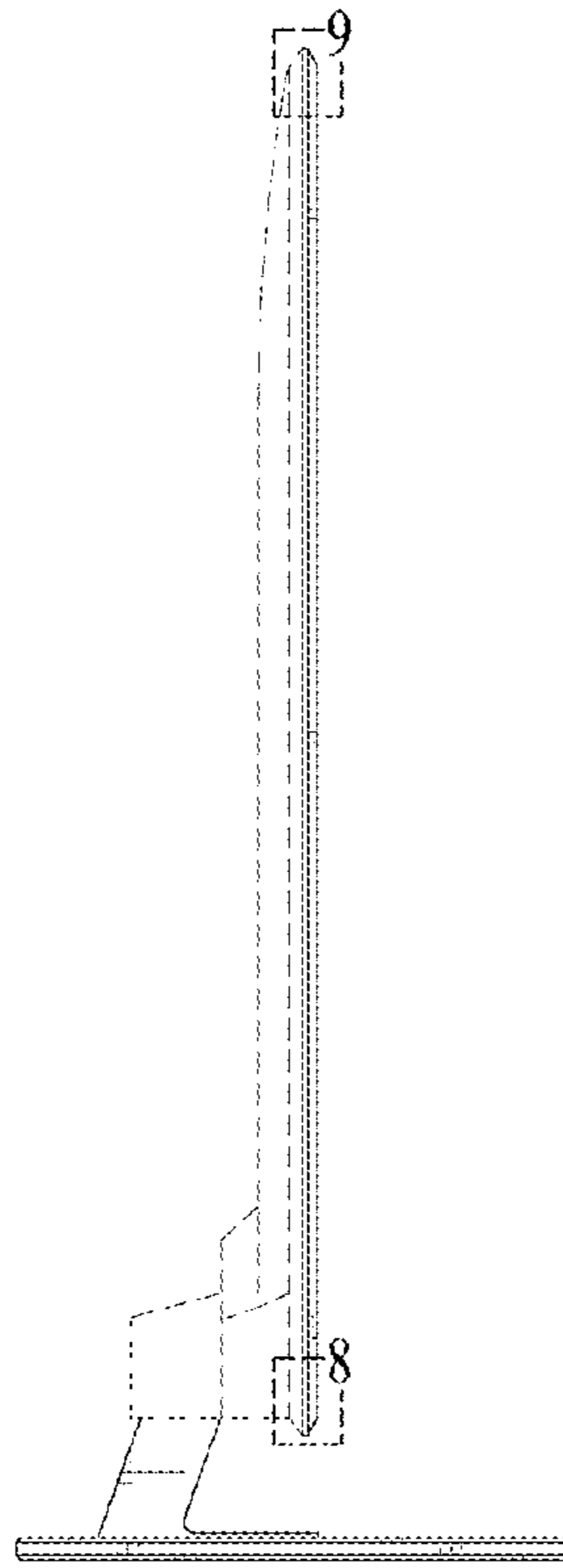


FIG. 5

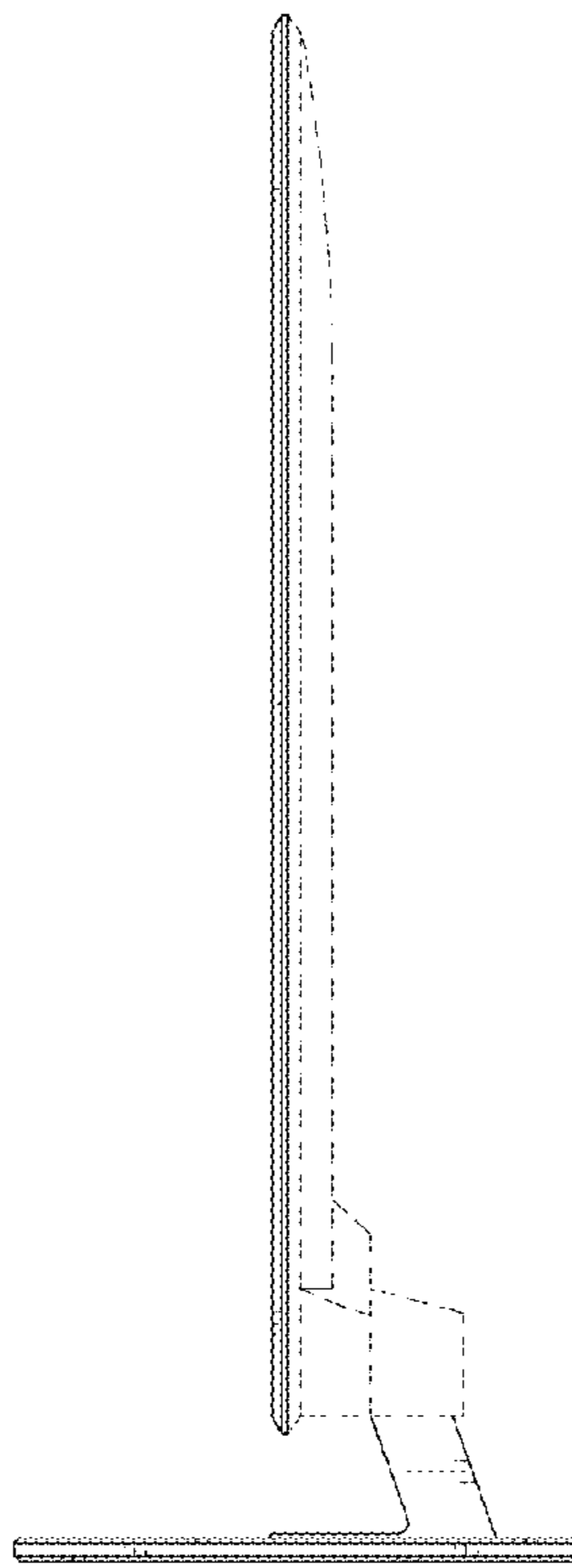


FIG. 6

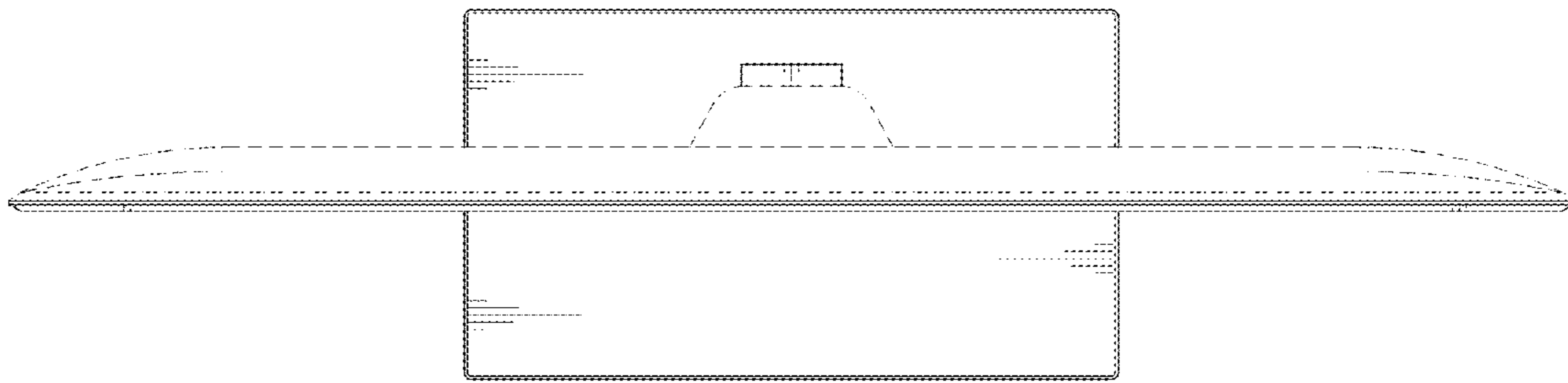


FIG. 7

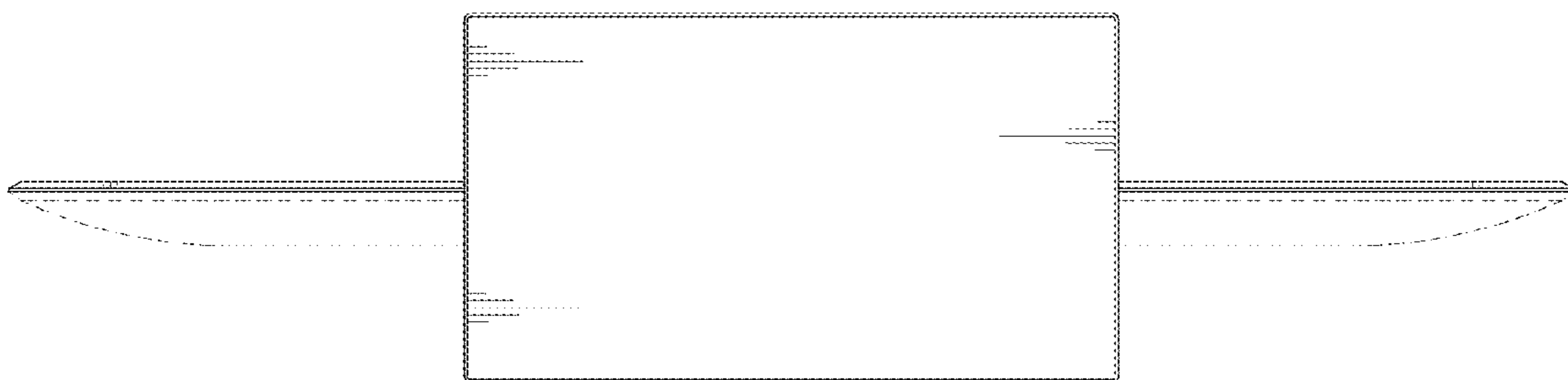


FIG. 8

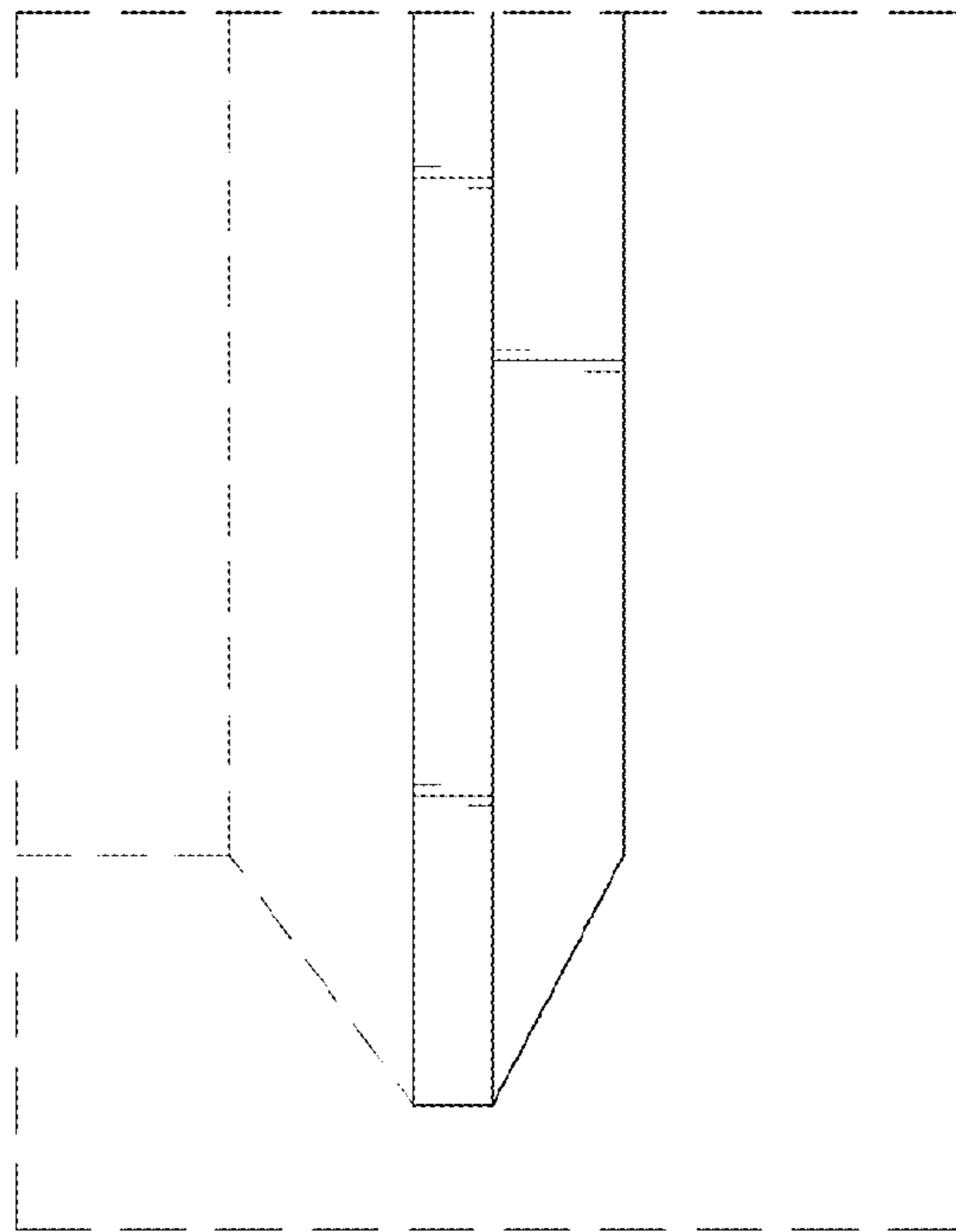




FIG. 9

