



US00D715750S

(12) **United States Design Patent**  
**Mira et al.**

(10) **Patent No.:** **US D715,750 S**  
(45) **Date of Patent:** **\*\* Oct. 21, 2014**

(54) **POWER HEAT SINK WITH IMBEDDED FLY CUT HEAT PIPES**

(71) Applicant: **Heatscape, Inc.**, Morgan Hill, CA (US)

(72) Inventors: **Ali Mira**, Morgan Hill, CA (US);  
**Yashar Mira**, Morgan Hill, CA (US);  
**Michael Mira**, Morgan Hill, CA (US)

(73) Assignee: **Kilpatrick Townsend & Stockton LLP**,  
Morgan Hill, CA (US)

(\*\*) Term: **14 Years**

(21) Appl. No.: **29/473,924**

(22) Filed: **Nov. 26, 2013**

(51) **LOC (10) Cl.** ..... **13-03**

(52) **U.S. Cl.**  
USPC ..... **D13/179**

(58) **Field of Classification Search**  
CPC . H01L 23/427; H01L 23/467; H01L 23/3672;  
H01L 23/3677; H05K 7/20154; F28D  
15/0233; F28D 15/0266; F28D 15/0275  
USPC ..... D13/179; 165/80.3, 104.26, 104.33,  
165/122, 151, 185; 257/706, 707, 718-722;  
361/695, 697, 700, 702, 704, 709, 710,  
361/711, 719  
See application file for complete search history.

(56) **References Cited**

U.S. PATENT DOCUMENTS

D533,145	S	*	12/2006	O'Sullivan et al.	.....	D13/179
7,249,626	B2	*	7/2007	Hao et al.	.....	165/104.33
D579,423	S	*	10/2008	Chang et al.	.....	D13/179
D582,359	S	*	12/2008	Chang	.....	D13/179
8,322,403	B2	*	12/2012	Lin et al.	.....	165/80.2
8,584,736	B2	*	11/2013	Li et al.	.....	165/80.3
2006/0175045	A1	*	8/2006	Chen	.....	165/104.33
2006/0266500	A1	*	11/2006	Lin et al.	.....	165/104.33

2007/0107883	A1	*	5/2007	Chen	.....	165/133
2007/0131390	A1	*	6/2007	Chen et al.	.....	165/104.33
2008/0105408	A1	*	5/2008	Zhang et al.	.....	165/104.33
2008/0115915	A1	*	5/2008	Chen	.....	165/104.33
2009/0049691	A1	*	2/2009	Cheng et al.	.....	29/890.03
2009/0050305	A1	*	2/2009	He et al.	.....	165/182
2009/0173474	A1	*	7/2009	Chang	.....	165/104.26
2009/0219690	A1	*	9/2009	Lin et al.	.....	361/697
2010/0181047	A1	*	7/2010	Lin et al.	.....	165/104.26
2010/0258287	A1	*	10/2010	Chen et al.	.....	165/185
2011/0024087	A1	*	2/2011	Lin et al.	.....	165/104.26
2011/0127012	A1	*	6/2011	Ma et al.	.....	165/104.26
2012/0103572	A1	*	5/2012	Hwang et al.	.....	165/104.26
2014/0138074	A1	*	5/2014	Huang	.....	165/185

\* cited by examiner

*Primary Examiner* — Selina Sikder

(74) *Attorney, Agent, or Firm* — Kilpatrick Townsend & Stockton LLP

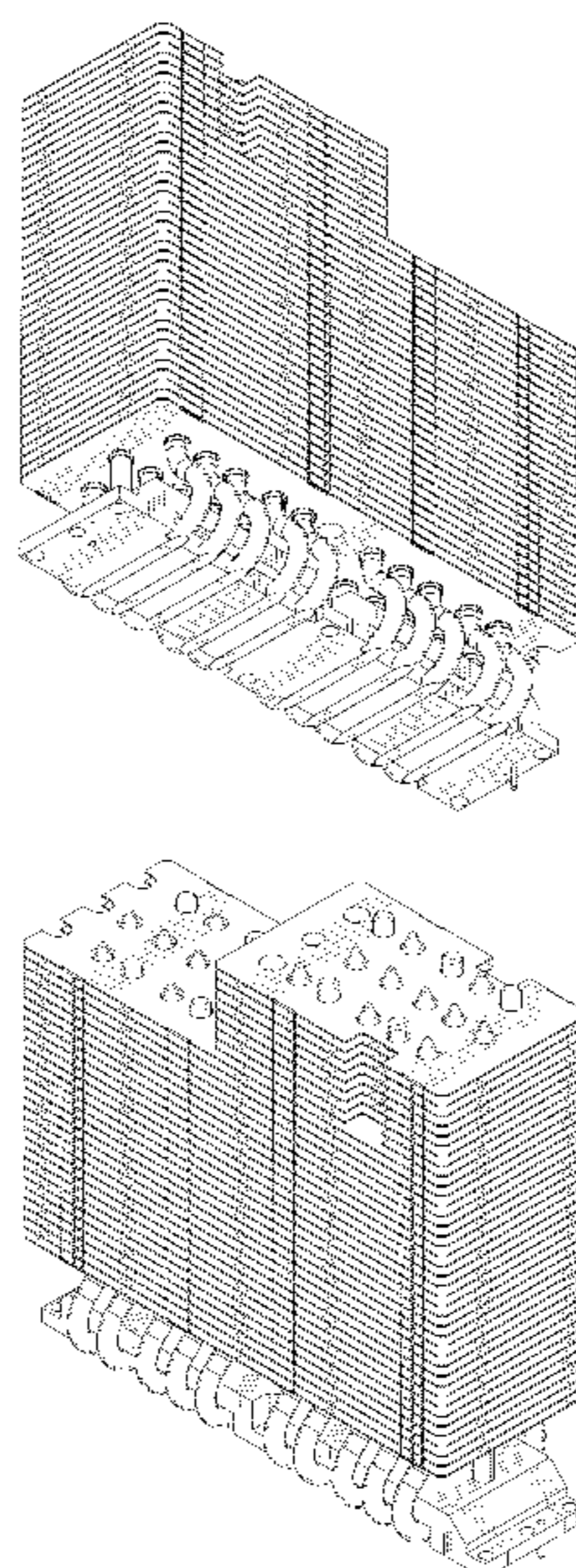
(57) **CLAIM**

The ornamental design for a power heat sink with imbedded fly cut heat pipes, as shown and described.

**DESCRIPTION**

FIG. 1 is a top perspective view of a power heat sink with imbedded fly cut heat pipes showing our new design; FIG. 2 is a bottom perspective view thereof; FIG. 3 is a front elevational view thereof; FIG. 4 is a rear elevational view thereof; FIG. 5 is a top plan view thereof; FIG. 6 is a bottom plan view thereof; FIG. 7 is a left side elevational view thereof; FIG. 8 is a right side elevational view thereof; FIG. 9 is an additional bottom perspective view thereof; and, FIG. 10 is a disassembled view corresponding to FIG. 9. The broken line showing on the drawing disclosure is for illustrative purposes only and forms no part of the claimed design.

**1 Claim, 8 Drawing Sheets**



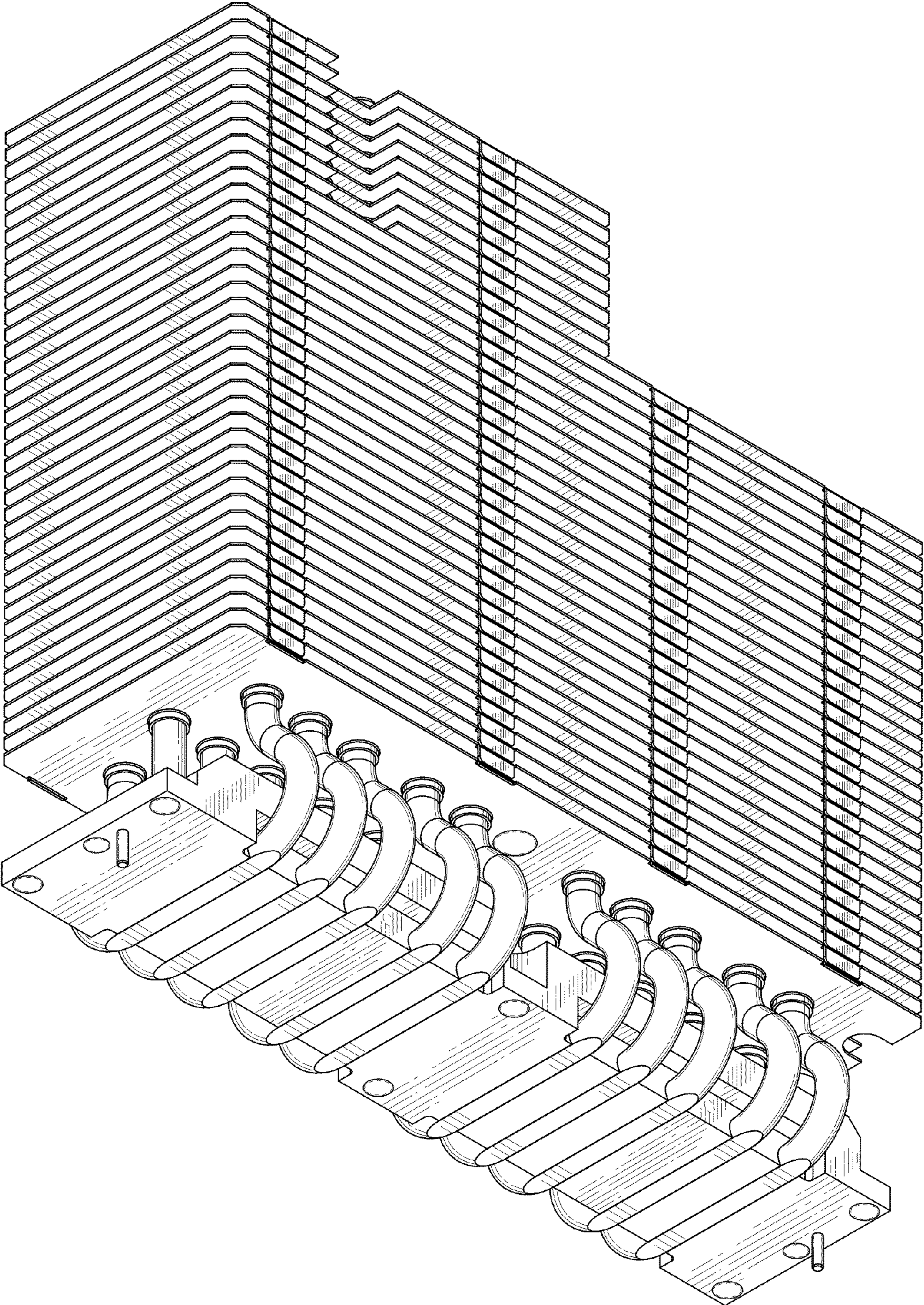


FIG. 1

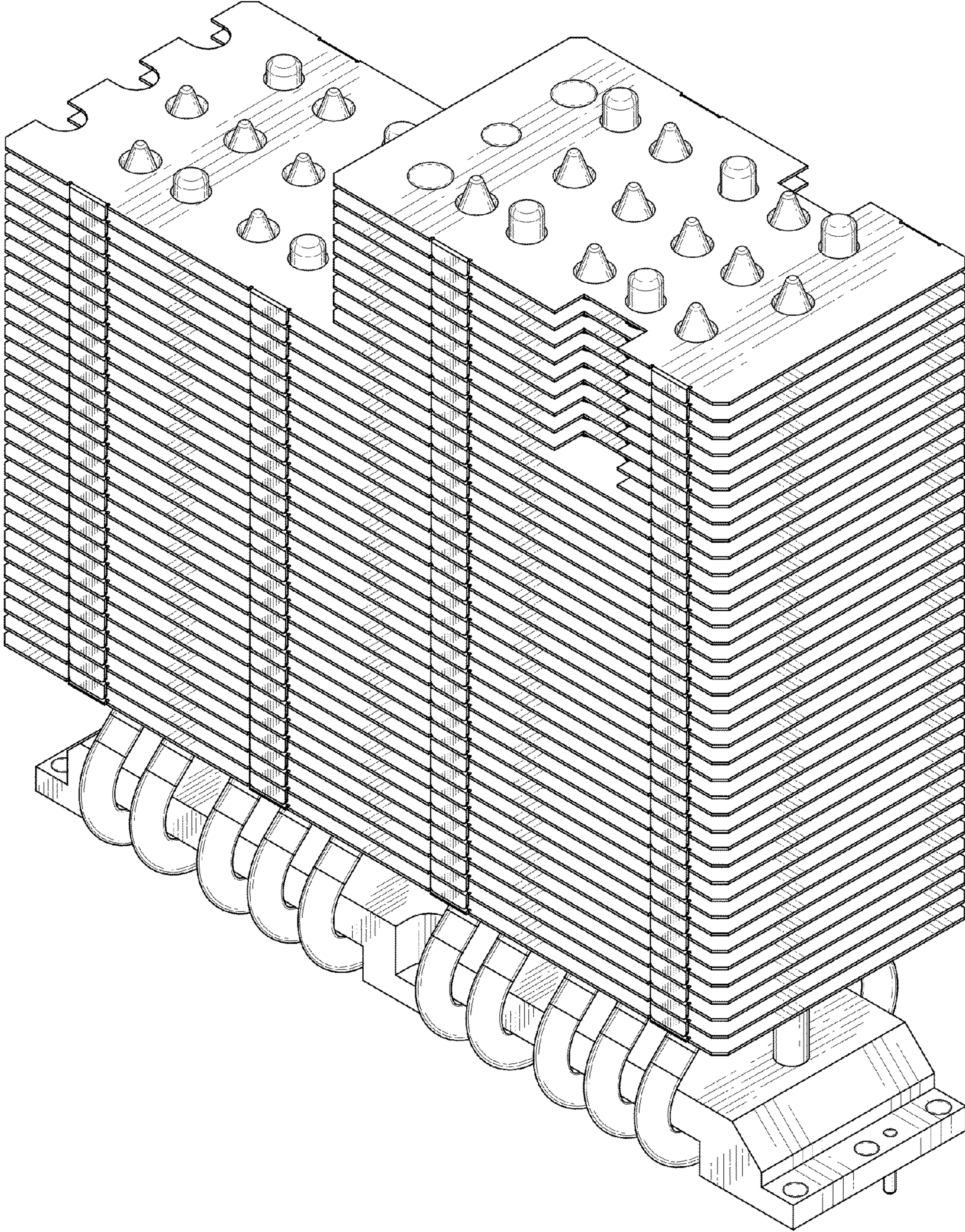


FIG. 2

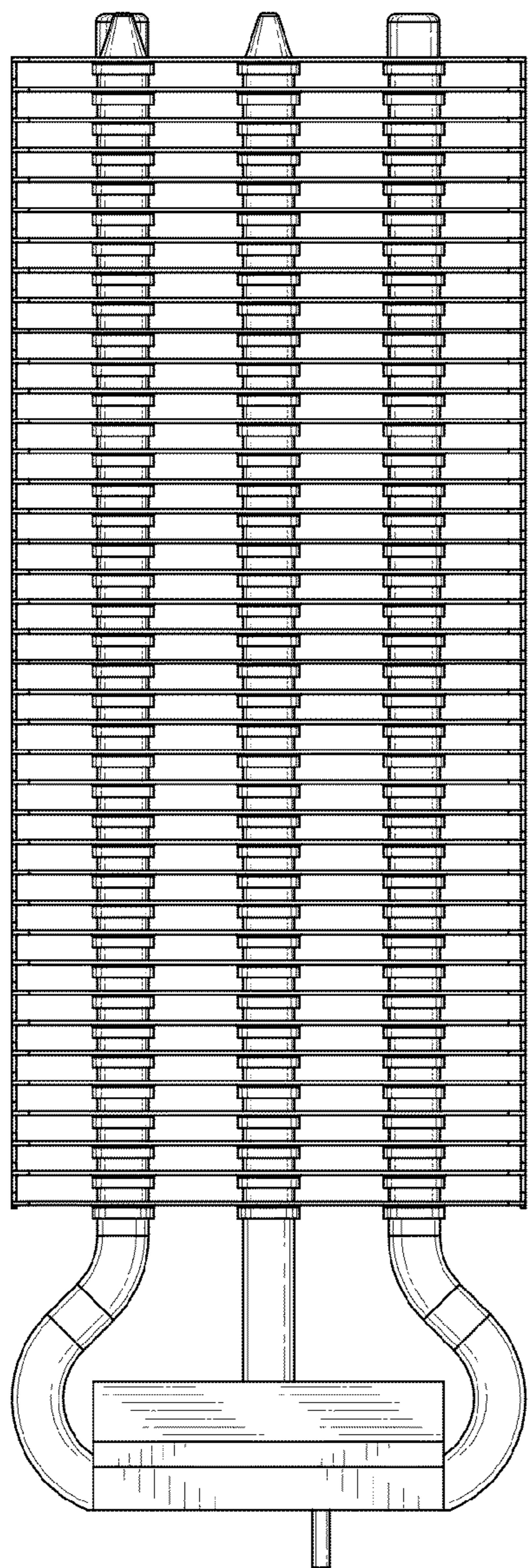


FIG. 3

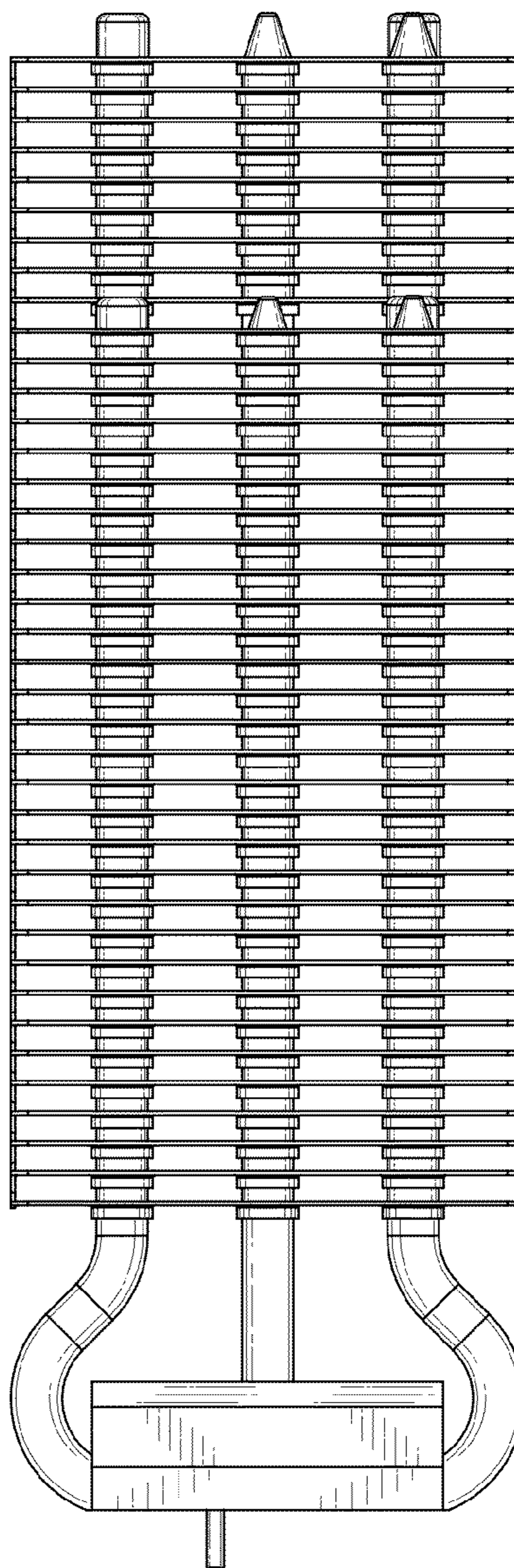


FIG. 4

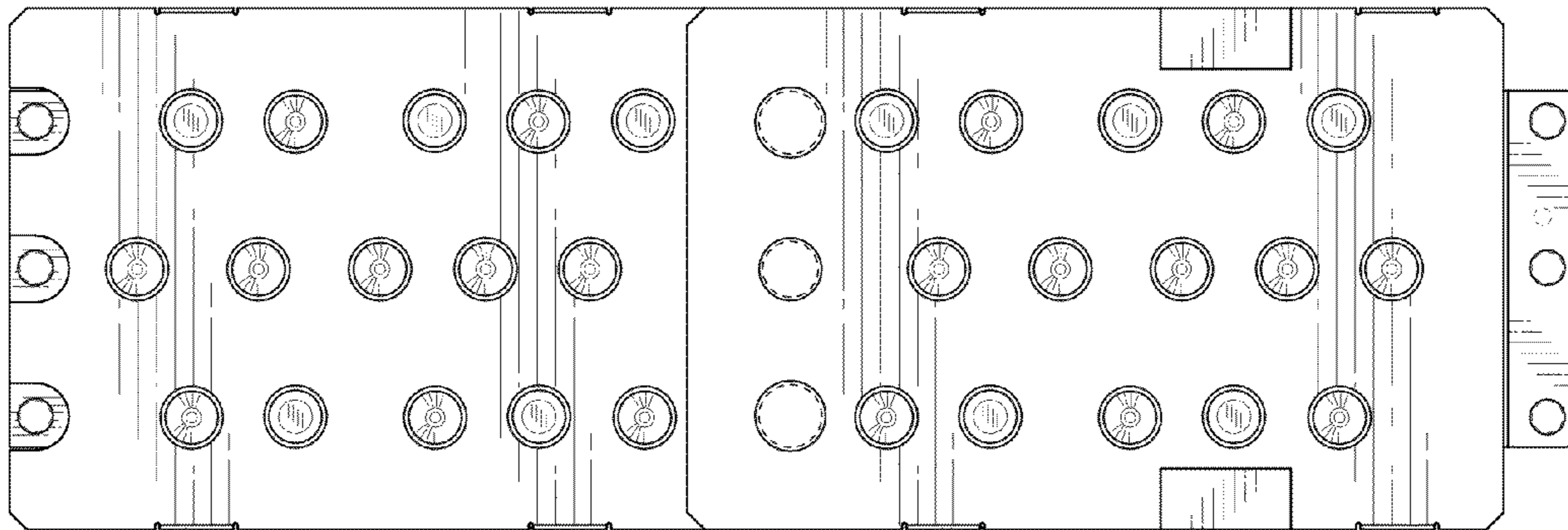


FIG. 5

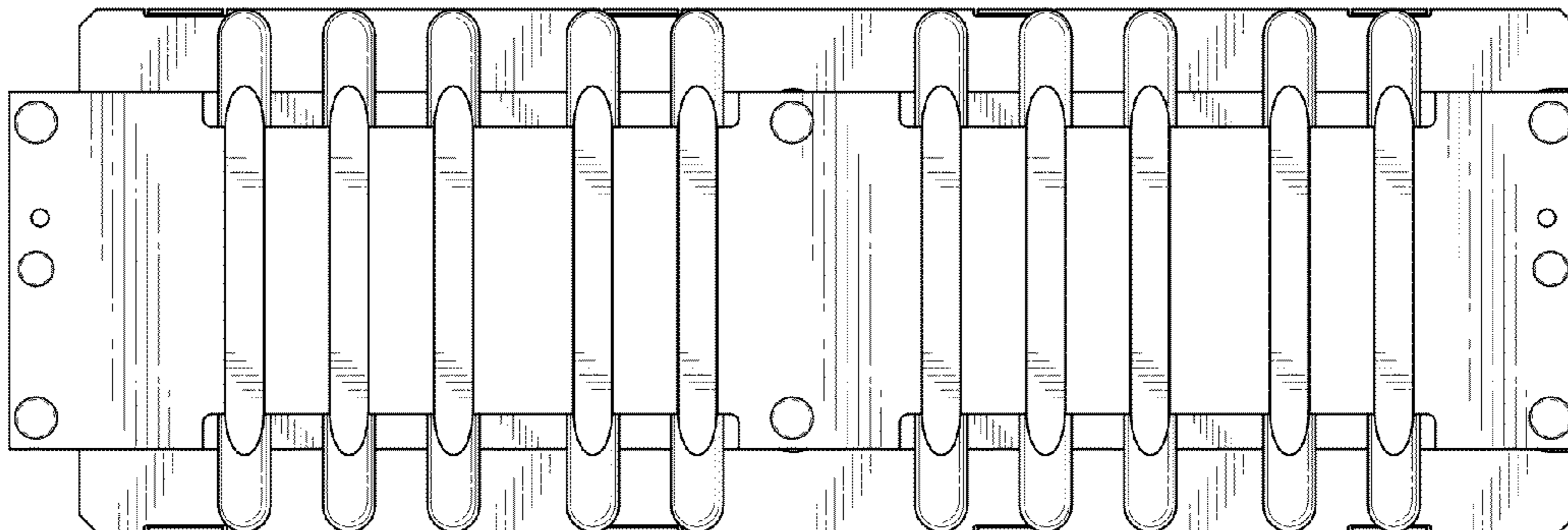


FIG. 6

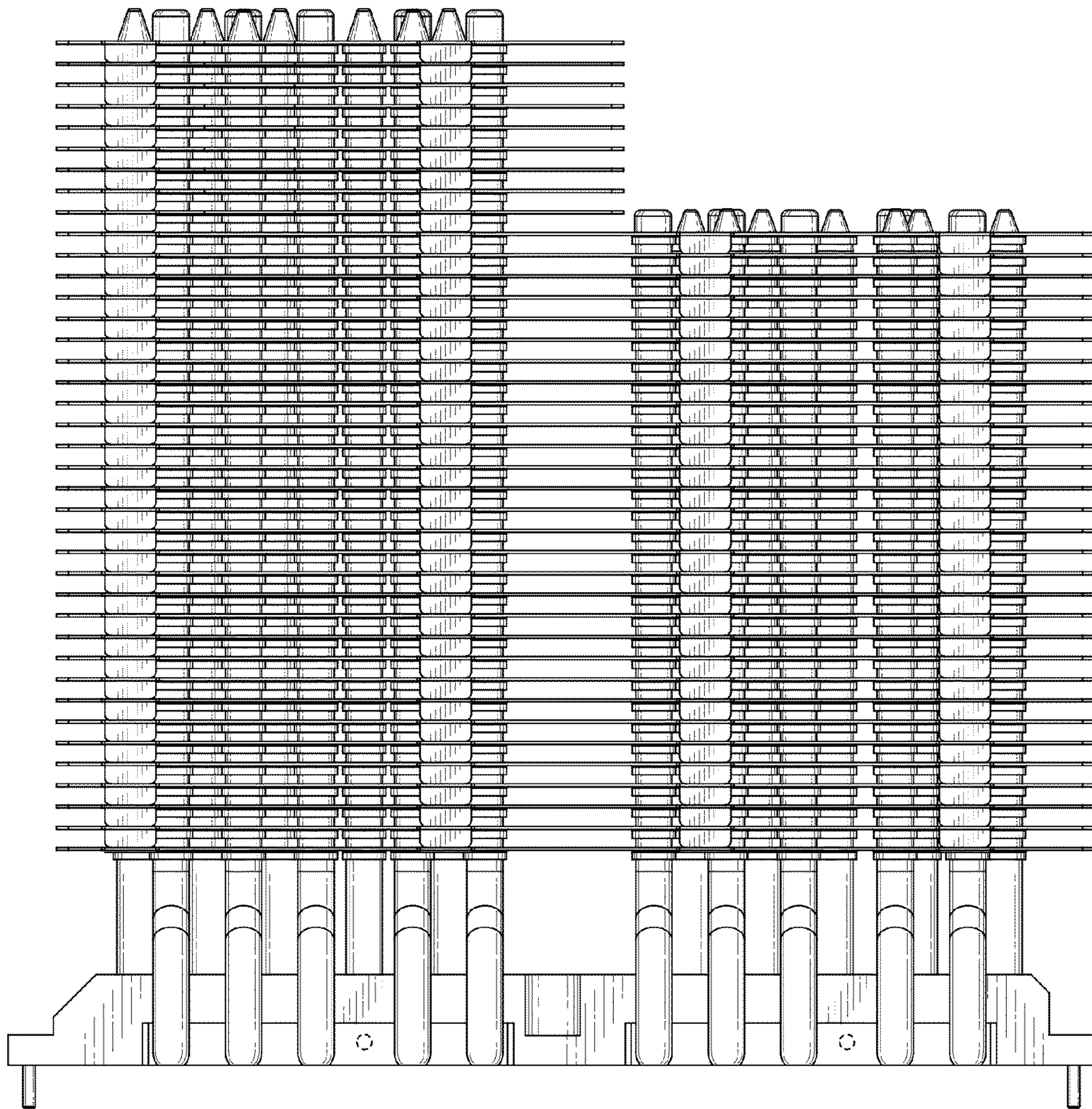


FIG. 7

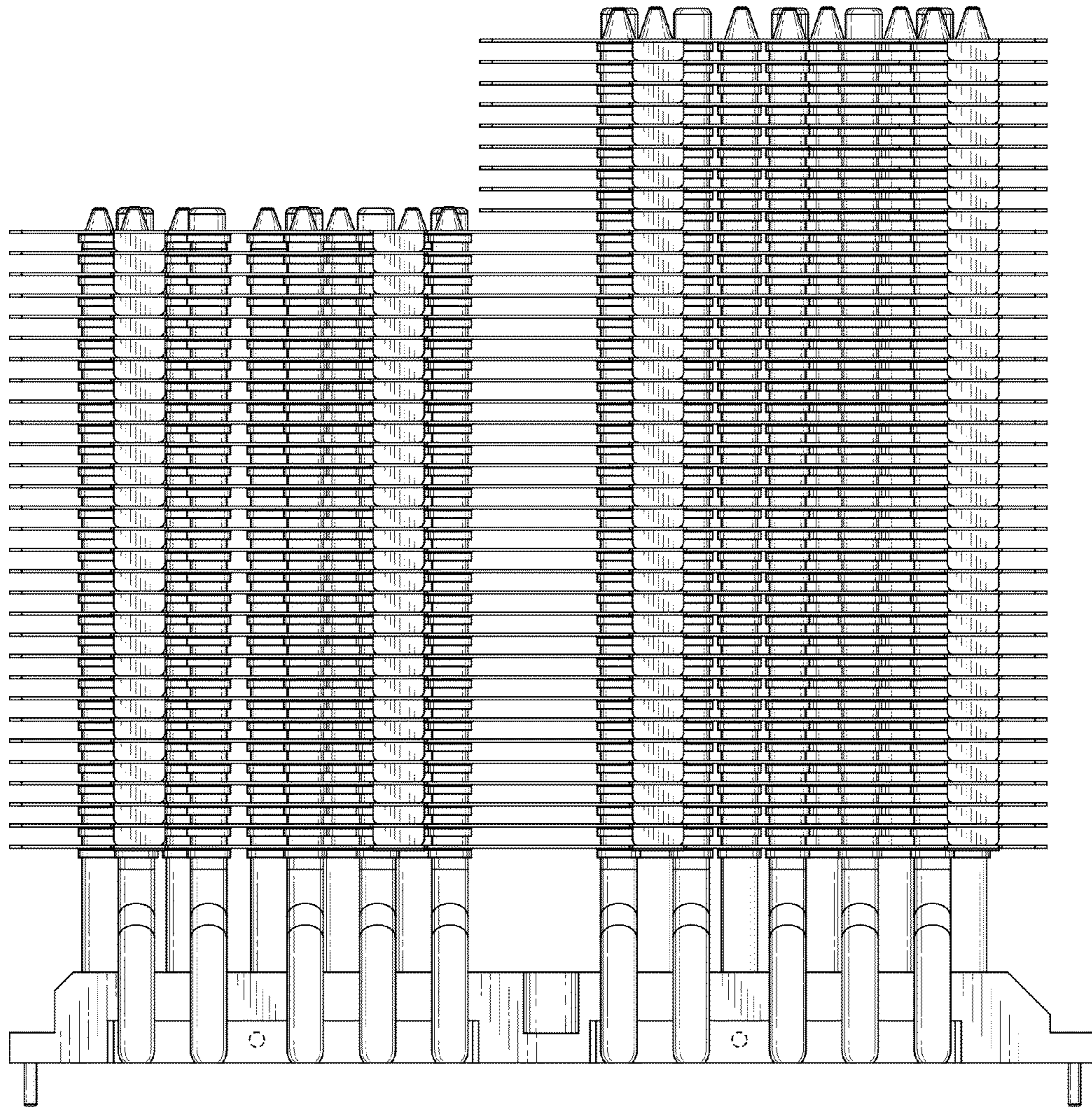


FIG. 8

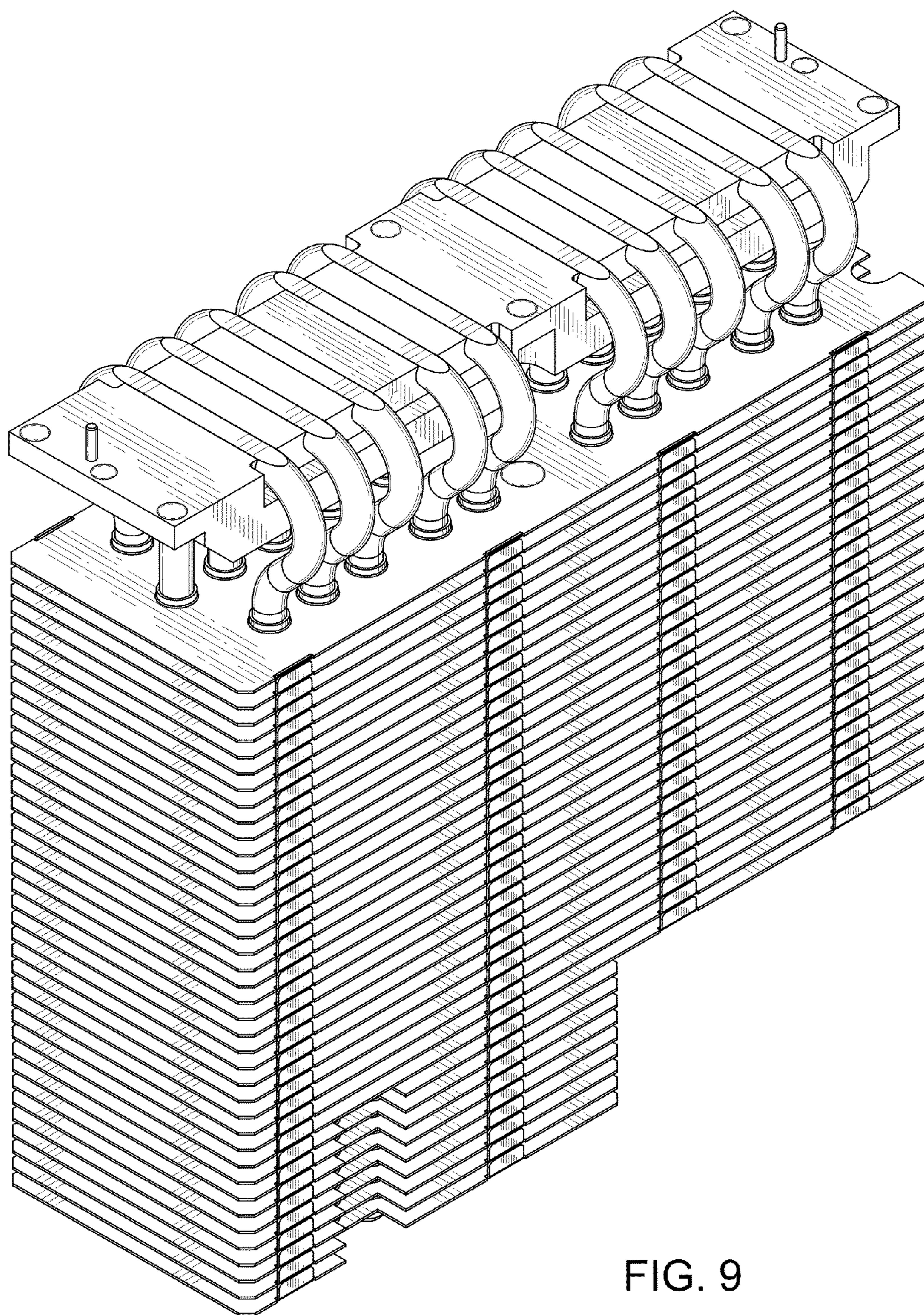


FIG. 9



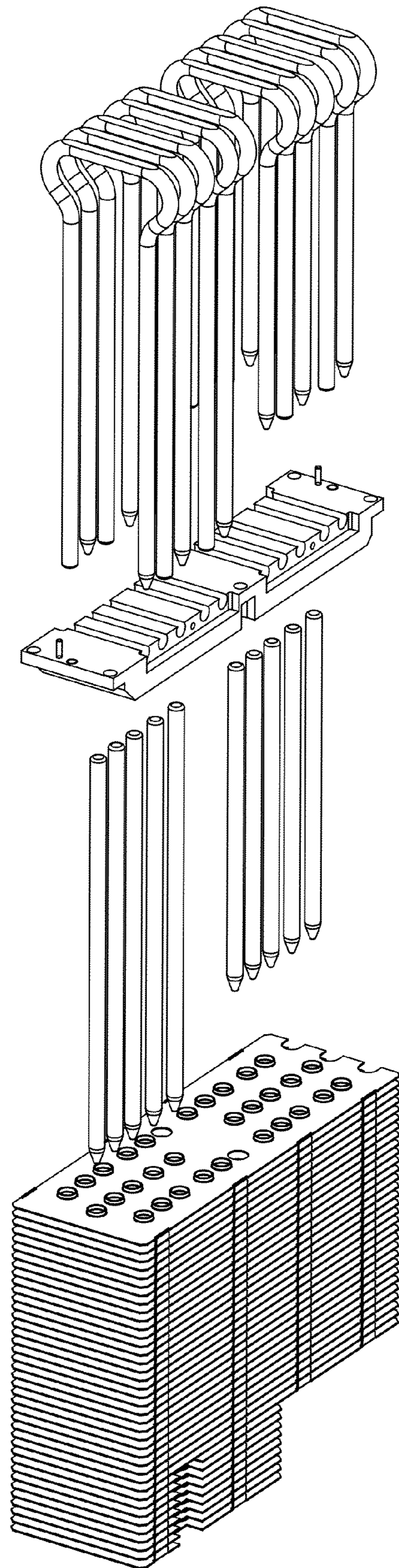


FIG. 10

UNITED STATES PATENT AND TRADEMARK OFFICE  
**CERTIFICATE OF CORRECTION**

PATENT NO. : D715,750 S  
APPLICATION NO. : 29/473924  
DATED : October 21, 2014  
INVENTOR(S) : Ali Mira, Yashar Mira and Michael Mira

Page 1 of 1

It is certified that error appears in the above-identified patent and that said Letters Patent is hereby corrected as shown below:

On the title page, Assignee item (73): please delete “Kilpatrick Townsend & Stockton LLP, Morgan Hill, CA (US)” and insert --Heatscape, Inc., Morgan Hill, CA (US)--

Signed and Sealed this  
Ninth Day of June, 2015



Michelle K. Lee  
*Director of the United States Patent and Trademark Office*