



US00D715746S

(12) **United States Design Patent**
Schmelling

(10) **Patent No.:** **US D715,746 S**
(45) **Date of Patent:** **** Oct. 21, 2014**

(54) **FOOT SWITCH**

(71) Applicant: **Steffen Schmelling**, København N (DK)

(72) Inventor: **Steffen Schmelling**, København N (DK)

(73) Assignee: **Linak A/S**, Nordborg (DK)

(**) Term: **14 Years**

(21) Appl. No.: **29/437,373**

(22) Filed: **Nov. 15, 2012**

(30) **Foreign Application Priority Data**

May 16, 2012 (DK) DA 2012 00072

(51) **LOC (10) CL.** **13-03**

(52) **U.S. CL.**
USPC **D13/174**

(58) **Field of Classification Search**
USPC D13/158, 167, 174; D24/179; 74/512,
74/560; 200/86.5; 433/101; 606/1
See application file for complete search history.

(56) **References Cited**

U.S. PATENT DOCUMENTS

3,855,704 A * 12/1974 Booth 433/101
4,114,275 A * 9/1978 Jones et al. 433/101
D379,349 S * 5/1997 Nichols et al. D13/167
D388,056 S * 12/1997 Fago et al. D13/167

D455,405 S * 4/2002 Bonn D13/158
D463,381 S * 9/2002 Westermann D13/167
6,866,507 B2 * 3/2005 Beerstecher 433/101
6,969,811 B1 * 11/2005 Lai 200/86.5
D517,500 S * 3/2006 Chow et al. D13/167
D519,467 S * 4/2006 Chow et al. D13/167
D519,469 S * 4/2006 Sorenson D13/174
D524,258 S * 7/2006 Sorenson D13/174
D532,755 S * 11/2006 Hori et al. D13/174
7,439,463 B2 * 10/2008 Brenner et al. 200/86.5
D660,255 S * 5/2012 James et al. D13/167
D692,401 S * 10/2013 Li et al. D13/174
2005/0172404 A1 * 8/2005 Diller et al. 5/616
2005/0199520 A1 * 9/2005 Nielsen et al. 206/326

* cited by examiner

Primary Examiner — Selina Sikder

(74) *Attorney, Agent, or Firm* — Dykema Gossett PLLC

(57) **CLAIM**

The ornamental design for a foot switch, as shown and described.

DESCRIPTION

FIG. 1 shows a perspective top view of a foot switch showing my new design,

FIG. 2 is a top plan view thereof,

FIG. 3 is a left side elevational view thereof,

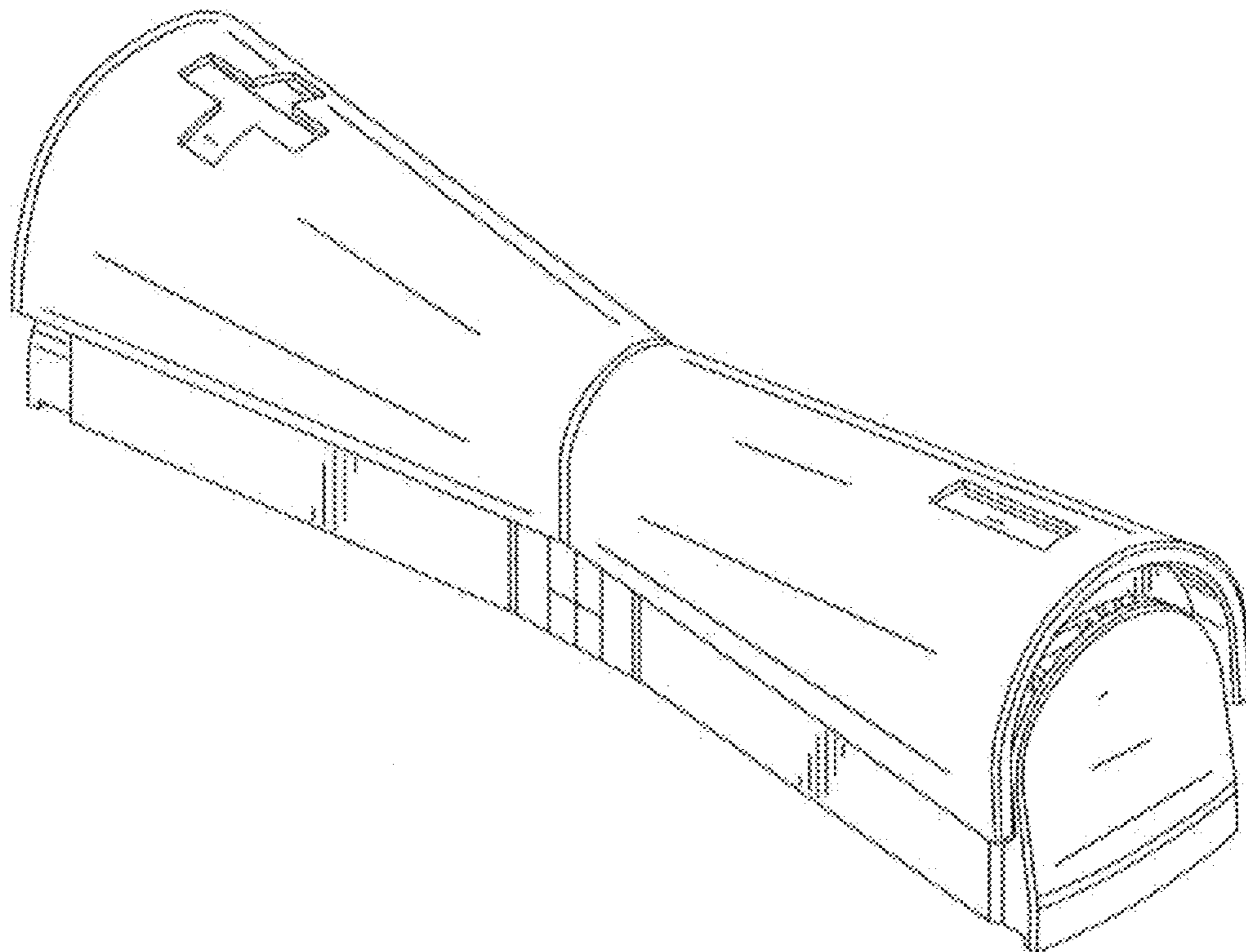
FIG. 4 is a right side elevational view thereof,

FIG. 5 is a front elevational view thereof,

FIG. 6 is a rear elevational view thereof; and,

FIG. 7 is a perspective bottom view thereof.

1 Claim, 2 Drawing Sheets



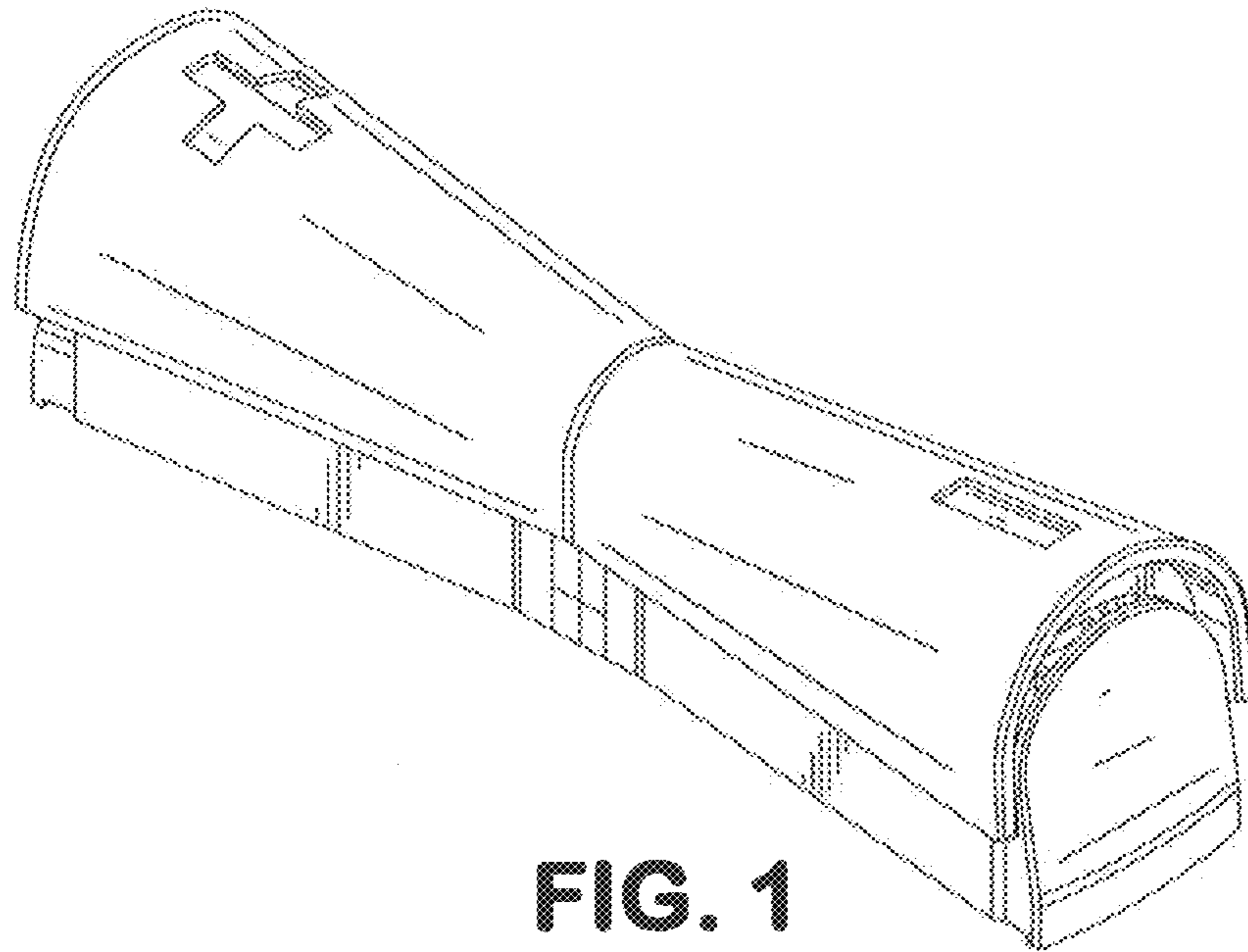


FIG. 1

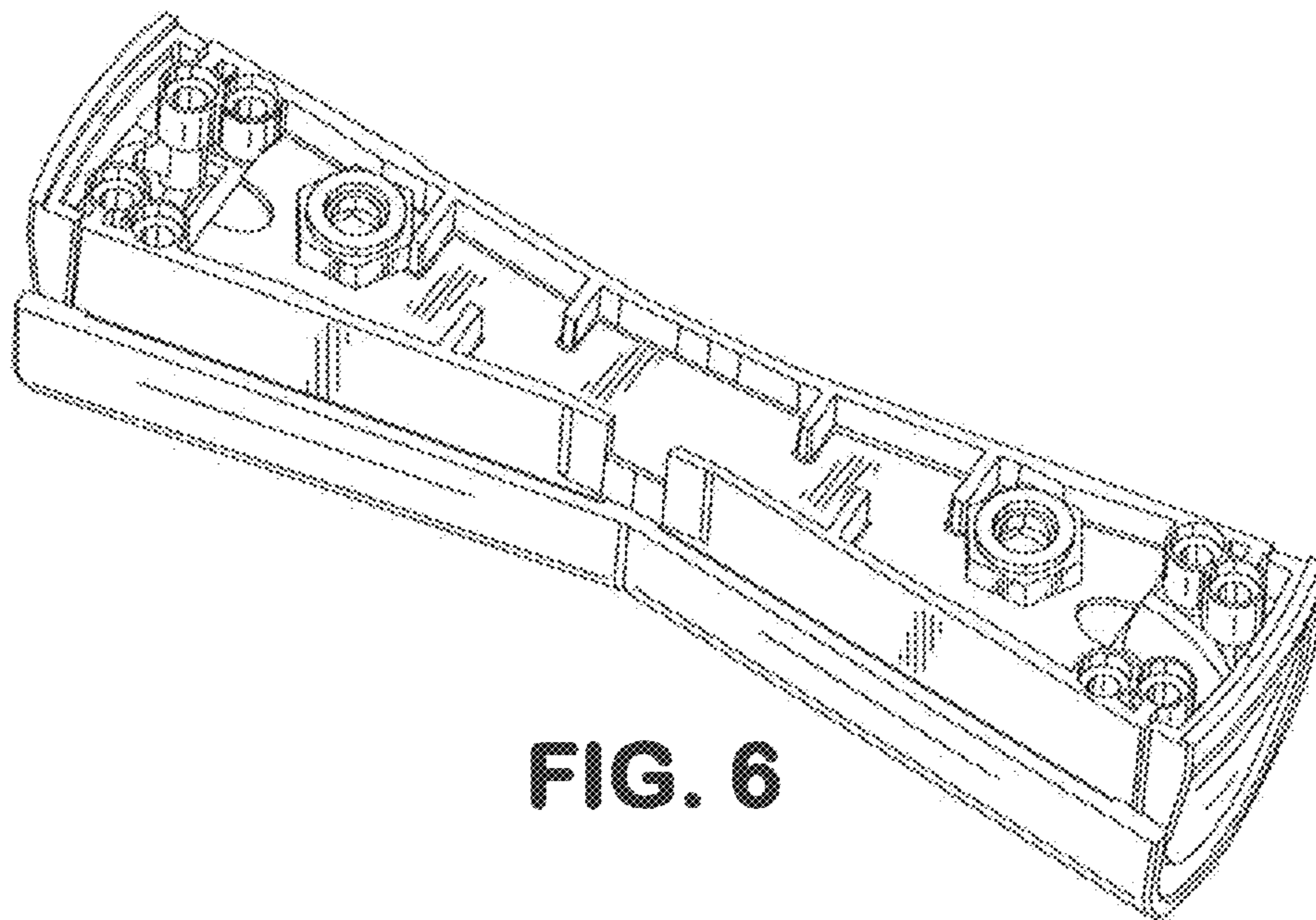


FIG. 6

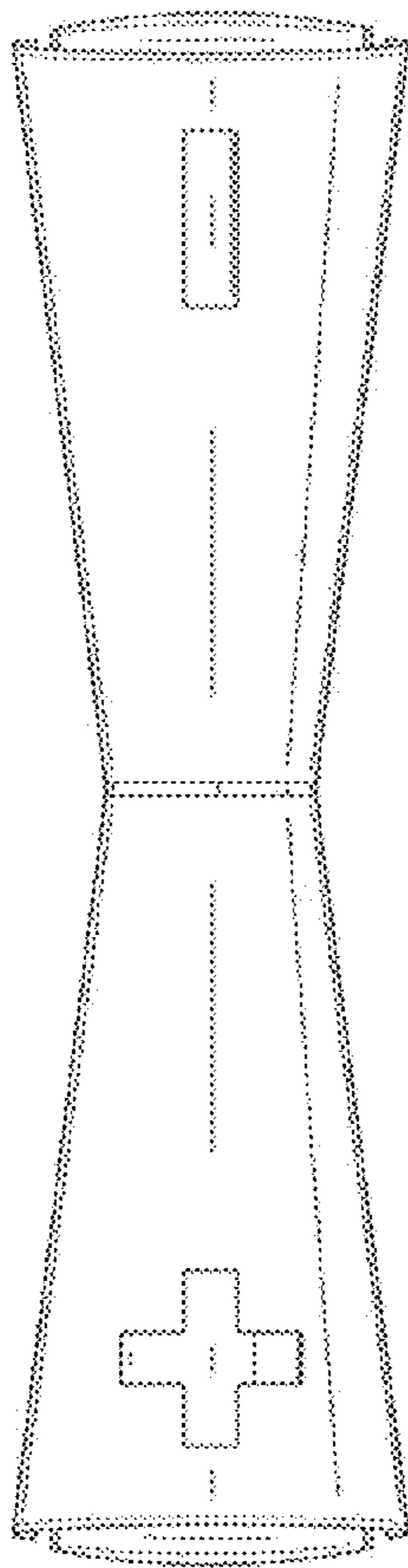


FIG. 2

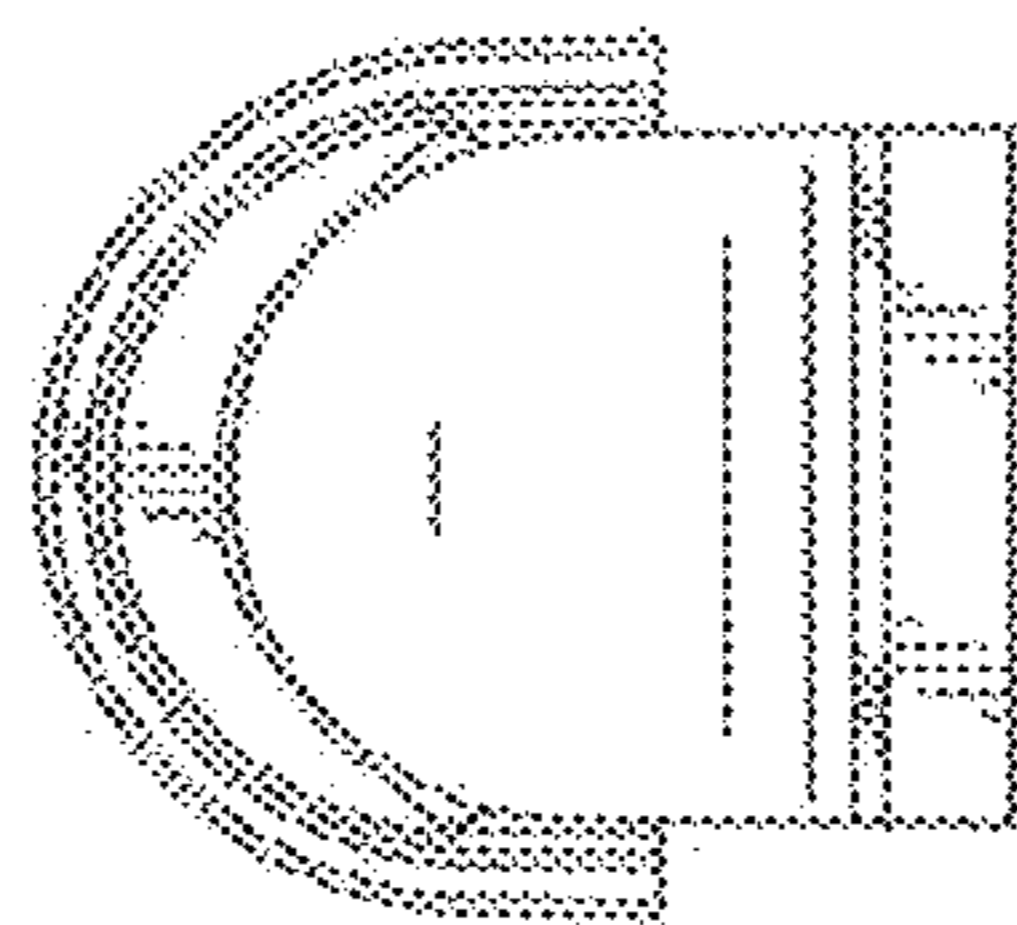


FIG. 4

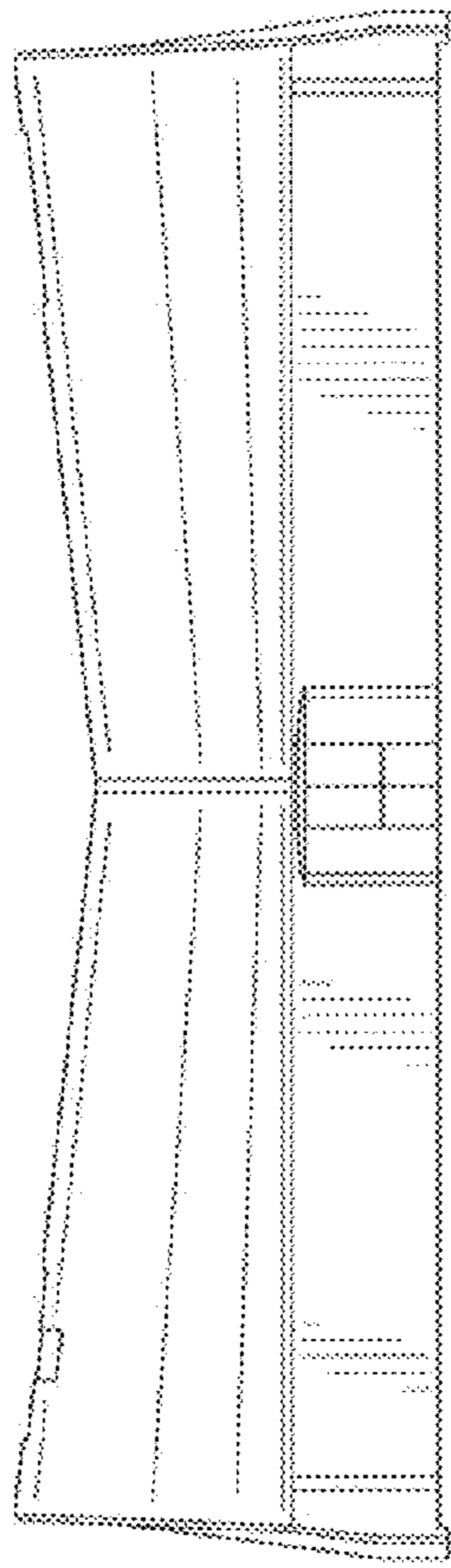


FIG. 3

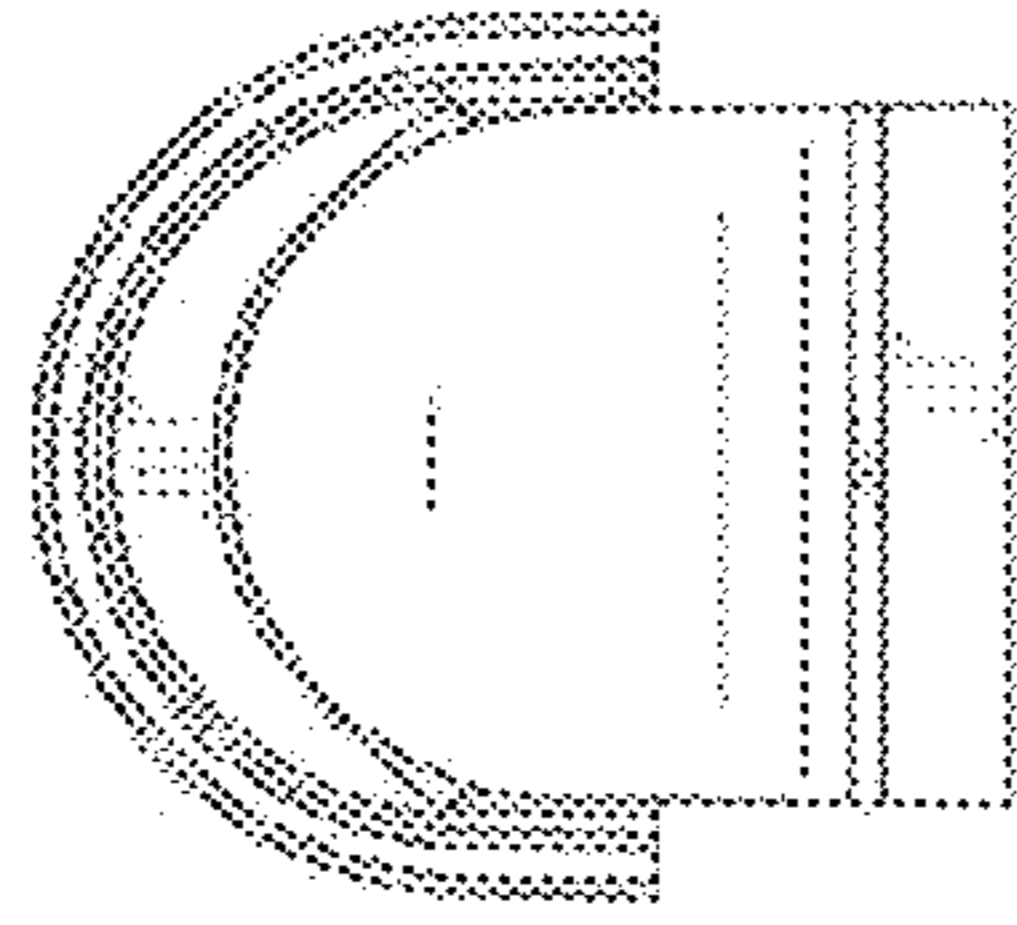


FIG. 5

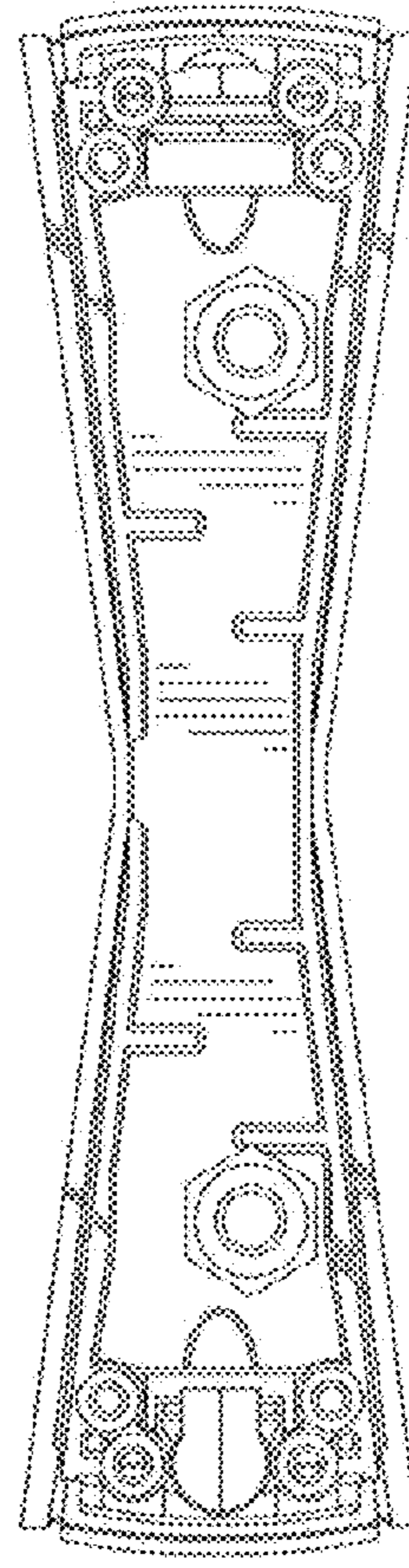


FIG. 7