



US00D715745S

(12) **United States Design Patent**  
**Hurr et al.**

(10) **Patent No.:** **US D715,745 S**  
(45) **Date of Patent:** **\*\* Oct. 21, 2014**

(54) **PHOTOELECTRIC SWITCH**

(75) Inventors: **Christopher James Hurr**, Burnside (AU); **Steven Fraser**, Hendon (AU)

(73) Assignee: **Legend Corporate Services Pty Ltd.** (AU)

(\*\*) Term: **14 Years**

(21) Appl. No.: **29/429,571**

(22) Filed: **Aug. 14, 2012**

(30) **Foreign Application Priority Data**

Feb. 20, 2012 (AU) ..... 10801/2012

(51) **LOC (10) Cl.** ..... **13-03**

(52) **U.S. Cl.**  
USPC ..... **D13/165**

(58) **Field of Classification Search**  
USPC ..... D13/158, 165; D9/445; 200/293, 329,  
200/332.2, 336; 250/214 SE, 221, 229, 239;  
341/31

See application file for complete search history.

(56) **References Cited**

**U.S. PATENT DOCUMENTS**

3,906,222 A \* 9/1975 Astier et al. .... 250/229  
4,207,464 A \* 6/1980 Fukuyama et al. .... 250/239  
4,633,081 A \* 12/1986 Hiramatu ..... 250/239

5,191,209 A \* 3/1993 Rodseth et al. .... 250/229  
D366,616 S \* 1/1996 Knickerbocker ..... D9/445  
5,569,906 A \* 10/1996 Wong ..... 250/205  
5,665,961 A \* 9/1997 Matzka ..... 250/221  
D531,583 S \* 11/2006 Suzuki ..... D13/165  
D542,232 S \* 5/2007 Suzuki ..... D13/165  
7,592,562 B1 \* 9/2009 Vanderwege et al. .... 200/336  
2007/0077058 A1 \* 4/2007 Kontani ..... 396/389  
2009/0166166 A1 \* 7/2009 Onodera ..... 200/336  
2010/0147665 A1 \* 6/2010 Huang et al. .... 200/336  
2013/0292551 A1 \* 11/2013 Chou ..... 250/214 SW

\* cited by examiner

*Primary Examiner* — Selina Sikder

(74) *Attorney, Agent, or Firm* — Adamn K. Sacharoff; Much Shelist

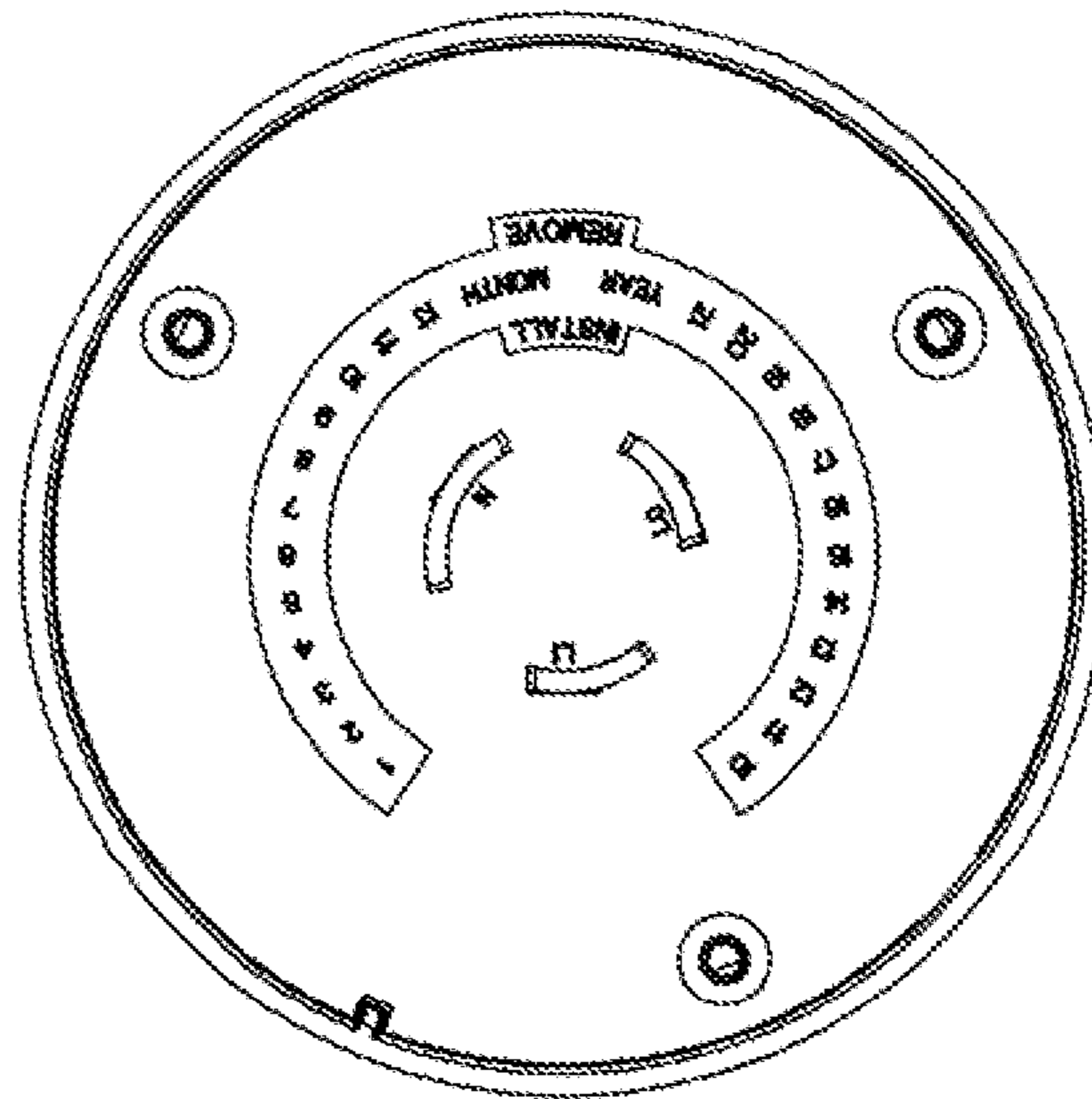
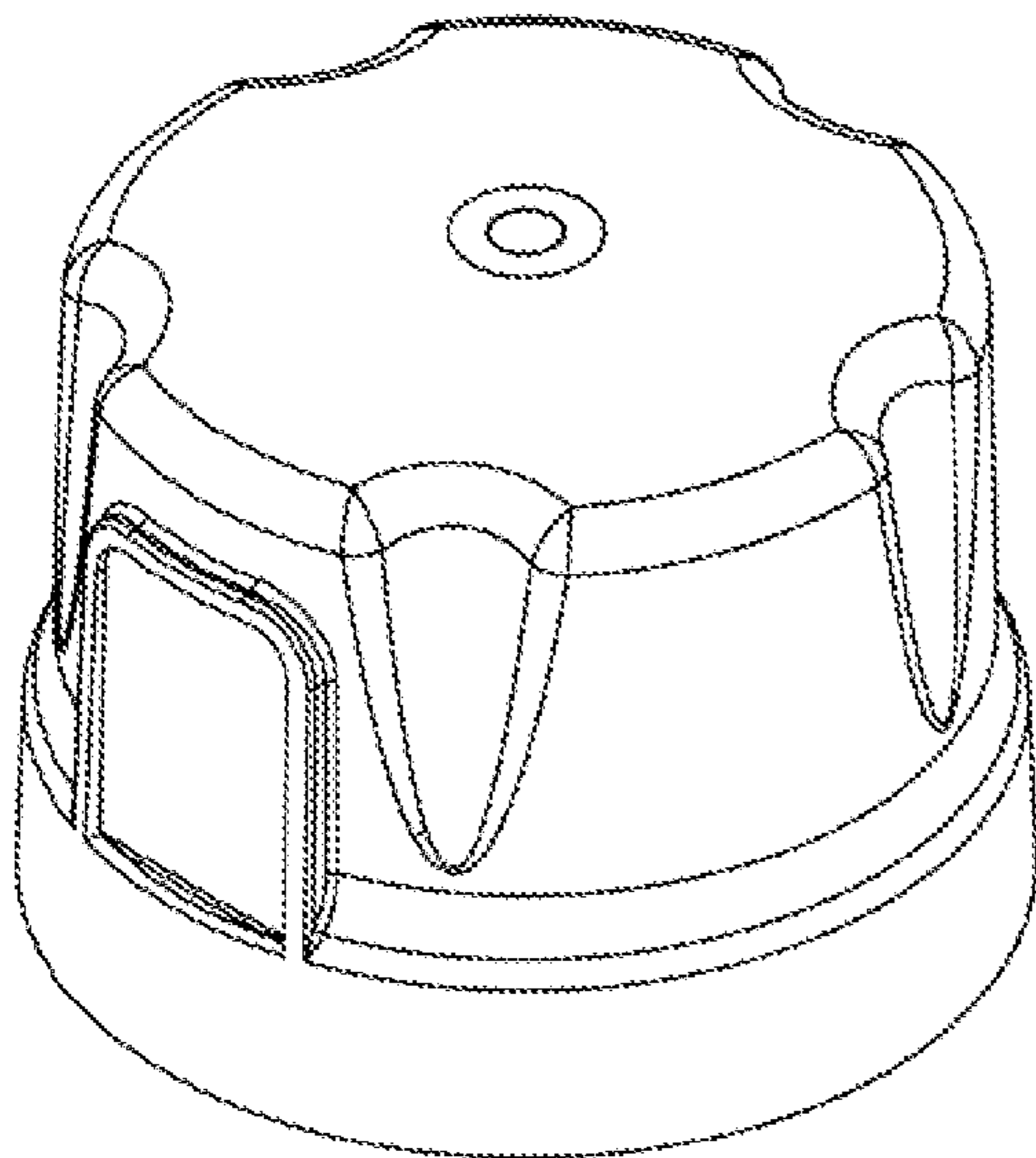
(57) **CLAIM**

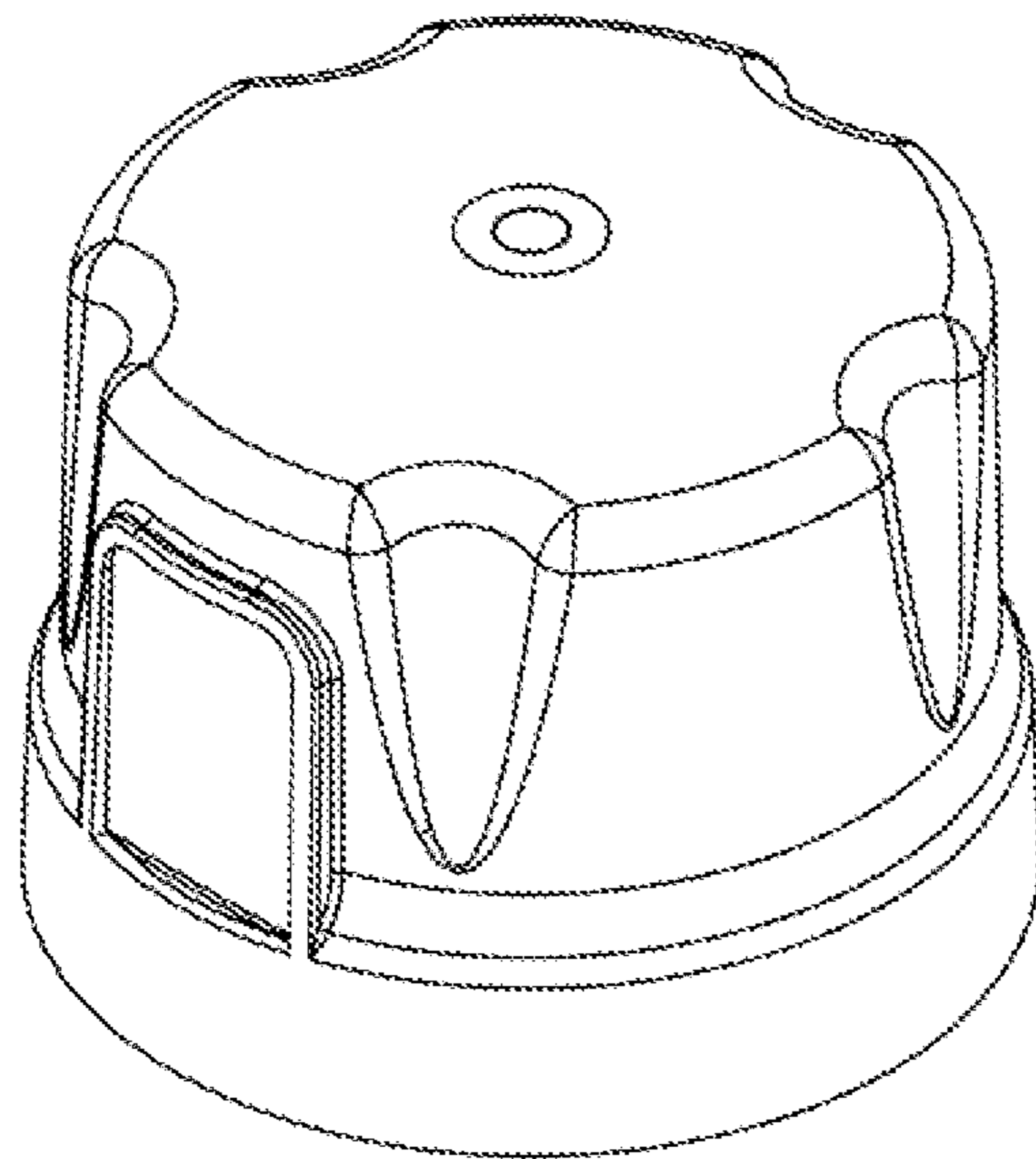
The ornamental design for a photoelectric switch, as shown and described.

**DESCRIPTION**

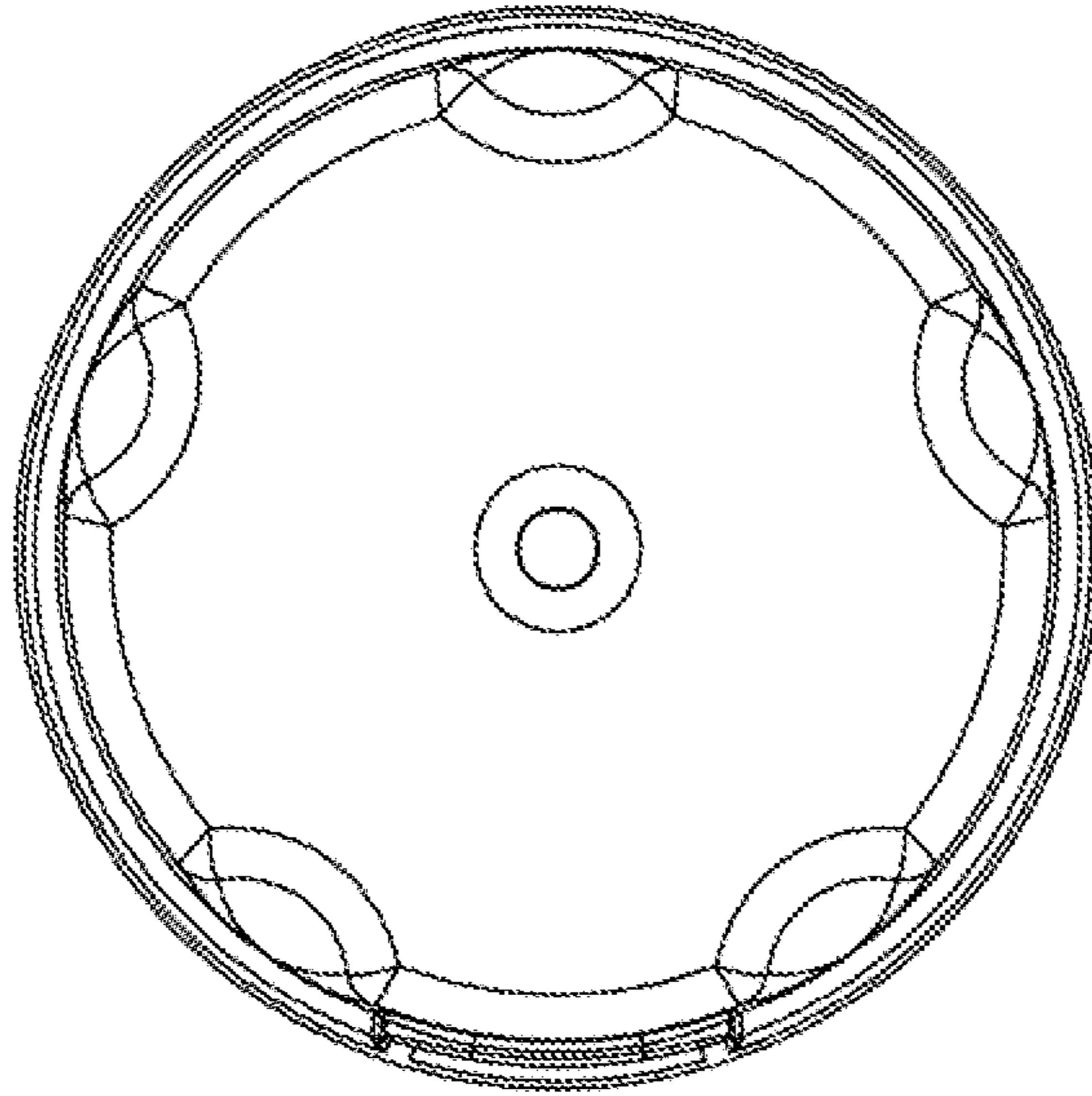
FIG. 1 is a top perspective view showing the photoelectric switch in accordance with the present invention;  
FIG. 2 is a top plan view of FIG. 1;  
FIG. 3 is a bottom plan view of FIG. 1;  
FIG. 4 is a front elevation view of FIG. 1;  
FIG. 5 is a rear elevation view of FIG. 1;  
FIG. 6 is a left side elevation view of FIG. 1; and,  
FIG. 7 is a right side elevation view of FIG. 1.

**1 Claim, 4 Drawing Sheets**

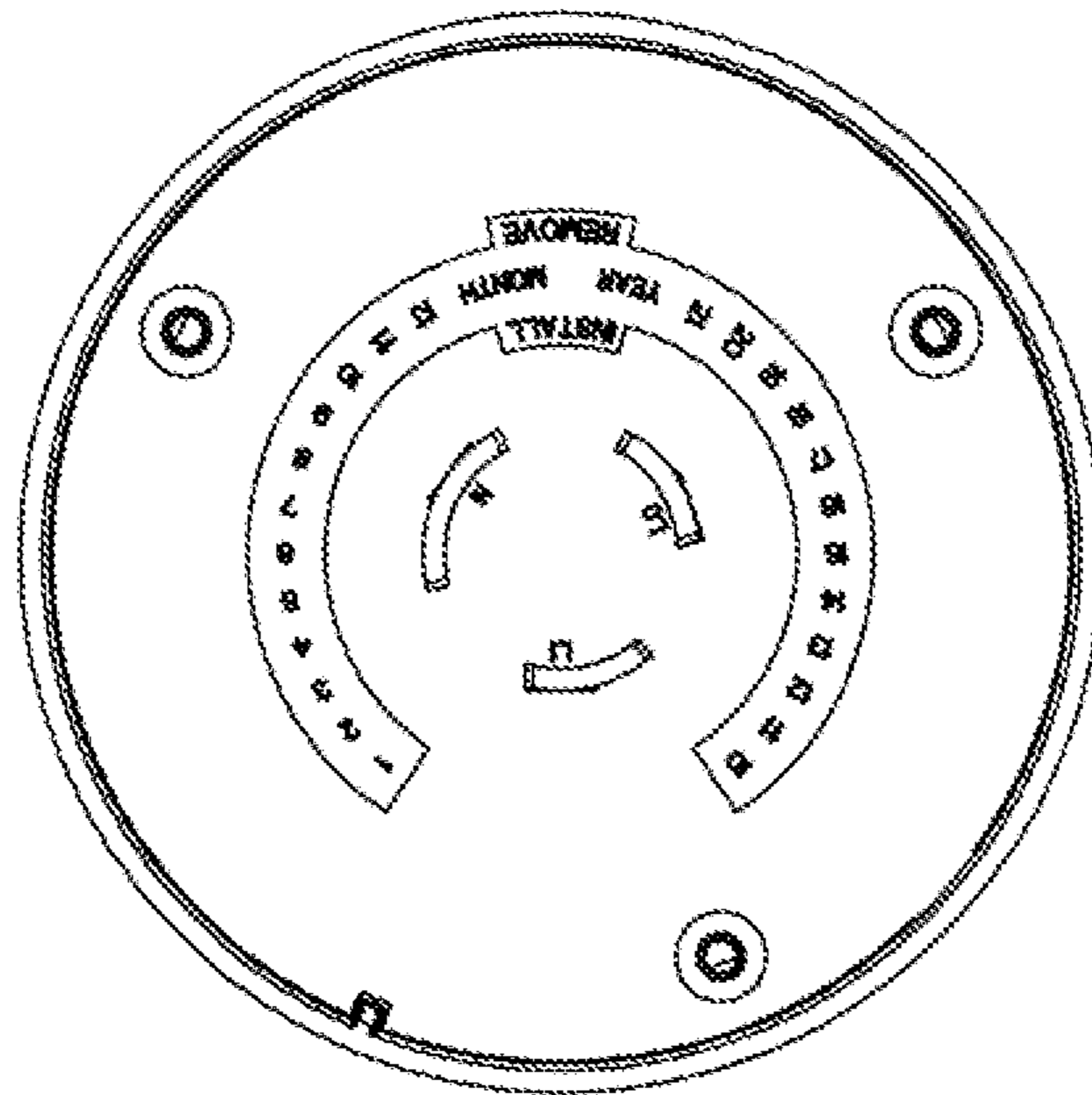




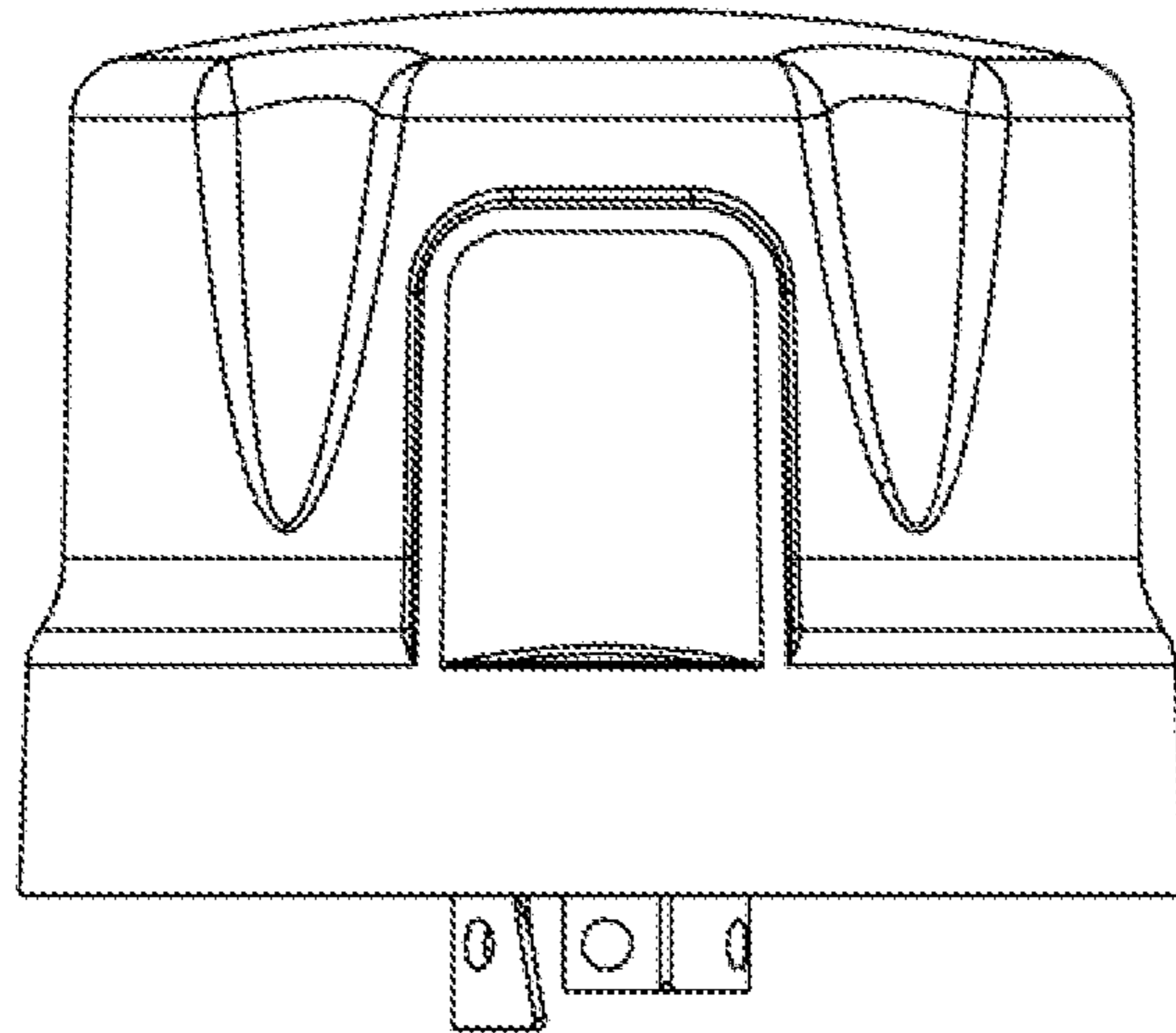
**FIGURE 1**



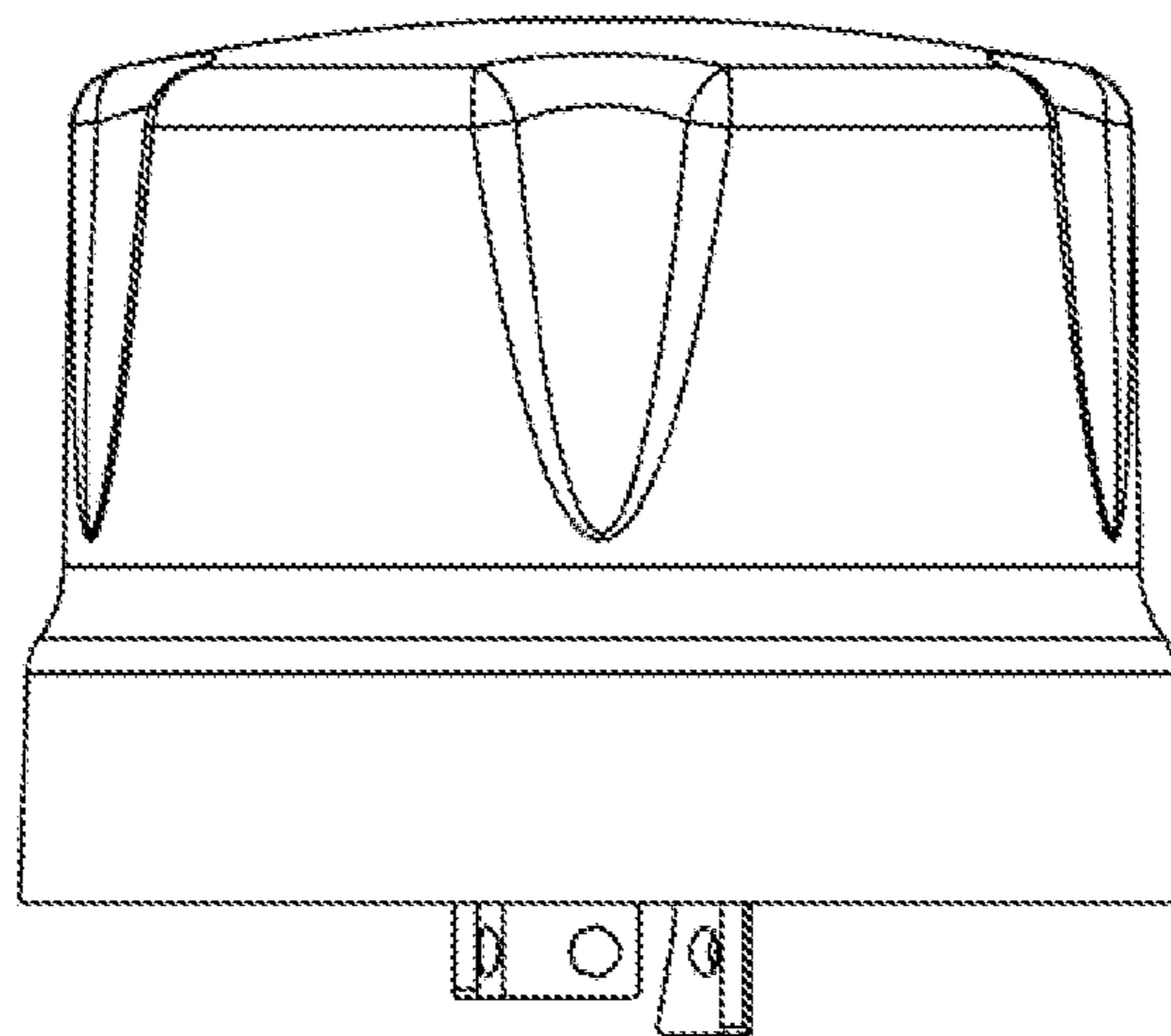
**FIGURE 2**



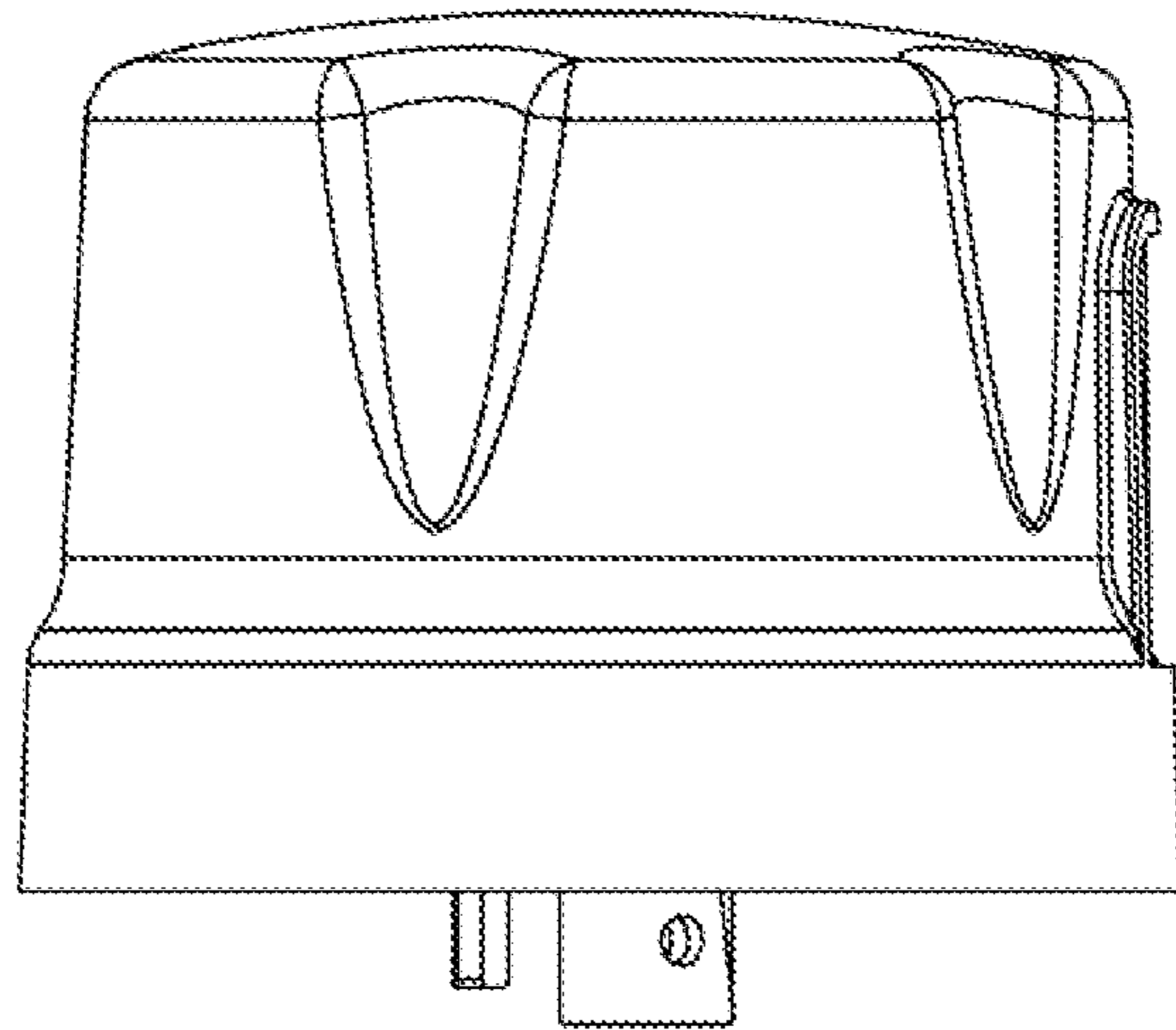
**FIGURE 3**



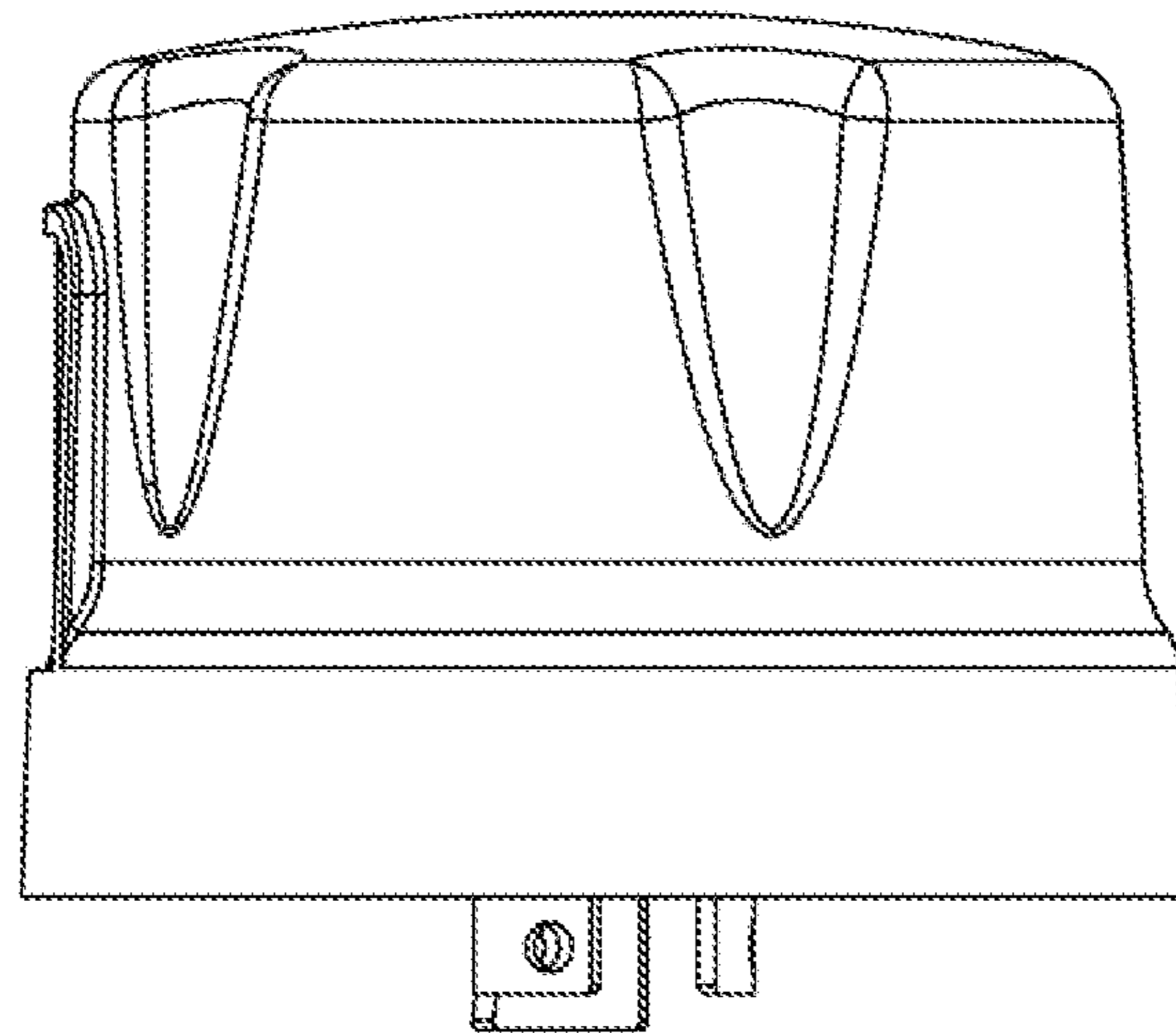
**FIGURE 4**



**FIGURE 5**



**FIGURE 6**



**FIGURE 7**