



US00D715744S

(12) **United States Design Patent**  
**Millevik**

(10) **Patent No.:** **US D715,744 S**

(45) **Date of Patent:** **\*\* Oct. 21, 2014**

(54) **CABLE AND PIPE PENETRATION SEAL**

(71) Applicant: **Roxtec AB**, Karlskrona (SE)

(72) Inventor: **Bo Millevik**, Karlskrona (SE)

(73) Assignee: **Roxtec AB**, Karlskrona (SE)

(\*\*) Term: **14 Years**

(21) Appl. No.: **29/472,512**

(22) Filed: **Nov. 13, 2013**

4,270,250 A	6/1981	Schon	
4,323,088 A	4/1982	McClellan	
4,610,742 A *	9/1986	Rop et al. ....	156/158
D289,138 S	4/1987	Nead	
H379 H	12/1987	Alexander, Jr.	
4,804,158 A *	2/1989	Collins et al. ....	248/74.4
4,840,194 A	6/1989	Berry	
4,919,372 A	4/1990	Twist et al.	
5,220,710 A	6/1993	Laudan et al.	
5,732,180 A	3/1998	Kaplan	
5,736,672 A	4/1998	Huang	
5,795,634 A	8/1998	Fukui	
5,939,676 A	8/1999	Birmingham et al.	
5,960,602 A	10/1999	Goss et al.	
6,107,571 A	8/2000	Damm	

(Continued)

**Related U.S. Application Data**

(60) Continuation of application No. 29/457,005, filed on Jun. 6, 2013, now abandoned, and a division of application No. 29/401,344, filed on Sep. 11, 2011, now abandoned.

**Foreign Application Priority Data**

(30) Mar. 11, 2011 (SE) ..... 1100176-5

(51) **LOC (10) Cl.** ..... **13-03**

(52) **U.S. Cl.**  
USPC ..... **D13/155**

(58) **Field of Classification Search**  
USPC ..... D13/133, 129, 132, 128, 155, 156, 160,  
D13/162, 163, 173, 177, 184, 199; D8/396;  
174/74 R, 72 C, 75 C, 77 R, 377, 382,  
174/386, 521, 524, 650, 656, 659; 248/49,  
248/55, 62, 63, 65, 69, 73, 74.1-74.5  
See application file for complete search history.

(56) **References Cited**

**U.S. PATENT DOCUMENTS**

2,849,027 A	8/1958	Tetyak
3,330,121 A	7/1967	Tait
3,460,788 A	8/1969	Goldman

**OTHER PUBLICATIONS**

Notice of Allowance from related U.S. Appl. No. 29/467,212 dated May 9, 2014.

*Primary Examiner* — Derrick Holland

*Assistant Examiner* — Lauren Calve

(74) *Attorney, Agent, or Firm* — Harness, Dickey & Pierce, P.L.C.

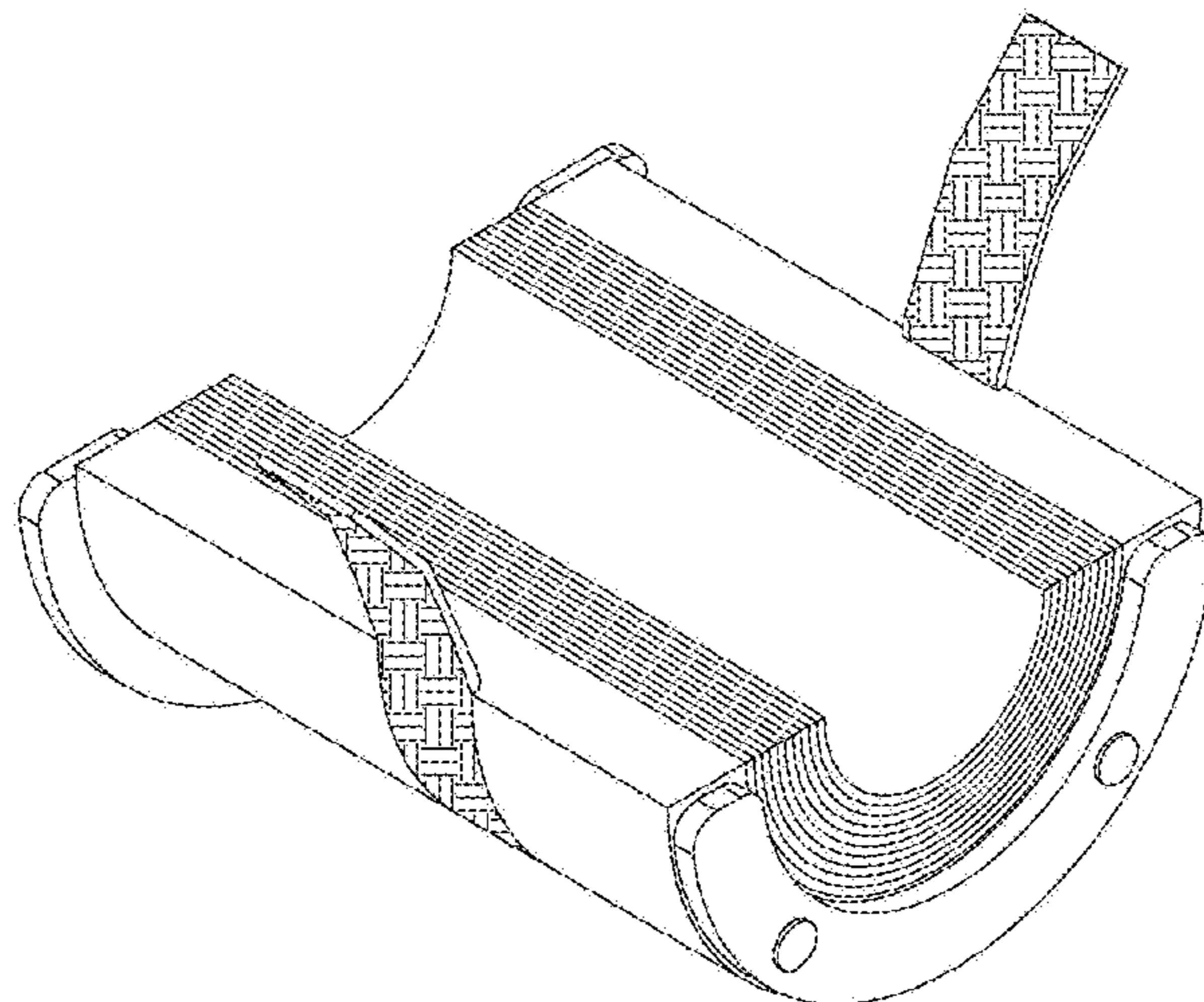
(57) **CLAIM**

The ornamental design for a cable and pipe penetration seal, as shown and described.

**DESCRIPTION**

FIG. 1 is top perspective view of a cable and pipe penetration seal showing my new design;  
FIG. 2 is a first end view thereof;  
FIG. 3 is a first side elevational top view thereof;  
FIG. 4 is a second end view thereof;  
FIG. 5 is a second side elevational view thereof;  
FIG. 6 is a top view thereof; and,  
FIG. 7 is a bottom perspective view thereof.

**1 Claim, 7 Drawing Sheets**



(56)

**References Cited**

U.S. PATENT DOCUMENTS

6,173,926	B1	1/2001	Elvegaard	7,621,487	B2	11/2009	Brown et al.
6,561,466	B1	5/2003	Myers et al.	7,781,684	B2	8/2010	Stuckmann et al.
6,561,723	B2	5/2003	McCurdy et al.	7,790,252	B2	9/2010	Nematollahi
6,627,817	B1	9/2003	Kortenbach	7,861,983	B2*	1/2011	Lange et al. .... 248/74.4
7,010,889	B1	3/2006	Renfro	8,074,945	B2	12/2011	Schoenau et al.
7,178,203	B2	2/2007	Pearson et al.	8,541,699	B2	9/2013	Milton
7,278,190	B2	10/2007	Fischer et al.	D694,192	S*	11/2013	Millevik ..... D13/155
7,411,128	B2	8/2008	Drotleff et al.	2002/0000499	A1	1/2002	Aoki et al.
7,446,267	B2	11/2008	Hedstrom	2009/0026324	A1	1/2009	Hensley et al.
D590,022	S	4/2009	Misumi	2010/0108825	A1	5/2010	Brock
				2011/0248453	A1	10/2011	Johansson et al.
				2012/0032036	A1	2/2012	Andersson et al.

\* cited by examiner

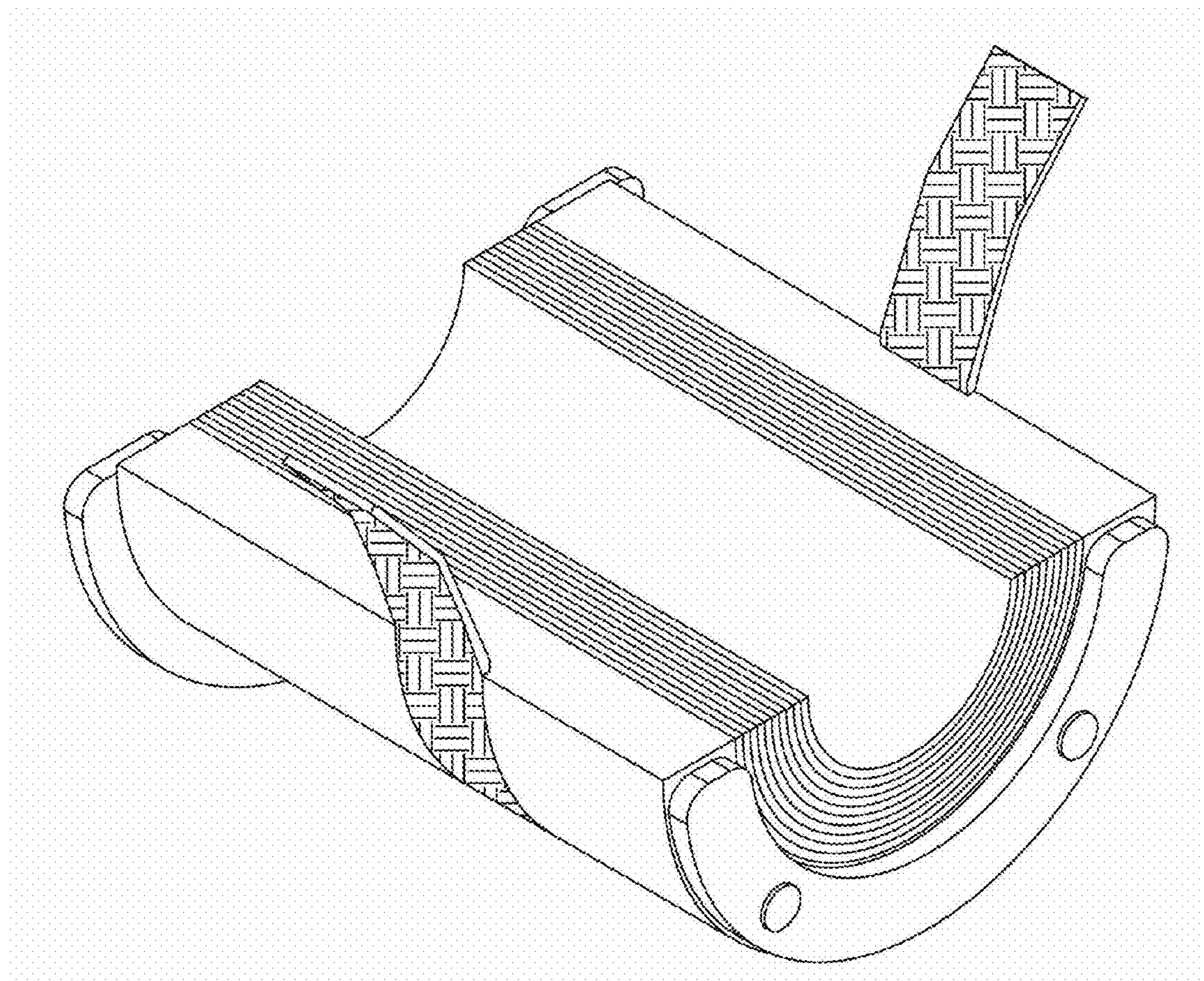


FIG. 1

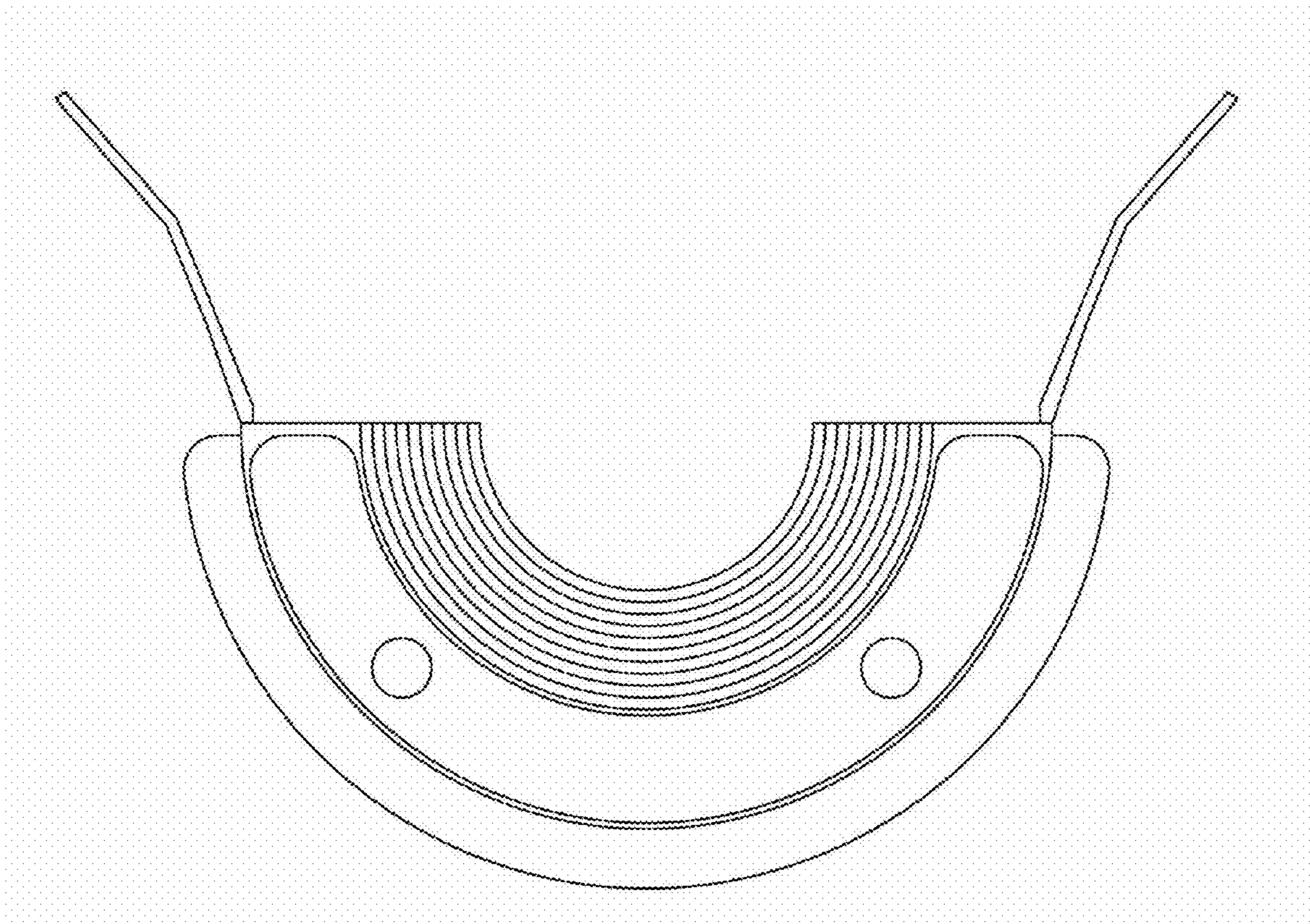


FIG. 2

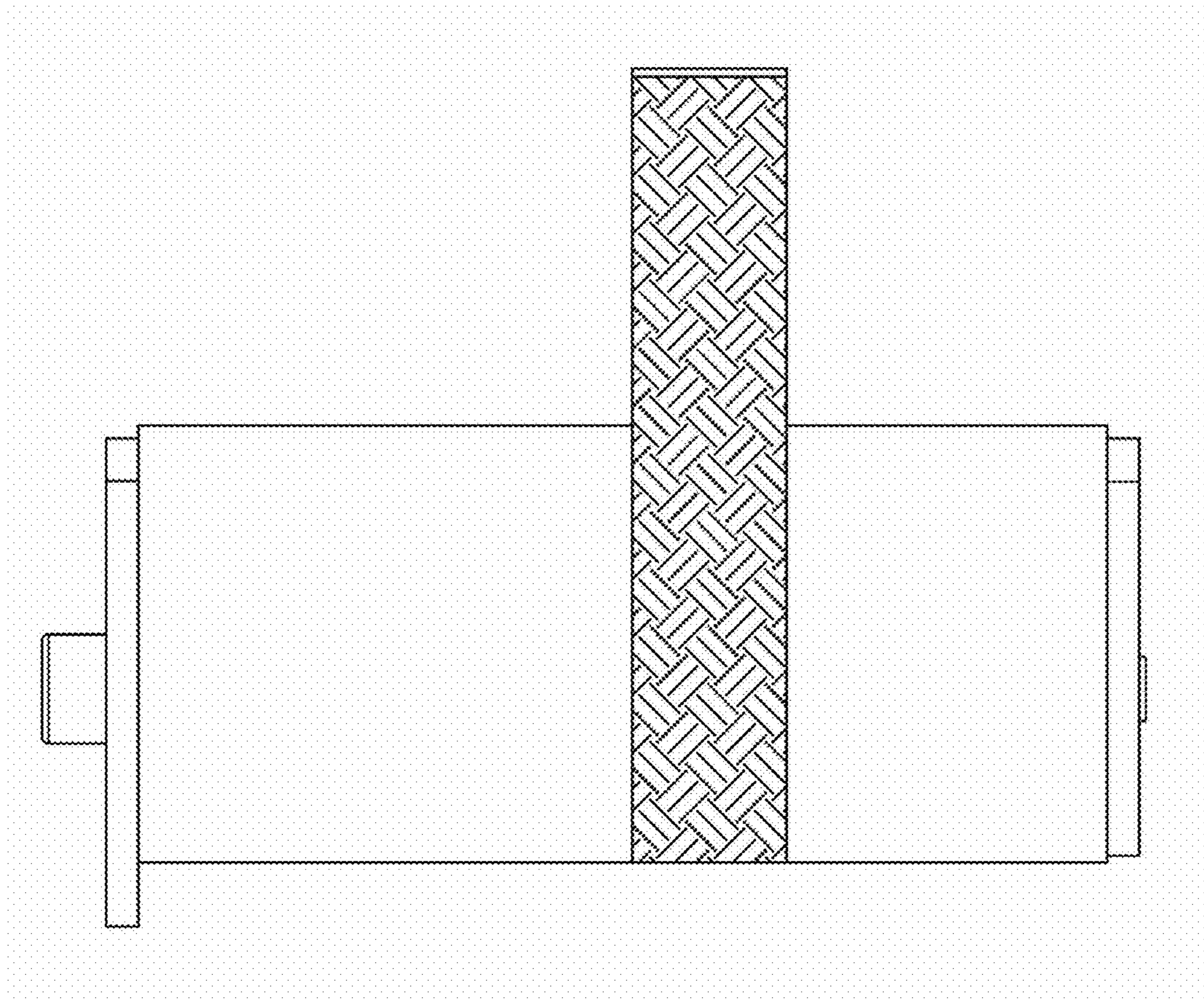


FIG. 3

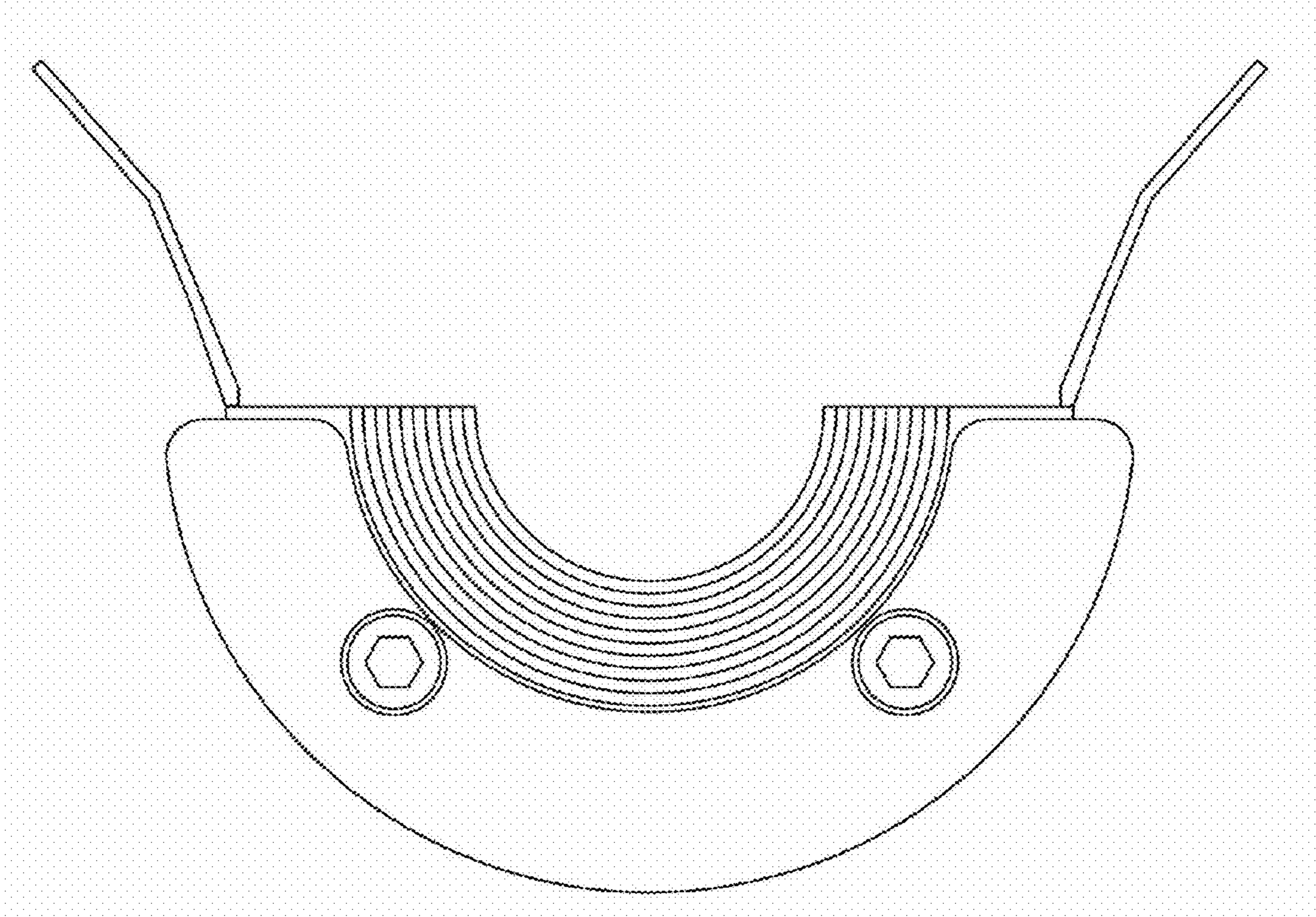


FIG. 4

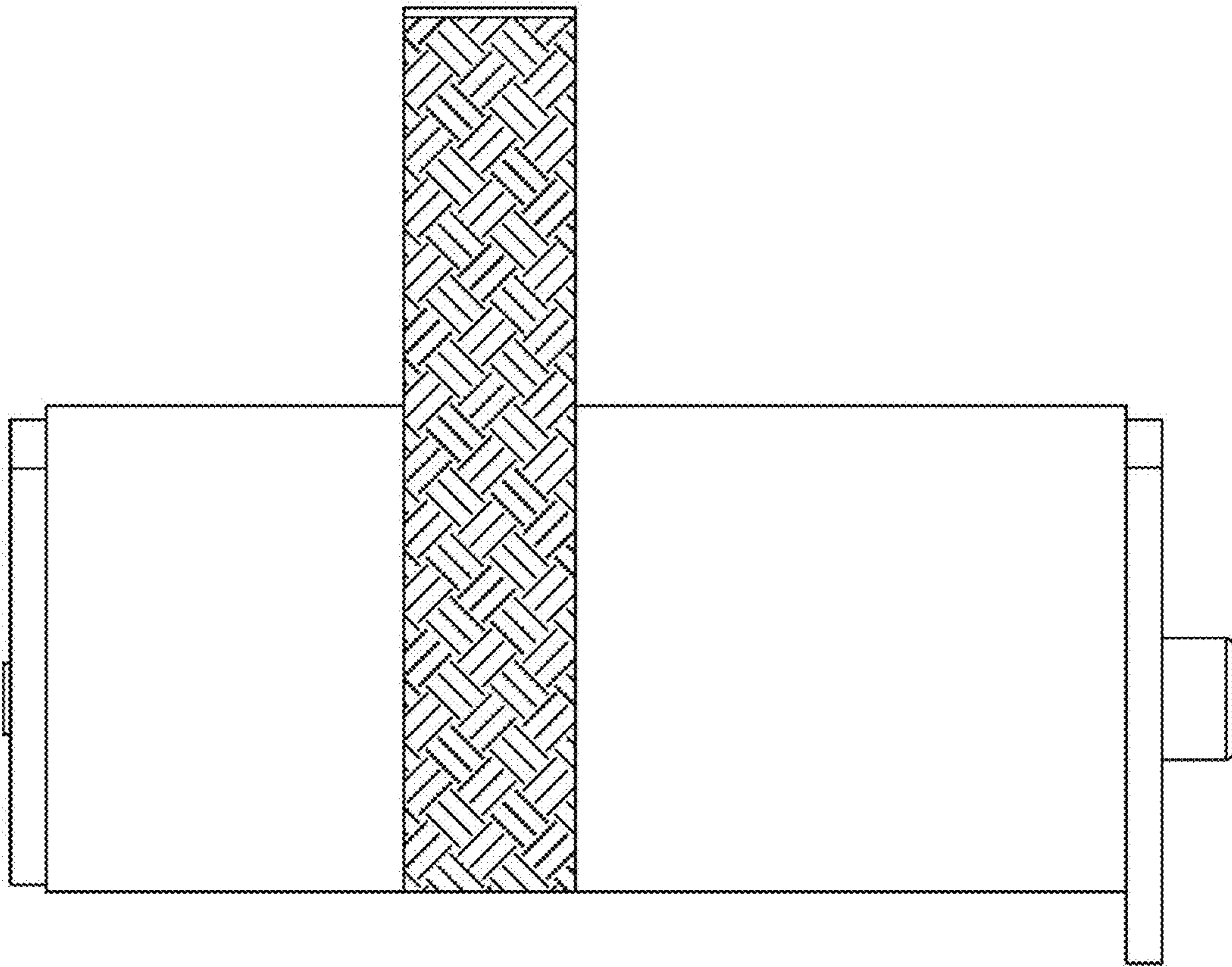


FIG. 5

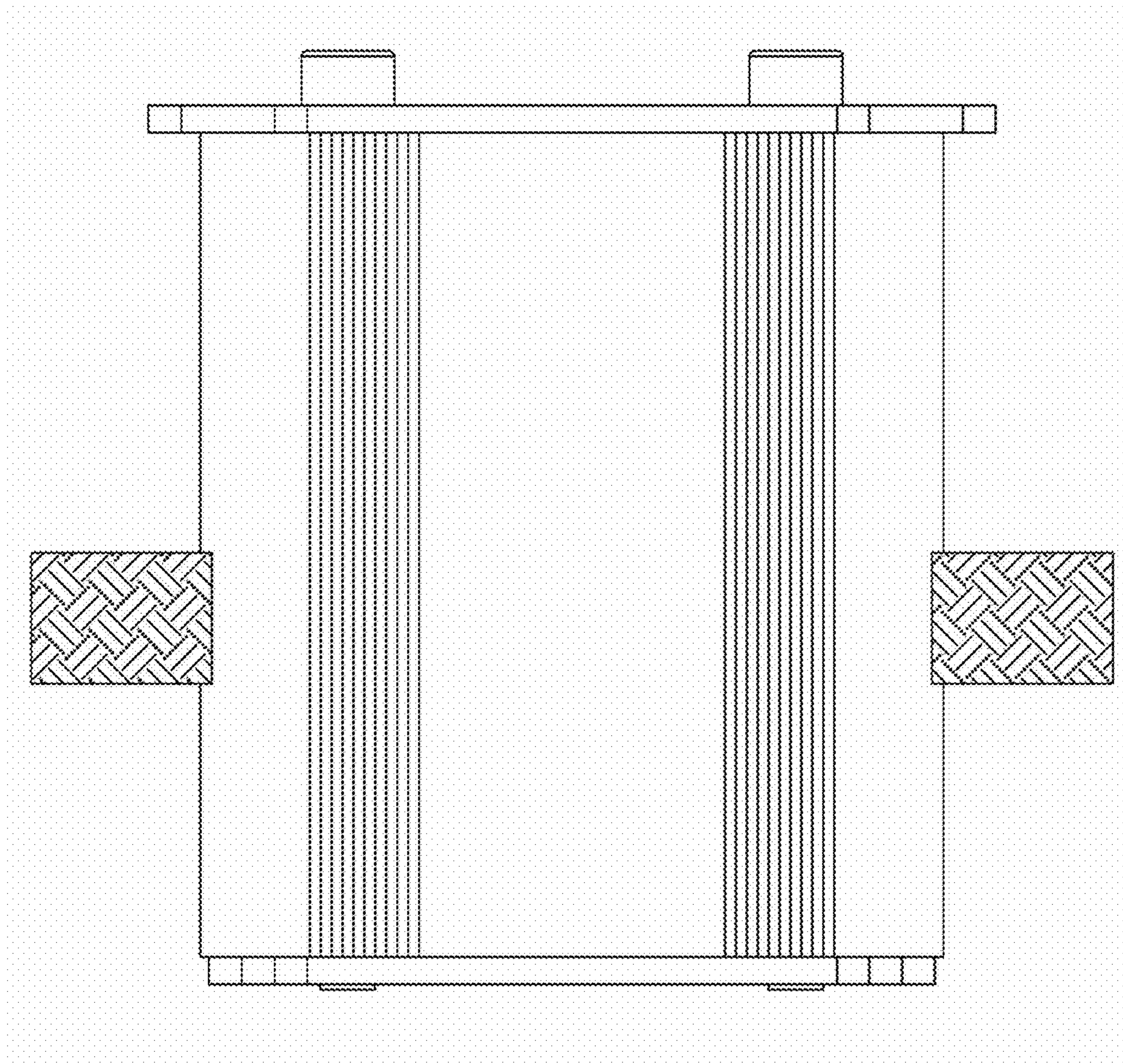


FIG. 6



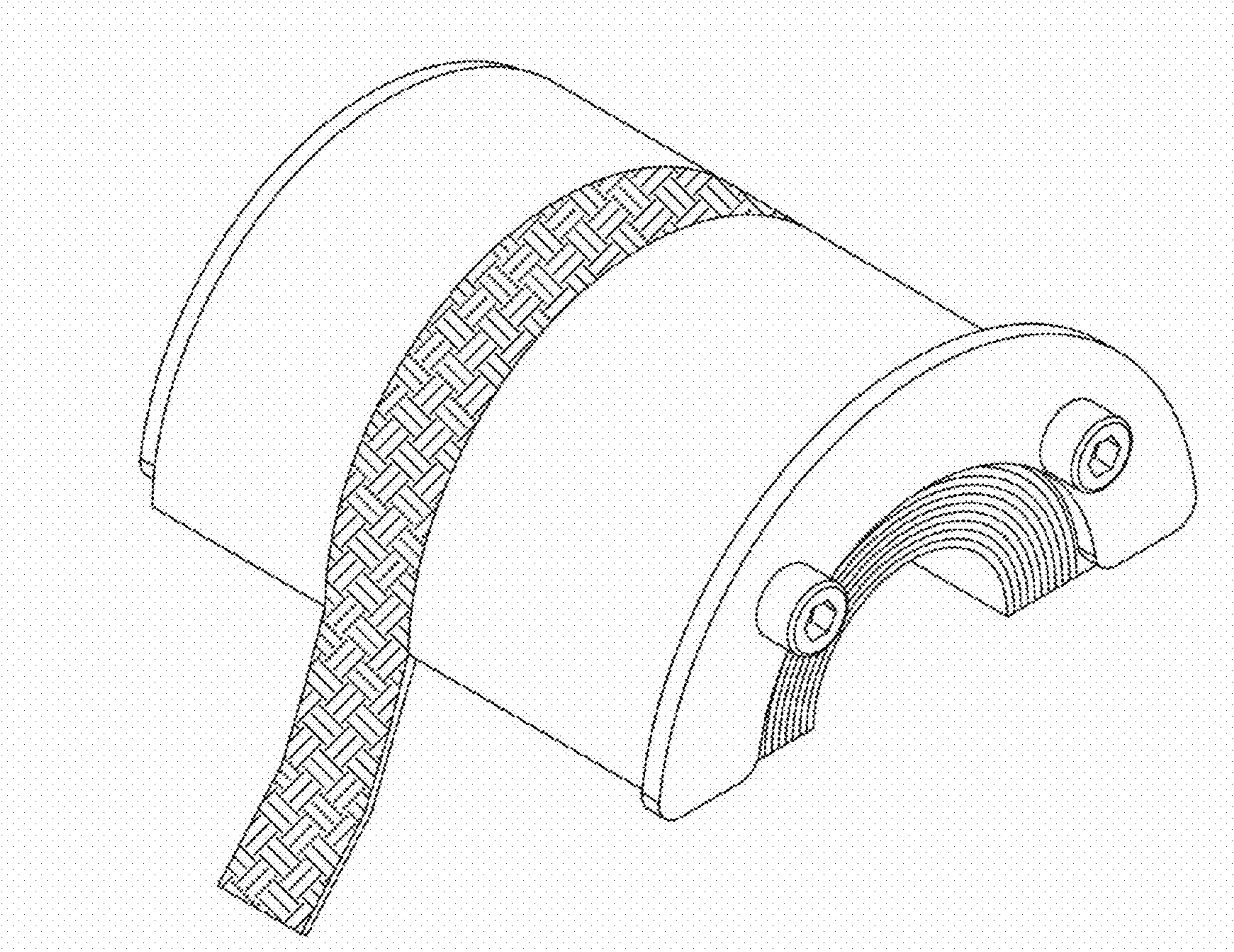


FIG. 7