



US00D715741S

(12) **United States Design Patent**
Dallmeyer et al.

(10) **Patent No.:** **US D715,741 S**

(45) **Date of Patent:** **** Oct. 21, 2014**

- (54) **CABLE ASSEMBLY**
- (71) Applicant: **Microsoft Corporation**, Redmond, WA (US)
- (72) Inventors: **Scott Dallmeyer**, Seattle, WA (US);
Gregory G. Jones, Redmond, WA (US);
Sung Ho Son, Redmond, WA (US); **Saro Nalbandian**, Redmond, WA (US);
Richard Dean Harley, Jr., Sammamish, WA (US)
- (73) Assignee: **Microsoft Corporation**, Redmond, WA (US)
- (**) Term: **14 Years**
- (21) Appl. No.: **29/449,587**
- (22) Filed: **Mar. 15, 2013**
- (51) **LOC (10) Cl.** **13-03**
- (52) **U.S. Cl.**
USPC **D13/146**
- (58) **Field of Classification Search**
USPC D13/146-147, 154, 184, 199; 439/66, 439/74, 79, 188, 344, 345, 346, 350, 351, 439/352, 353, 357, 358, 374, 497, 607.1, 439/607.2, 607.3, 607.4, 607.45, 607.49, 439/607.58, 660, 668, 680, 865, 866, 887, 439/874, 883, 892, 899
See application file for complete search history.

D544,844 S	6/2007	Askeland et al.	
D544,845 S	6/2007	Askeland et al.	
D548,700 S	8/2007	Ledbetter et al.	
D553,089 S	* 10/2007	Victor	D13/147
D561,112 S	* 2/2008	Victor	D13/154
D564,971 S	* 3/2008	Victor	D13/153
D574,786 S	8/2008	Askeland et al.	
D577,343 S	9/2008	Askeland et al.	
D593,954 S	* 6/2009	Lee et al.	D13/154
D635,930 S	* 4/2011	Li et al.	D13/147
D679,656 S	* 4/2013	Richards et al.	D13/147

* cited by examiner

Primary Examiner — Daniel Bui

(74) *Attorney, Agent, or Firm* — Banner & Witcoff, Ltd.

(57) **CLAIM**

The ornamental design for a cable assembly, as shown and described.

DESCRIPTION

FIG. 1 is a top, front and left side perspective view of a cable assembly showing our new design;
 FIG. 2 is a top plan view thereof;
 FIG. 3 is a bottom plan view thereof;
 FIG. 4 is a left side elevation view thereof;
 FIG. 5 is a right side elevation view thereof;
 FIG. 6 is a rear elevation view thereof; and,
 FIG. 7 is a front elevation view thereof.

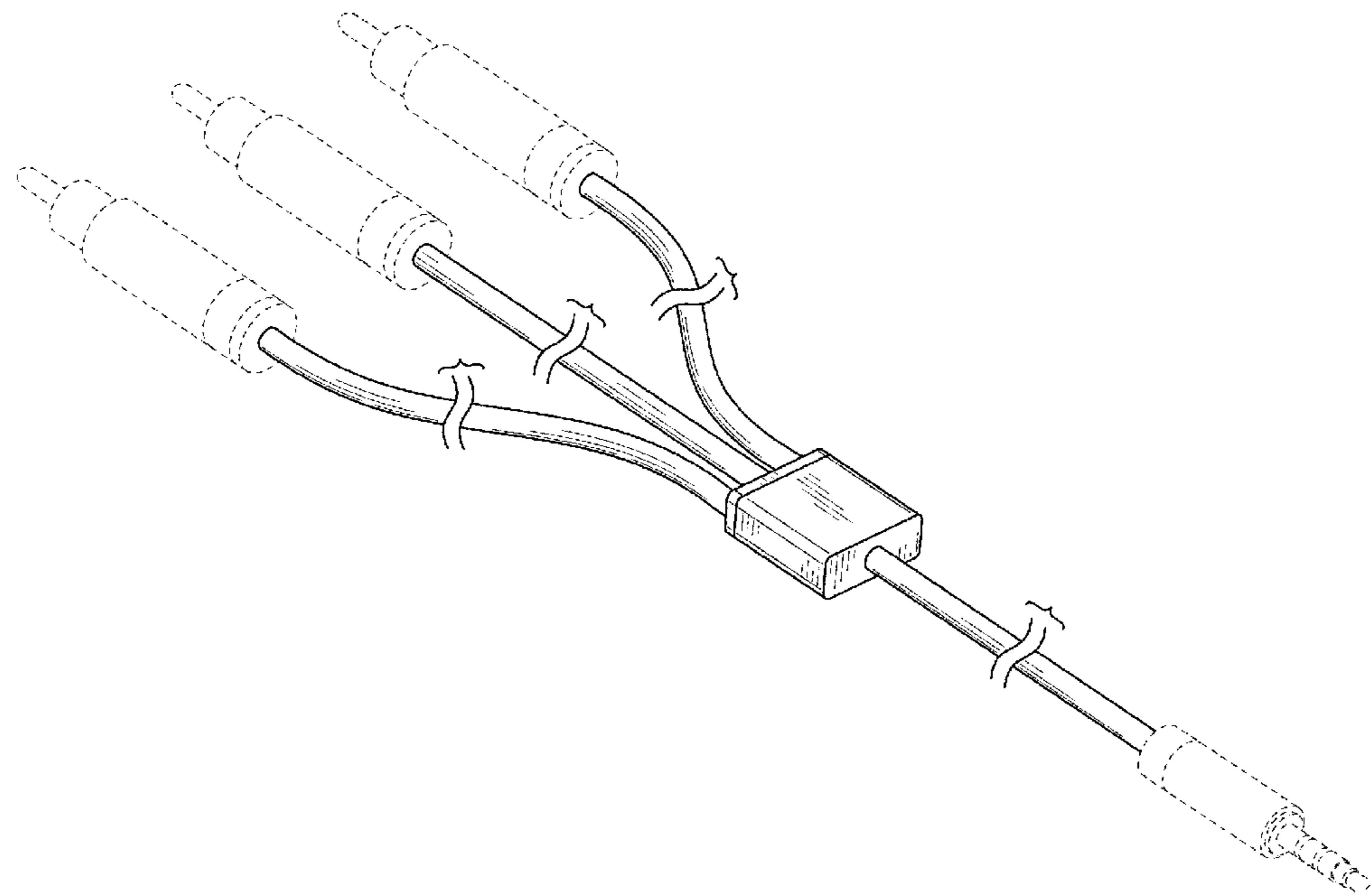
The broken line showing of the ends of the cable assembly in FIGS. 1-7 is for environmental purposes only and forms no part of the claimed design. Portions of the cable assembly are shown separated and bound by a bracket to indicate indeterminate length in FIGS. 1-7.

1 Claim, 4 Drawing Sheets

(56) **References Cited**

U.S. PATENT DOCUMENTS

D449,275 S	* 10/2001	Goto	D13/147
D450,039 S	* 11/2001	Goto	D13/147



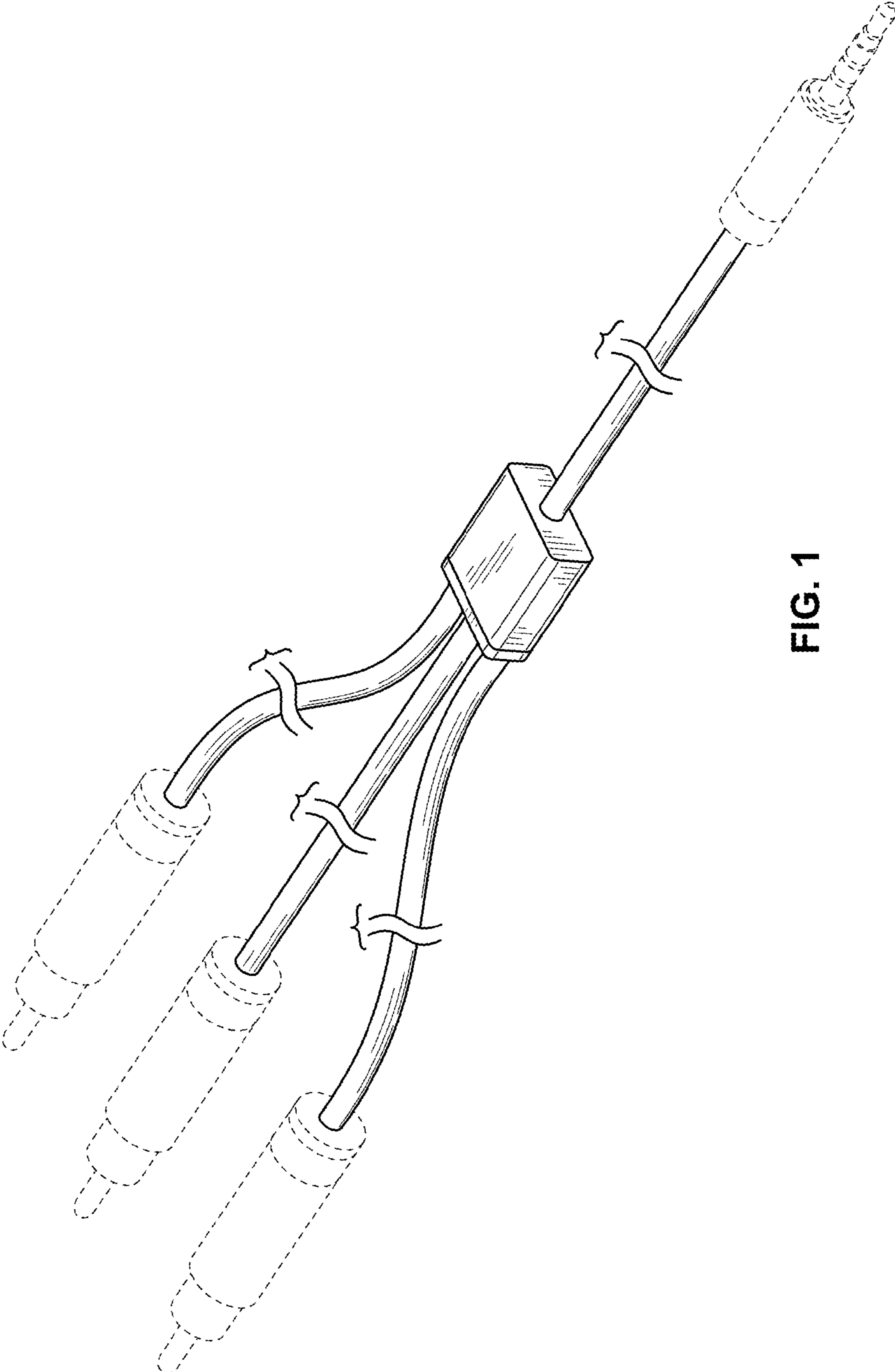


FIG. 1

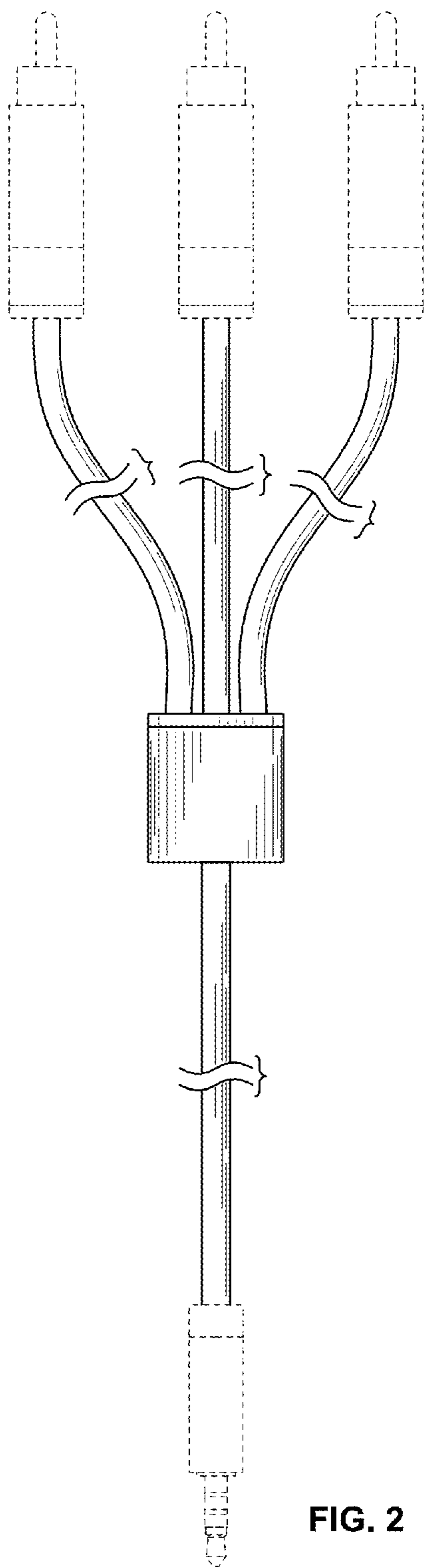


FIG. 2

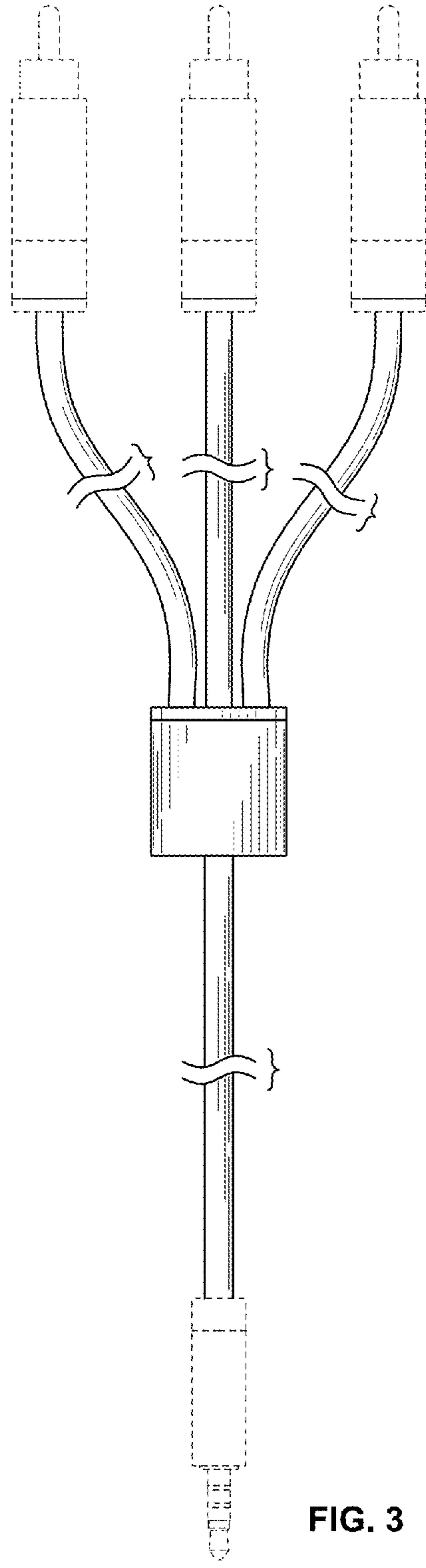


FIG. 3

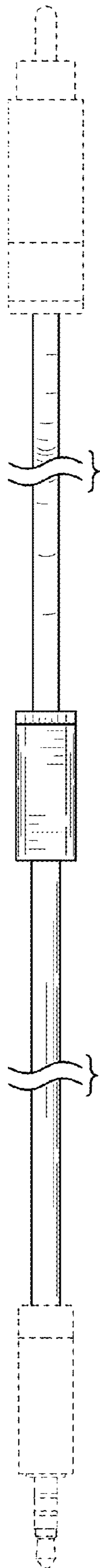


FIG. 4

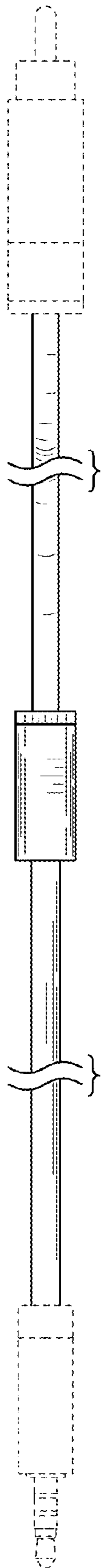


FIG. 5

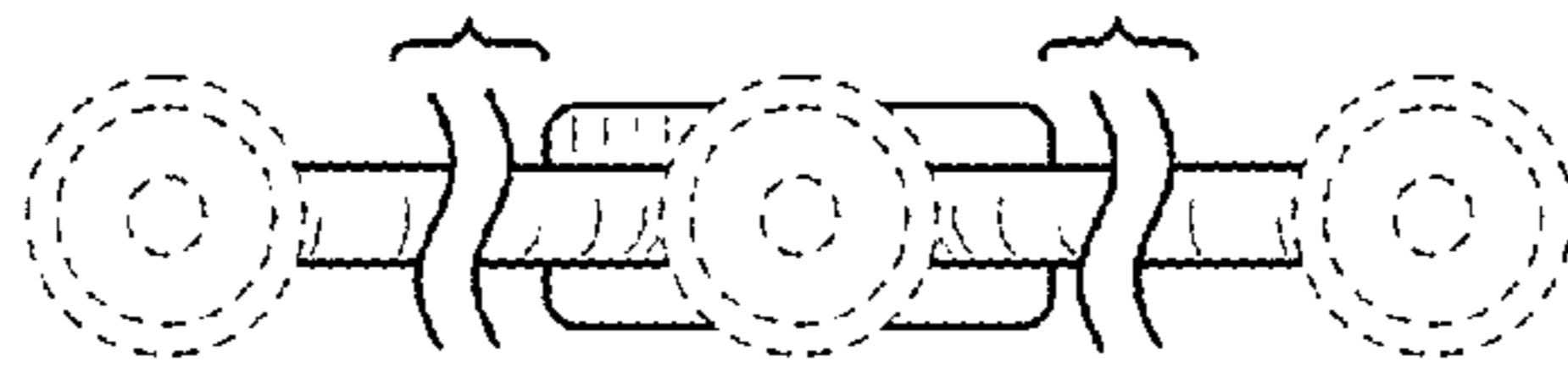


FIG. 6

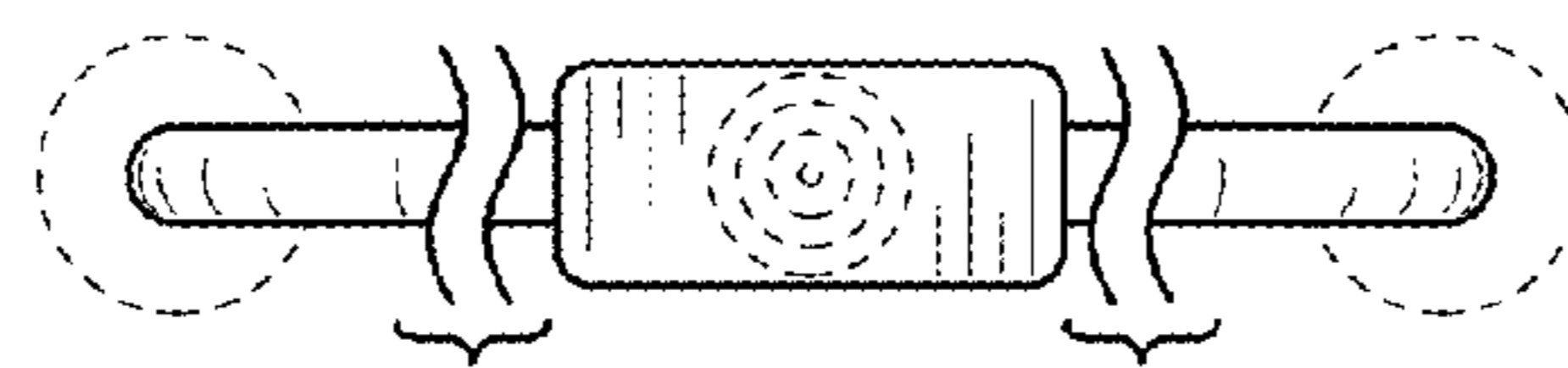


FIG. 7