



US00D715740S

(12) **United States Design Patent**
Byrne et al.

(10) **Patent No.:** **US D715,740 S**
(45) **Date of Patent:** **** Oct. 21, 2014**

(54) **POWER TAP WITH LOW VOLTAGE
CORDLESS CAPABILITY**

(71) Applicants: **Norman R. Byrne**, Ada, MI (US);
Daniel P. Byrne, Lowell, MI (US);
Timothy J. Warwick, Sparta, MI (US)
(72) Inventors: **Norman R. Byrne**, Ada, MI (US);
Daniel P. Byrne, Lowell, MI (US);
Timothy J. Warwick, Sparta, MI (US)

(**) Term: **14 Years**
(21) Appl. No.: **29/480,302**

(22) Filed: **Jan. 24, 2014**
Related U.S. Application Data

(60) Division of application No. 29/439,798, filed on Dec.
(Continued)

(51) **LOC (10) Cl.** **13-03**
(52) **U.S. Cl.**
USPC **D13/139.4**

(58) **Field of Classification Search**
USPC D13/107, 109, 110, 112, 114, 130, 132,
D13/137, 137.1, 137.2, 137.3, 137.4, 138.1,
D13/139.1, 139.2, 139.4, 139.5, 139.7,
D13/139.8, 146, 147, 152, 160, 161, 164,
D13/199; 361/641
See application file for complete search history.

(56) **References Cited**

U.S. PATENT DOCUMENTS

4,984,982 A 1/1991 Brownlie et al.
D454,541 S * 3/2002 Gershfeld D13/139.4
(Continued)

FOREIGN PATENT DOCUMENTS

WO WO2011156814 A1 6/2011

OTHER PUBLICATIONS

International Search Report and Written Opinion of the International
Searching Authority for International Application PCT/US2011/
040207, dated Oct. 3, 2011.

(Continued)

Primary Examiner — Ian Simmons
Assistant Examiner — Rhea Shields

(74) *Attorney, Agent, or Firm* — Gardner, Linn, Burkhardt &
Flory, LLP

(57) **CLAIM**

The ornamental design for a power tap with low voltage
cordless capability, as shown and described.

DESCRIPTION

FIG. 1 is a front perspective view of a power tap with low
voltage cordless capability showing our new design mounted
in an operating environment and with its doors shown in a
closed position;

FIG. 2 is another front perspective view of the power tap with
low voltage cordless capability of FIG. 1, shown in the oper-
ating environment and with its doors shown in an open posi-
tion;

FIG. 3 is a front perspective view of the power tap with low
voltage cordless capability of FIG. 2;

FIG. 4 is a rear perspective view of the power tap with low
voltage cordless capability of FIG. 2;

FIG. 5 is a front elevation of the power tap with low voltage
cordless capability of FIG. 2;

FIG. 6 is a rear elevation of the power tap with low voltage
cordless capability of FIG. 2;

FIG. 7 is a right side elevation of the power tap with low
voltage cordless capability of FIG. 2;

FIG. 8 is a left side elevation of the power tap with low voltage
cordless capability of FIG. 2;

FIG. 9 is a top plan view of the power tap with low voltage
cordless capability of FIG. 2;

FIG. 10 is a front elevation of the power tap with low voltage
cordless capability of FIG. 1;

FIG. 11 is a rear elevation of the power tap with low voltage
cordless capability of FIG. 1;

FIG. 12 is a right side elevation of the power tap with low
voltage cordless capability of FIG. 1;

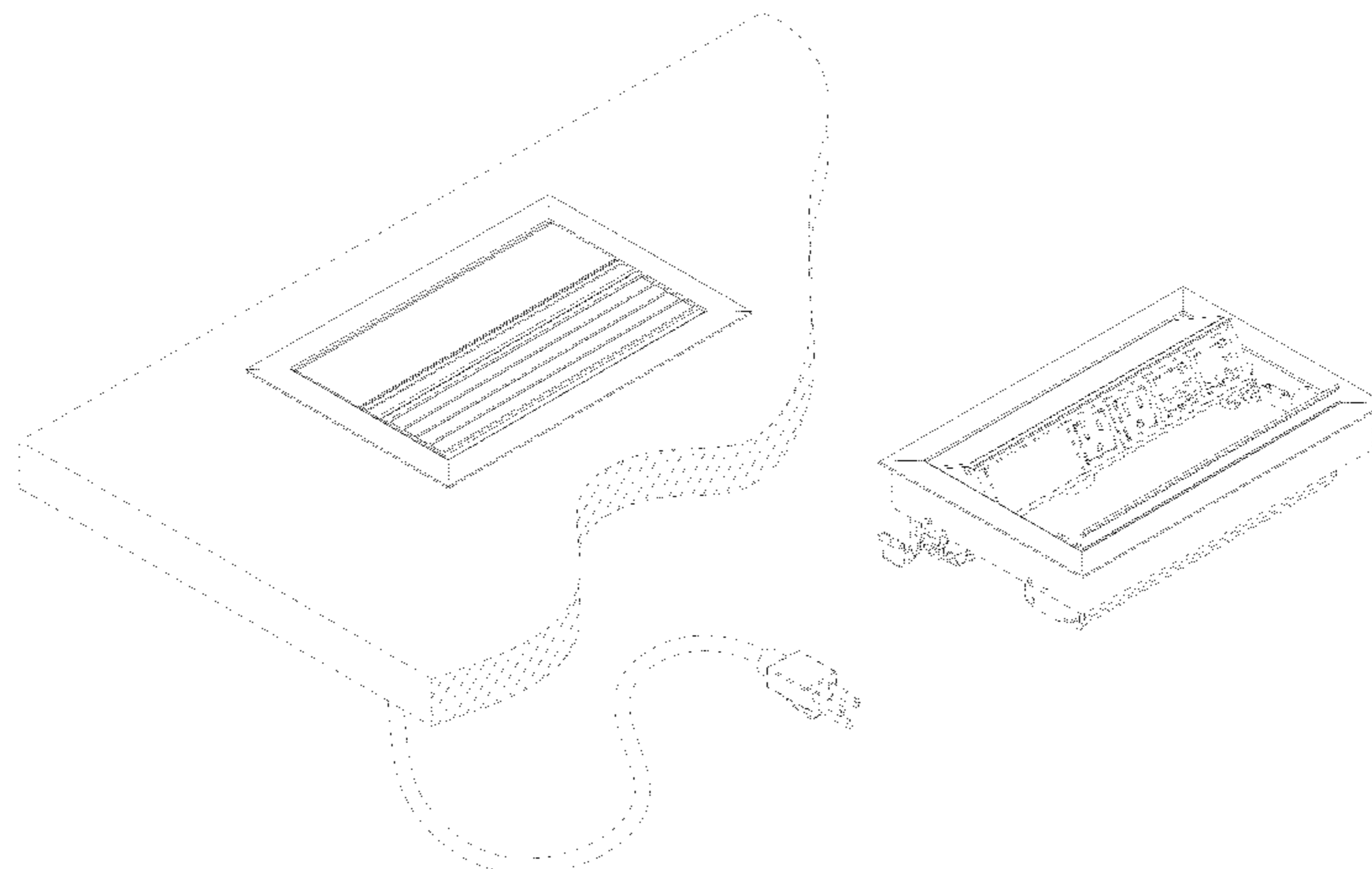
FIG. 13 is a left side elevation of the power tap with low
voltage cordless capability of FIG. 1;

FIG. 14 is a top plan view of the power tap with low voltage
cordless capability of FIG. 1; and,

FIG. 15 is a rear perspective view of the power tap with low
voltage cordless capability of FIG. 1.

The broken lines in the figures represent unclaimed environ-
ment only and form no part of the claimed design.

1 Claim, 8 Drawing Sheets



Related U.S. Application Data

14, 2012, which is a continuation-in-part of application No. 13/385,008, filed on Jan. 27, 2012, which is a continuation of application No. 13/159,070, filed on Jun. 13, 2011, now abandoned.

(56)

References Cited

U.S. PATENT DOCUMENTS

D467,230	S	12/2002	Byrne	
D472,213	S *	3/2003	Byrne	D13/139.4
D498,211	S *	11/2004	Thibault	D13/155
D526,961	S *	8/2006	Kissinger et al.	D13/139.4
D535,257	S *	1/2007	Byrne	D13/139.4
D537,039	S *	2/2007	Pincek	D13/139.4
D626,069	S *	10/2010	Byrne	D13/139.4
D626,070	S *	10/2010	Byrne	D13/139.4
D639,244	S *	6/2011	Byrne	D13/139.4
D649,514	S *	11/2011	Byrne	D13/139.4

D660,237	S *	5/2012	Byrne	D13/139.4
D665,355	S *	8/2012	Byrne	D13/139.4
D666,556	S *	9/2012	Byrne	D13/139.4
8,287,292	B2	10/2012	Byrne	
8,295,036	B2	10/2012	Byrne	
D685,329	S	7/2013	Byrne et al.	
2004/0026998	A1	2/2004	Henriott et al.	
2008/0200050	A1	8/2008	Byrne	
2009/0096413	A1	4/2009	Partovi et al.	
2009/0142947	A1	6/2009	Byrne	
2012/0200989	A1	8/2012	Byrne et al.	

OTHER PUBLICATIONS

Excerpt from D4 Electrical Furniture Specialists website, at http://www.d-4.co.za/pivot_range_in_desk_electrical_outlet.html.
Identified on Dec. 20, 2012.

Excerpt from Alibaba.com website, at http://www.alibaba.com/product-gs/516126812/Network_and_AC_power_table_outlet.html.
Identified on Dec. 20, 2012.

* cited by examiner

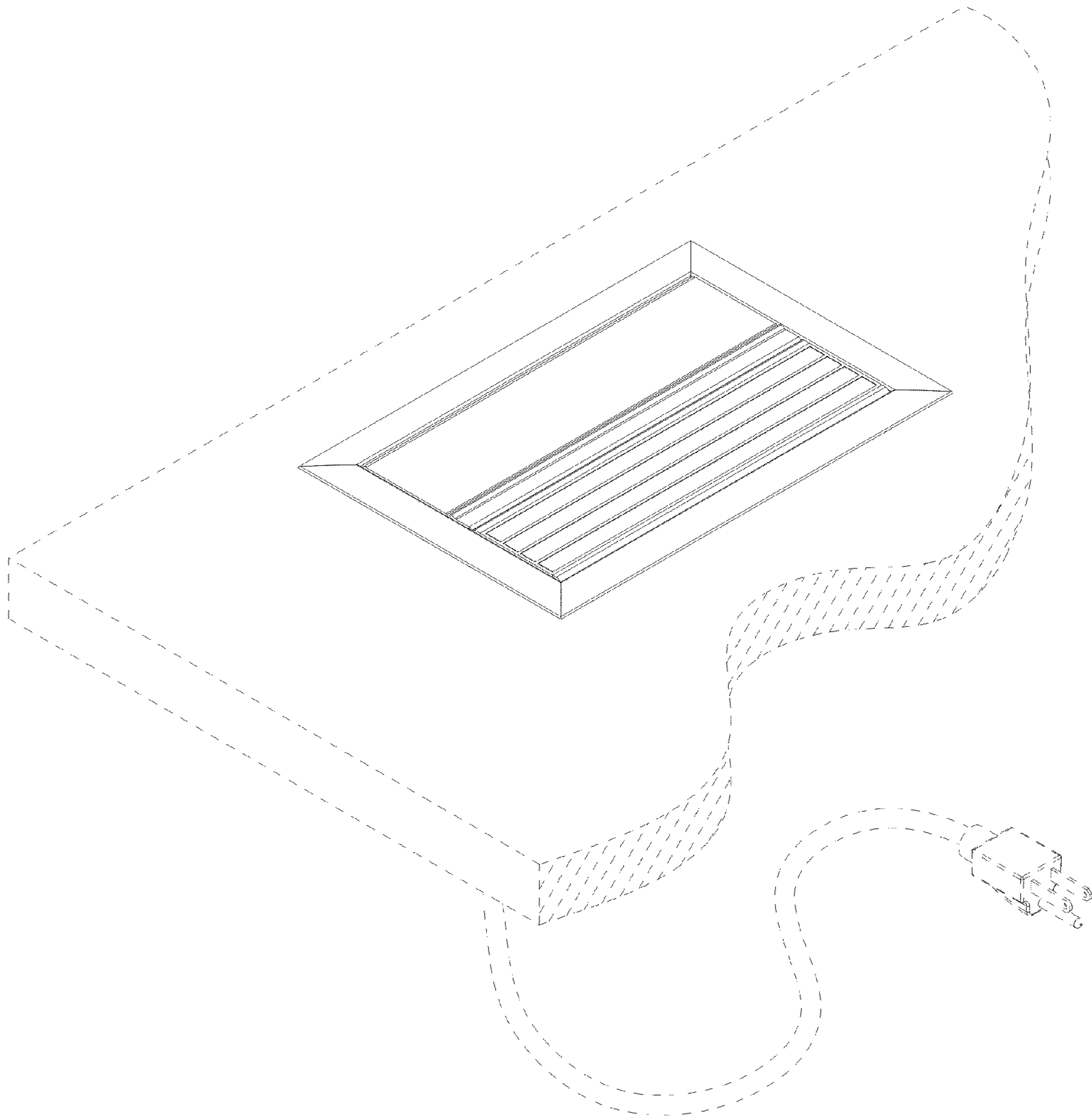


Fig. 1

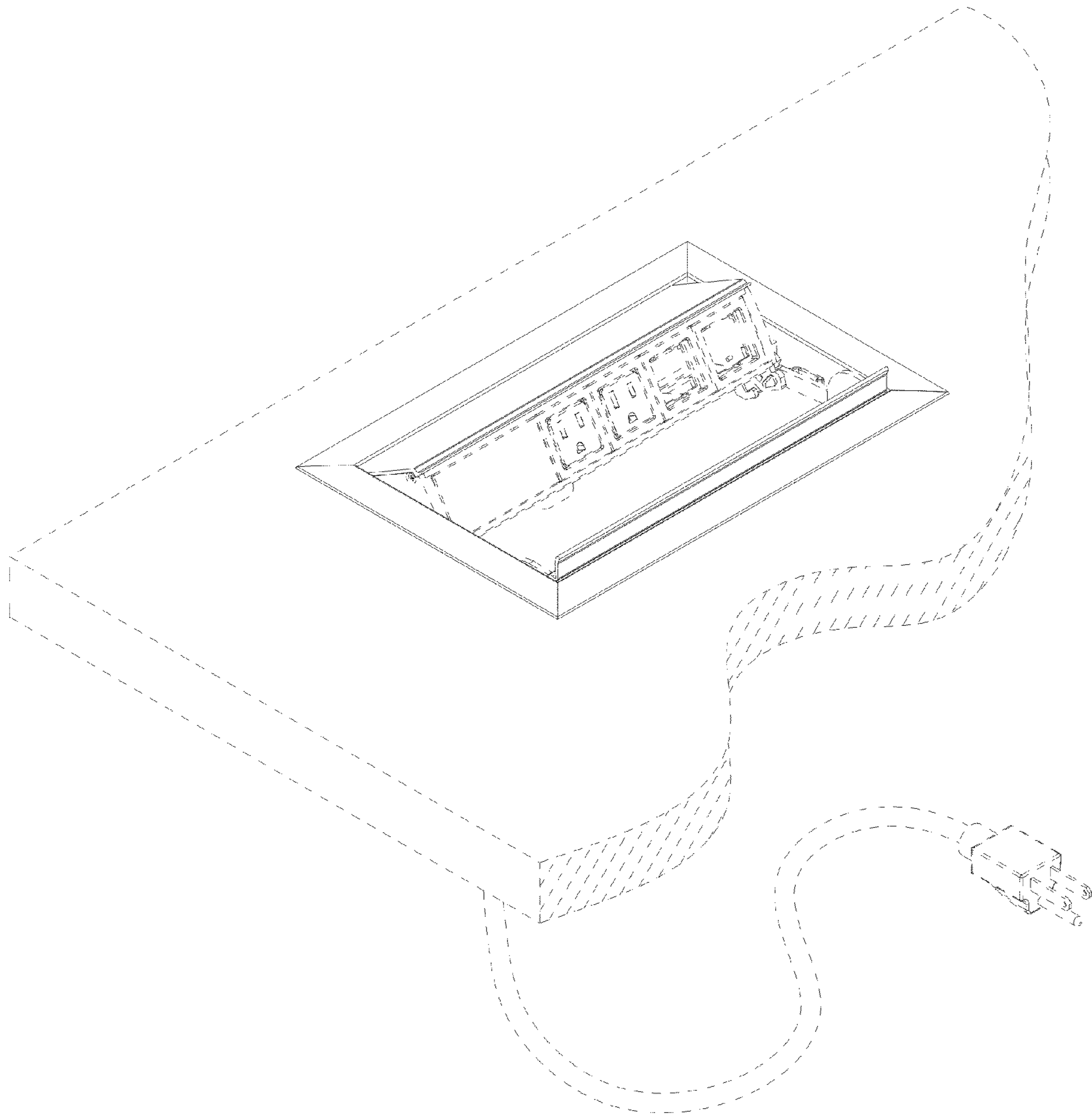


Fig. 2

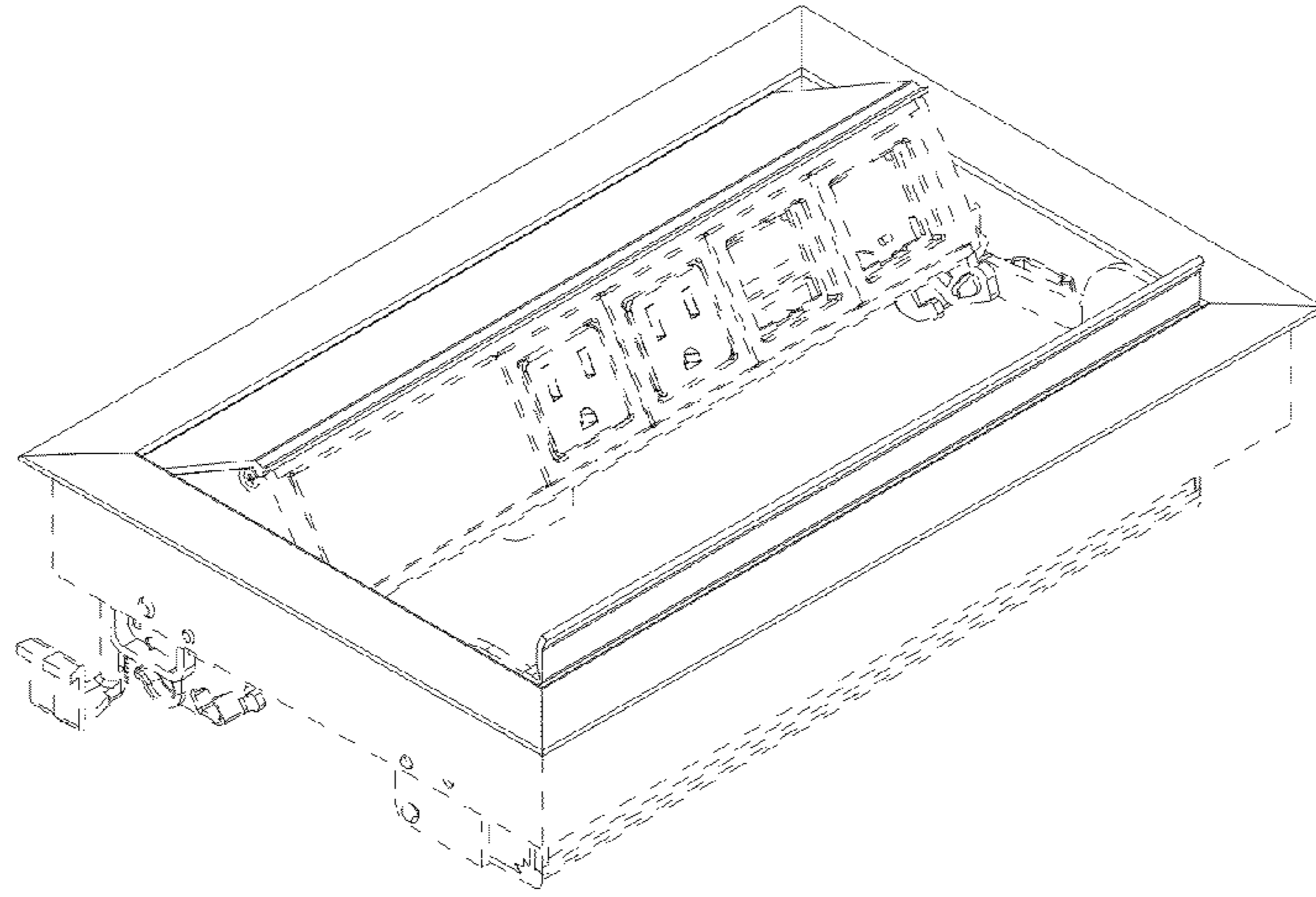


Fig. 3

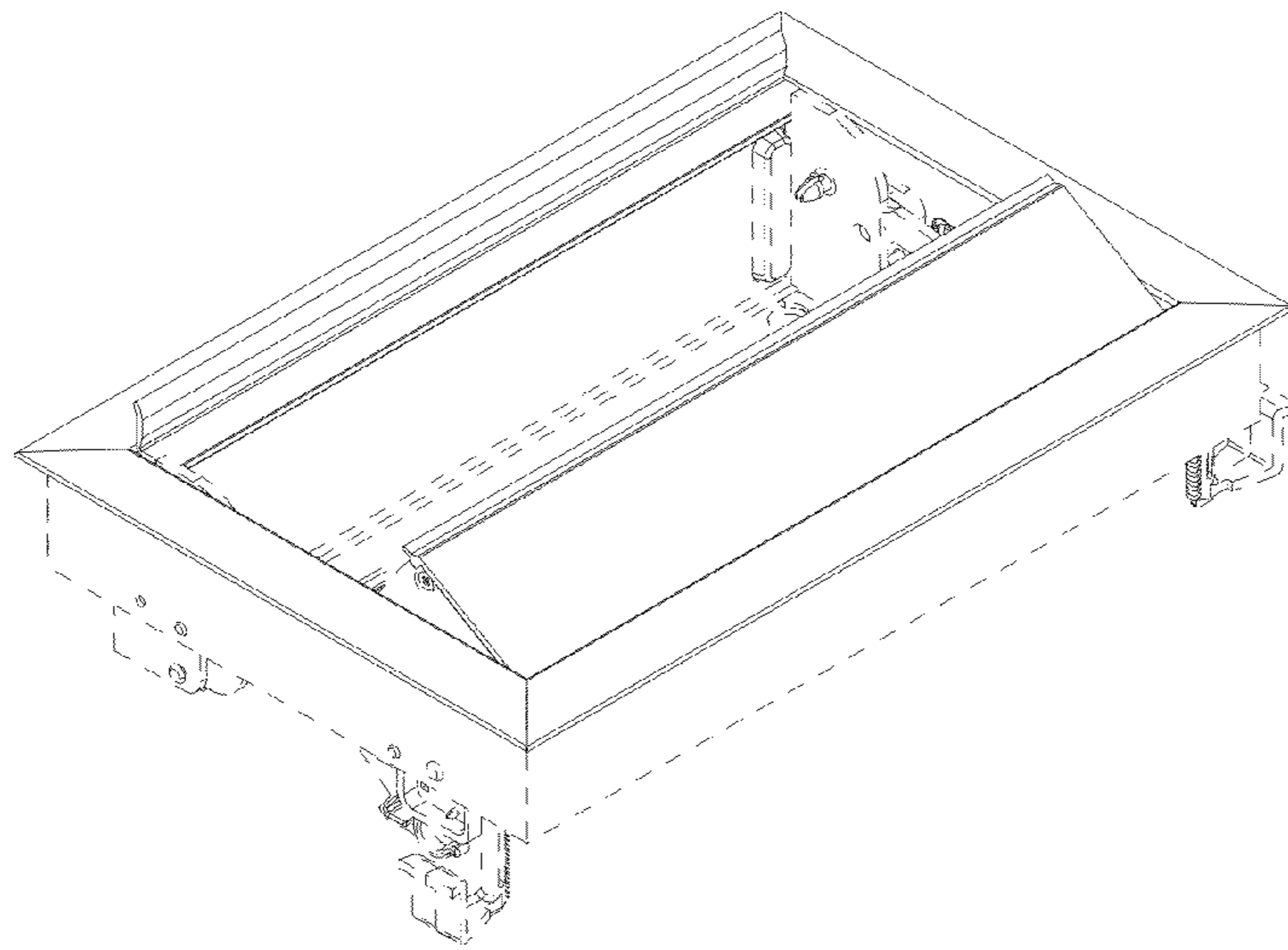


Fig. 4

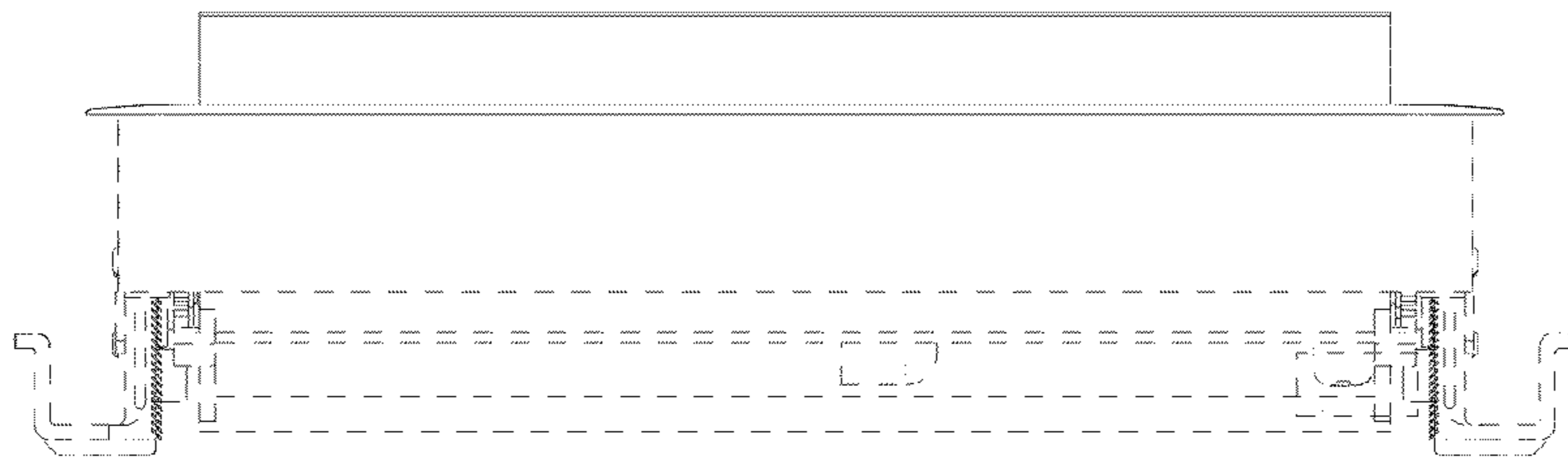


Fig. 5

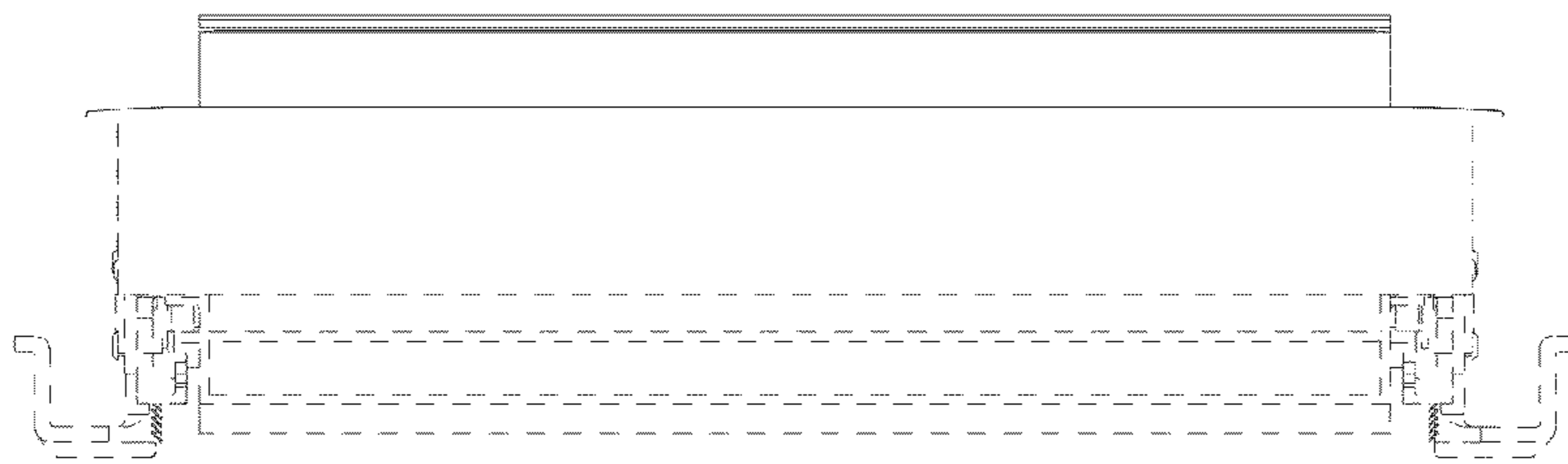


Fig. 6

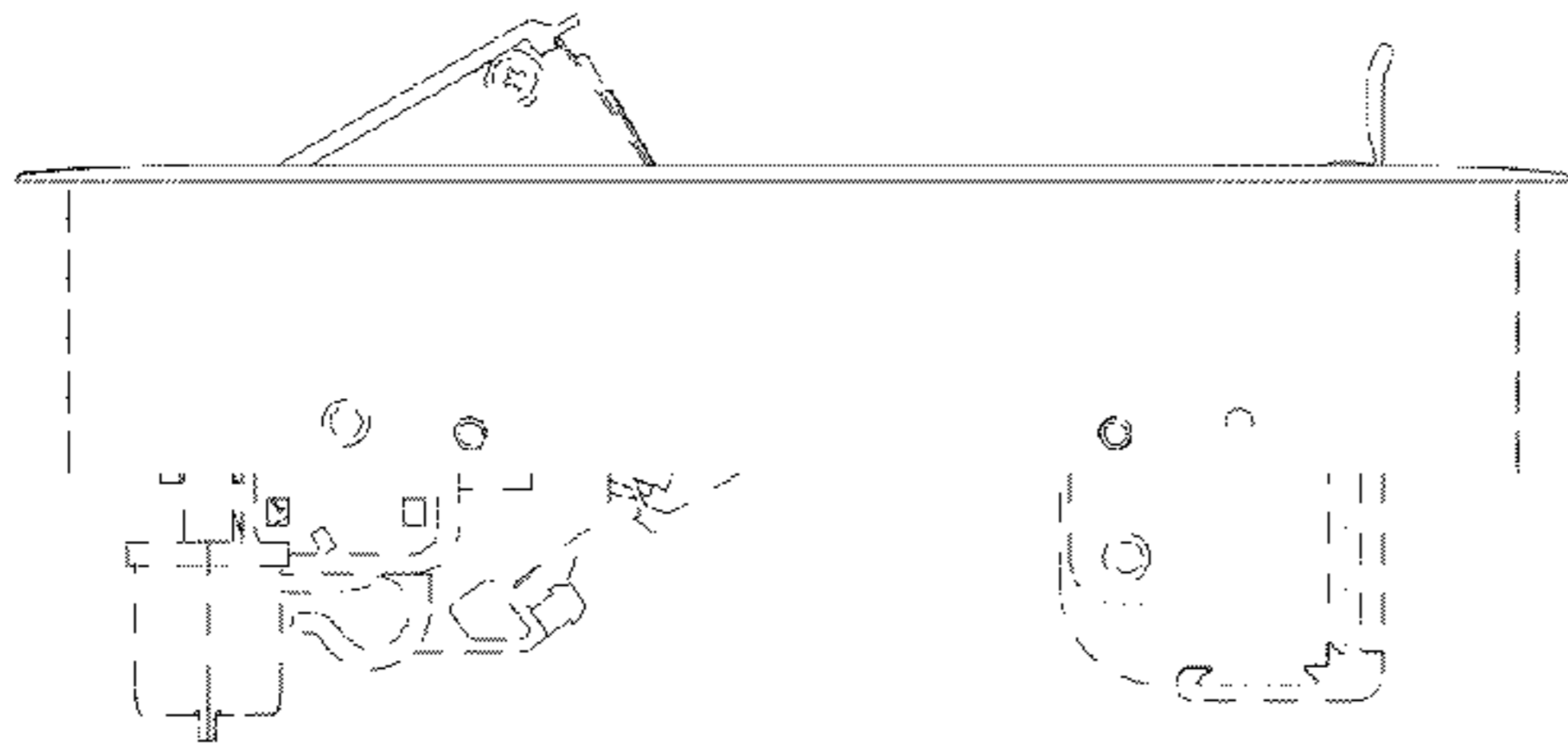


Fig. 7

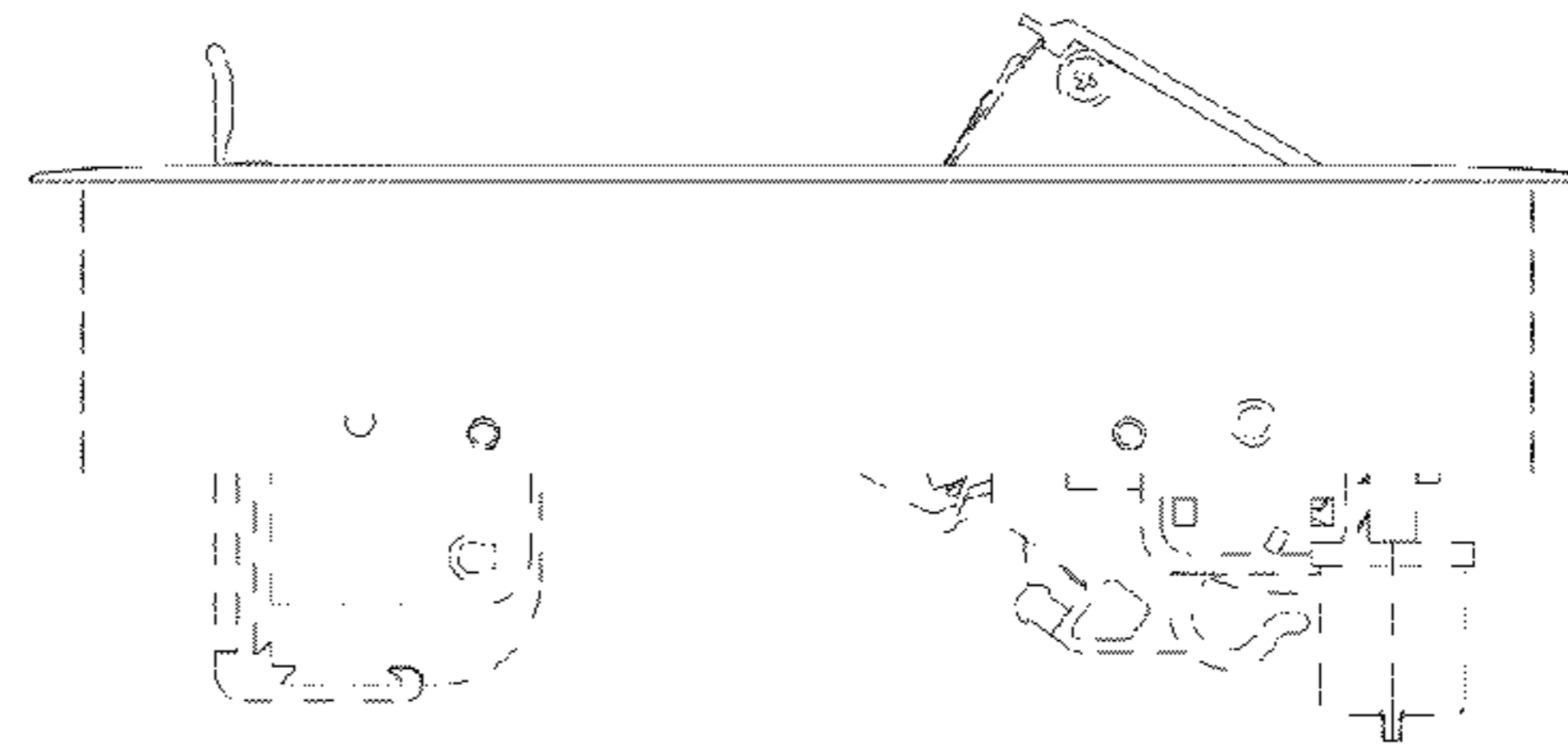


Fig. 8

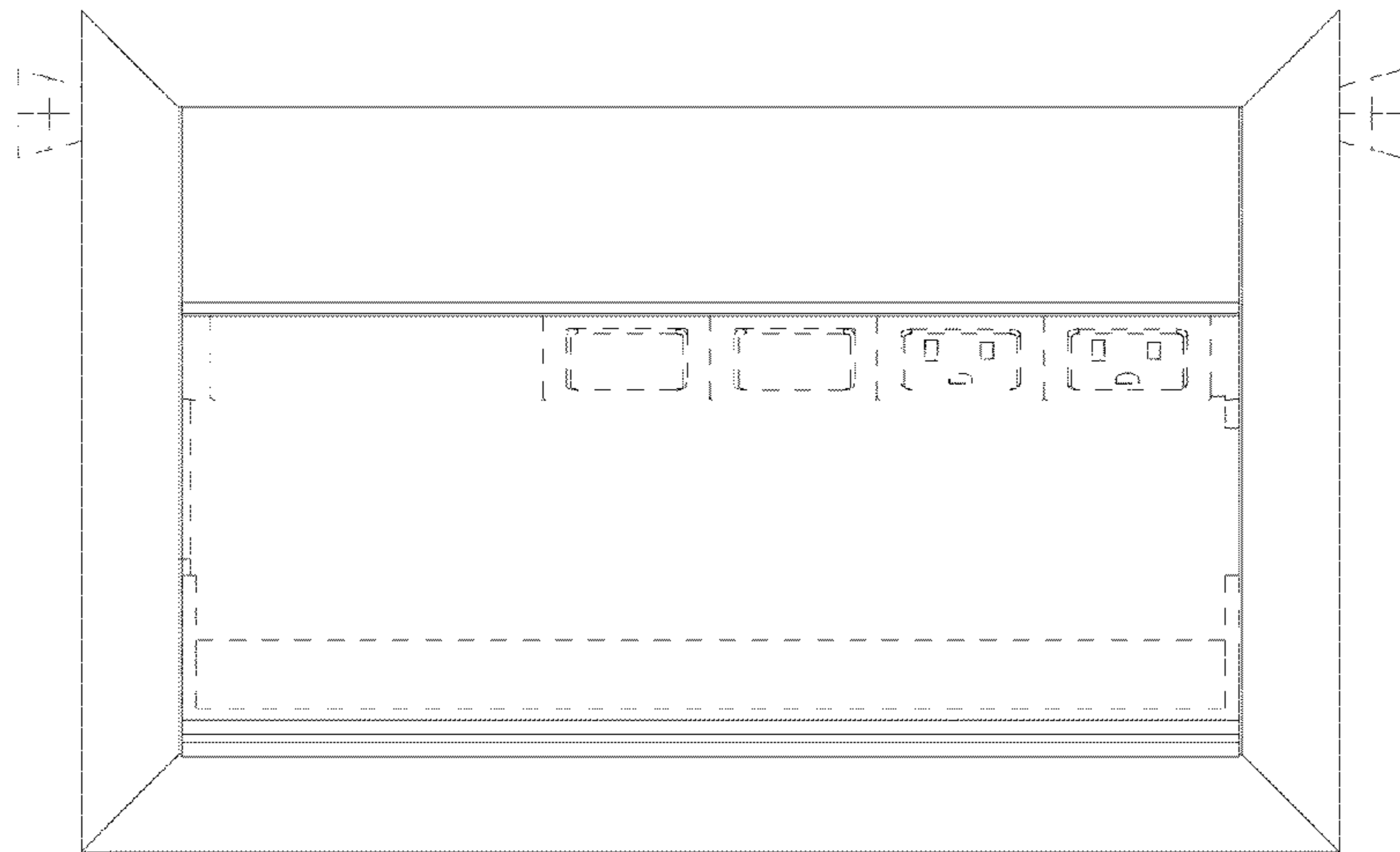


Fig. 9

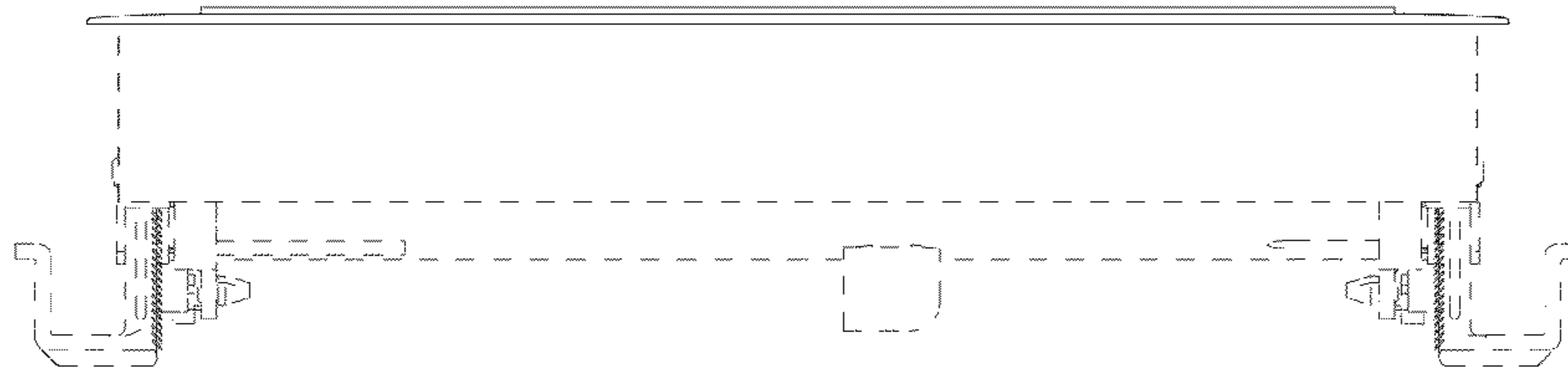


Fig. 10

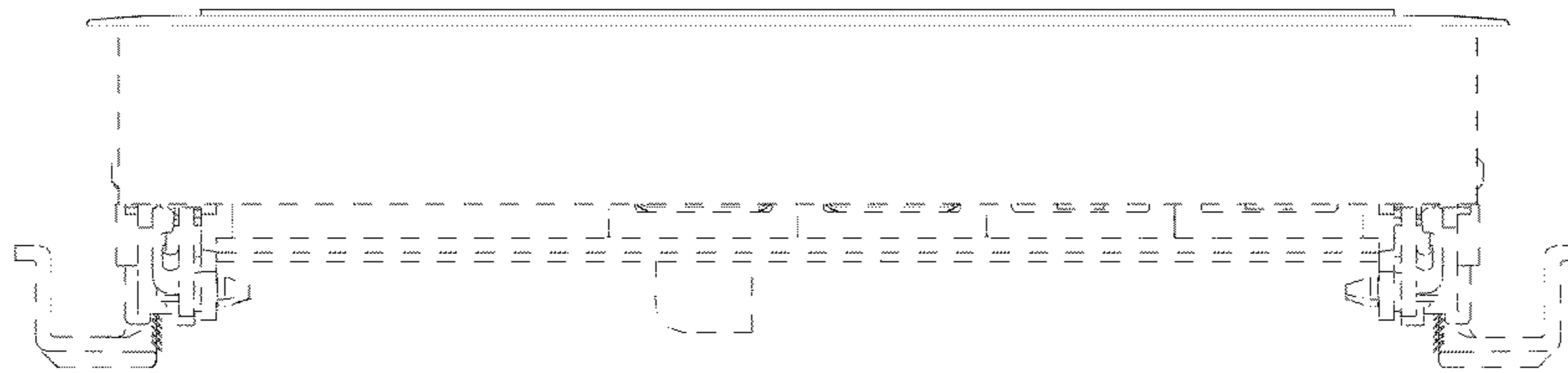


Fig. 11

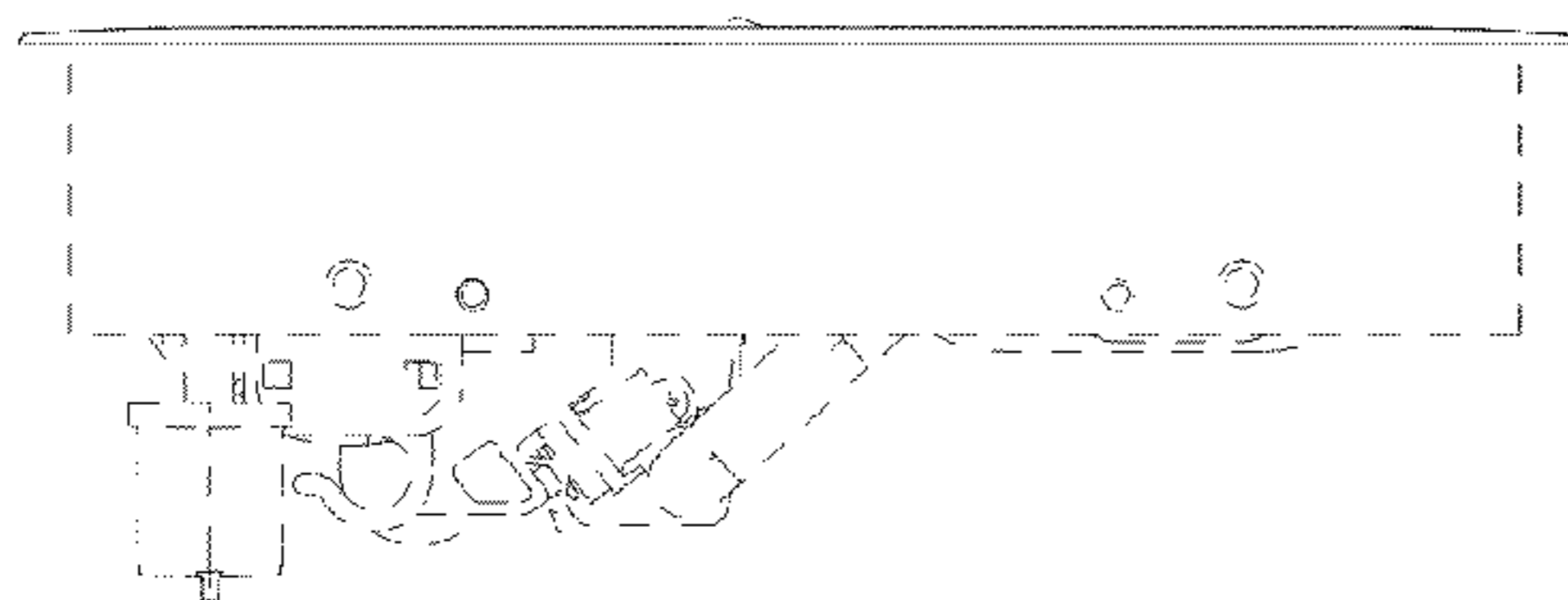


Fig. 12

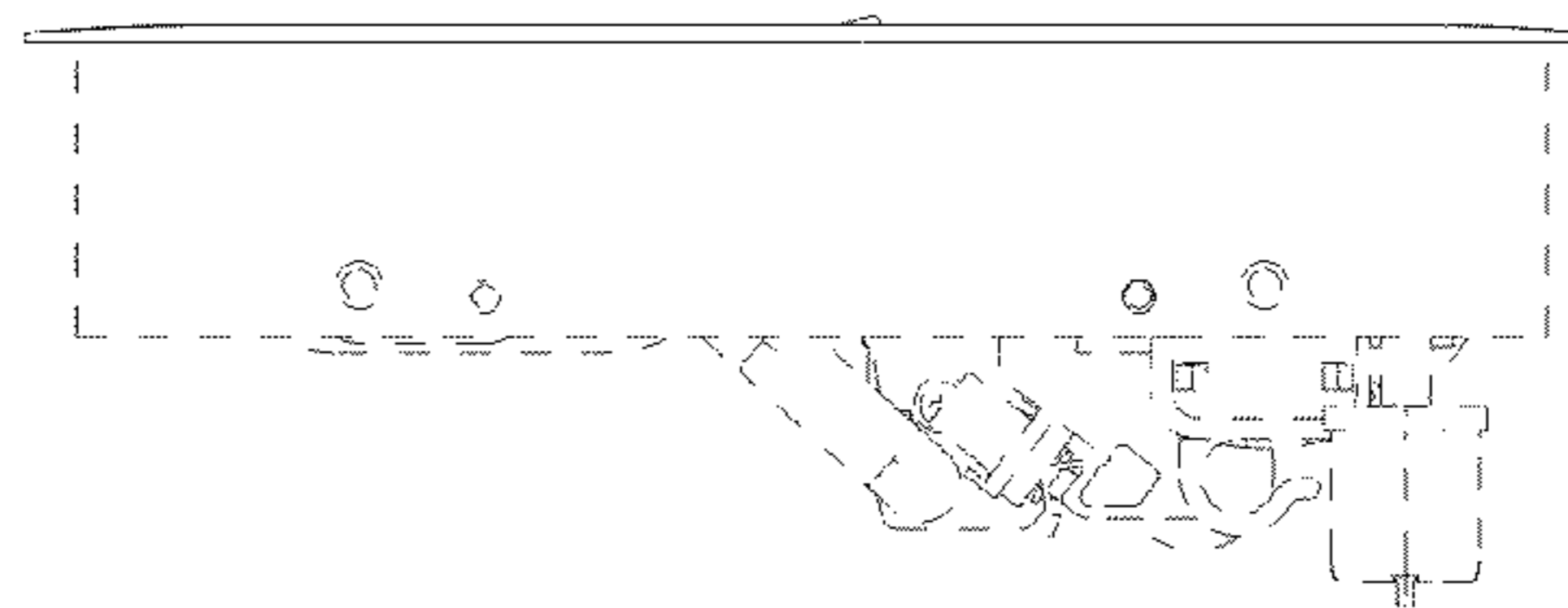


Fig. 13

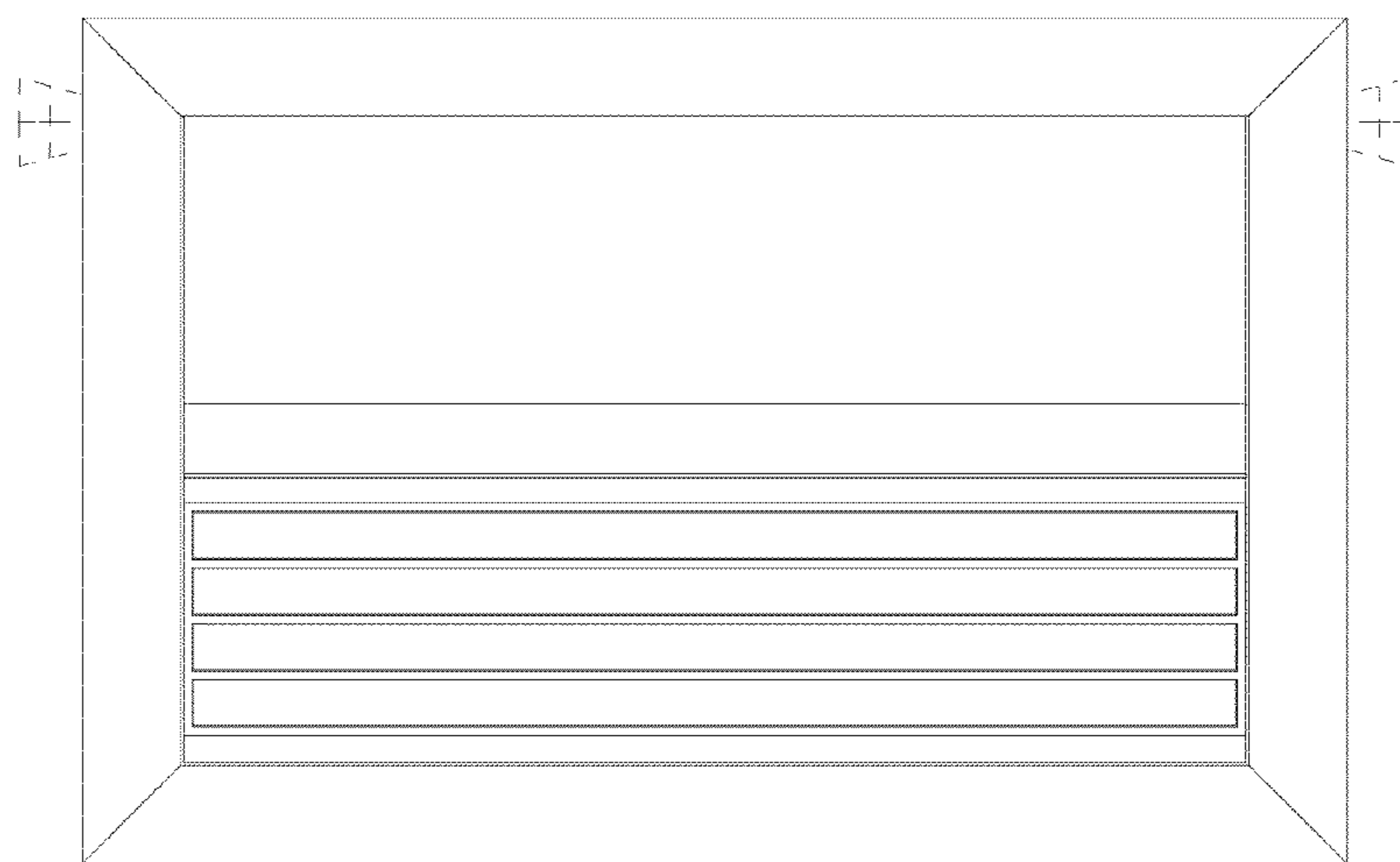


Fig. 14

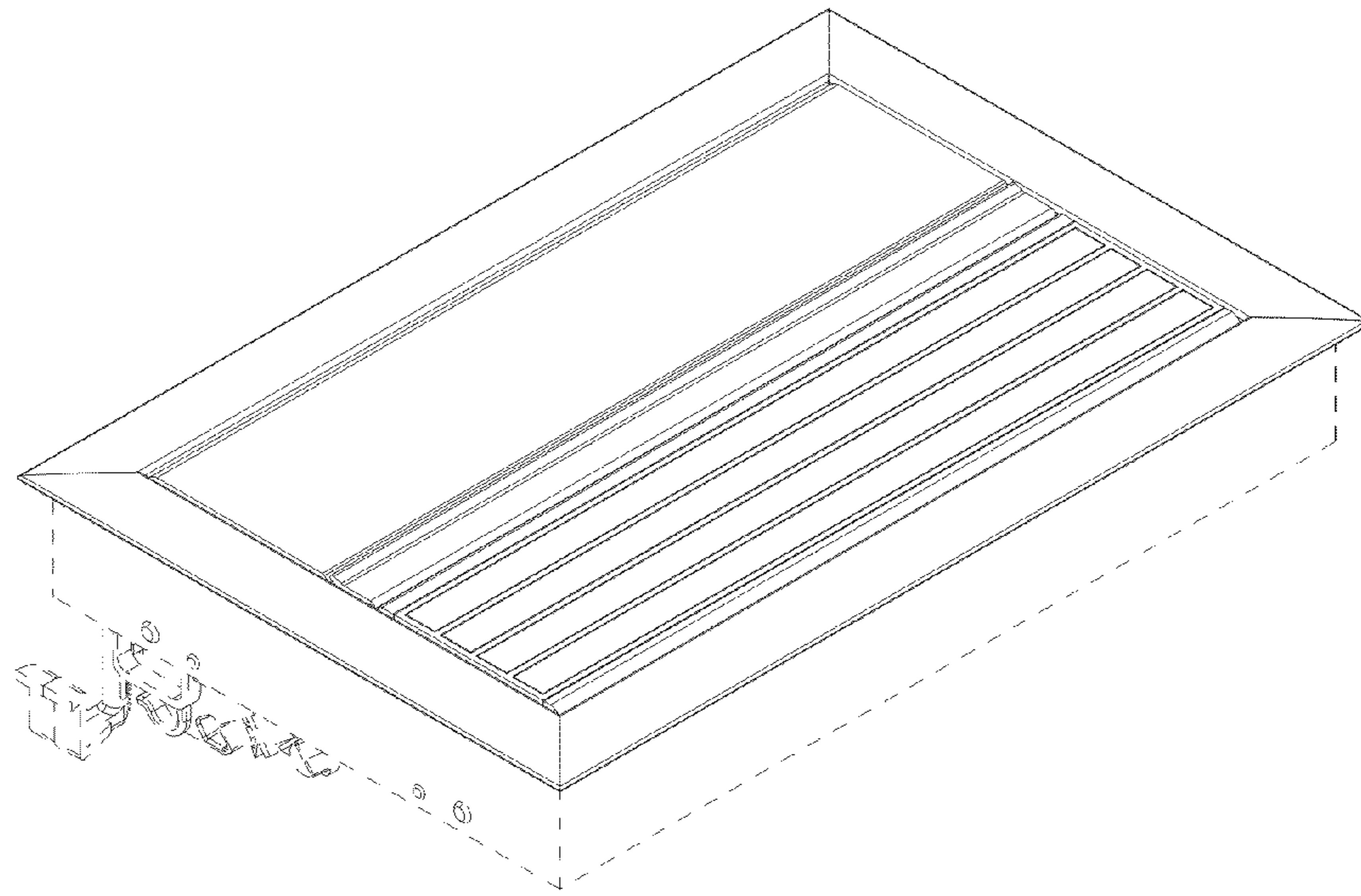


Fig. 15

UNITED STATES PATENT AND TRADEMARK OFFICE
CERTIFICATE OF CORRECTION

PATENT NO. : D715,740 S
APPLICATION NO. : 29/480302
DATED : October 21, 2014
INVENTOR(S) : Byrne et al.

Page 1 of 10

It is certified that error appears in the above-identified patent and that said Letters Patent is hereby corrected as shown below:

The Title page, showing the illustrative figures, should be deleted and substitute therefor the attached Title page.

Delete figs. 1-15 and substitute therefor the drawing sheet, consisting of figs. 1-15 as shown on the attached page.

Signed and Sealed this
Twenty-second Day of December, 2015



Michelle K. Lee
Director of the United States Patent and Trademark Office

(12) **United States Design Patent**
Byrne et al.

(10) **Patent No.:** US D715,740 S
(45) **Date of Patent:** ** Oct. 21, 2014

(54) **POWER TAP WITH LOW VOLTAGE CORDLESS CAPABILITY**

(71) Applicants: Norman R. Byrne, Ada, MI (US);
Daniel P. Byrne, Lowell, MI (US);
Timothy J. Warwick, Sparta, MI (US)

(72) Inventors: Norman R. Byrne, Ada, MI (US);
Daniel P. Byrne, Lowell, MI (US);
Timothy J. Warwick, Sparta, MI (US)

(**) Term: 14 Years

(21) Appl. No.: 29/480,302

(22) Filed: Jan. 24, 2014
Related U.S. Application Data

(60) Division of application No. 29/439,798, filed on Dec.
(Continued)

(51) **LOC (10) Cl.** 13-03

(52) **U.S. Cl.**
USPC D13/139.4

(58) **Field of Classification Search**
USPC D13/107, 109, 110, 112, 114, 130, 132,
D13/137, 137.1, 137.2, 137.3, 137.4, 138.1,
D13/139.1, 139.2, 139.4, 139.5, 139.7,
D13/139.8, 146, 147, 152, 160, 161, 164,
D13/199; 361/641

See application file for complete search history.

(56) **References Cited**

U.S. PATENT DOCUMENTS

4,984,982 A 1:1991 Brownlie et al.
D454,541 S * 3:2002 Gershfeld D13/139.4
(Continued)

FOREIGN PATENT DOCUMENTS

WO WO2011156814 A1 6/2011

OTHER PUBLICATIONS

International Search Report and Written Opinion of the International
Searching Authority for International Application PCT/US2011/
040207, dated Oct. 3, 2011.

(Continued)

Primary Examiner — Ian Simmons

Assistant Examiner — Rhea Shields

(74) *Attorney, Agent, or Firm* — Gardner, Linn, Burkhardt &
Flory, LLP

(57) **CLAIM**

The ornamental design for a power tap with low voltage cordless capability, as shown and described.

DESCRIPTION

FIG. 1 is a front perspective view of a power tap with low voltage cordless capability showing our new design mounted in an operating environment and with its doors shown in a closed position;

FIG. 2 is another front perspective view of the power tap with low voltage cordless capability of FIG. 1, shown in the operating environment and with its doors shown in an open position;

FIG. 3 is a front perspective view of the power tap with low voltage cordless capability of FIG. 2;

FIG. 4 is a rear perspective view of the power tap with low voltage cordless capability of FIG. 2;

FIG. 5 is a front elevation of the power tap with low voltage cordless capability of FIG. 2;

FIG. 6 is a rear elevation of the power tap with low voltage cordless capability of FIG. 2;

FIG. 7 is a right side elevation of the power tap with low voltage cordless capability of FIG. 2;

FIG. 8 is a left side elevation of the power tap with low voltage cordless capability of FIG. 2;

FIG. 9 is a top plan view of the power tap with low voltage cordless capability of FIG. 2;

FIG. 10 is a front elevation of the power tap with low voltage cordless capability of FIG. 1;

FIG. 11 is a rear elevation of the power tap with low voltage cordless capability of FIG. 1;

FIG. 12 is a right side elevation of the power tap with low voltage cordless capability of FIG. 1;

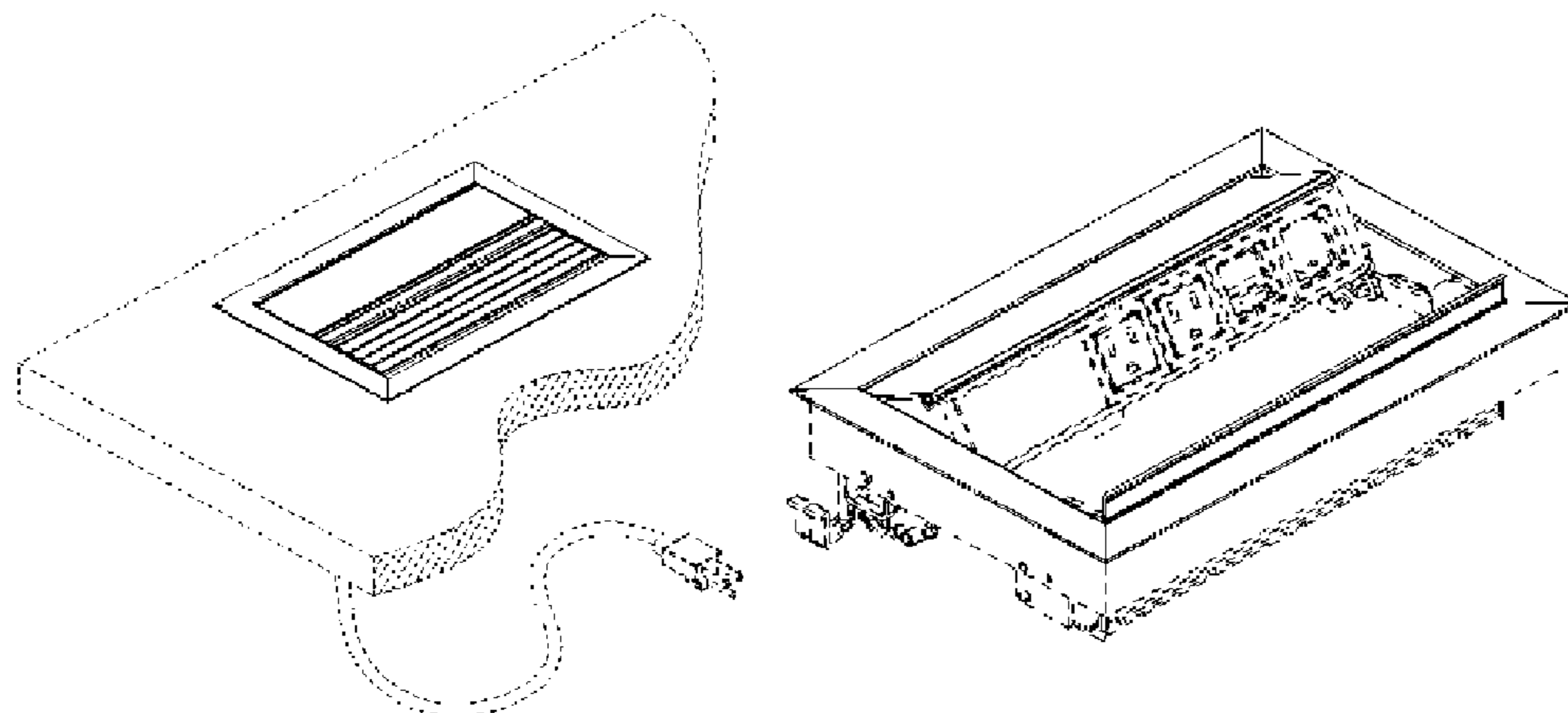
FIG. 13 is a left side elevation of the power tap with low voltage cordless capability of FIG. 1;

FIG. 14 is a top plan view of the power tap with low voltage cordless capability of FIG. 1; and,

FIG. 15 is a rear perspective view of the power tap with low voltage cordless capability of FIG. 1.

The broken lines in the figures represent unclaimed environment only and form no part of the claimed design.

1 Claim, 8 Drawing Sheets



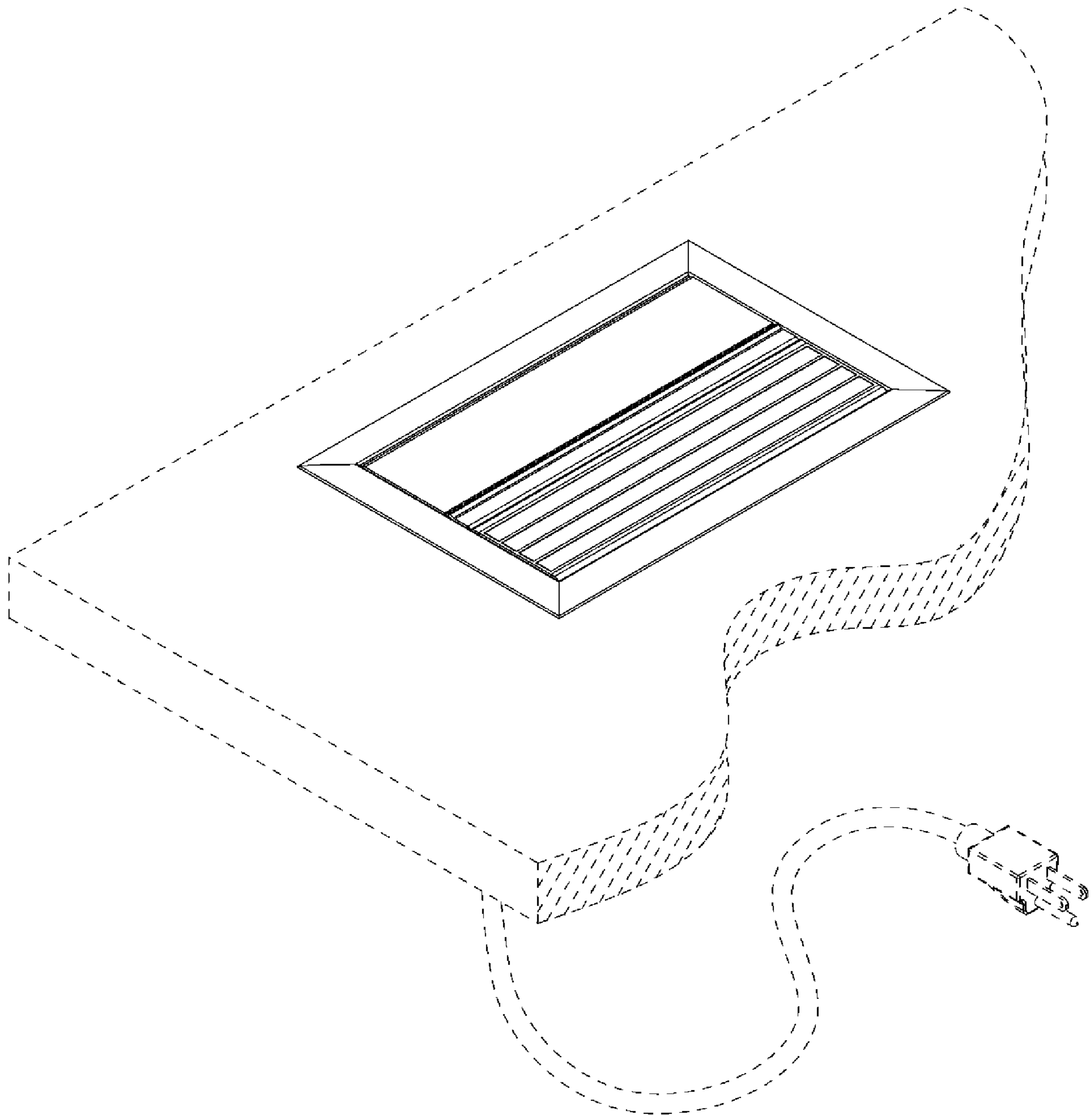


Fig. 1

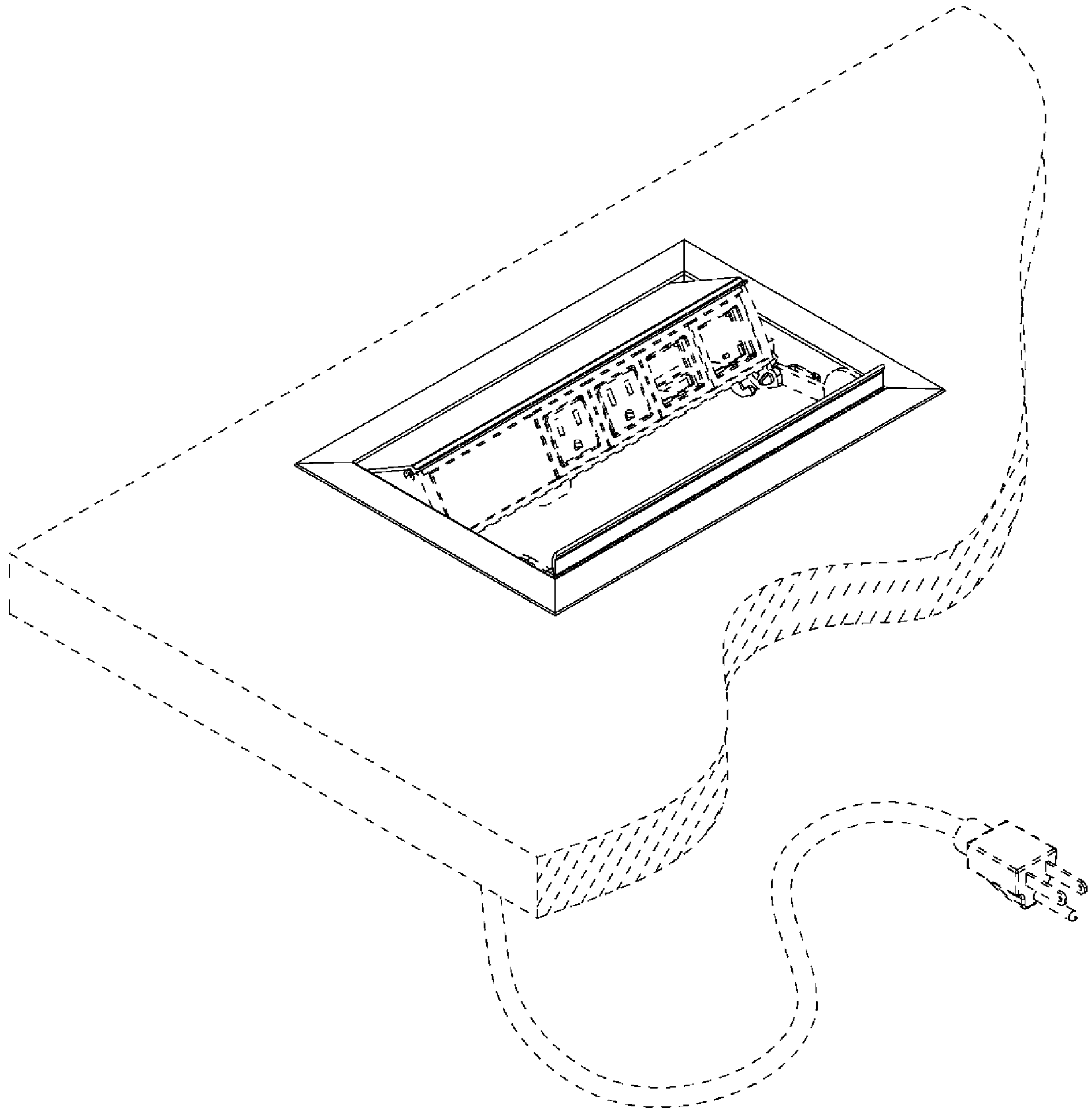


Fig. 2

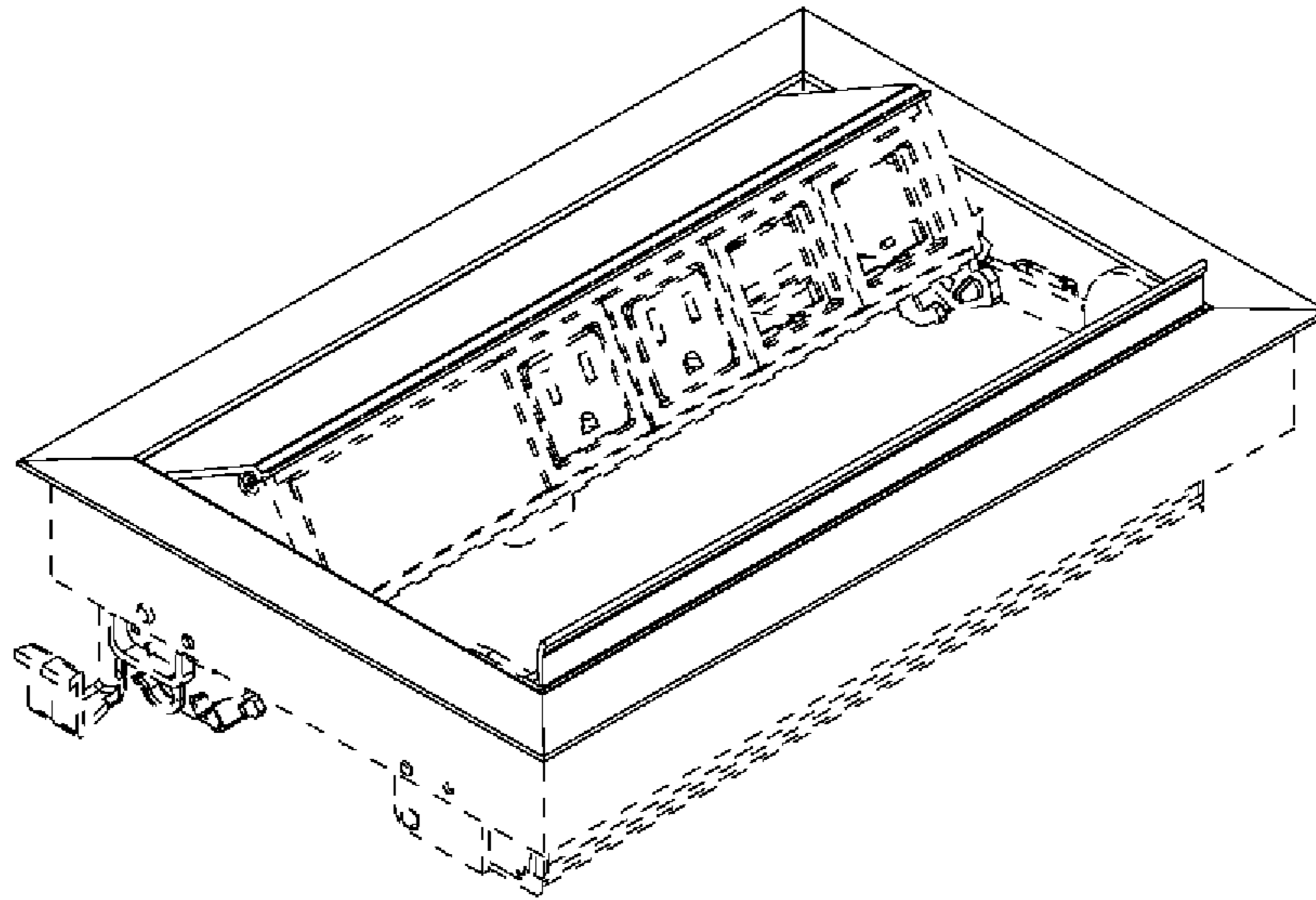


Fig. 3

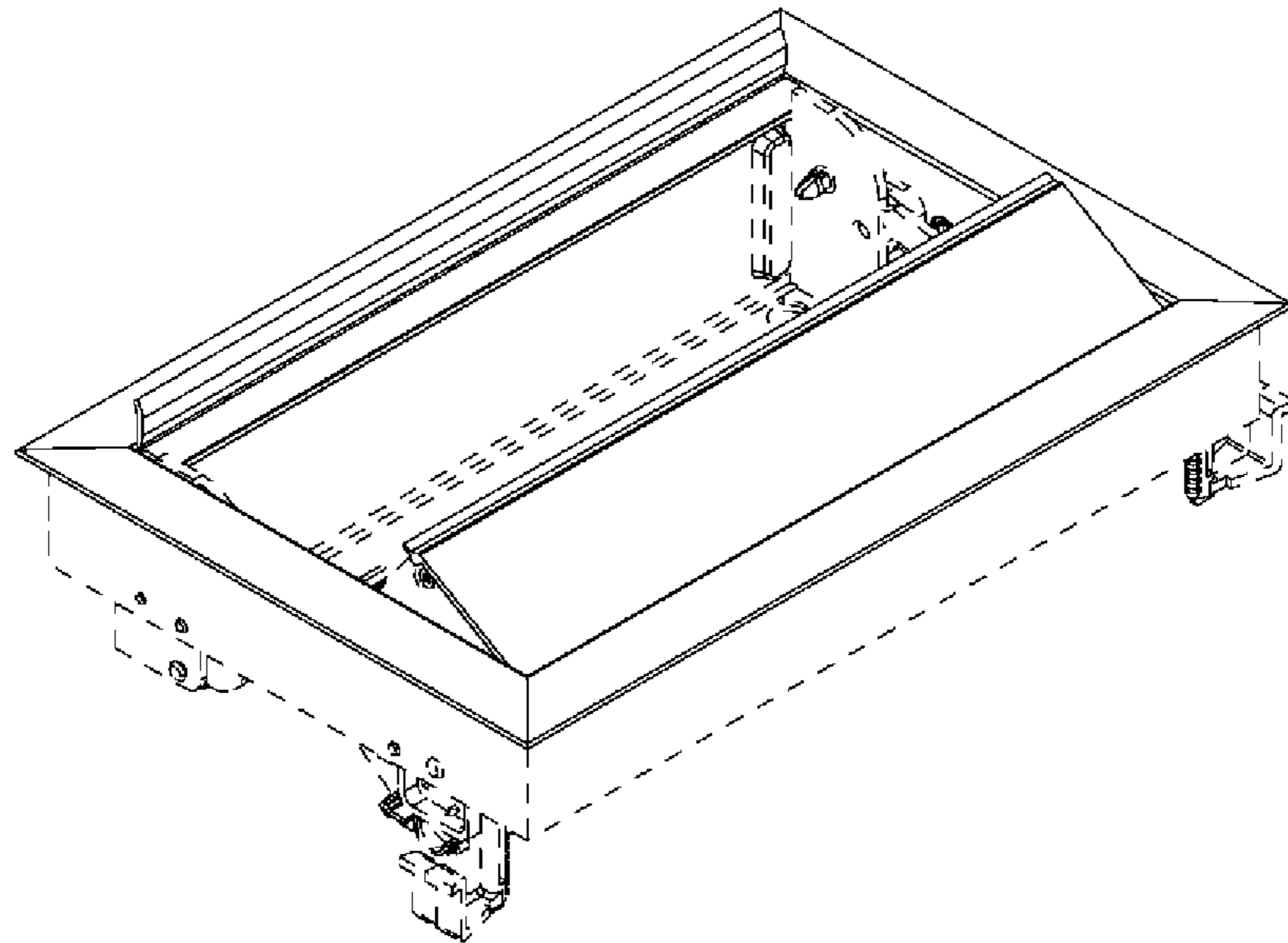


Fig. 4

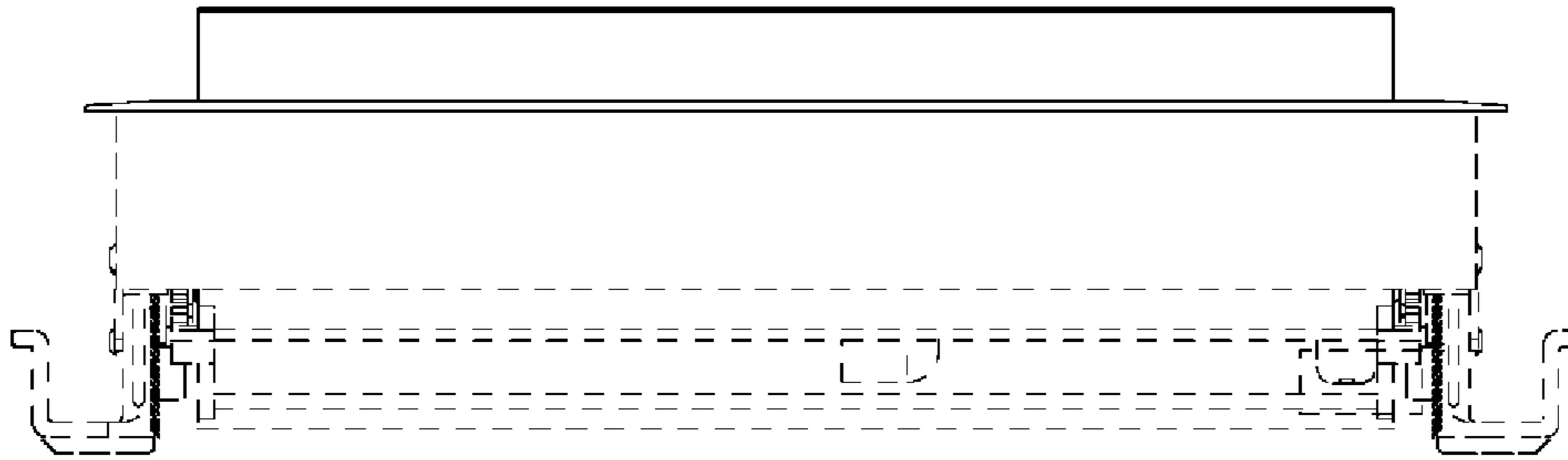


Fig. 5

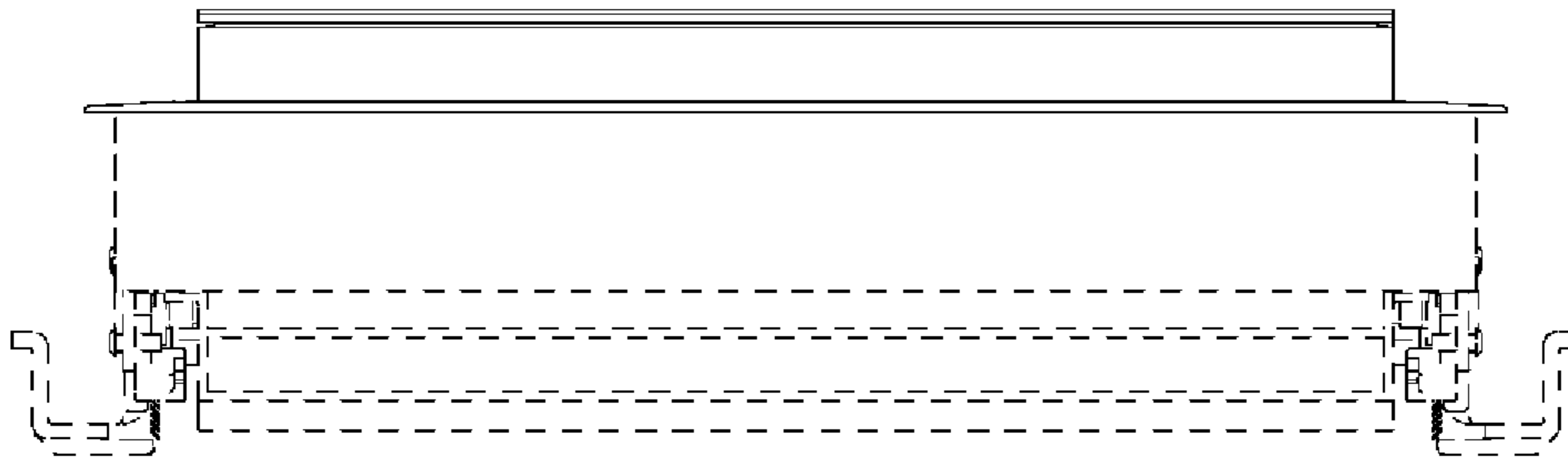


Fig. 6

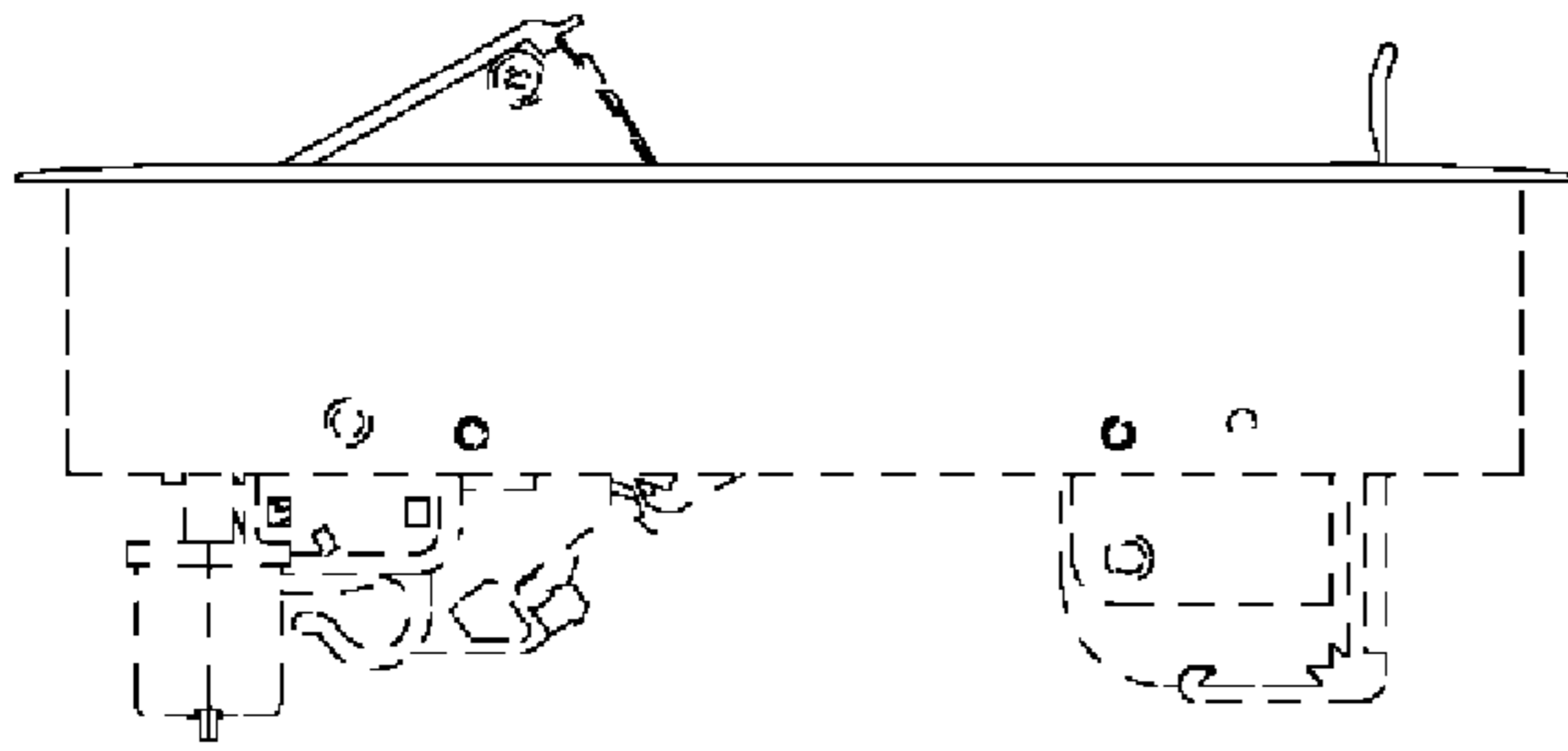


Fig. 7

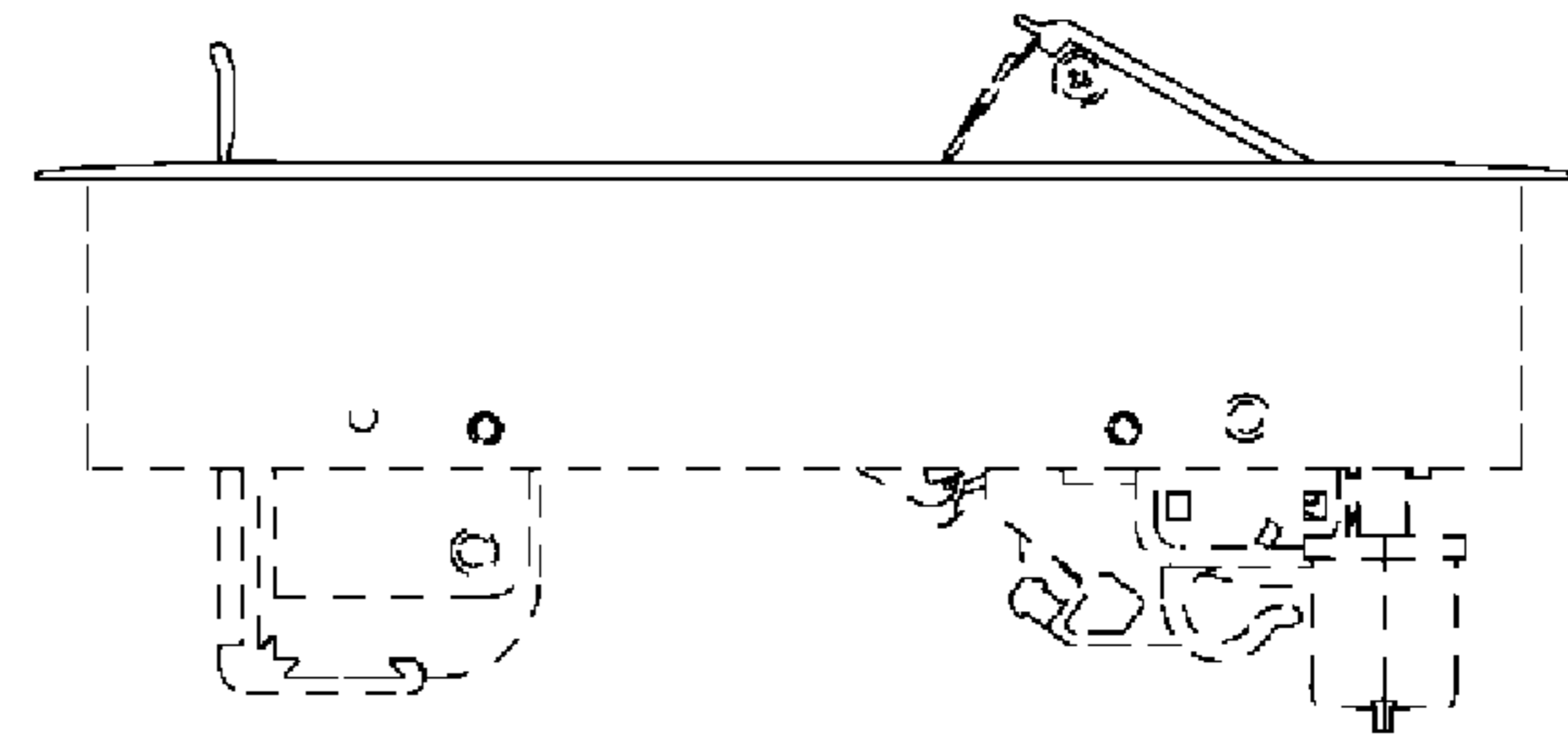


Fig. 8

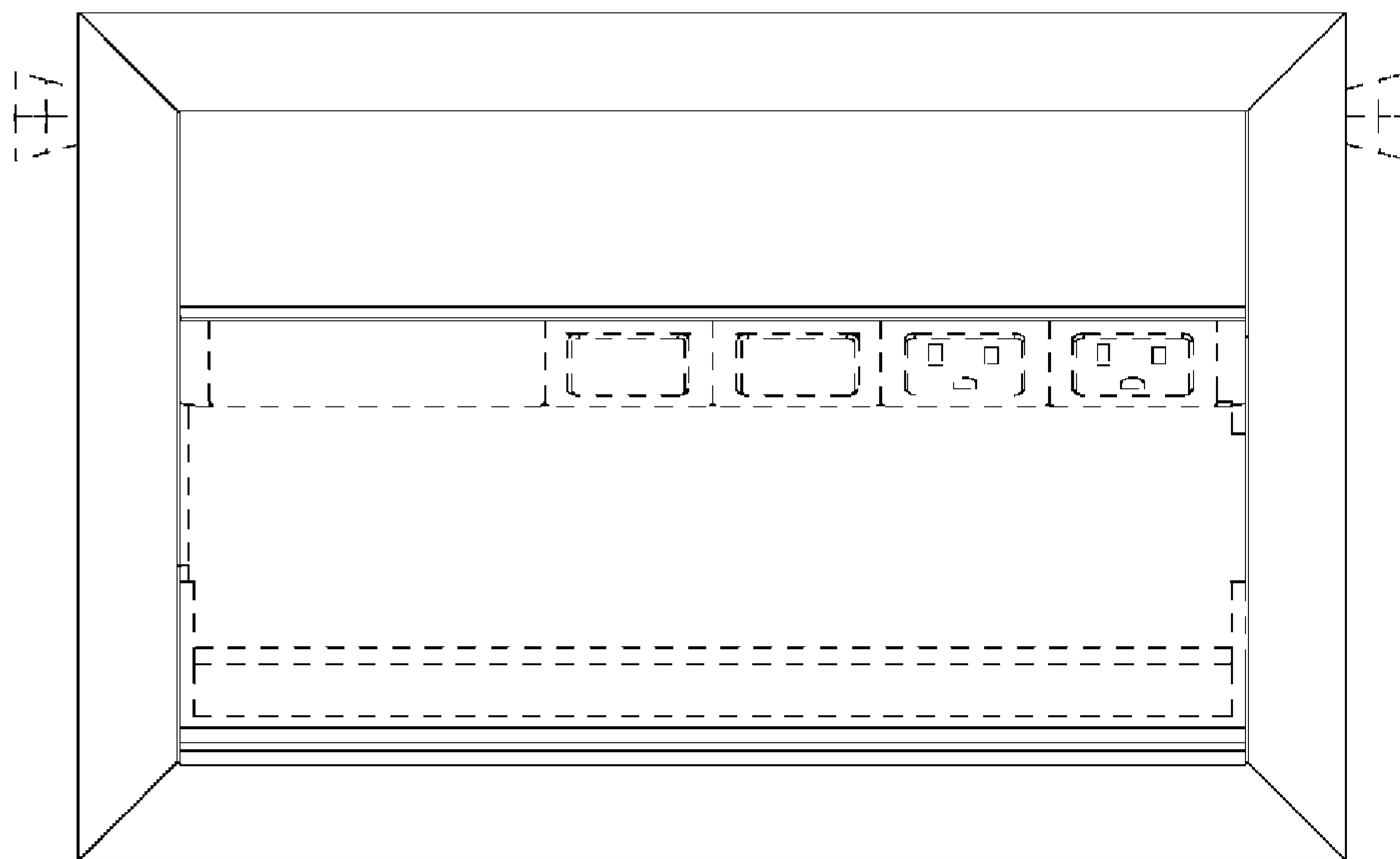


Fig. 9

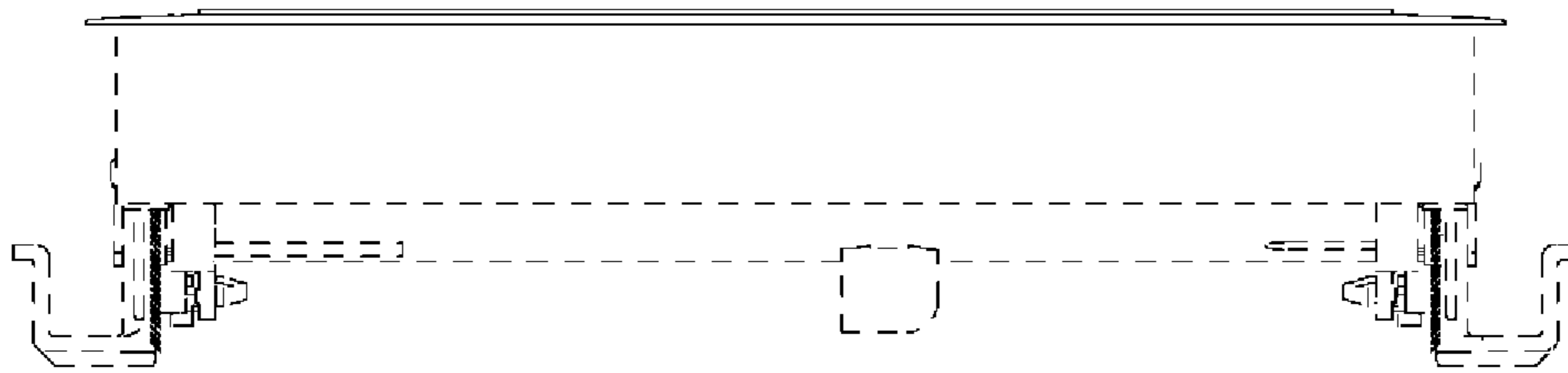


Fig. 10

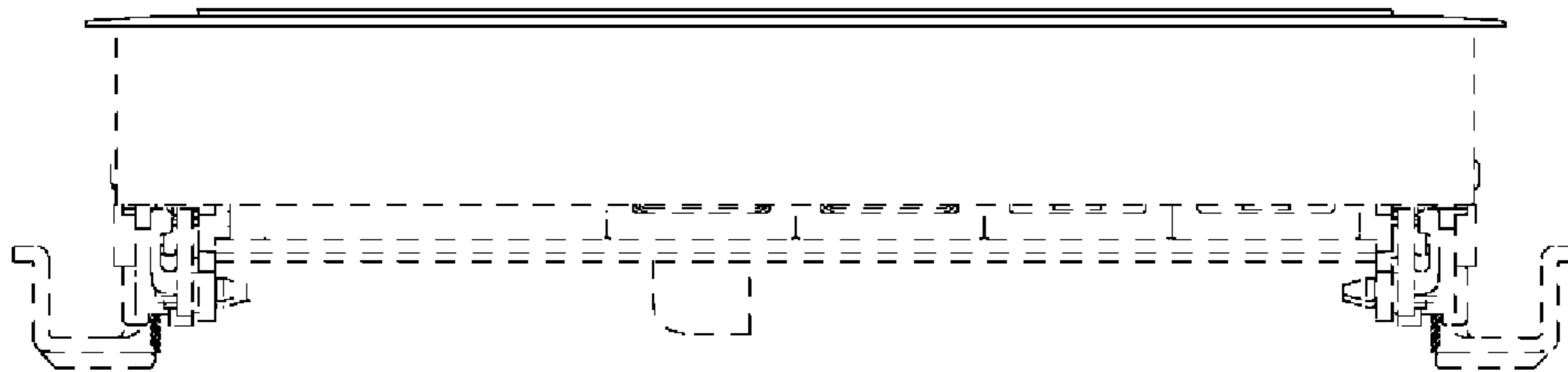


Fig. 11

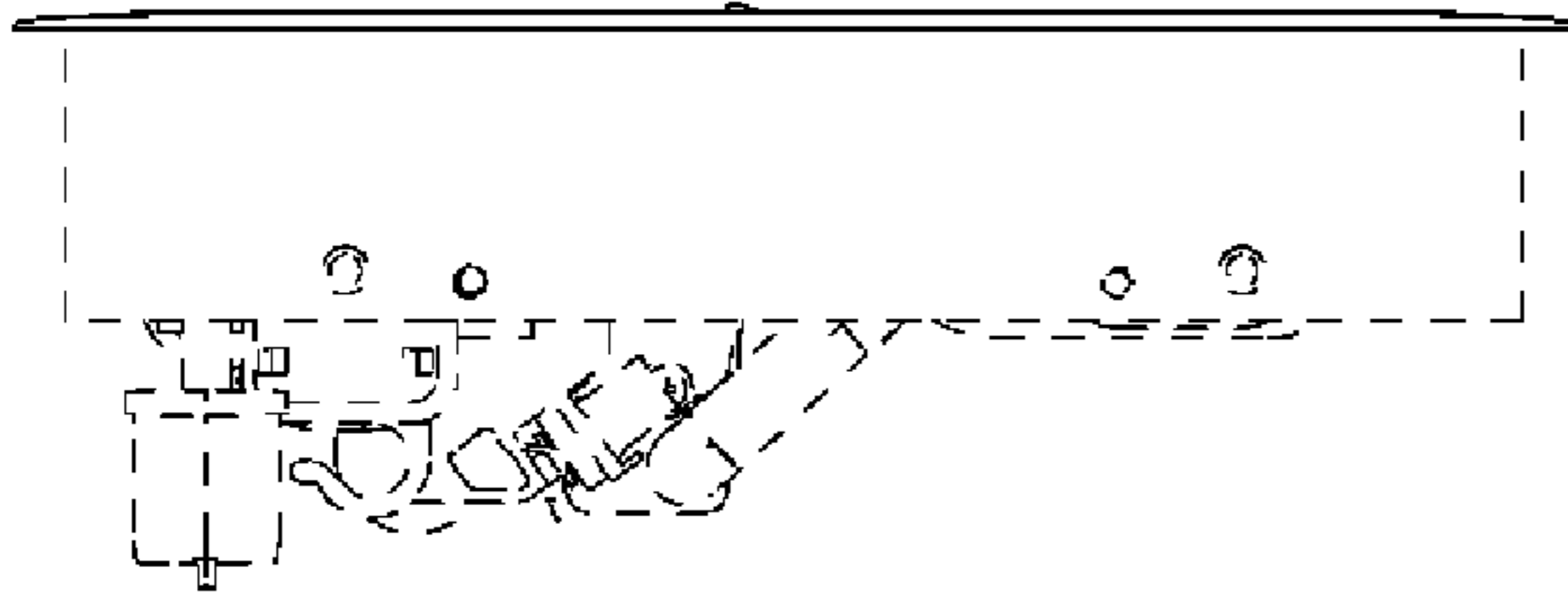


Fig. 12

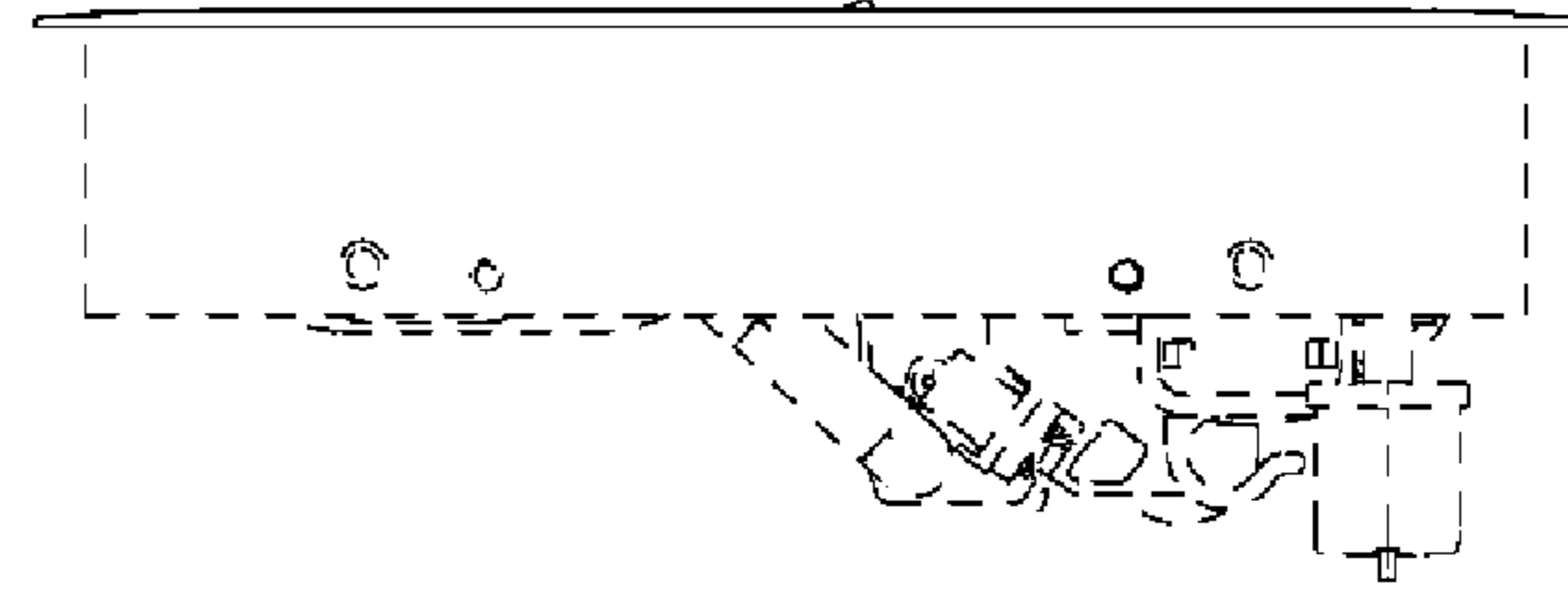


Fig. 13

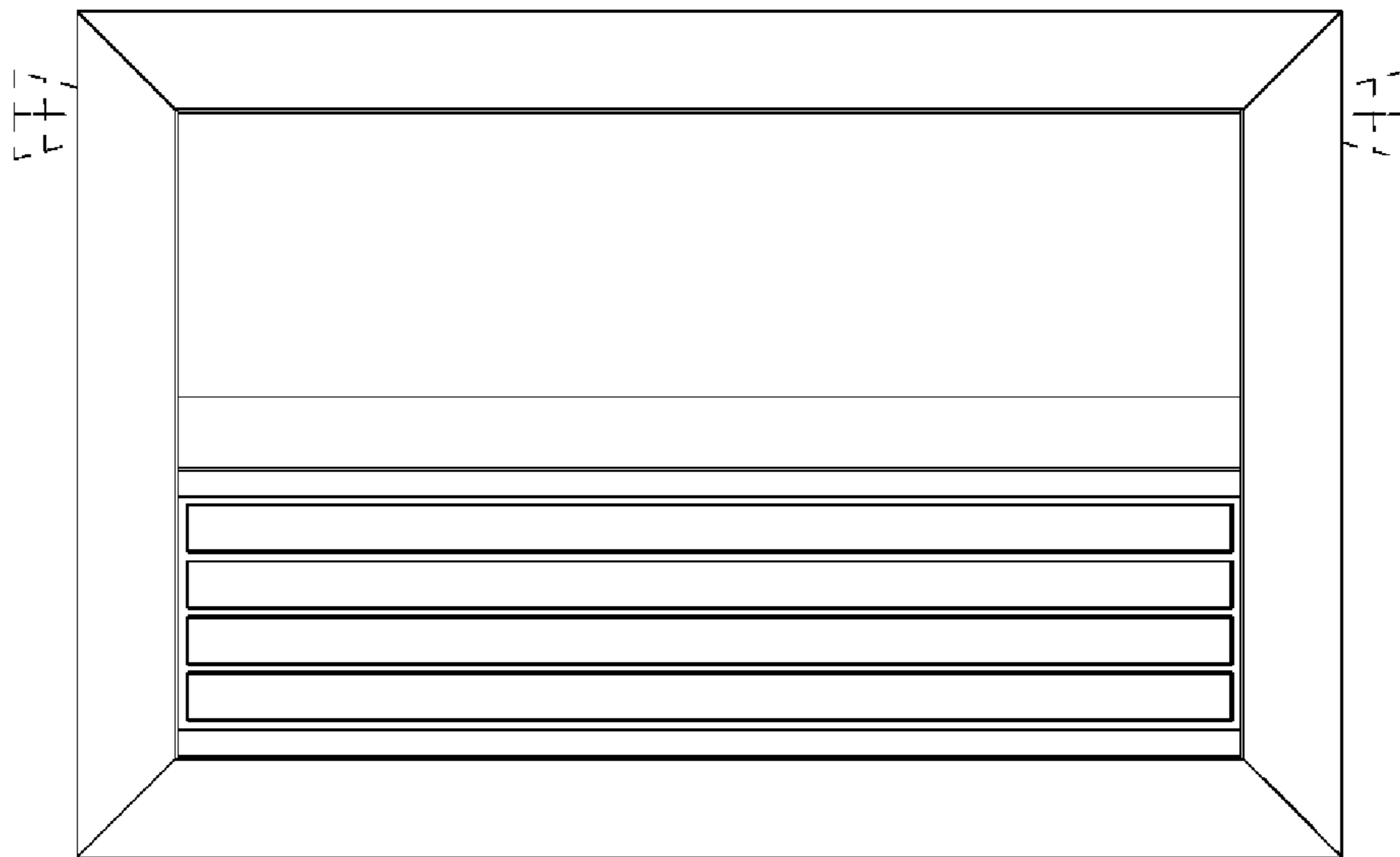


Fig. 14

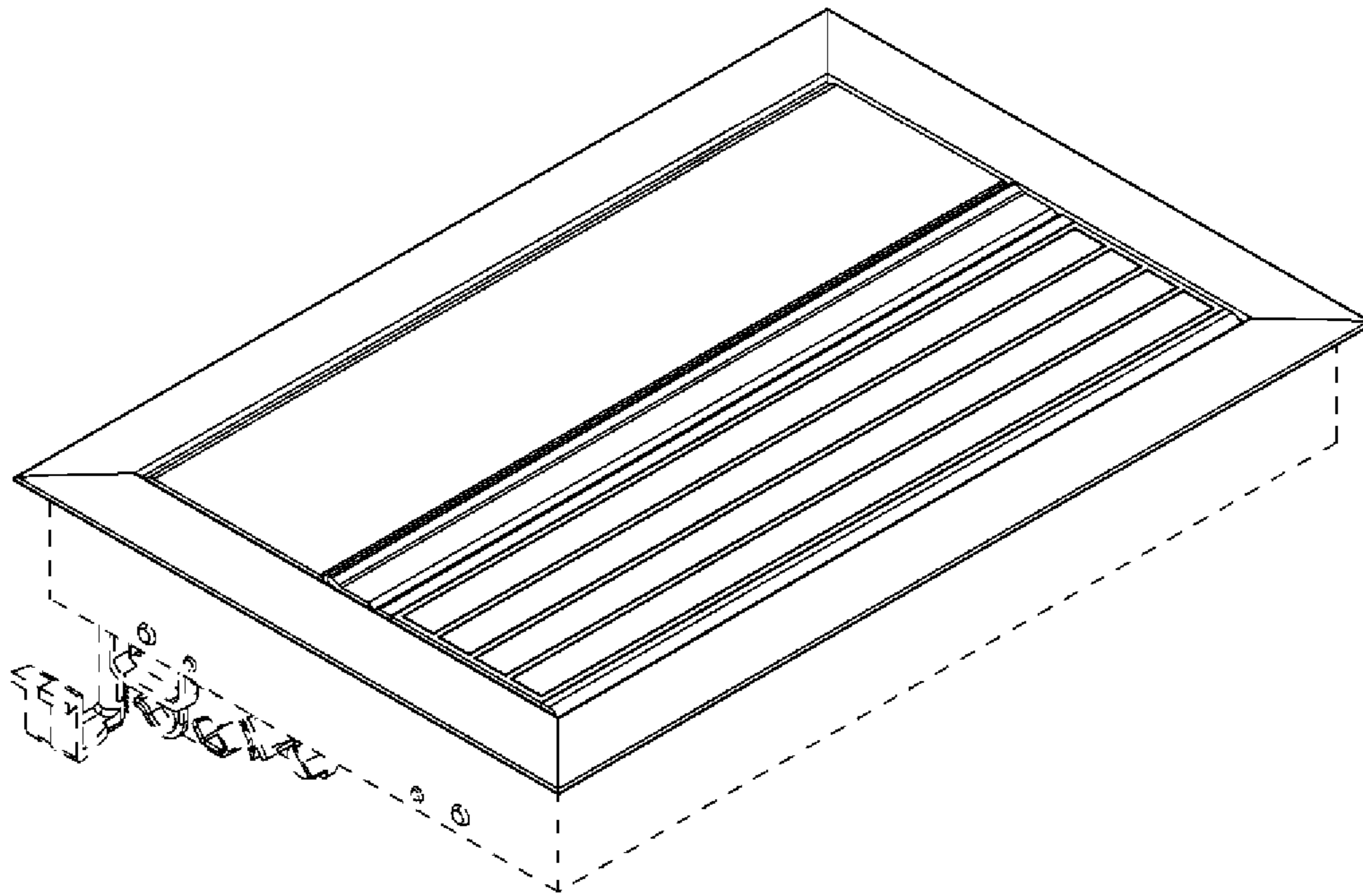


Fig. 15