



US00D715739S

(12) **United States Design Patent**  
**Chen**

(10) **Patent No.:** **US D715,739 S**

(45) **Date of Patent:** **\*\* Oct. 21, 2014**

(54) **POWER RECEPTACLE**

(71) Applicant: **Liang Light Chen**, Los Gatos, CA (US)

(72) Inventor: **Liang Light Chen**, Los Gatos, CA (US)

(\*\*) Term: **14 Years**

(21) Appl. No.: **29/469,389**

(22) Filed: **Oct. 9, 2013**

(51) **LOC (10) Cl.** ..... **13-03**

(52) **U.S. Cl.**  
USPC ..... **D13/139.1**

(58) **Field of Classification Search**

CPC ..... H02M 5/4585; H02G 7/14; H02G 3/088;  
H01L 2924/01079  
USPC ..... D13/139.1, 13.2, 137.1–137.4, 118,  
D13/123, 156, 184, 199, 133; 363/15, 34,  
363/146; 439/105–107, 650–653; 174/42,  
174/45, 50, 54, 53

See application file for complete search history.

(56) **References Cited**

**U.S. PATENT DOCUMENTS**

D400,173 S *	10/1998	Starec et al.	.....	D13/138.1
D530,286 S *	10/2006	Phung et al.	.....	D13/156
D543,148 S *	5/2007	Suckle et al.	.....	D13/146
D544,840 S *	6/2007	Hargreaves et al.	.....	D13/146
D627,730 S *	11/2010	Huang et al.	.....	D13/146
D627,731 S *	11/2010	Huang et al.	.....	D13/146
8,382,507 B2 *	2/2013	Yamaguchi et al.	.....	439/369
D678,200 S *	3/2013	Corona	.....	D13/133
D678,201 S *	3/2013	Corona	.....	D13/133
D687,778 S *	8/2013	Utz	.....	D13/133

\* cited by examiner

*Primary Examiner* — Ian Simmons

*Assistant Examiner* — Rhea Shields

(74) *Attorney, Agent, or Firm* — Douglas L. Weller

(57) **CLAIM**

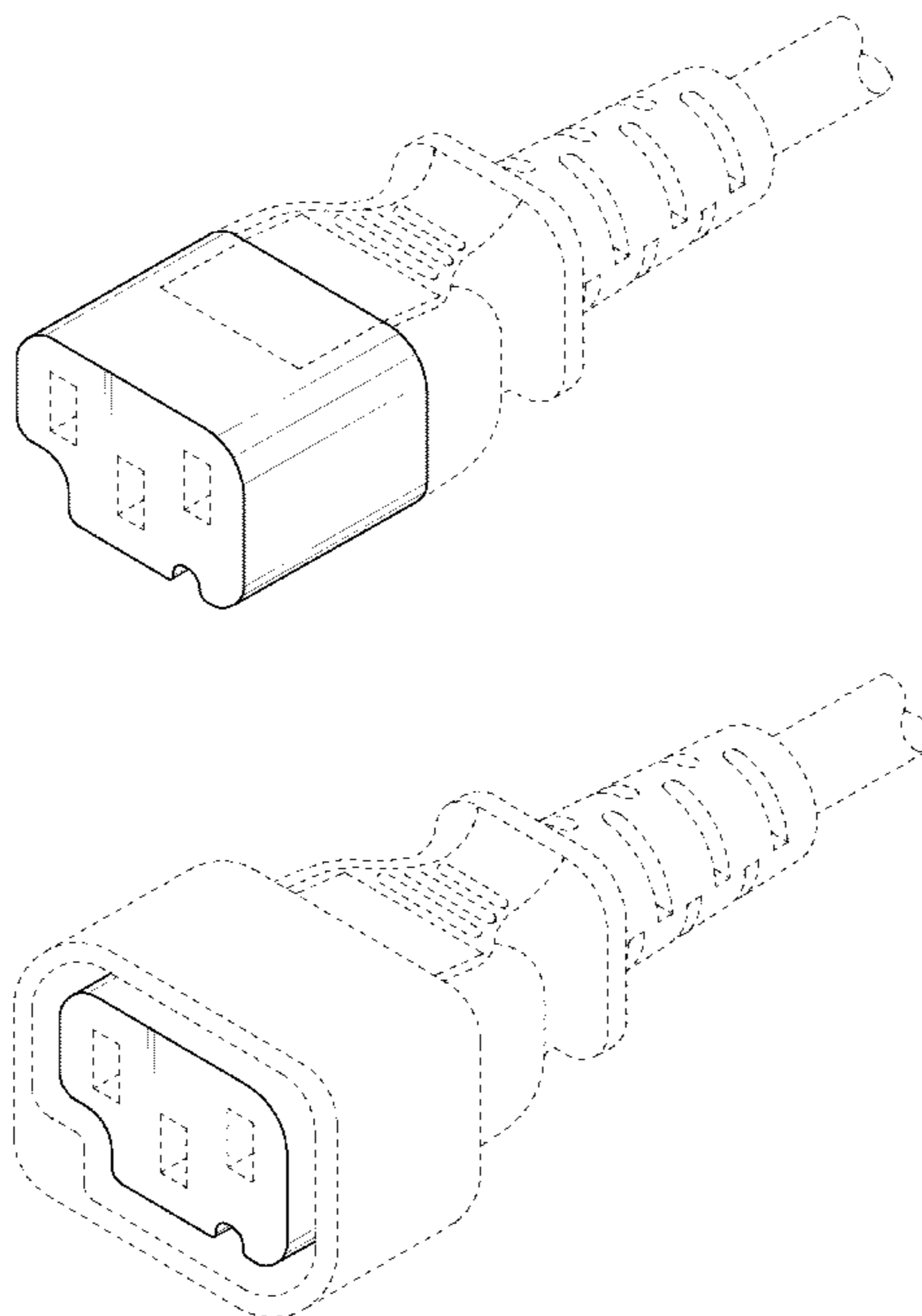
The ornamental design for a power receptacle, as shown and described.

**DESCRIPTION**

FIG. 1 is a top front right view of the power receptacle showing the first embodiment of our new design; FIG. 2 is a bottom front left perspective view thereof; FIG. 3 is a front elevation view thereof; FIG. 4 is a rear elevation view thereof; FIG. 5 is a right elevation view thereof; FIG. 6 is a left elevation view thereof; FIG. 7 is a top plan view thereof; FIG. 8 is a bottom plan view thereof; FIG. 9 is top front left perspective view showing our second embodiment; FIG. 10 is a bottom front right perspective view thereof; FIG. 11 is a front elevation view thereof; FIG. 12 is a rear elevation view thereof; FIG. 13 is a right elevation view thereof; FIG. 14 is a left elevation view thereof; FIG. 15 is a top plan view thereof; FIG. 16 is a bottom plan view thereof; FIG. 17 is top front left perspective view showing our third embodiment; and, FIG. 18 is top front right perspective view showing the fourth embodiment.

In the drawings, the broken lines depict unclaimed subject matter only and form no part of the claimed design.

**1 Claim, 12 Drawing Sheets**



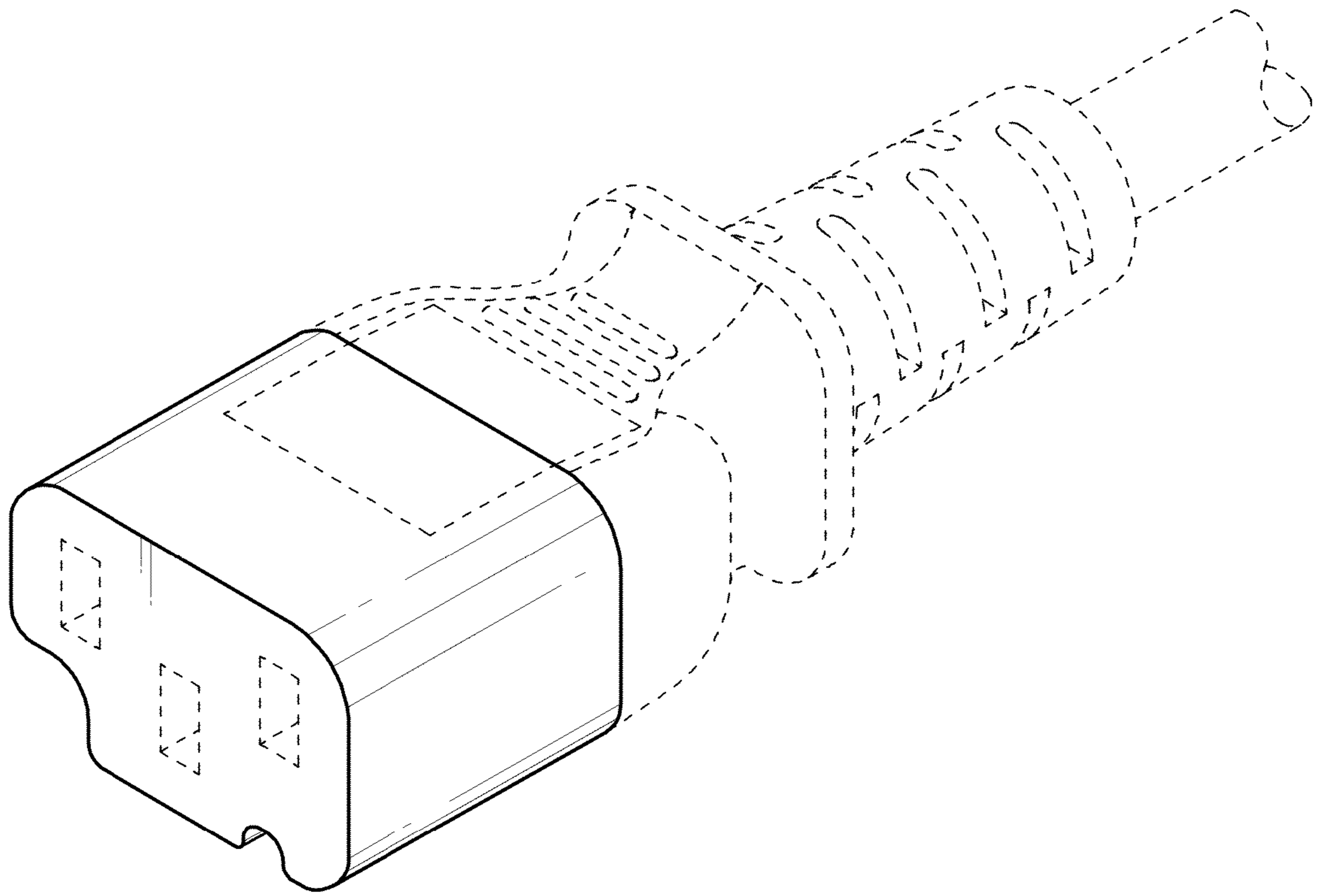


FIG. 1

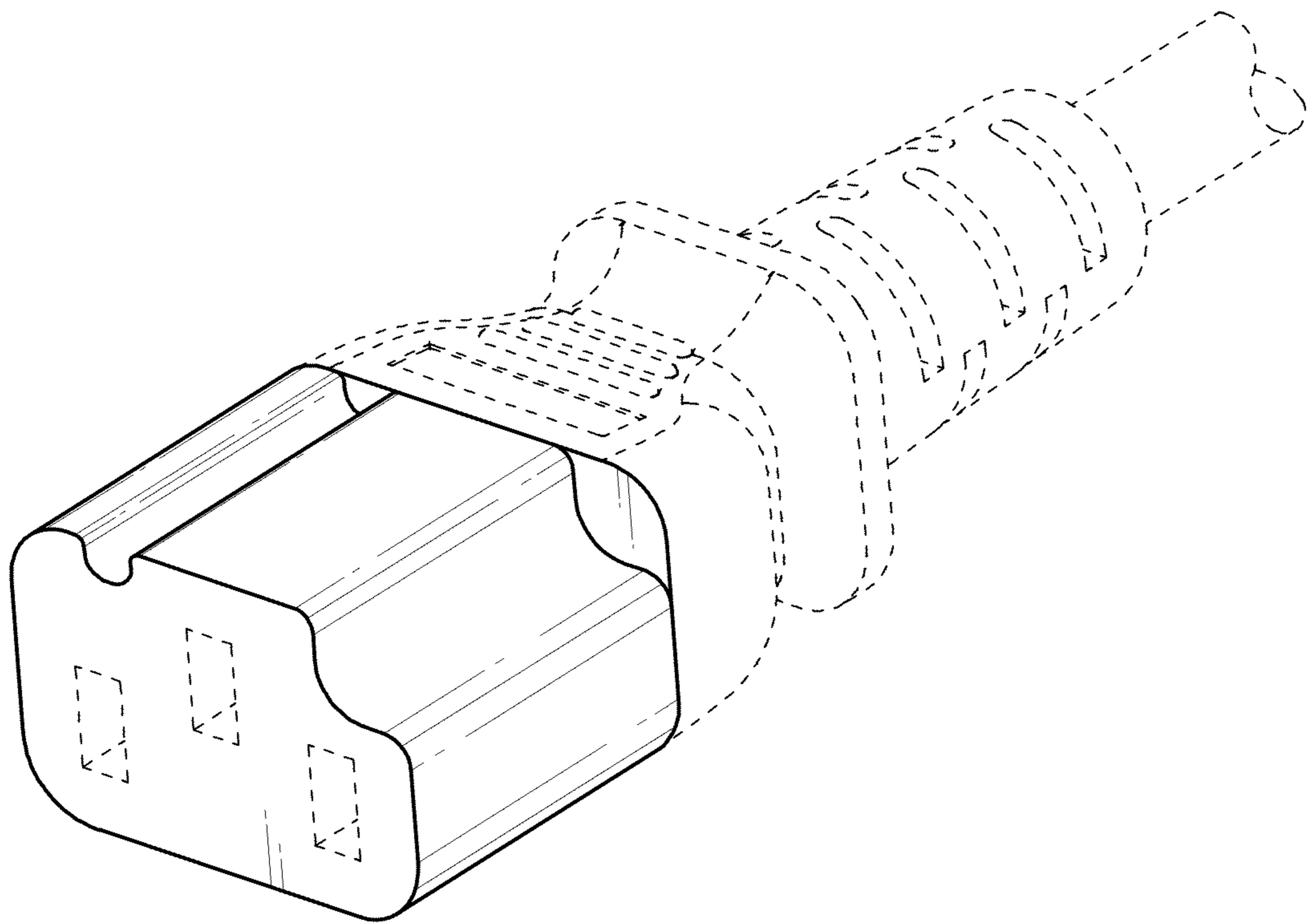


FIG. 2

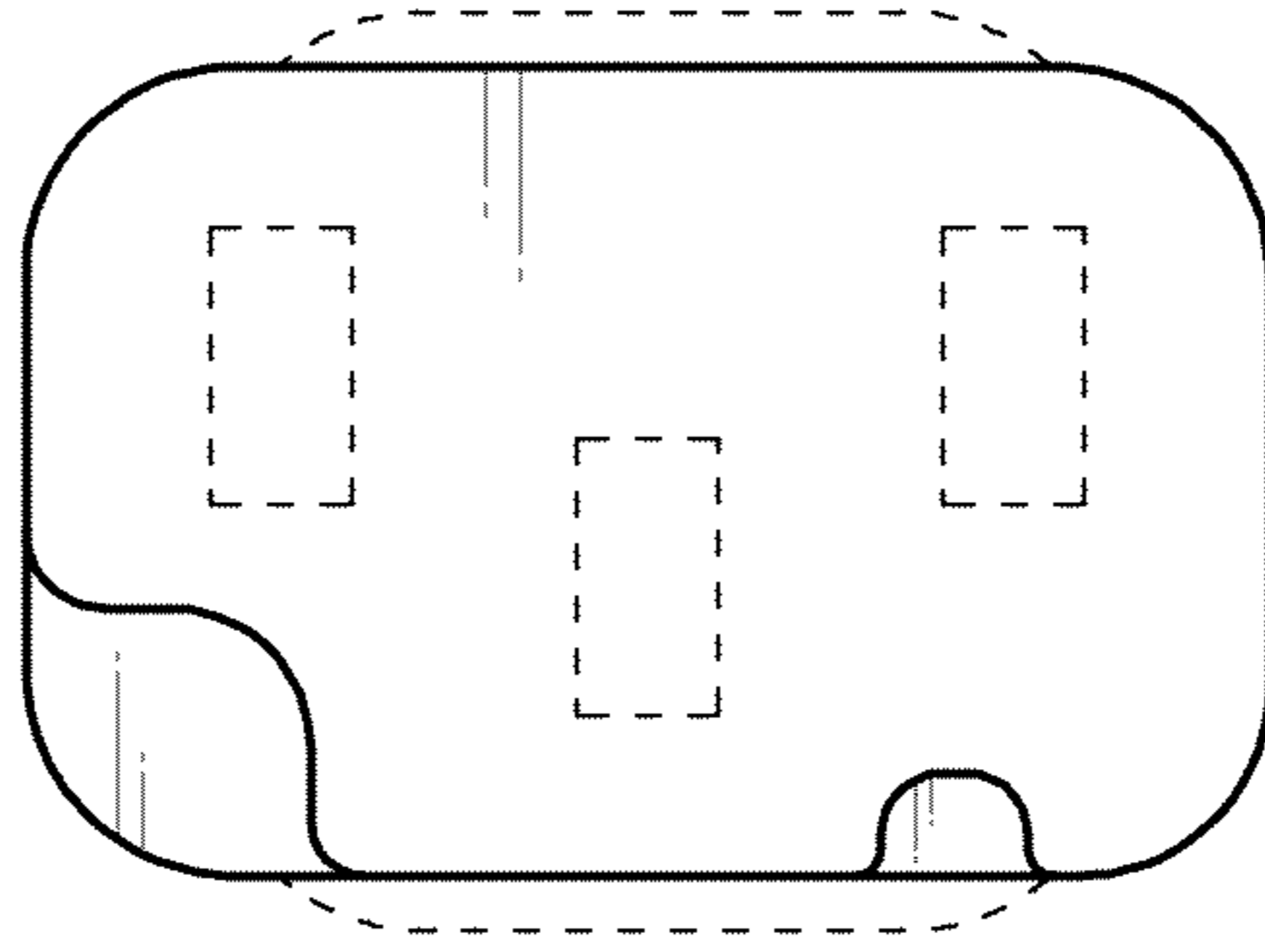


FIG. 3

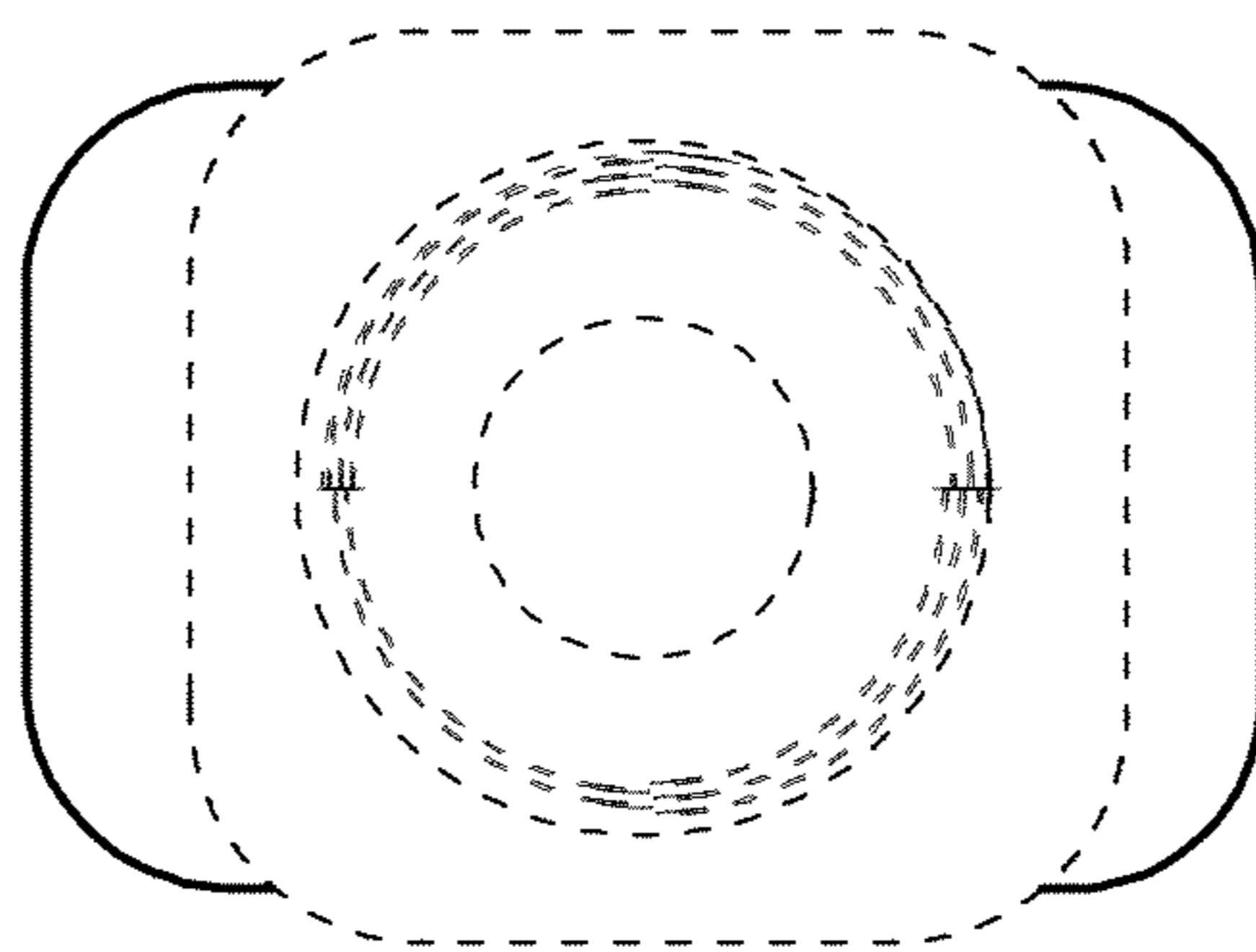


FIG. 4

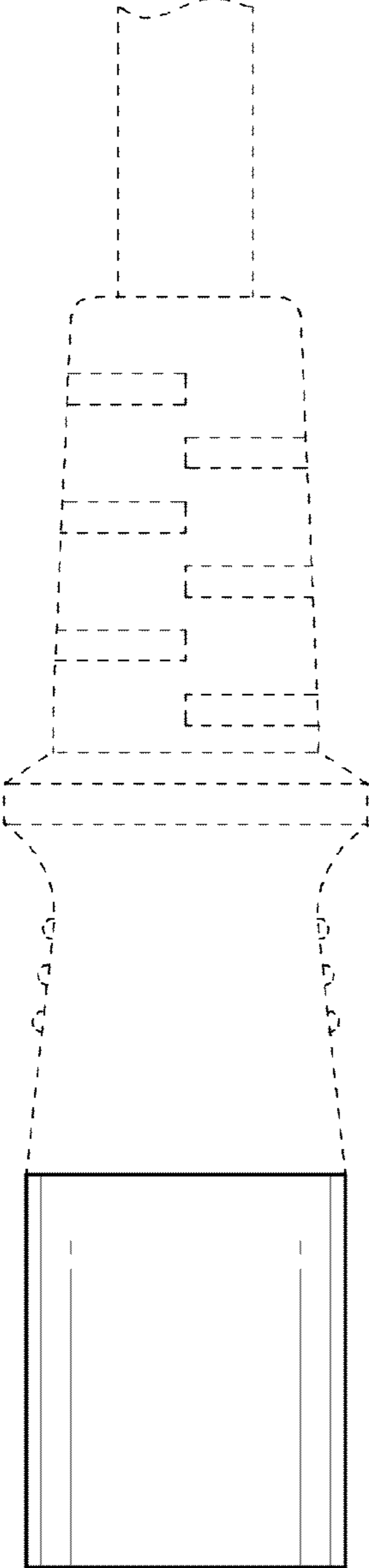


FIG. 5

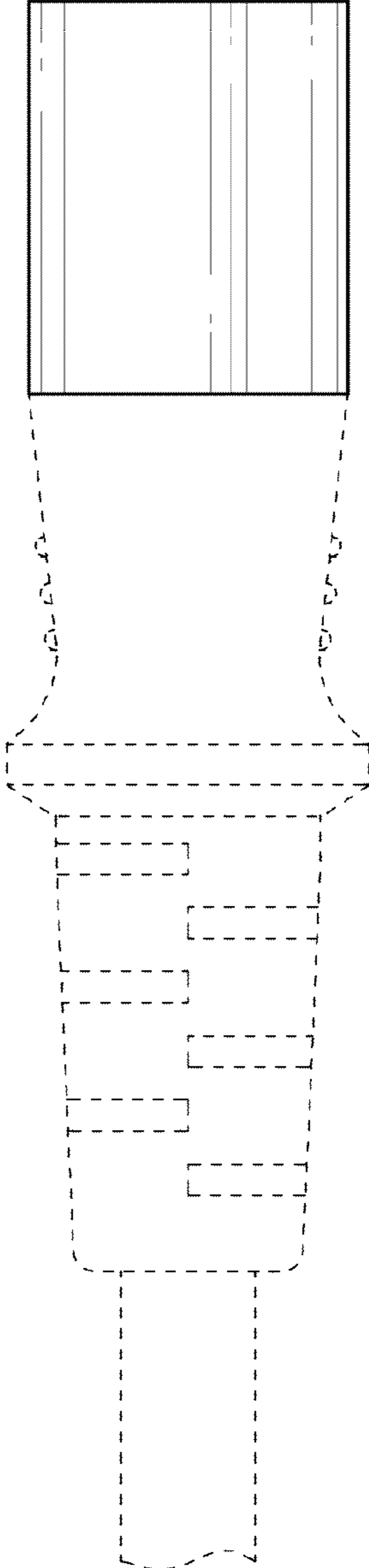


FIG. 6

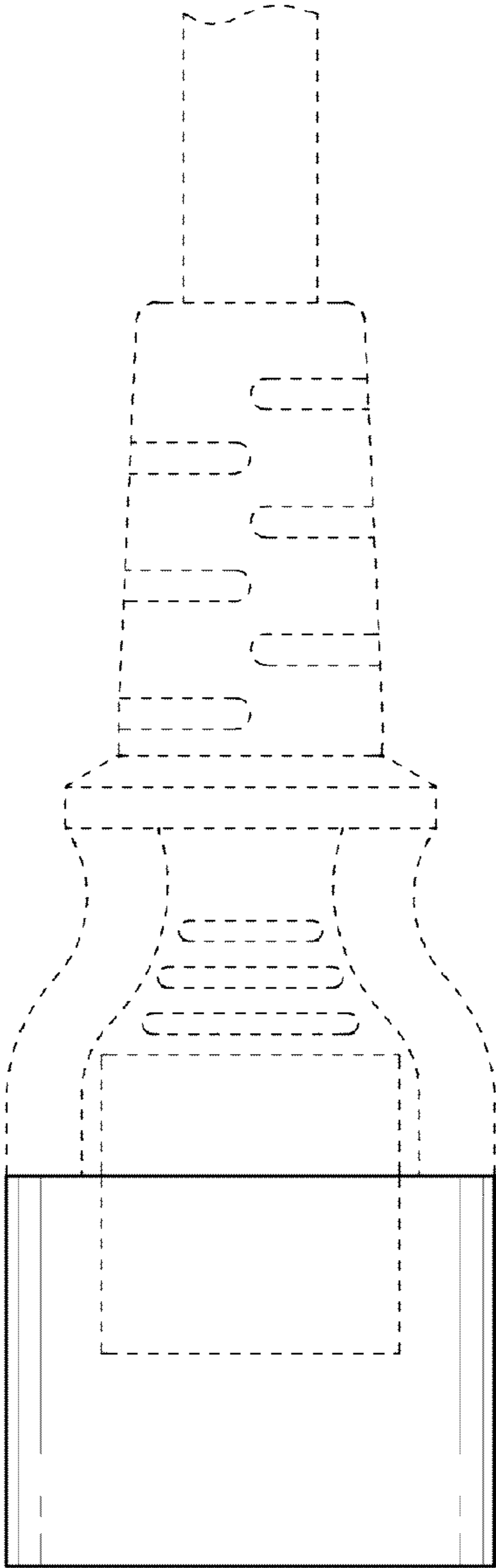


FIG. 7

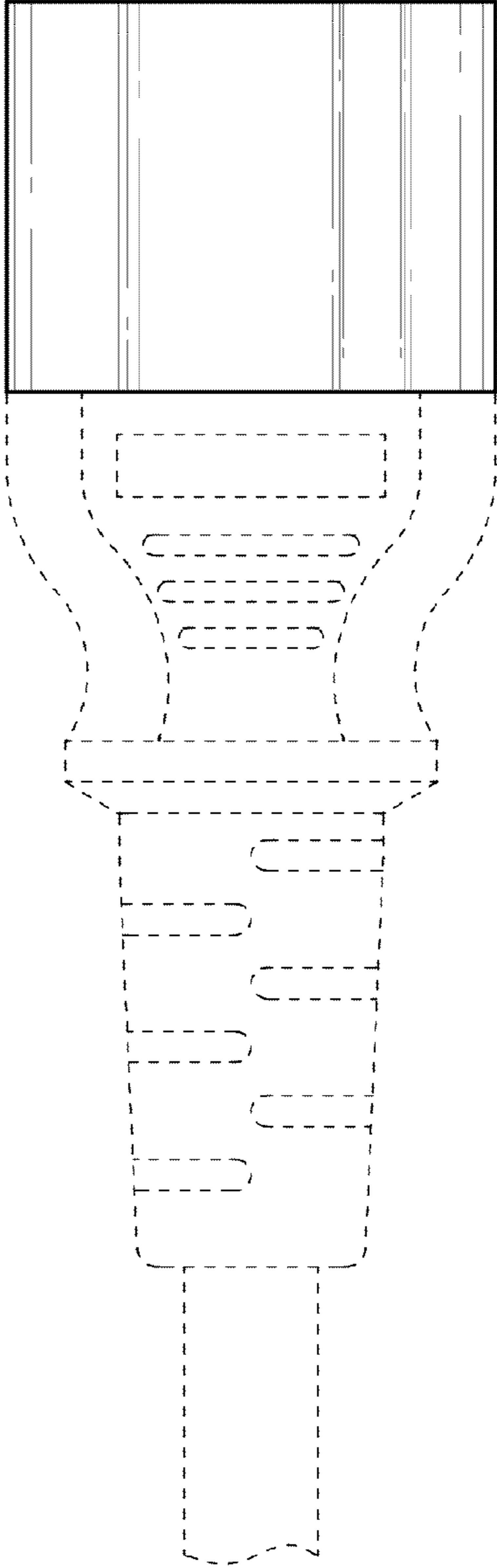


FIG. 8

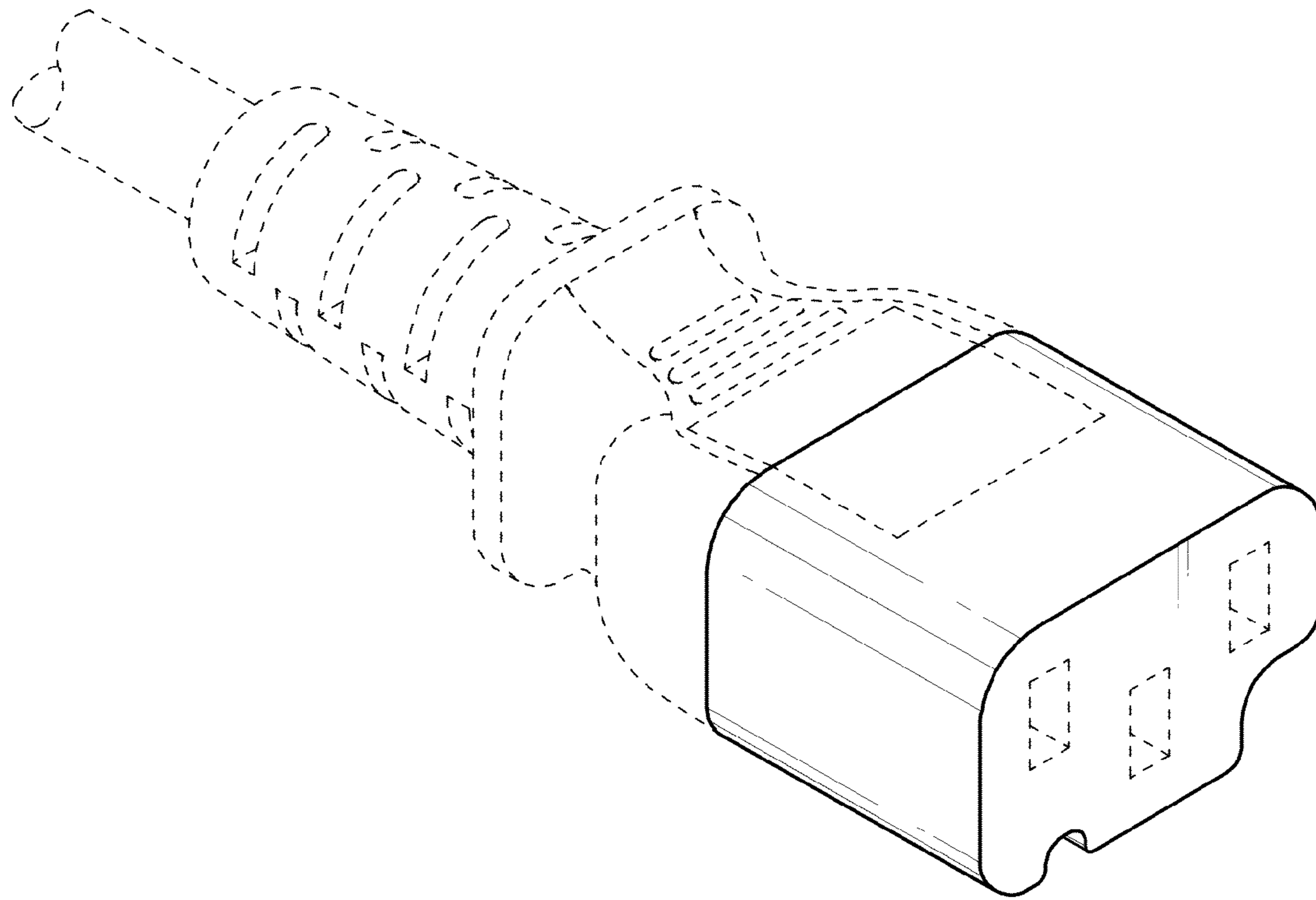


FIG. 9

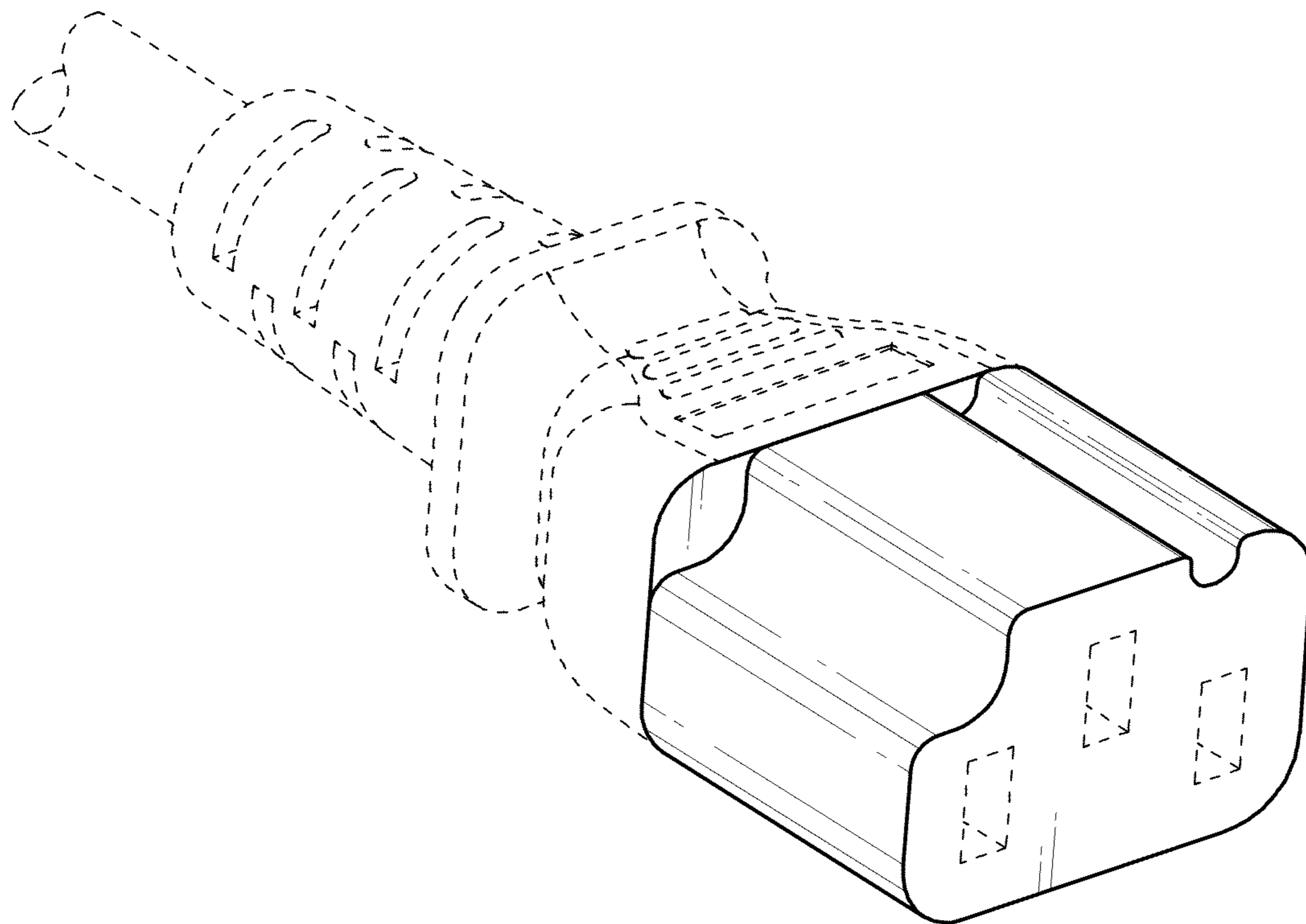


FIG. 10



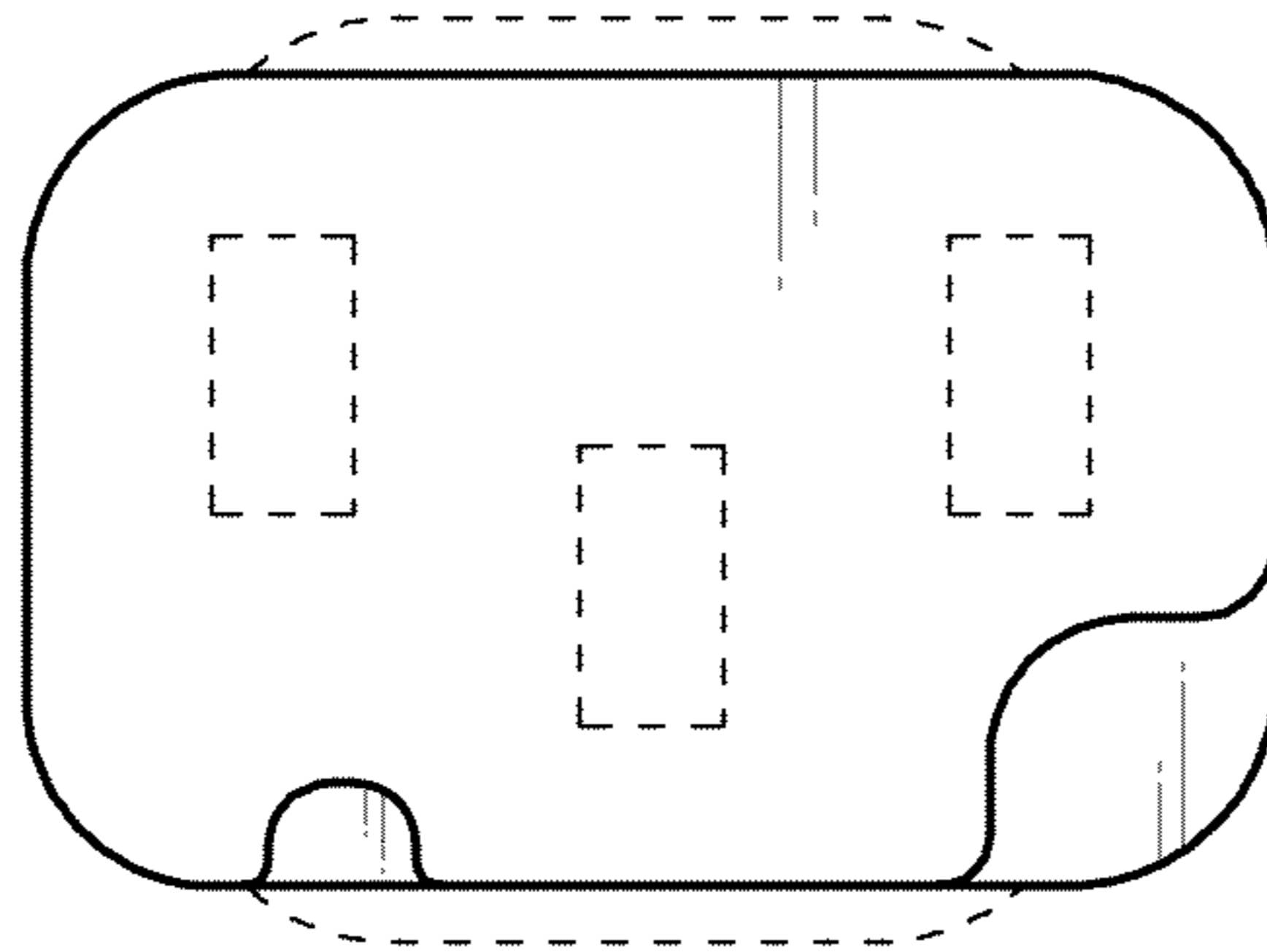


FIG. 11

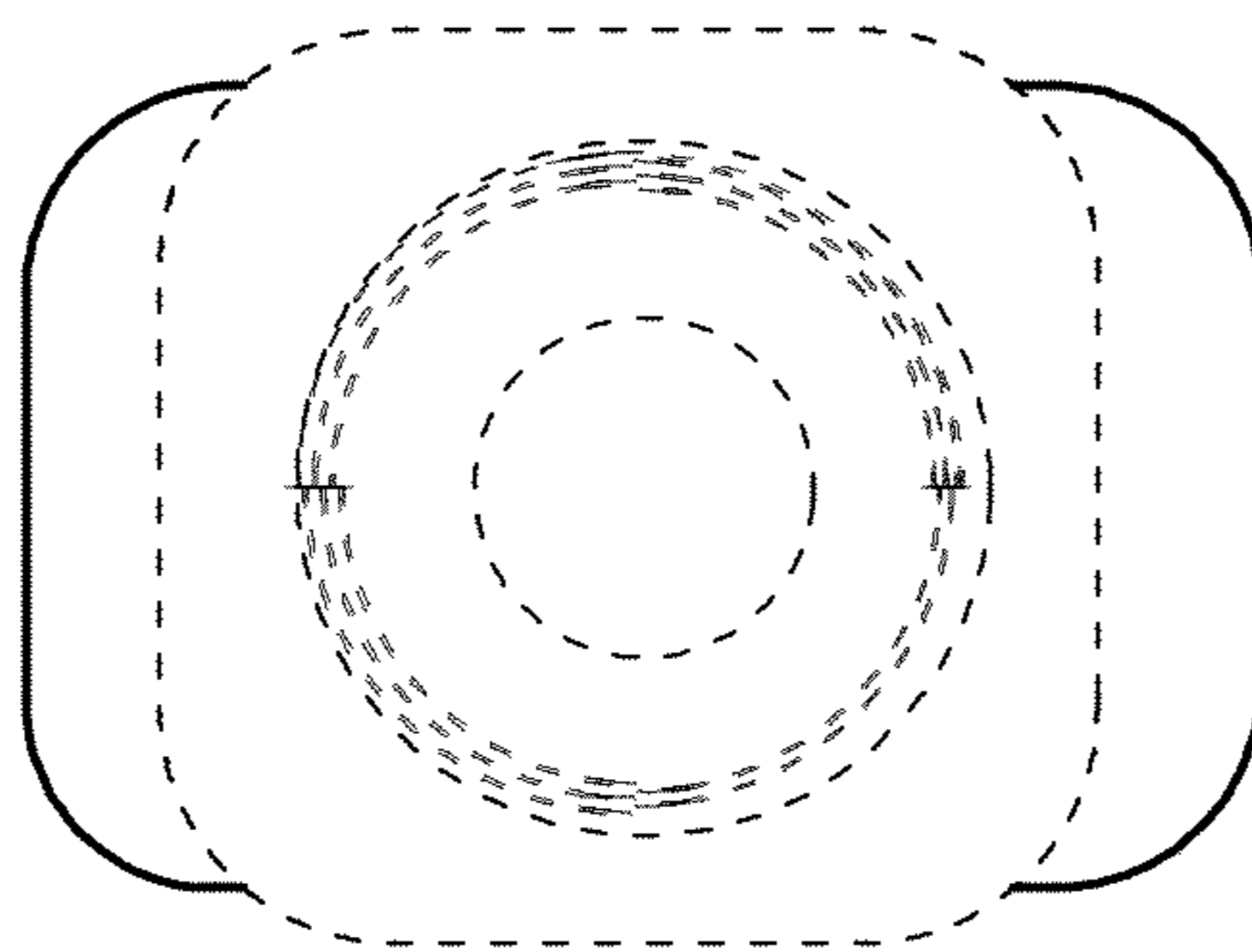


FIG. 12

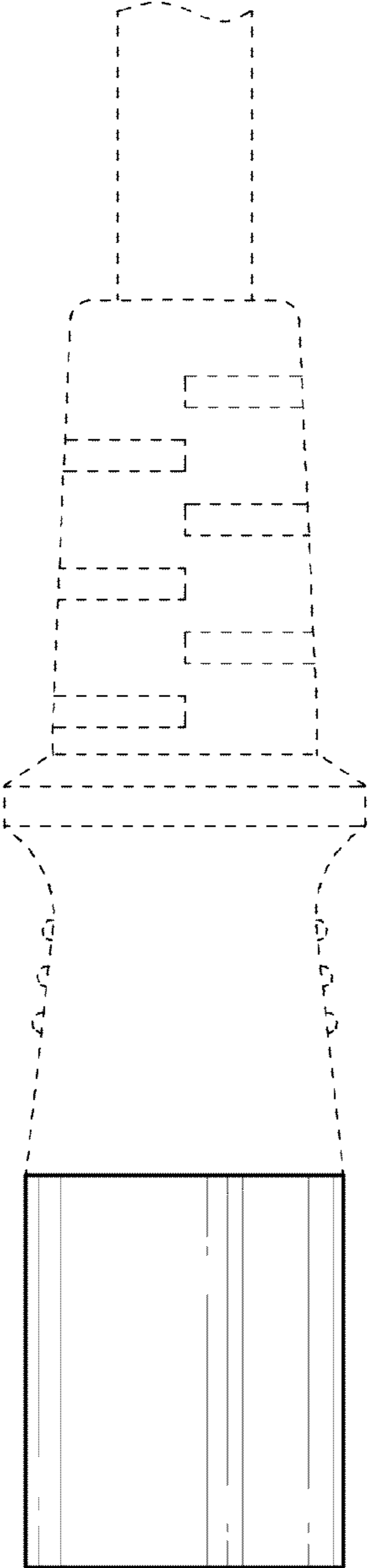


FIG. 13

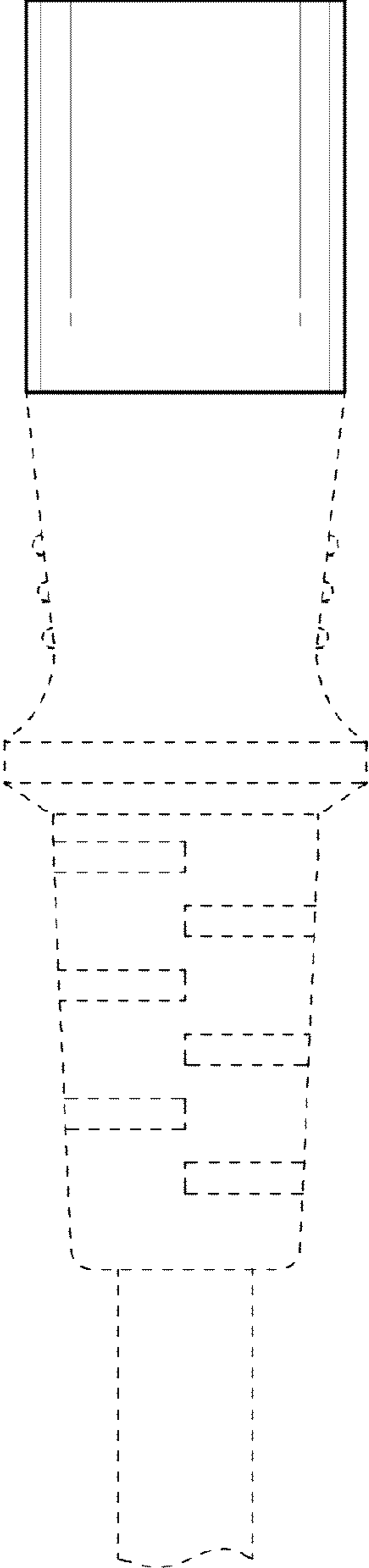


FIG. 14

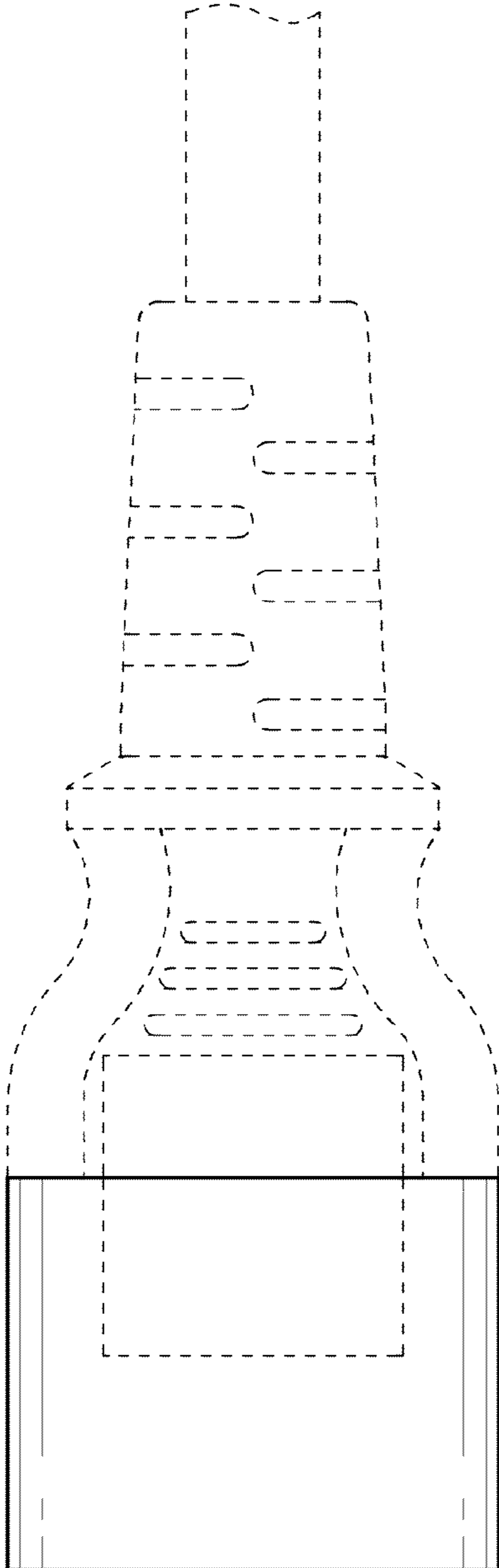


FIG. 15

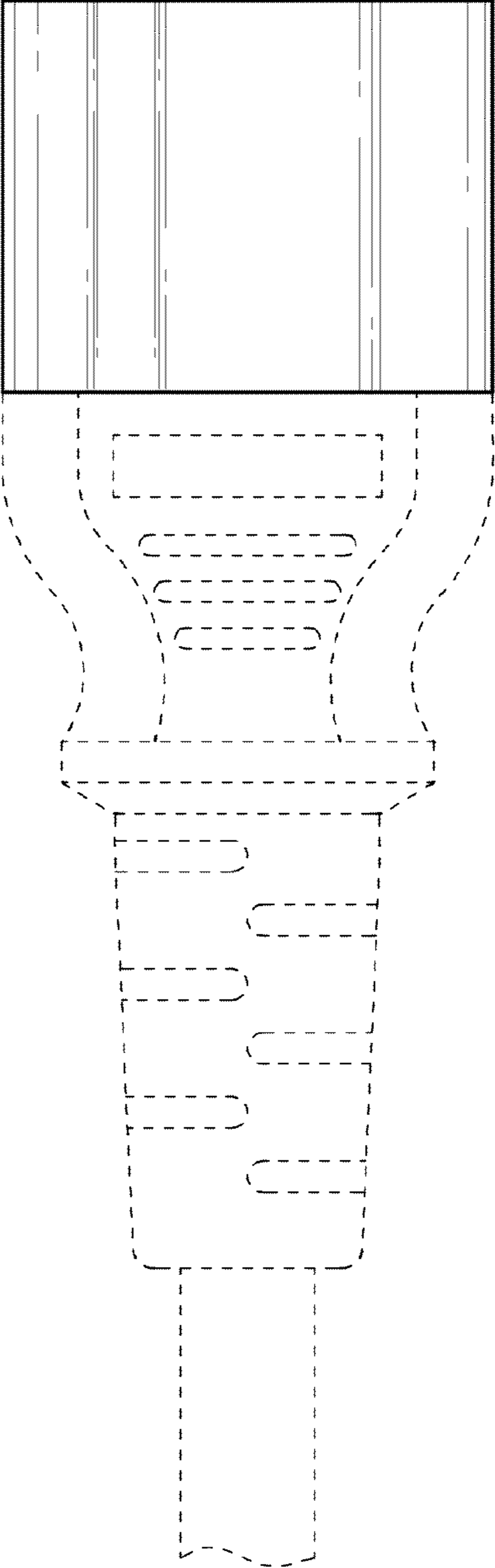


FIG. 16

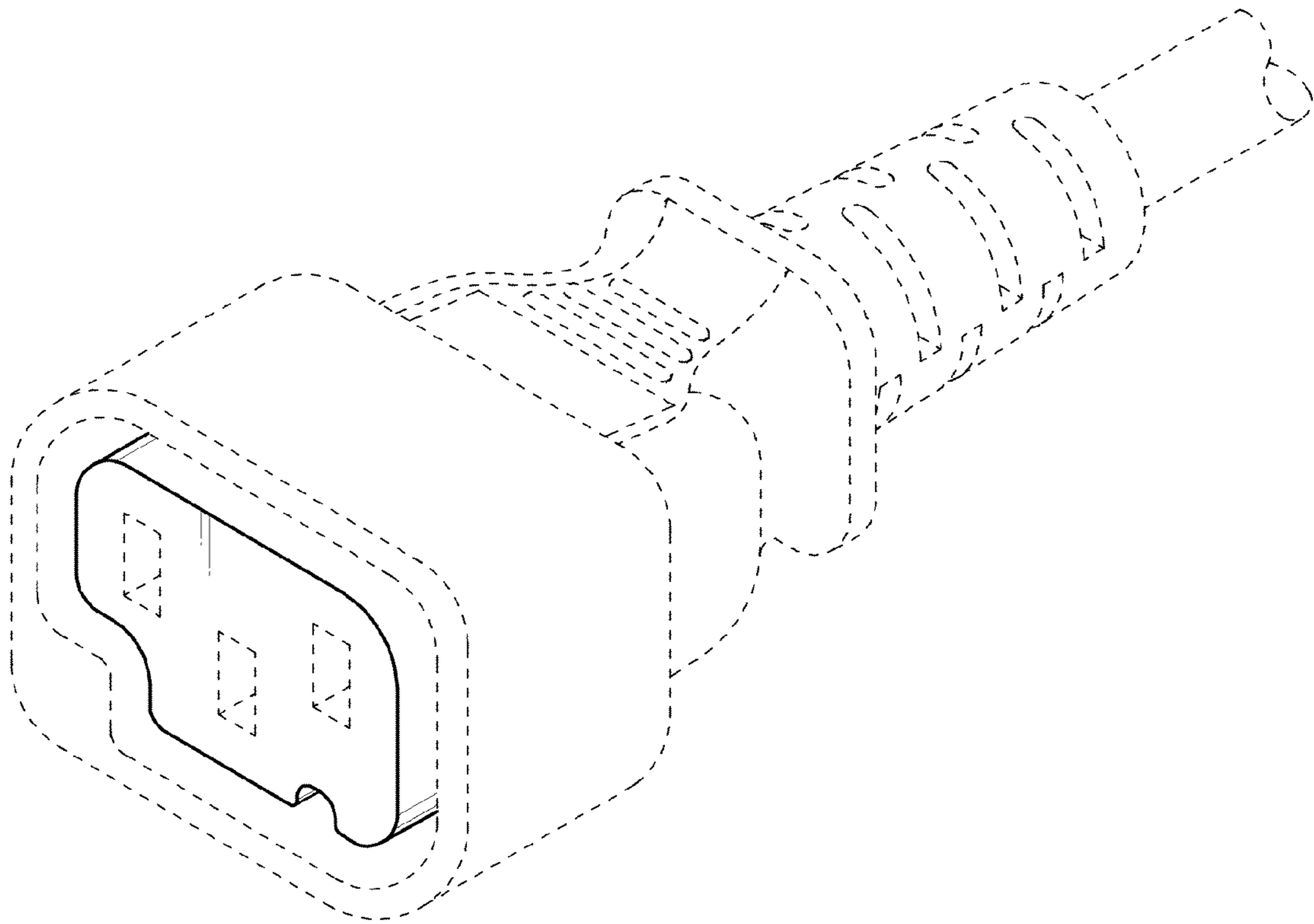


FIG. 17

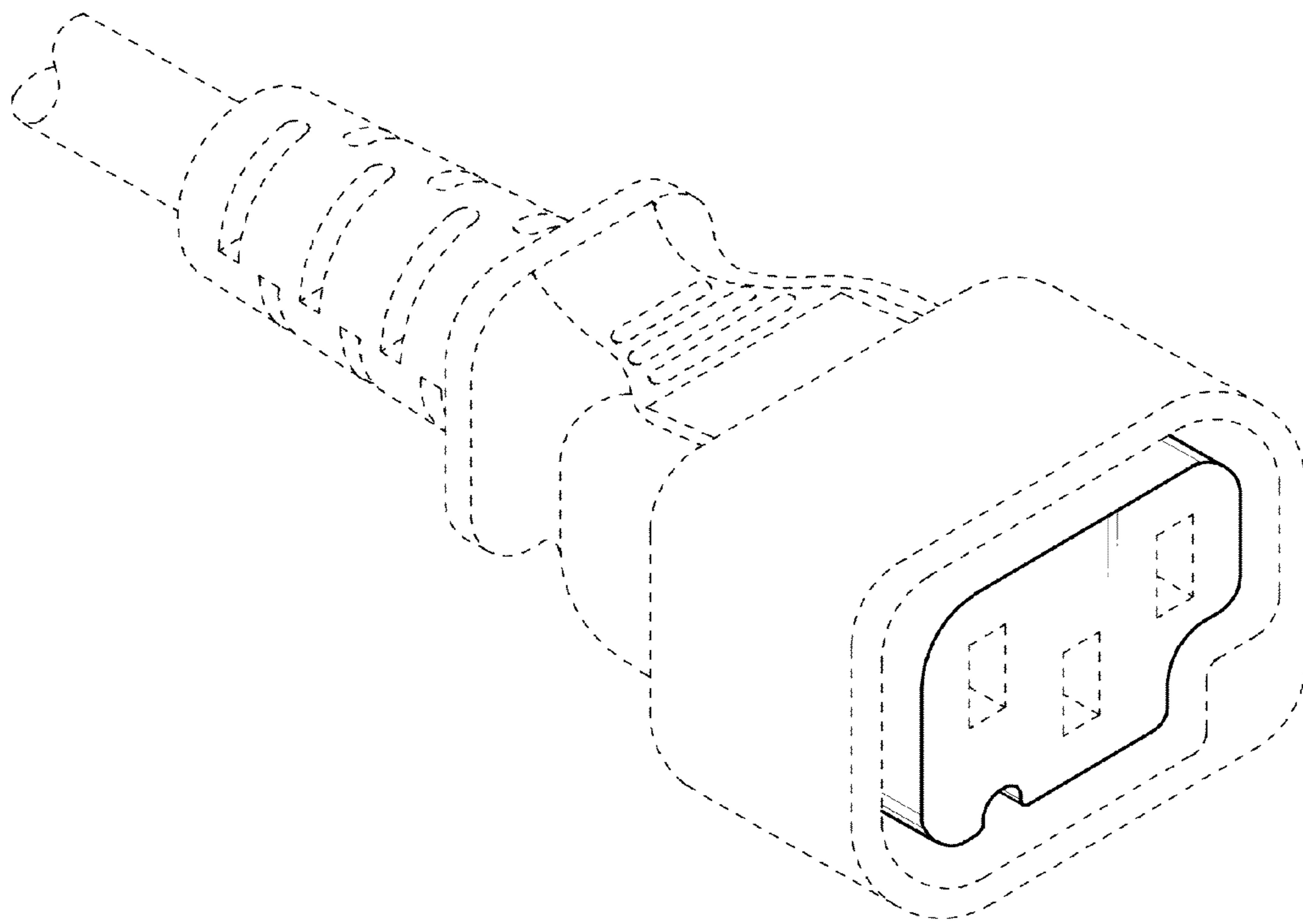


FIG. 18