



US00D715738S

(12) **United States Design Patent**  
**Salmon**

(10) **Patent No.:** **US D715,738 S**

(45) **Date of Patent:** **\*\* Oct. 21, 2014**

(54) **BATTERY BOX**

(71) Applicant: **Flying Dragon Development Limited,**  
New Territories (HK)

(72) Inventor: **Daniel Graham Salmon,** New  
Territories (HK)

(73) Assignee: **Flying Dragon Development Limited,**  
New Territories (HK)

(\*\*) Term: **14 Years**

(21) Appl. No.: **29/465,273**

(22) Filed: **Aug. 26, 2013**

(51) **LOC (10) Cl.** ..... **13-02**

(52) **U.S. Cl.**  
USPC ..... **D13/119**

(58) **Field of Classification Search**  
USPC ..... D13/102-104, 110, 118-121, 184, 199;  
429/96-100, 163, 176; 206/703-705,  
206/461-463, 471, 485, 485.1, 493  
See application file for complete search history.

(56) **References Cited**

**U.S. PATENT DOCUMENTS**

D211,640 S \* 7/1968 MacGillavry ..... D13/119  
3,880,673 A \* 4/1975 Buhner ..... 429/100  
D345,341 S \* 3/1994 Tattari et al. .... D13/119

5,489,486 A \* 2/1996 Glover ..... 429/100  
6,007,941 A \* 12/1999 Hermann et al. .... 429/99  
D488,443 S \* 4/2004 Bailey ..... D13/119  
D506,065 S \* 6/2005 Sugino et al. .... D3/294  
D537,034 S \* 2/2007 Kang et al. .... D13/103  
7,597,199 B1 \* 10/2009 Rochelo ..... 206/703  
2012/0006719 A1 \* 1/2012 Celona et al. .... 206/703

\* cited by examiner

*Primary Examiner* — Rosemary K Tarcza

(74) *Attorney, Agent, or Firm* — Rabin & Berdo, P.C.

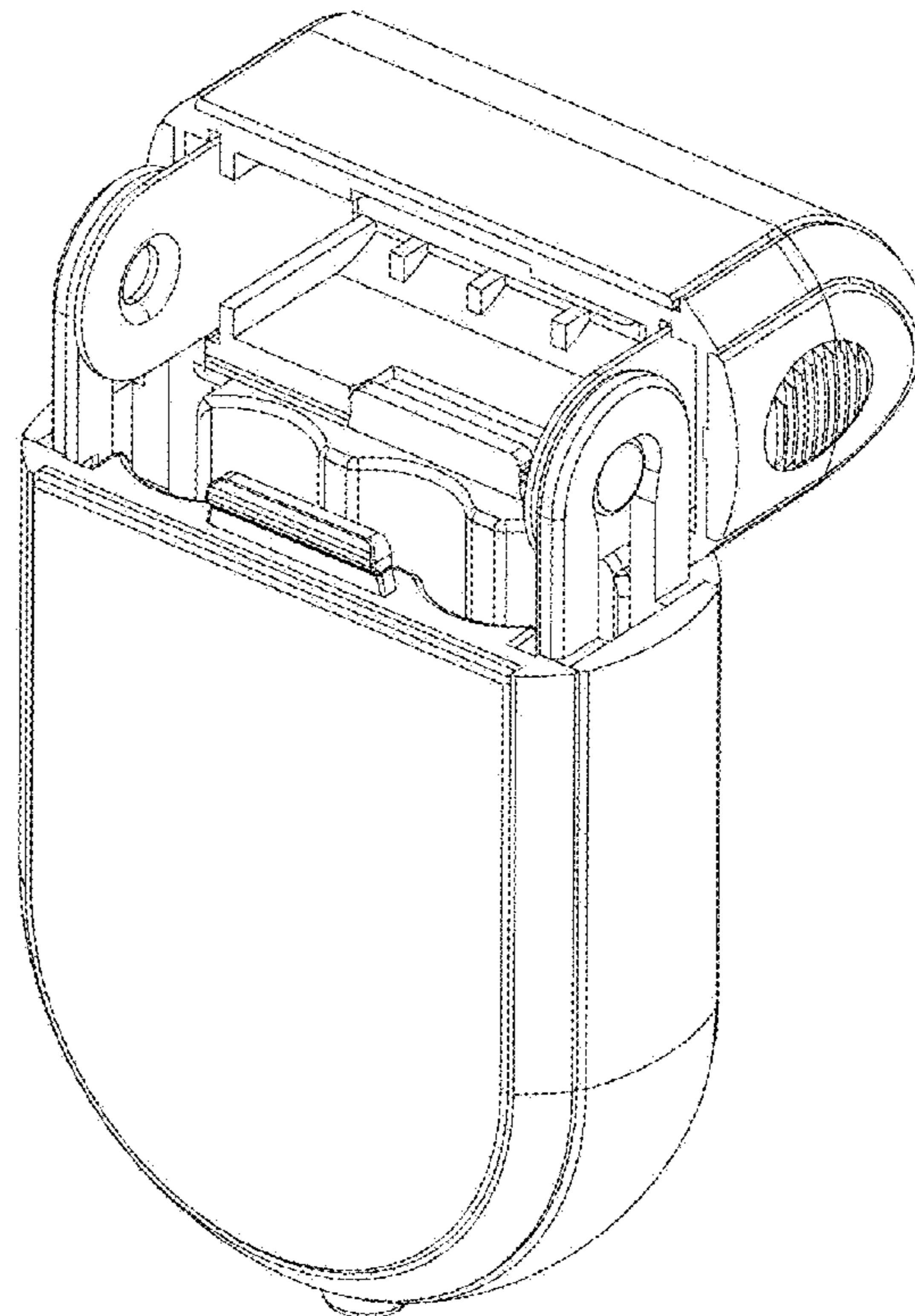
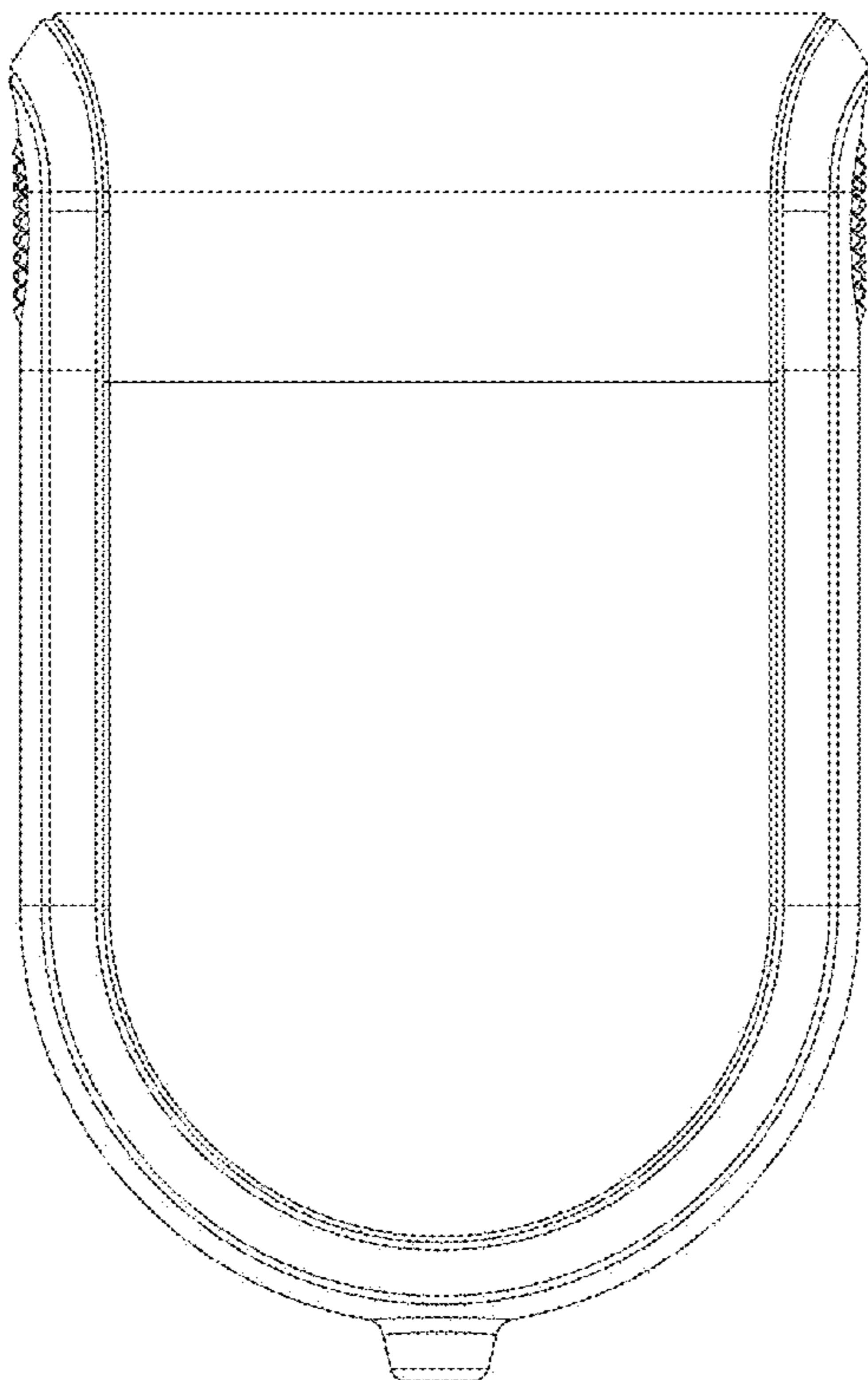
(57) **CLAIM**

The ornamental design for battery box, as shown and described.

**DESCRIPTION**

FIG. 1 is a front view of a battery box showing my new design;  
FIG. 2 is a rear view thereof;  
FIG. 3 is a left side view thereof;  
FIG. 4 is a right side view thereof;  
FIG. 5 is a top plan view thereof;  
FIG. 6 is a bottom plan view thereof;  
FIG. 7 is a perspective view thereof;  
FIG. 8 is another perspective view thereof;  
FIG. 9 is another perspective view thereof; shown in an alternate position; and,  
FIG. 10 is another perspective view thereof; shown in an alternate position.

**1 Claim, 10 Drawing Sheets**



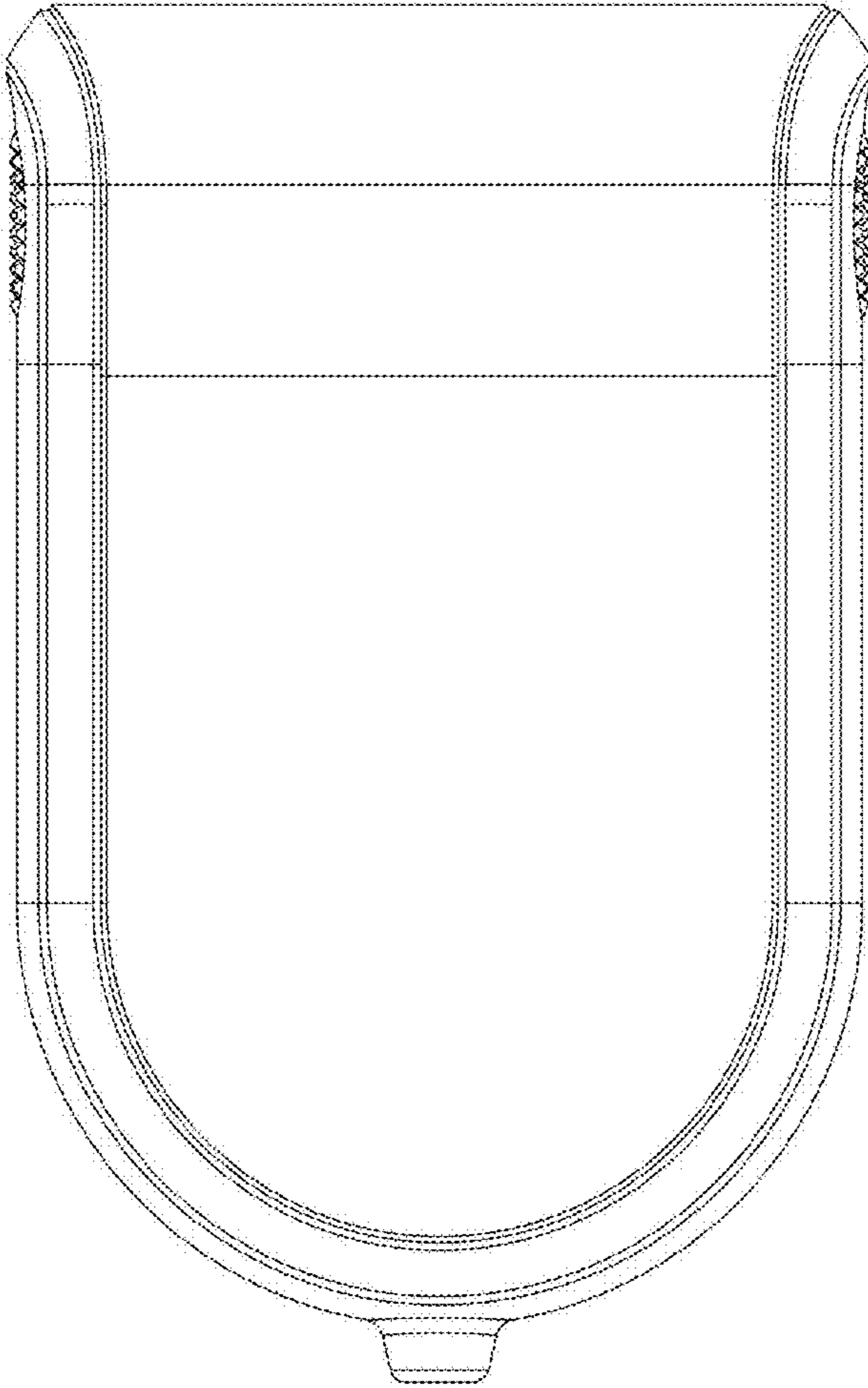
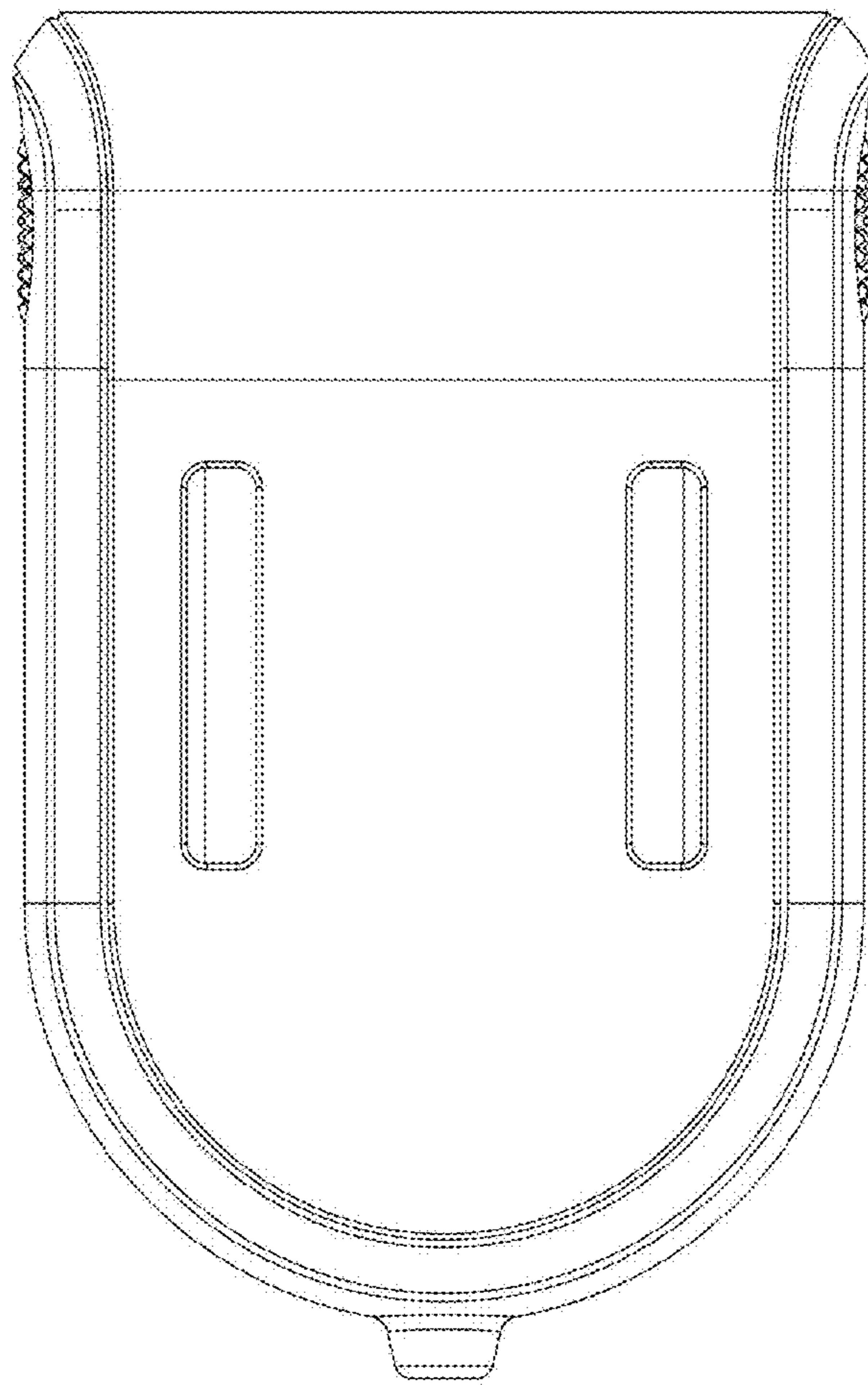
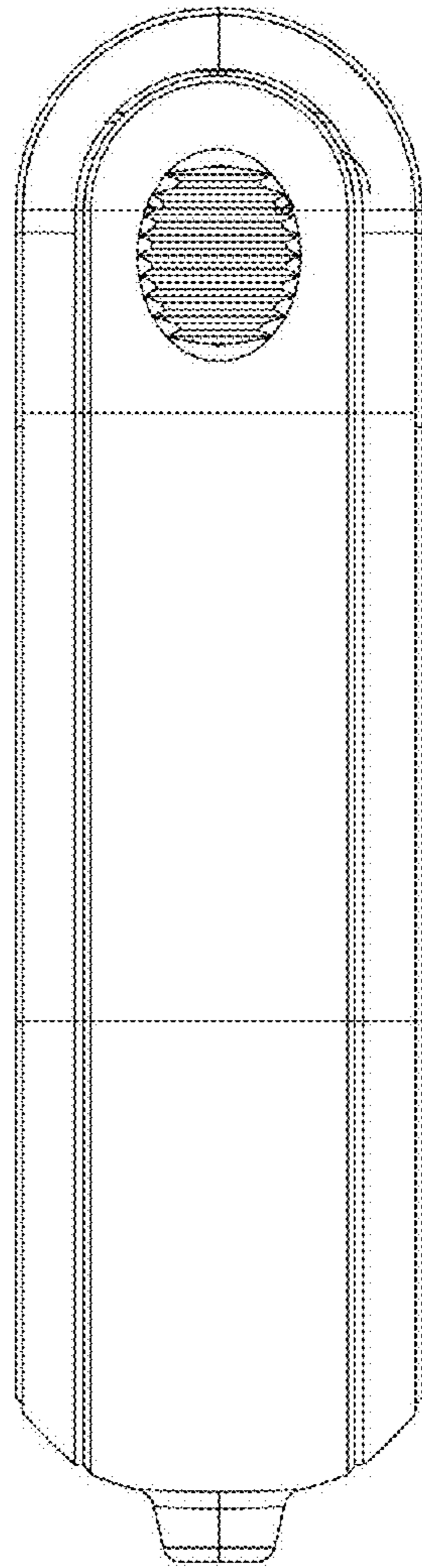


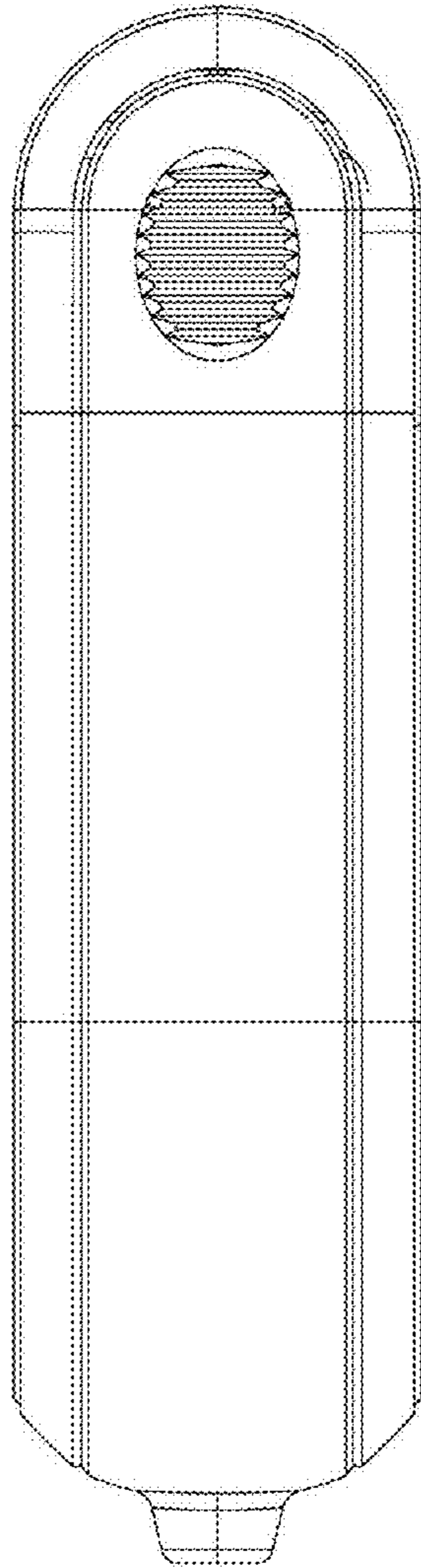
FIG. 1



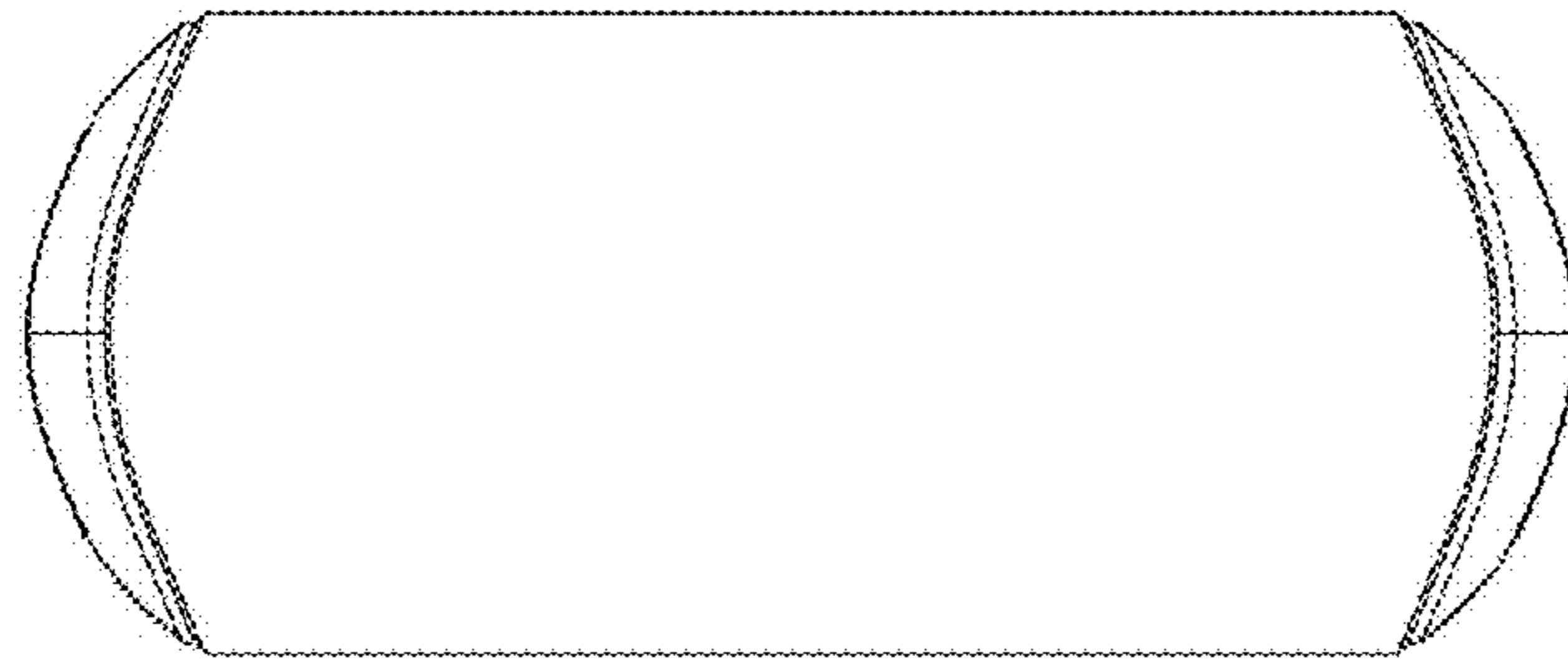
**FIG. 2**



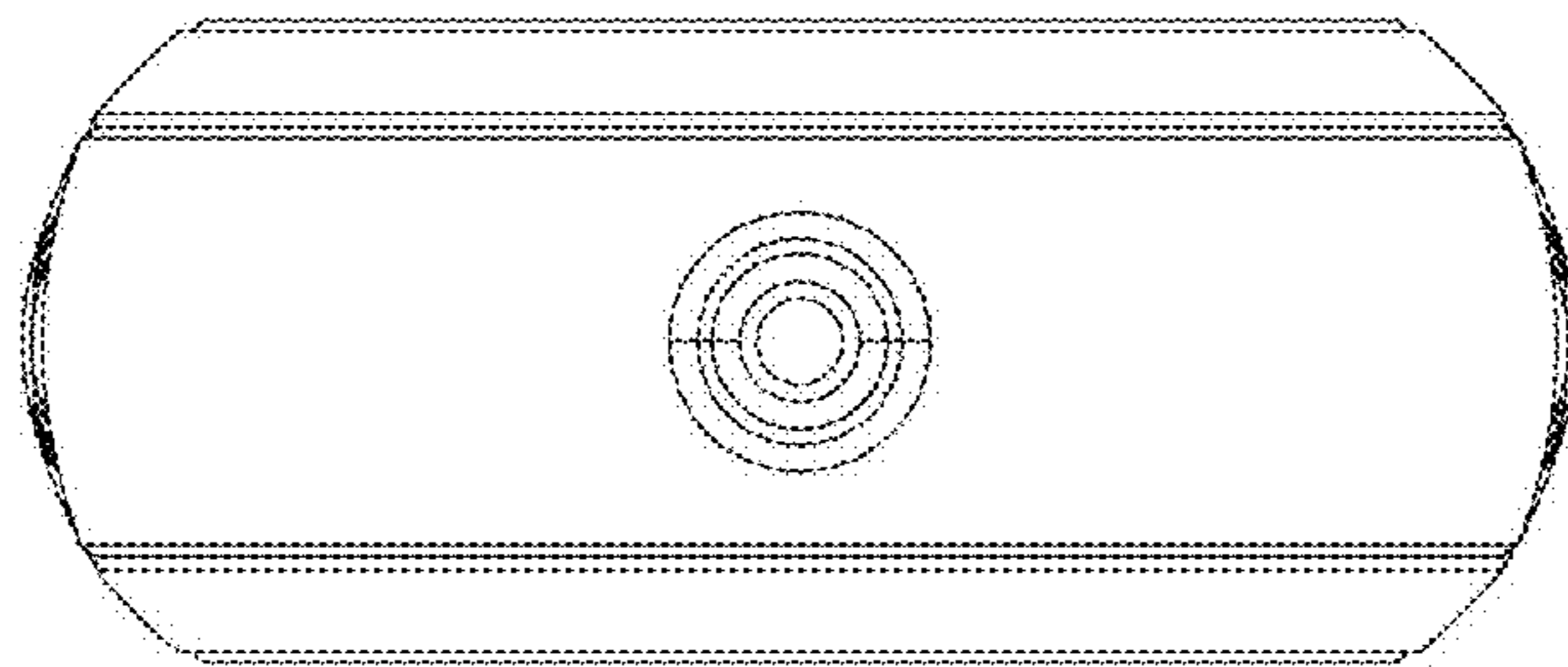
**FIG. 3**



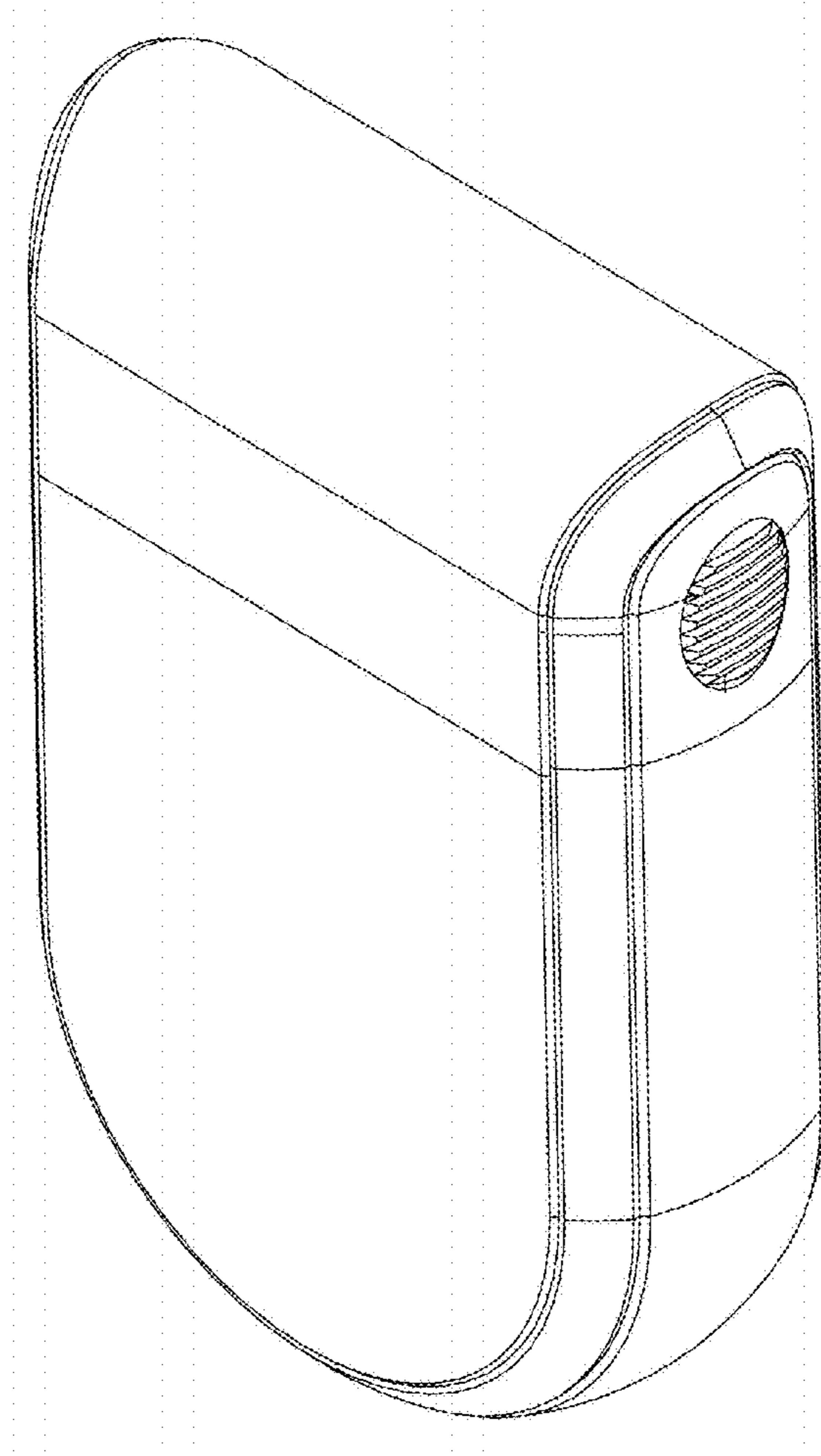
**FIG. 4**



**FIG. 5**

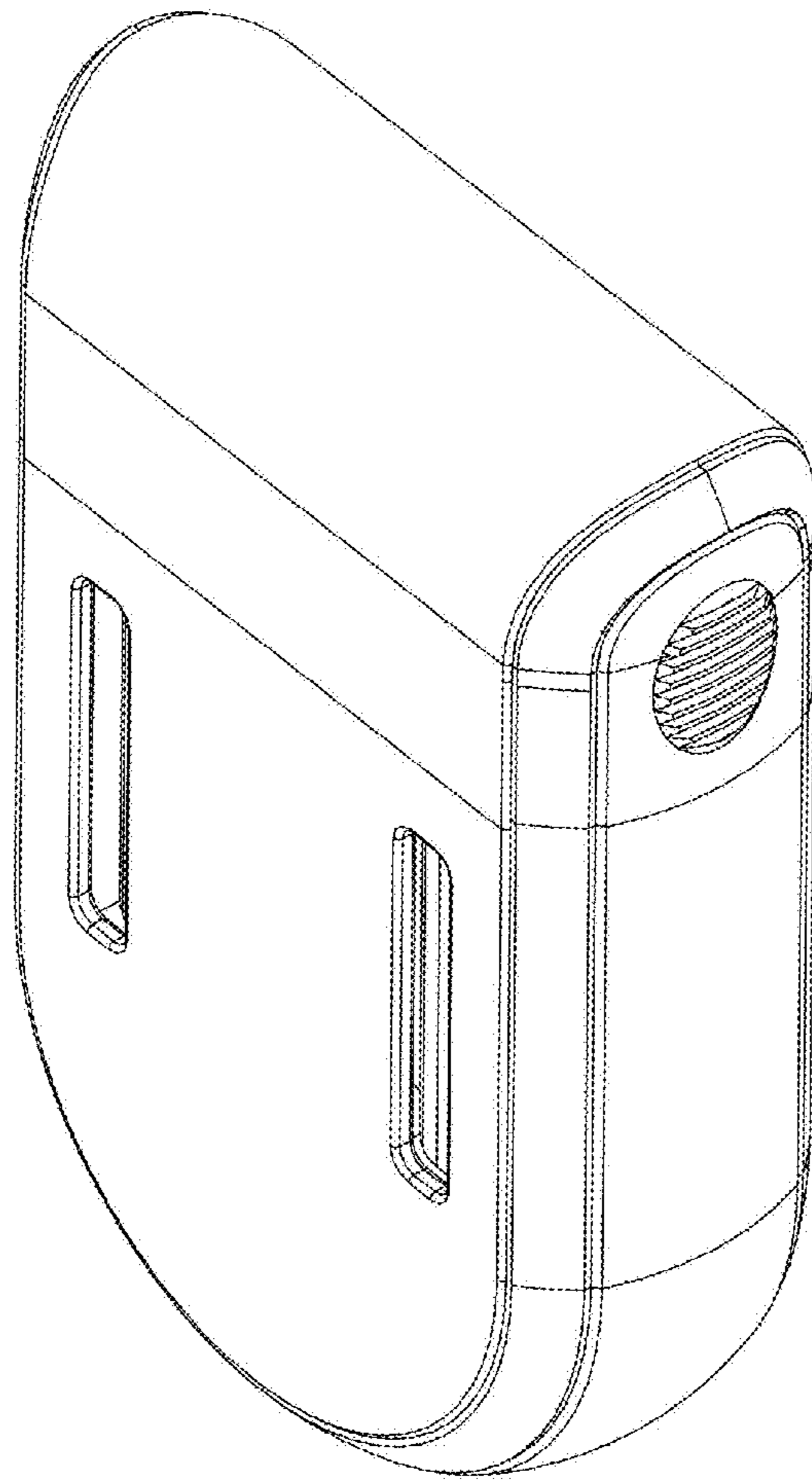


**FIG. 6**

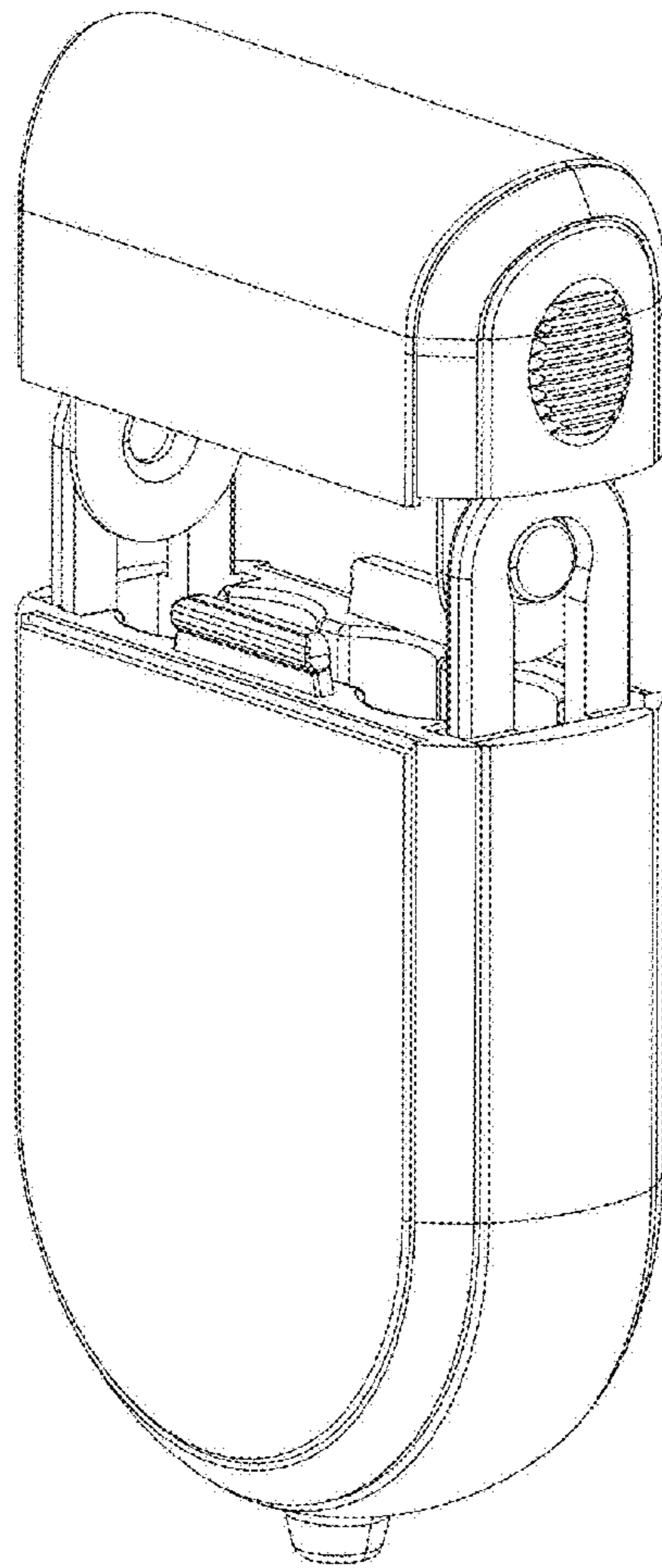


**FIG. 7**

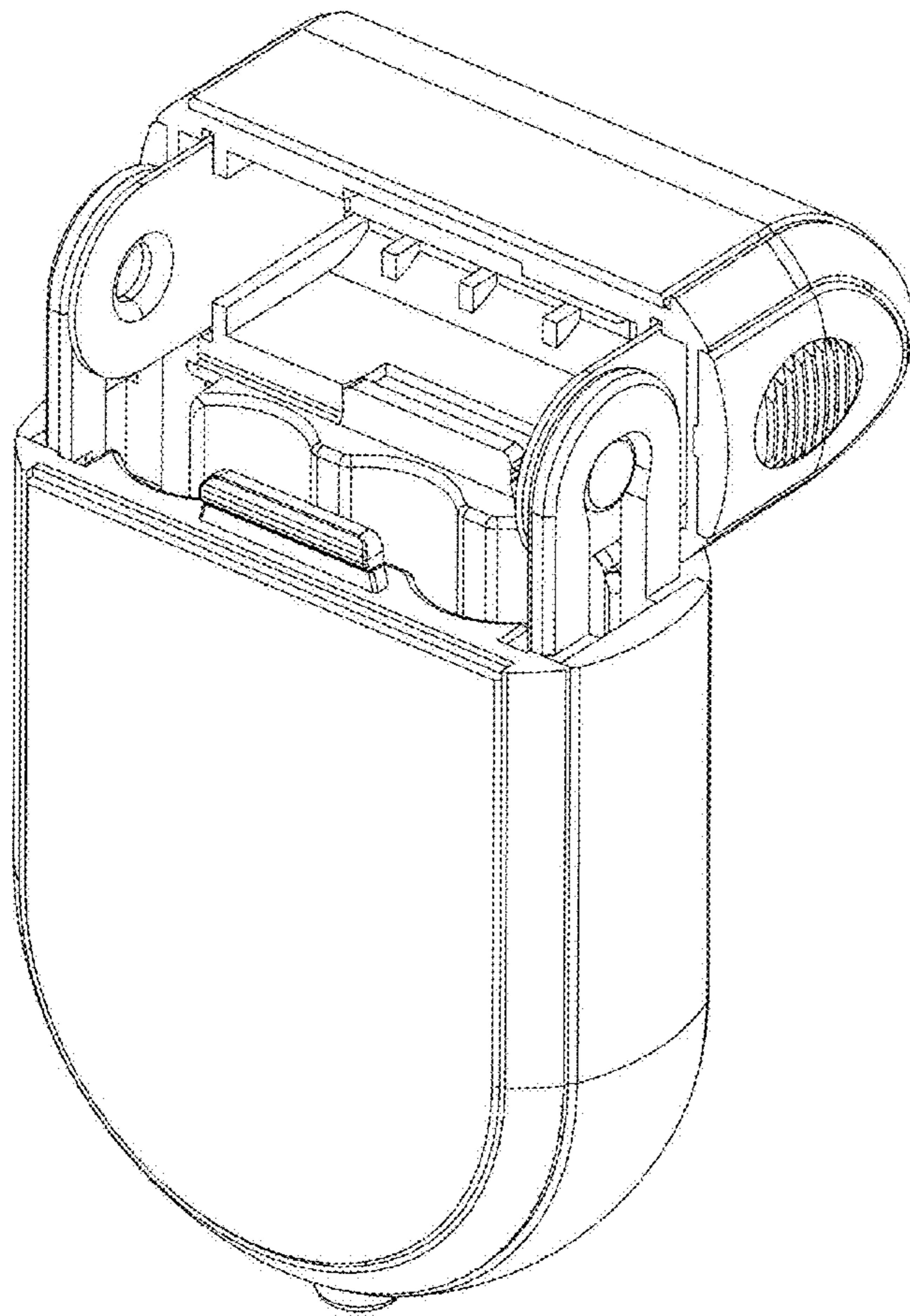




**FIG. 8**



**FIG. 9**



**FIG. 10**