



US00D715737S

(12) **United States Design Patent**
Cooper

(10) **Patent No.:** **US D715,737 S**
(45) **Date of Patent:** **** Oct. 21, 2014**

(54) **WIND TURBINE**

(71) Applicant: **Raymond Cooper**, Mitchellville, MD
(US)

(72) Inventor: **Raymond Cooper**, Mitchellville, MD
(US)

(**) Term: **14 Years**

(21) Appl. No.: **29/454,433**

(22) Filed: **May 9, 2013**

(51) **LOC (10) Cl.** **13-01**

(52) **U.S. Cl.**
USPC **D13/115**

(58) **Field of Classification Search**
USPC D13/101, 114, 115, 118, 122, 184, 199;
D12/344, 345; D15/1, 199; 290/52, 54,
290/55; 415/4.2, 24, 129, 130, 186, 208.1,
415/208.2, 208.4, 907; 416/87, 197 A
See application file for complete search history.

(56) **References Cited**

U.S. PATENT DOCUMENTS

| | | | | | |
|-----------|------|---------|------------------|-------|---------|
| 372,148 | A * | 10/1887 | Henderson | | 415/4.2 |
| 1,519,447 | A * | 12/1924 | Fortier-Beaulieu | | 415/186 |
| 4,236,866 | A | 12/1980 | Zapata Martinez | | |
| 4,606,697 | A | 8/1986 | Appel | | |
| D338,871 | S * | 8/1993 | Carfagno | | D13/115 |
| D368,480 | S | 4/1996 | Thirumalaisamy | | |
| 6,168,373 | B1 * | 1/2001 | Vauthier | | 415/7 |
| D487,060 | S * | 2/2004 | Ehrenberger | | D13/115 |

| | | | | | |
|--------------|------|---------|-------------------|-------|---------|
| D554,546 | S * | 11/2007 | Hart | | D10/59 |
| D608,736 | S * | 1/2010 | Brock | | D13/115 |
| D614,131 | S * | 4/2010 | Presz et al. | | D13/115 |
| D614,132 | S * | 4/2010 | Presz et al. | | D13/115 |
| D625,261 | S | 10/2010 | Winkler | | |
| D626,505 | S | 11/2010 | Sonne | | |
| D640,978 | S | 7/2011 | Presz, Jr. et al. | | |
| 8,096,750 | B2 * | 1/2012 | McEntee et al. | | 415/4.2 |
| 8,257,018 | B2 | 9/2012 | Coffey | | |
| 2004/0036297 | A1 | 2/2004 | John | | |
| 2006/0257240 | A1 | 11/2006 | Naskali | | |
| 2009/0317255 | A1 | 12/2009 | Bertony | | |

* cited by examiner

Primary Examiner — Derrick Holland

(74) *Attorney, Agent, or Firm* — QuickPatents; Kevin Prince

(57) **CLAIM**

I claim the ornamental design for a wind turbine, as shown and described.

DESCRIPTION

FIG. 1 is a front perspective view of a wind turbine, showing my new design;

FIG. 2 is a cross-sectional view thereof, taken along line 2-2 of FIG. 8;

FIG. 3 is a front elevational view thereof;

FIG. 4 is a rear elevational view thereof;

FIG. 5 is a top plan view thereof;

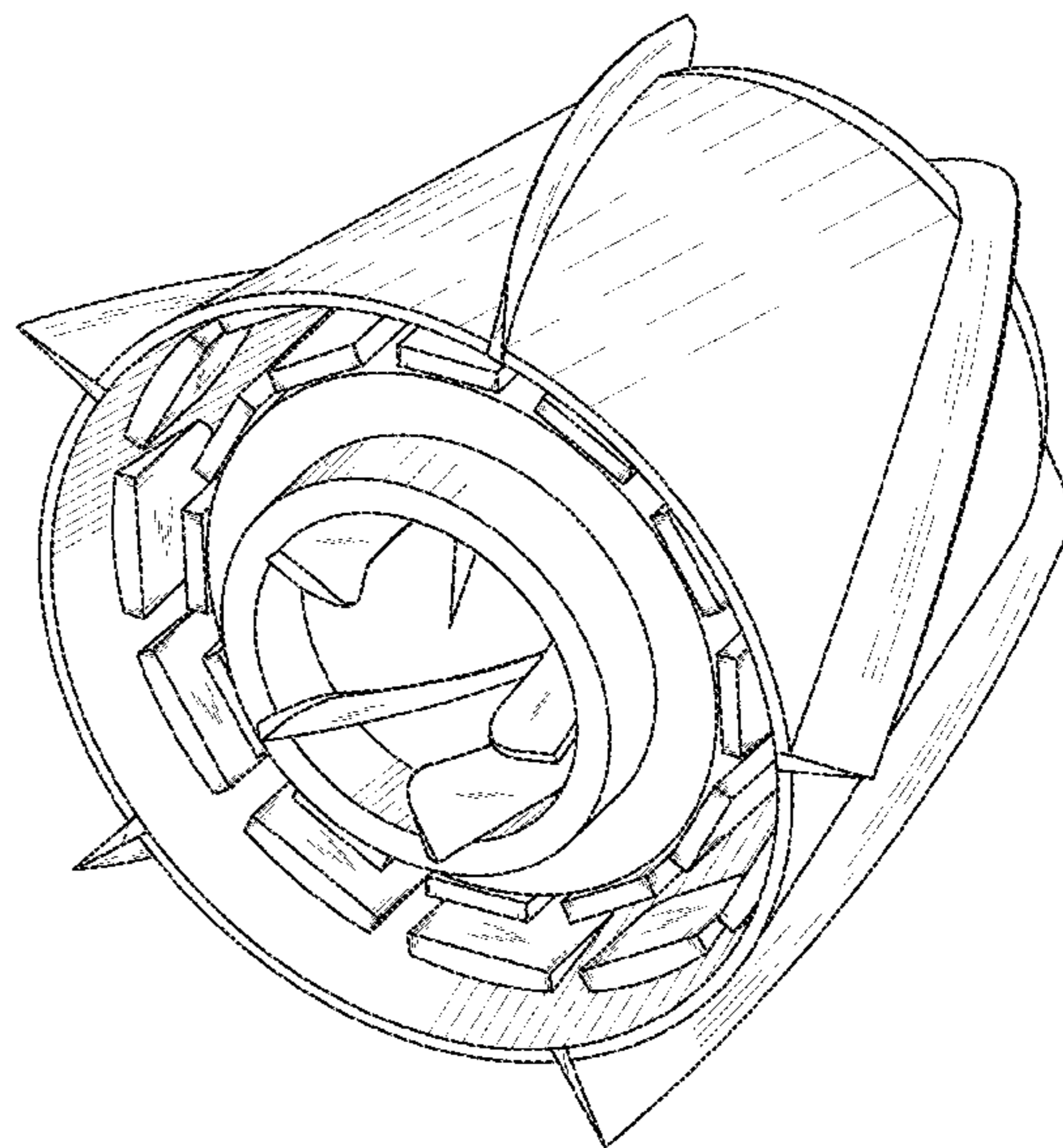
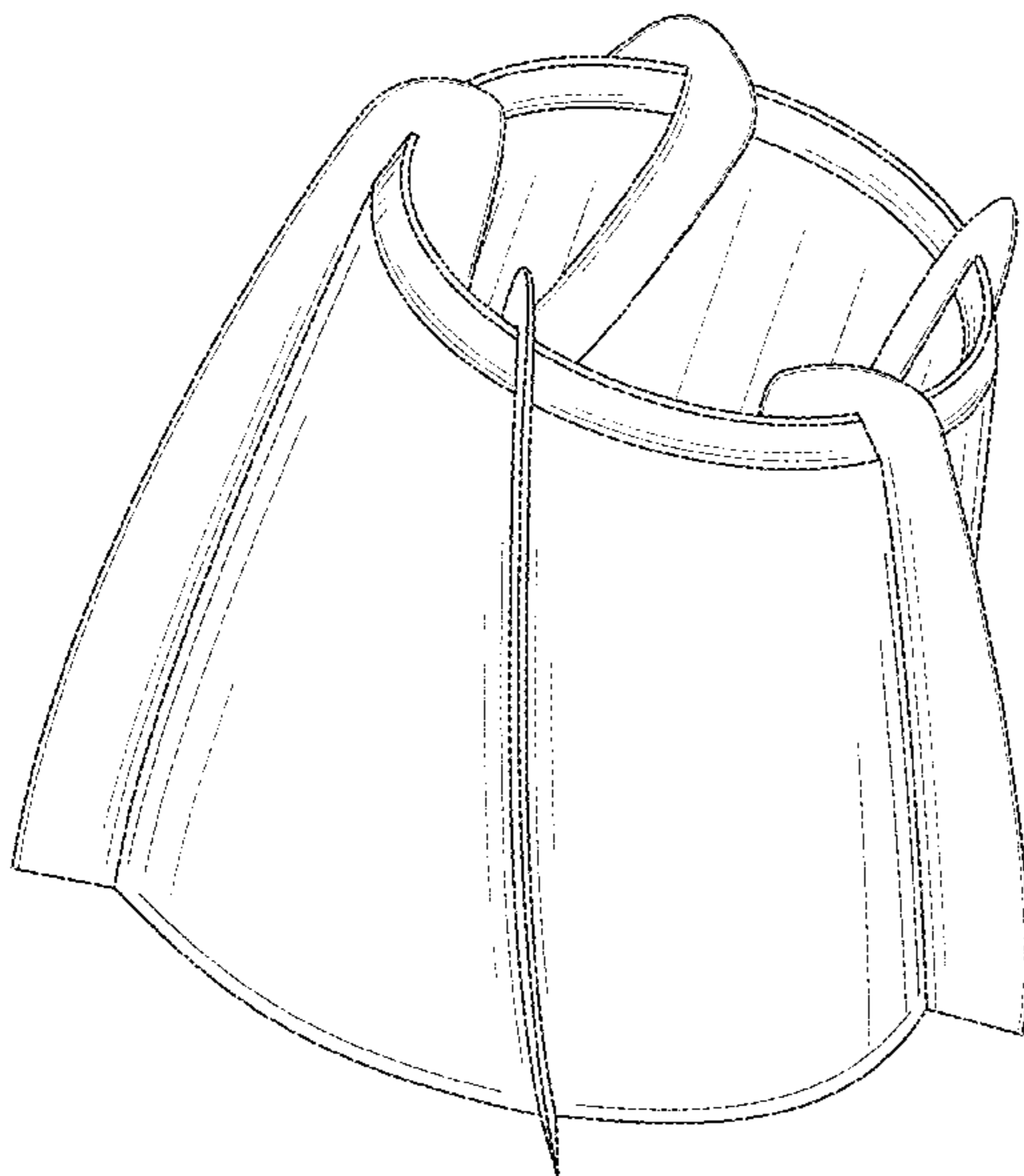
FIG. 6 is a bottom plan view thereof;

FIG. 7 is a left-side elevational view thereof;

FIG. 8 is a right-side elevational view thereof; and,

FIG. 9 is a rear perspective view thereof.

1 Claim, 9 Drawing Sheets



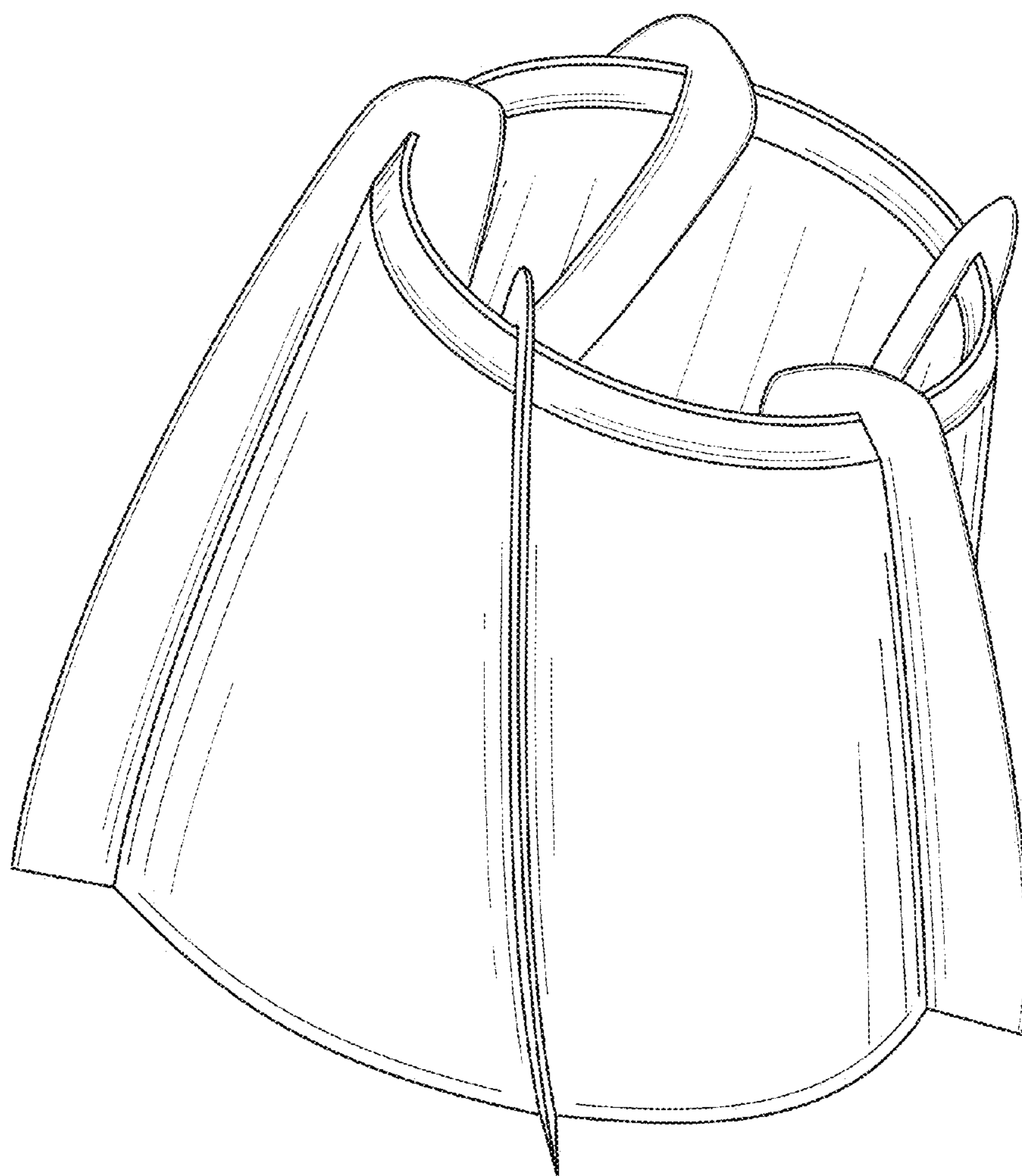


FIG. 1

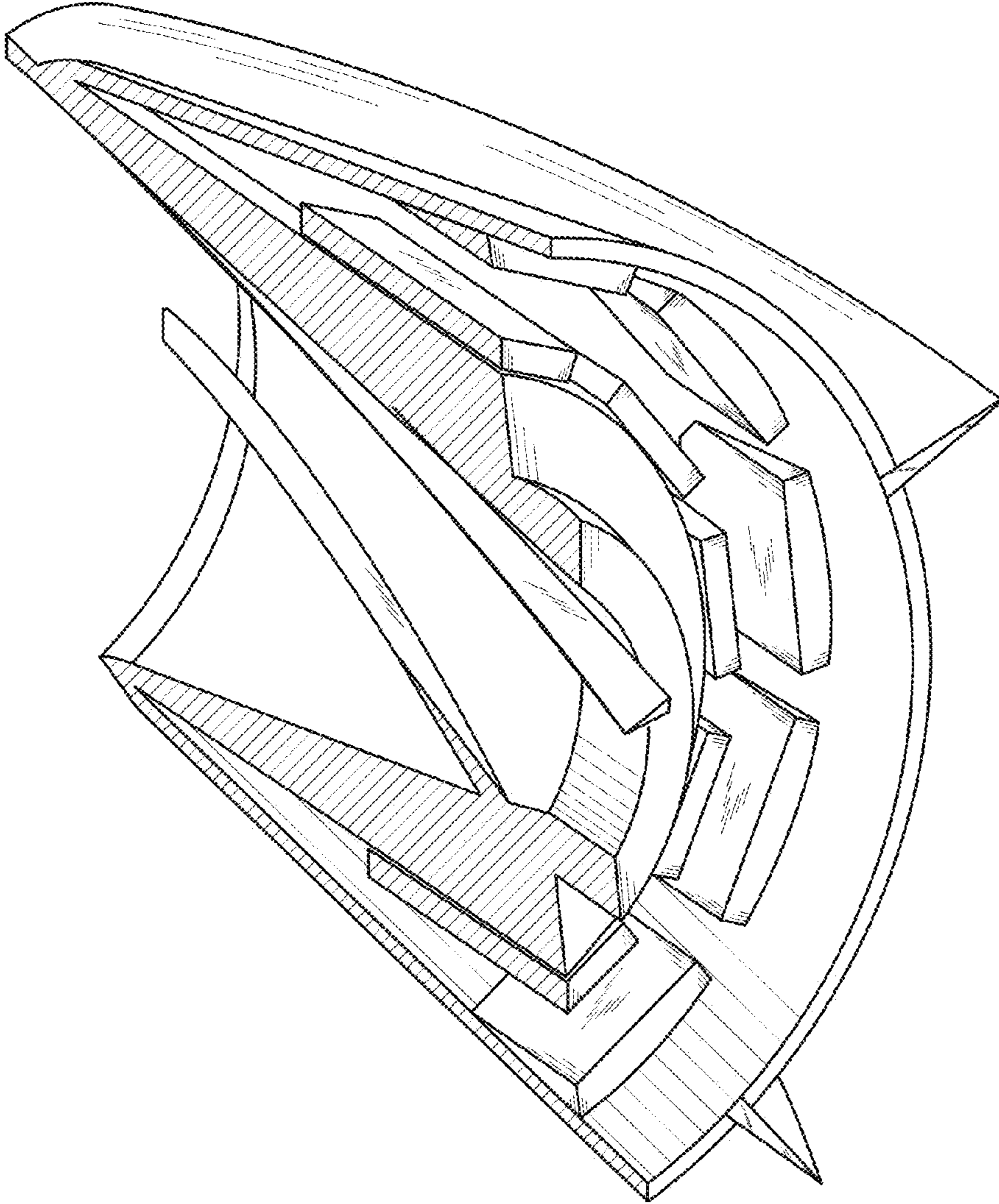


FIG. 2

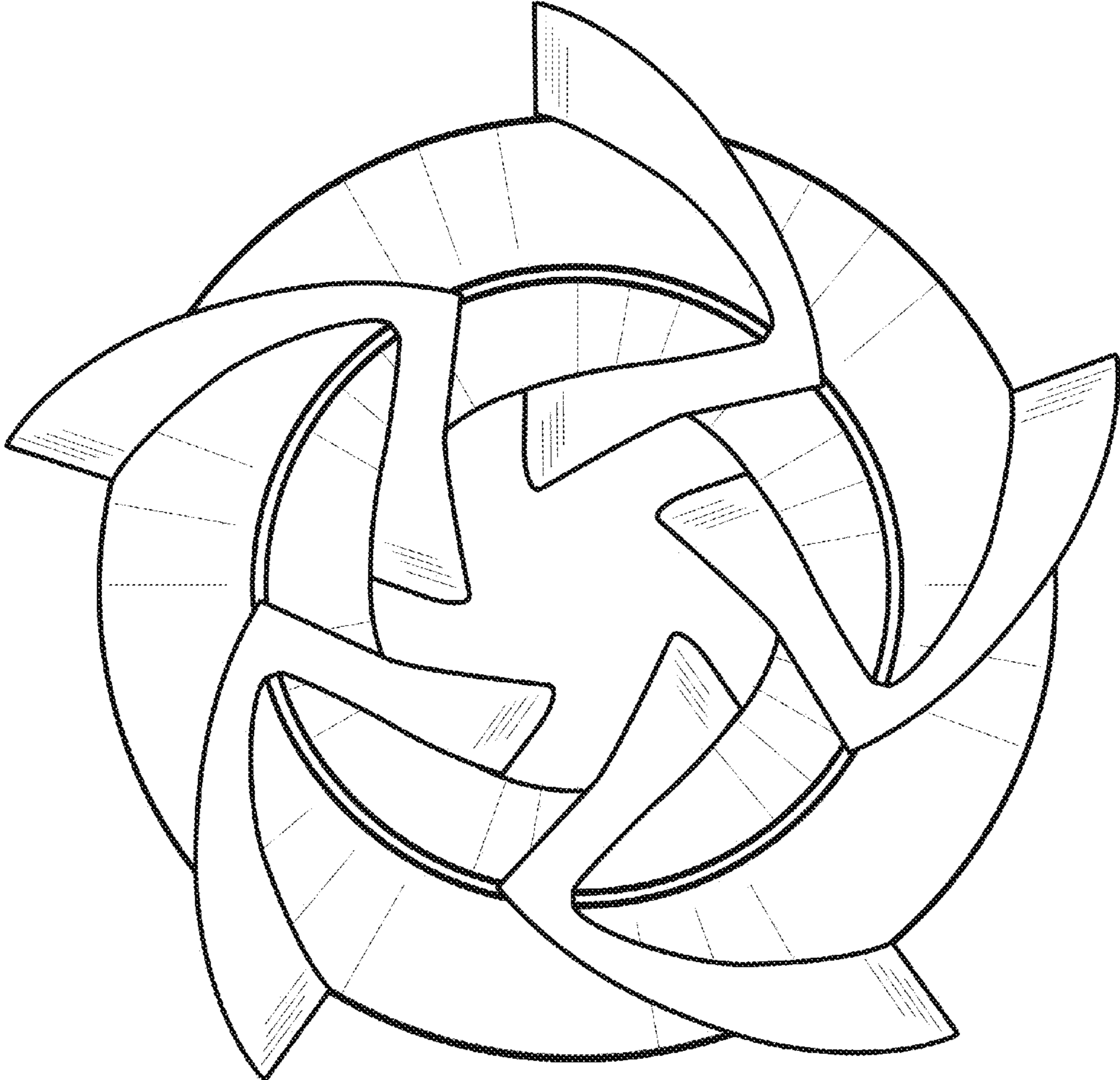


FIG. 3

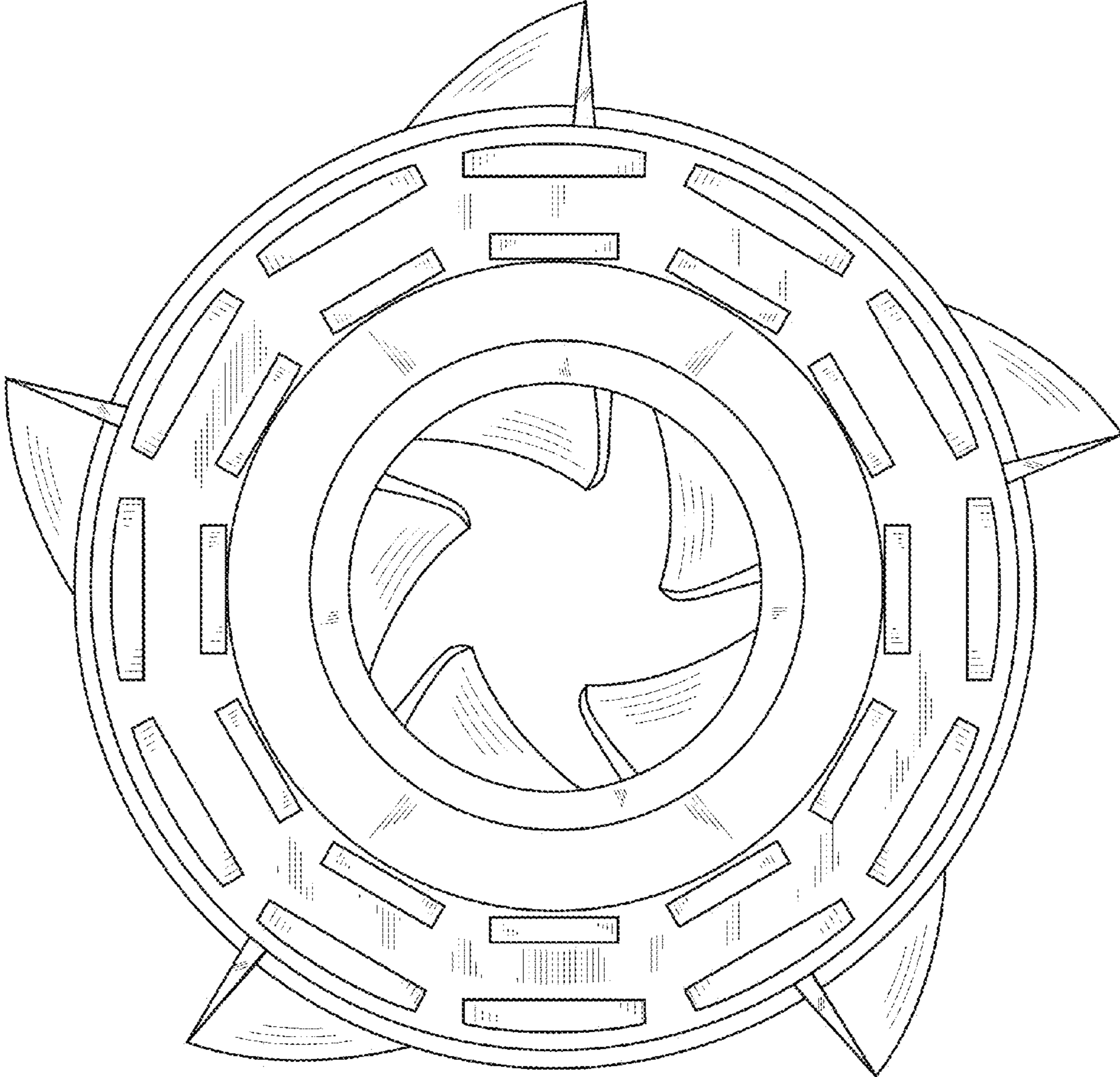


FIG. 4

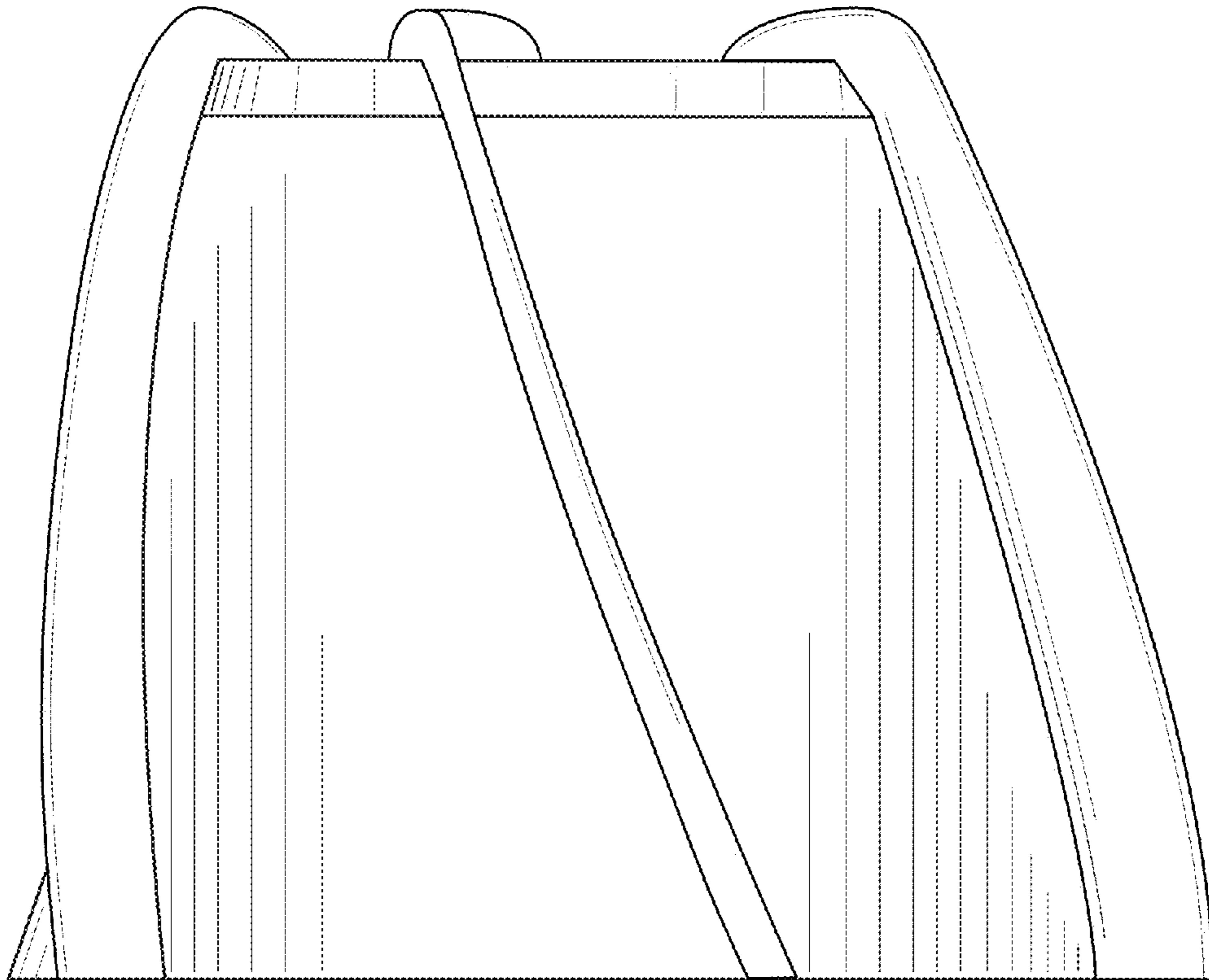


FIG. 5

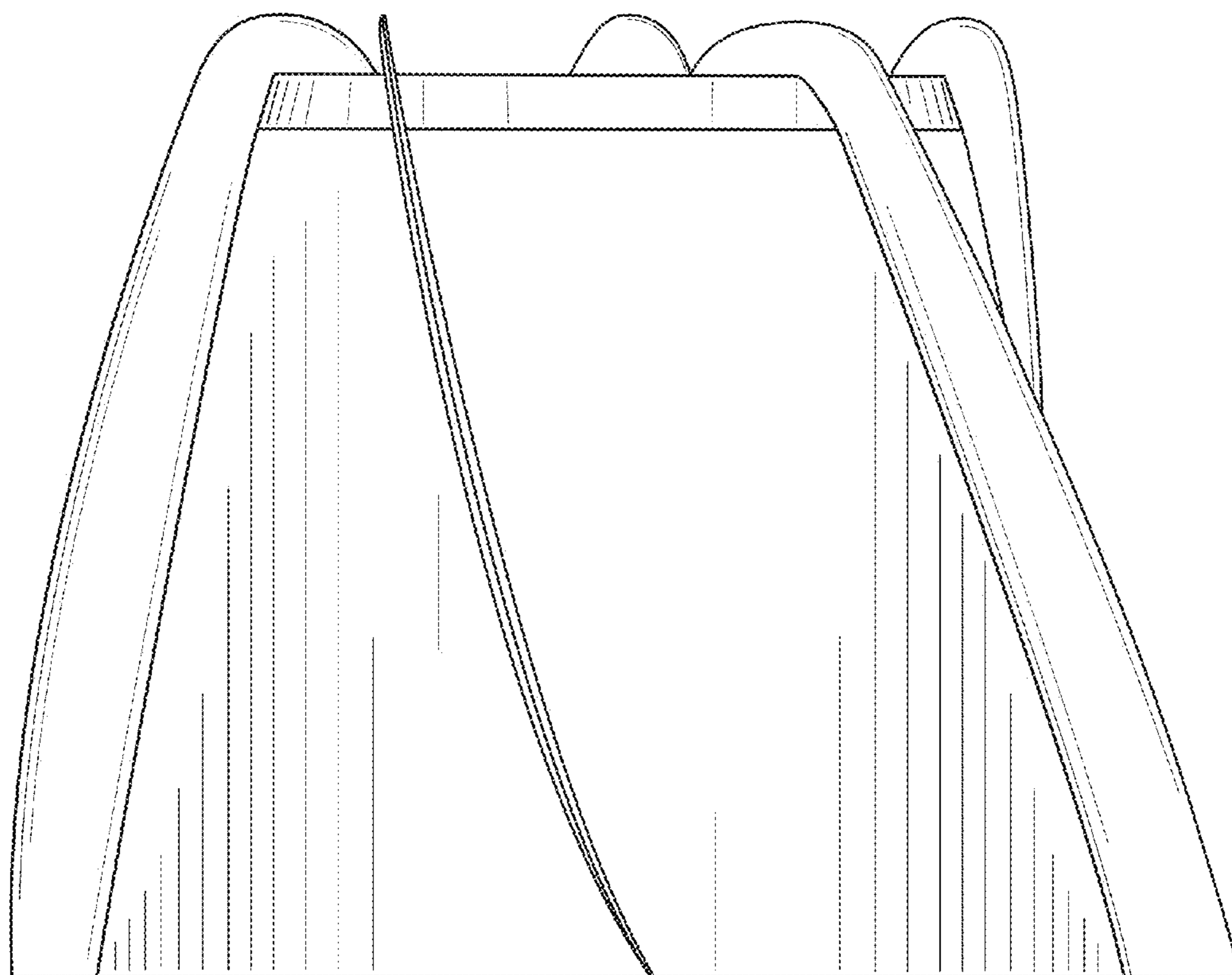


FIG. 6

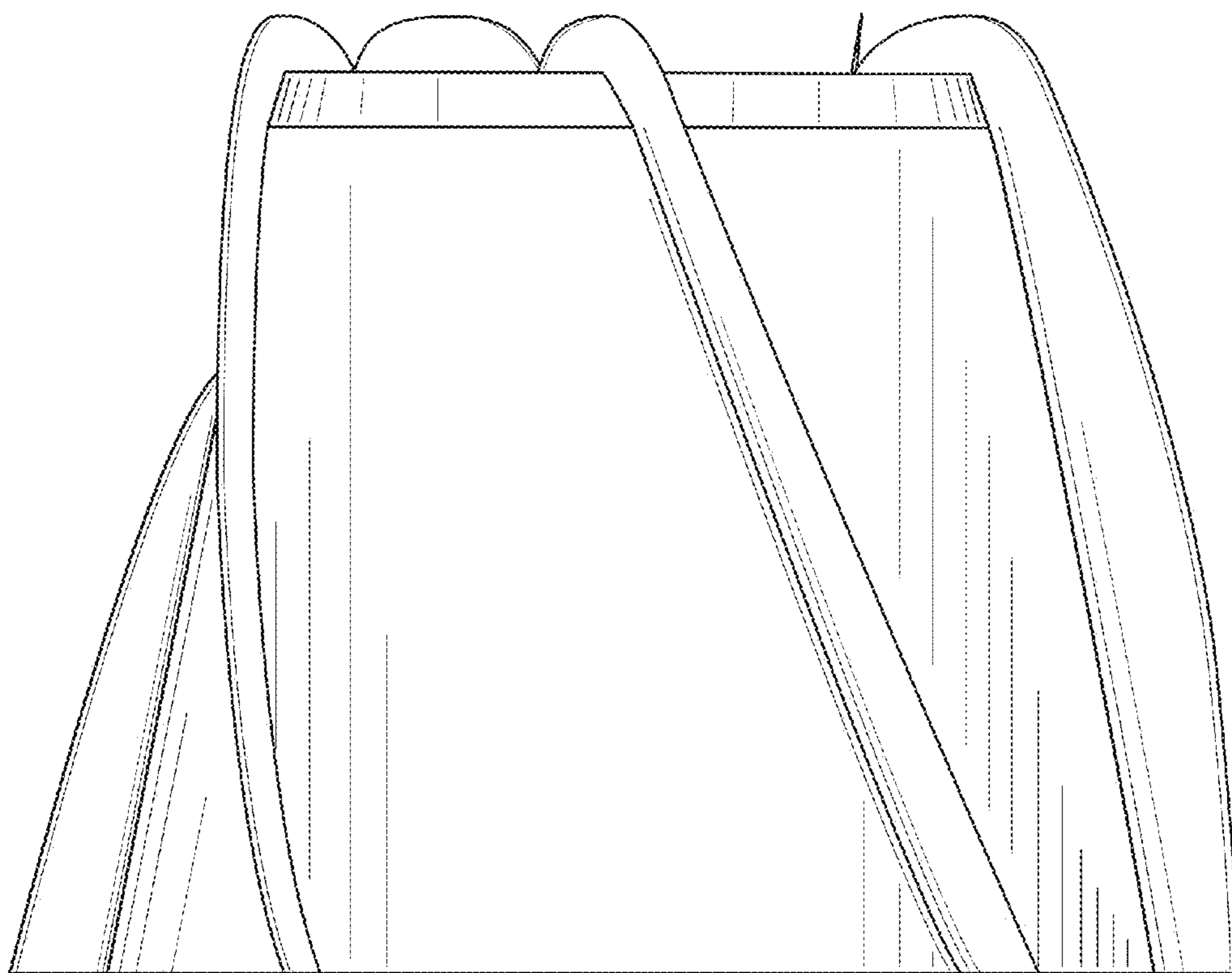


FIG. 7

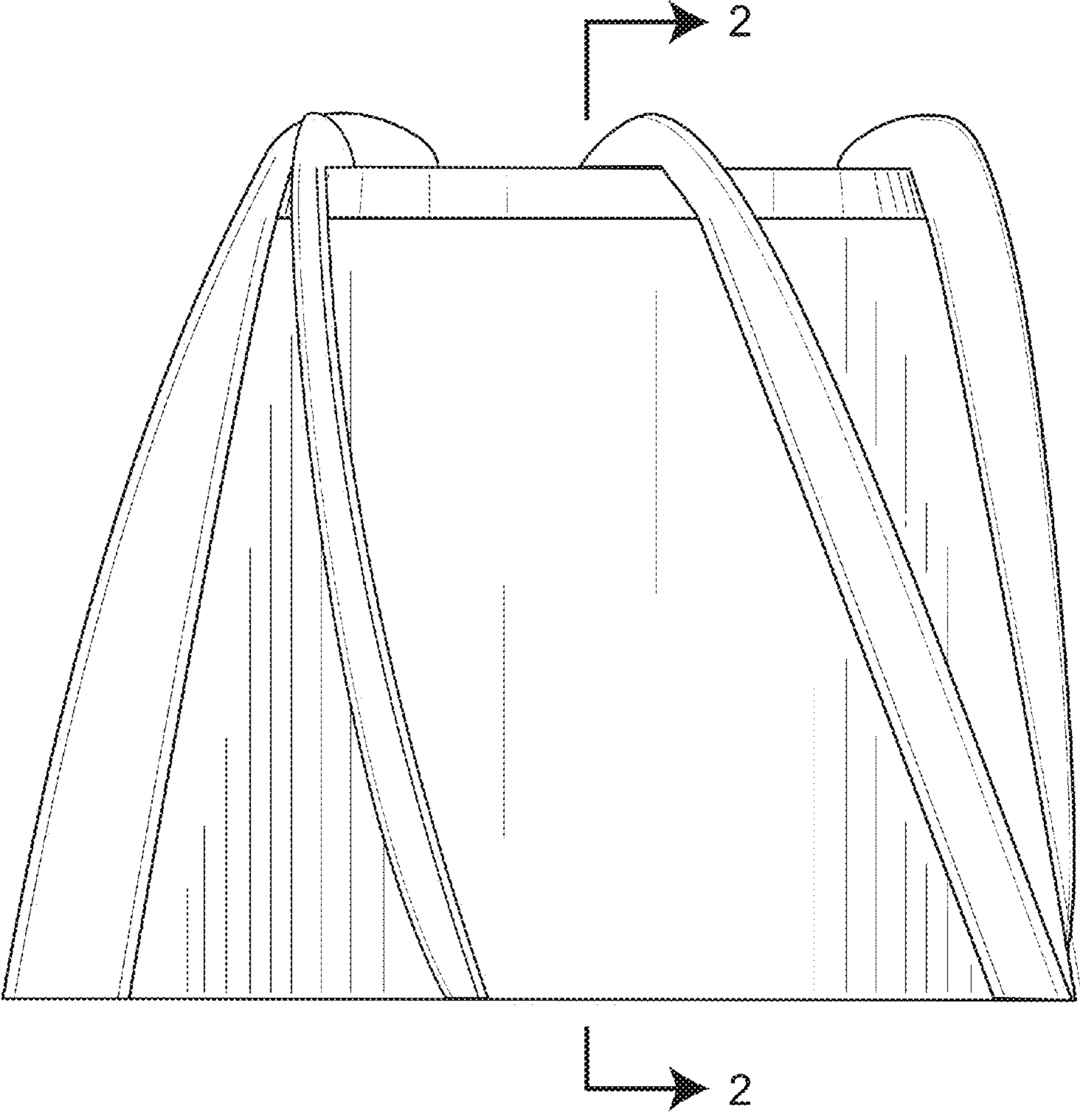


FIG. 8

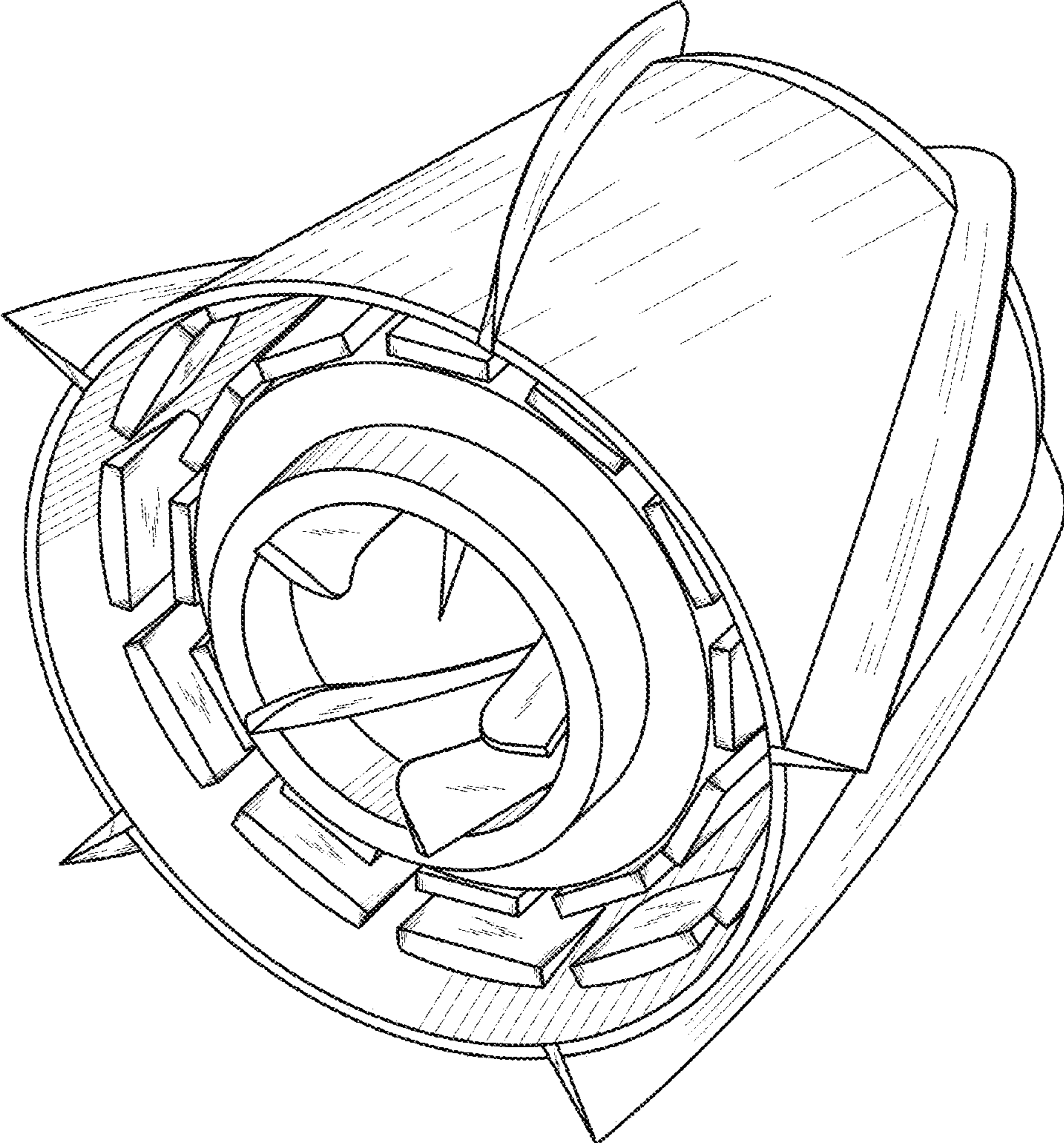


FIG. 9