



US00D715736S

(12) **United States Design Patent**  
**Gong et al.**

(10) **Patent No.:** **US D715,736 S**

(45) **Date of Patent:** **\*\* Oct. 21, 2014**

(54) **ELECTRIC POWER GENERATING DEVICE**

(56) **References Cited**

(71) Applicant: **Shenzhen Zhiyou Battery Integration Technology Co., Ltd**, Shenzhen (CN)

U.S. PATENT DOCUMENTS

(72) Inventors: **Shugang Gong**, Shenzhen (CN); **Yulin Sun**, Shenzhen (CN); **Yun Chen**, Shenzhen (CN); **Shaorong Lin**, Shenzhen (CN); **Yuanzhe Huang**, Shenzhen (CN)

4,634,343	A	*	1/1987	Nakamats	.....	416/3
5,731,676	A	*	3/1998	Nakamats	.....	318/471
D511,323	S	*	11/2005	Kato et al.	.....	D13/115
D511,495	S	*	11/2005	Okubo et al.	.....	D13/115
D515,521	S	*	2/2006	Stewart et al.	.....	D13/184
D589,879	S	*	4/2009	Yokota	.....	D13/112
D641,699	S	*	7/2011	Sayama et al.	.....	D13/115
D647,477	S	*	10/2011	Lin	.....	D13/115
D681,552	S	*	5/2013	Bentley	.....	D13/112

(73) Assignee: **Shenzhen Zhiyou Battery Integration Technology Co., Ltd**, Shenzhen (CN)

\* cited by examiner

(\*\*) Term: **14 Years**

*Primary Examiner* — Derrick Holland

(21) Appl. No.: **29/462,807**

(74) *Attorney, Agent, or Firm* — Hamre, Schumann, Mueller & Larson, P.C.

(22) Filed: **Aug. 8, 2013**

(57) **CLAIM**

The ornamental design for an “electric power generating device,” as shown and described.

(30) **Foreign Application Priority Data**

**DESCRIPTION**

Jul. 10, 2013 (CN) ..... 2013 3 0320186

FIG. 1 is a perspective view of the electric power generating device;

(51) **LOC (10) Cl.** ..... **13-01**

FIG. 2 is a front view of the electric power generating device;

(52) **U.S. Cl.**  
USPC ..... **D13/112; D13/115**

FIG. 3 is a rear view of the electric power generating device;

(58) **Field of Classification Search**  
USPC ..... D13/112, 101, 102, 114, 115, 118, 122, D13/184, 199; D12/344, 345; 310/12.04, 310/12.12, 12.27, 306; 318/119, 471; 415/12, 13, 191, 208.1, 209.4, 916; 416/37, 38, 47, 48, 79, 120

FIG. 4 is a left side view of the electric power generating device;

FIG. 5 is a right side view of the electric power generating device;

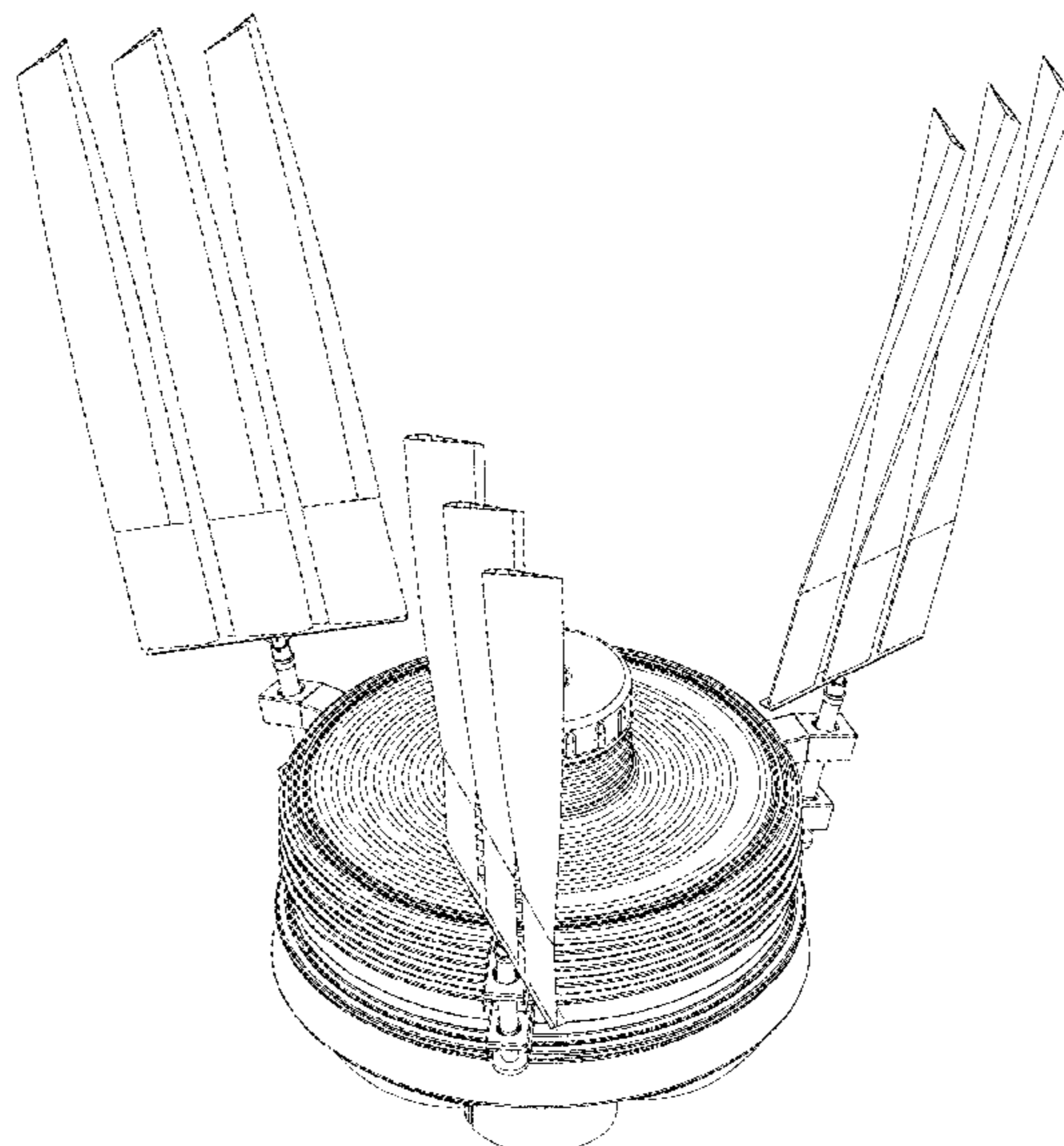
FIG. 6 is a top view of the electric power generating device; and,

FIG. 7 is a bottom view of the electric power generating device.

The broken lines shown represent unclaimed subject matter and form no part of the claimed design.

See application file for complete search history.

**1 Claim, 7 Drawing Sheets**



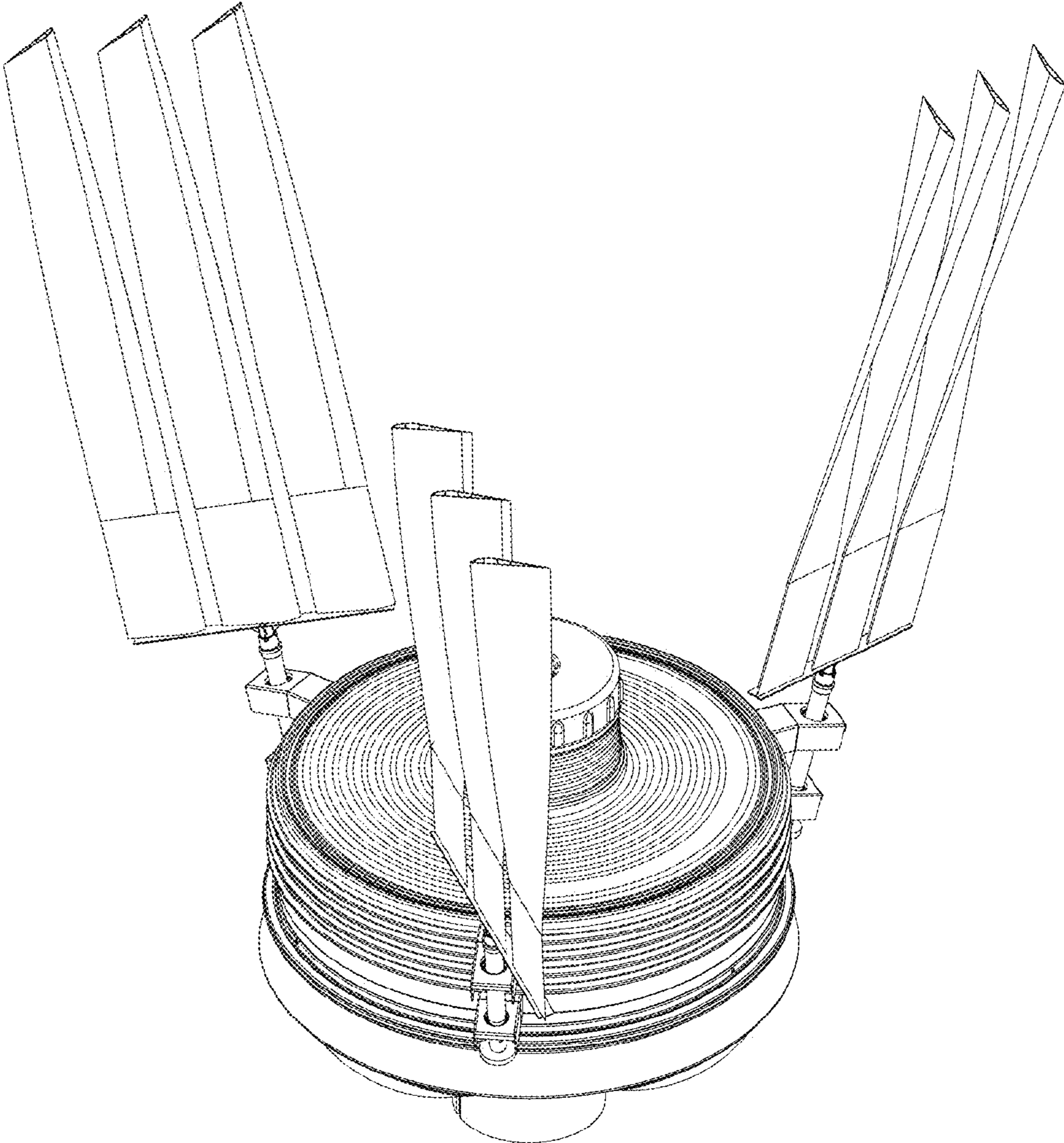


FIG.1

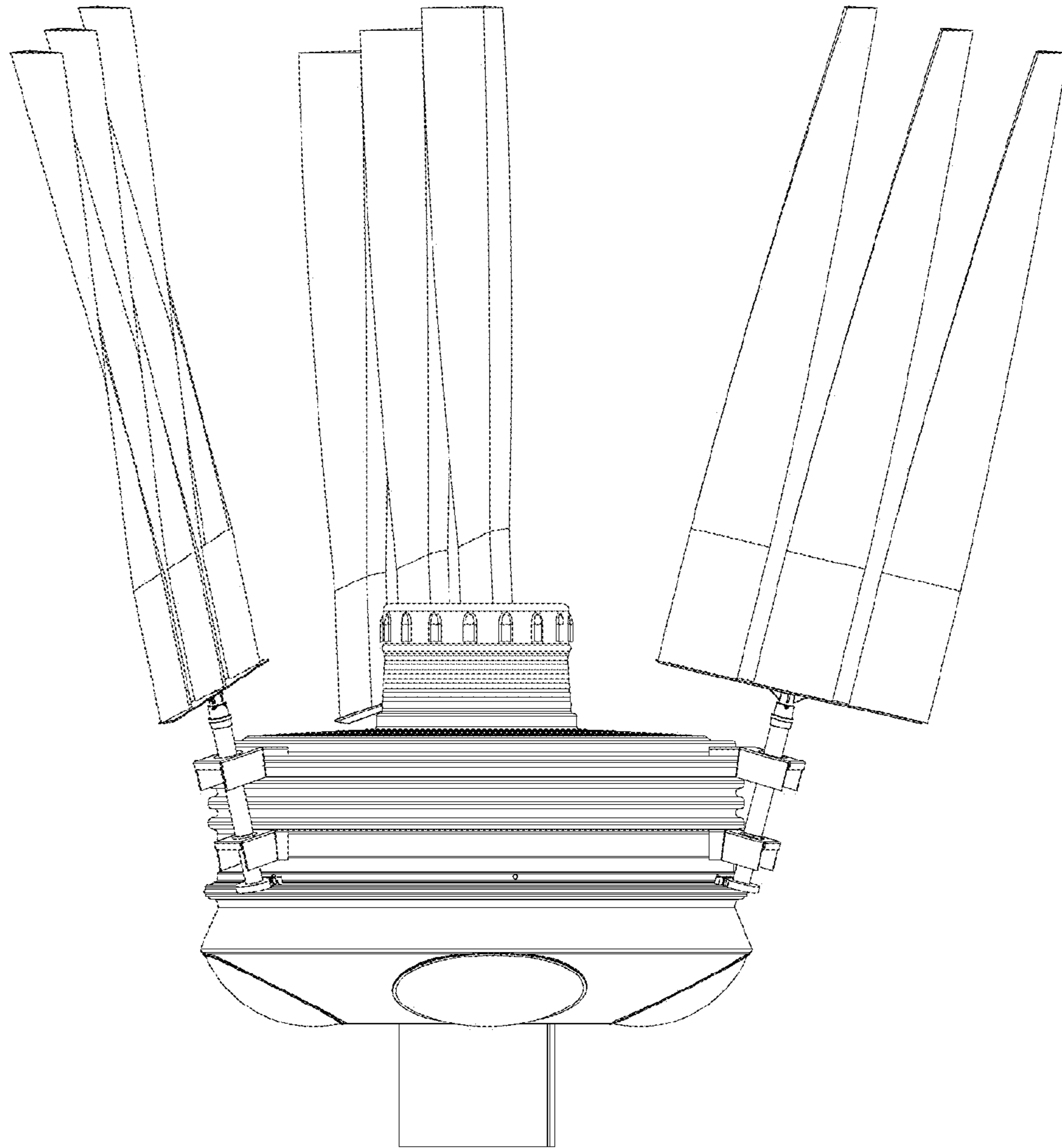


FIG.2

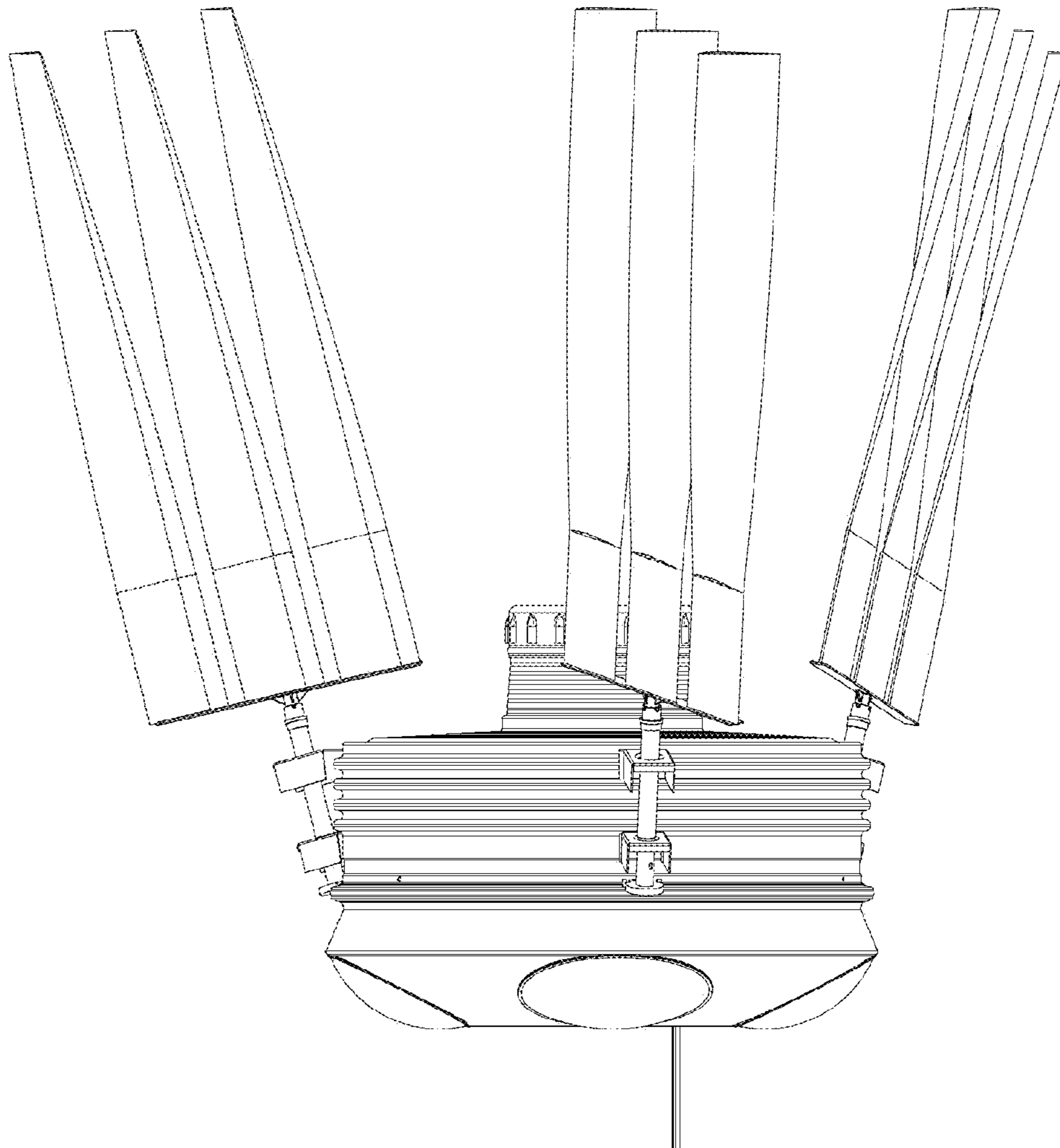


FIG.3

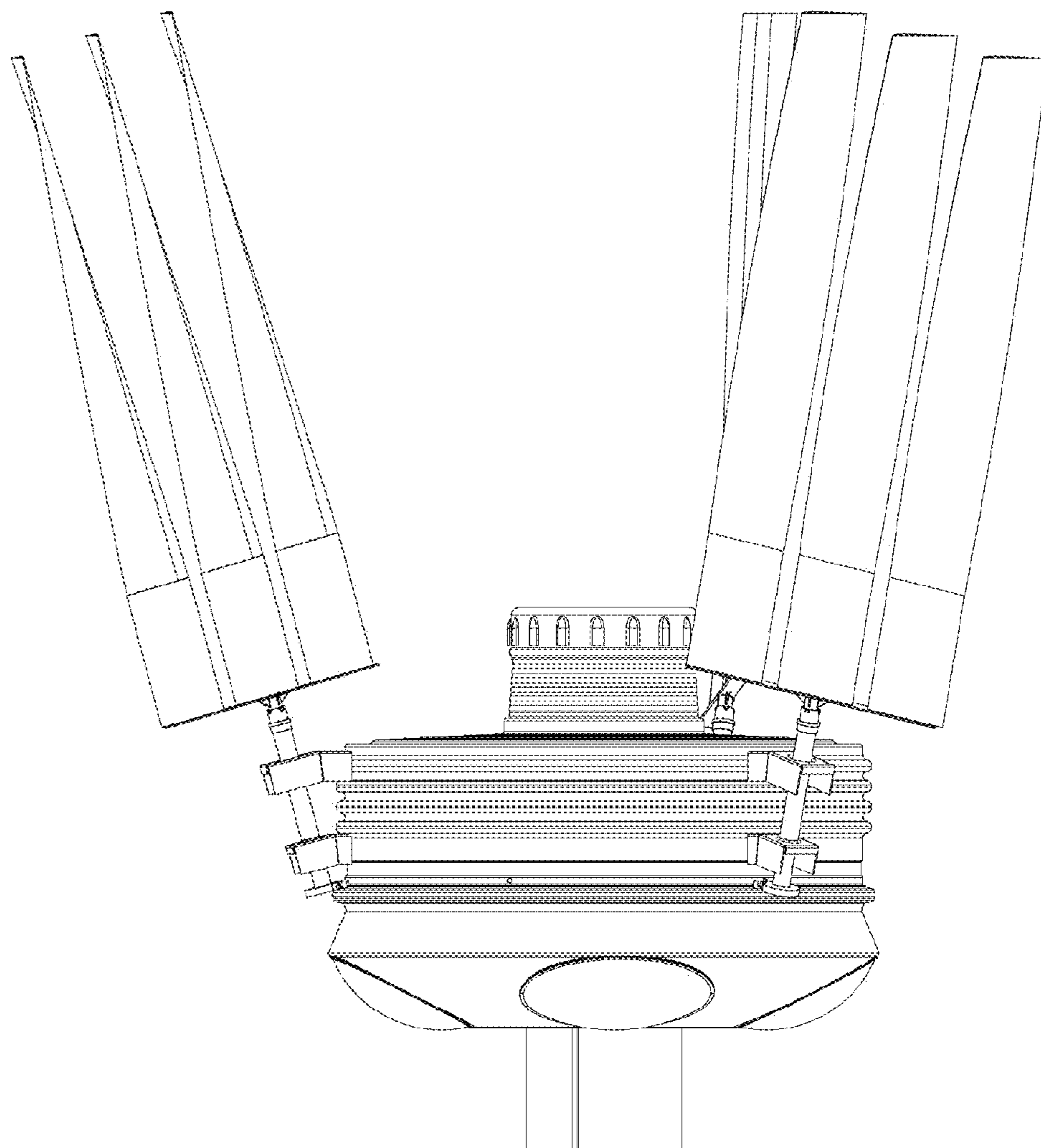


FIG.4

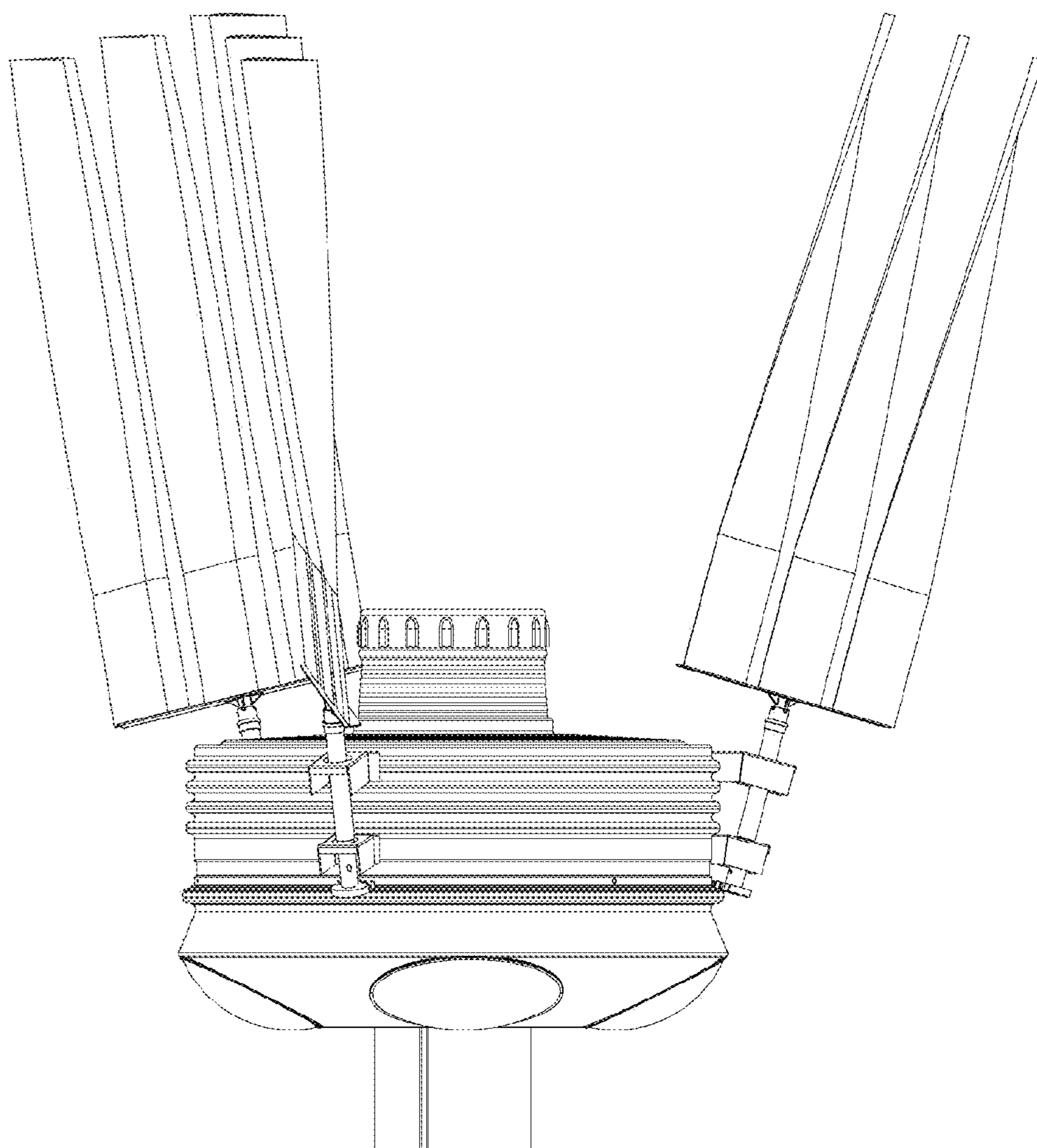


FIG.5

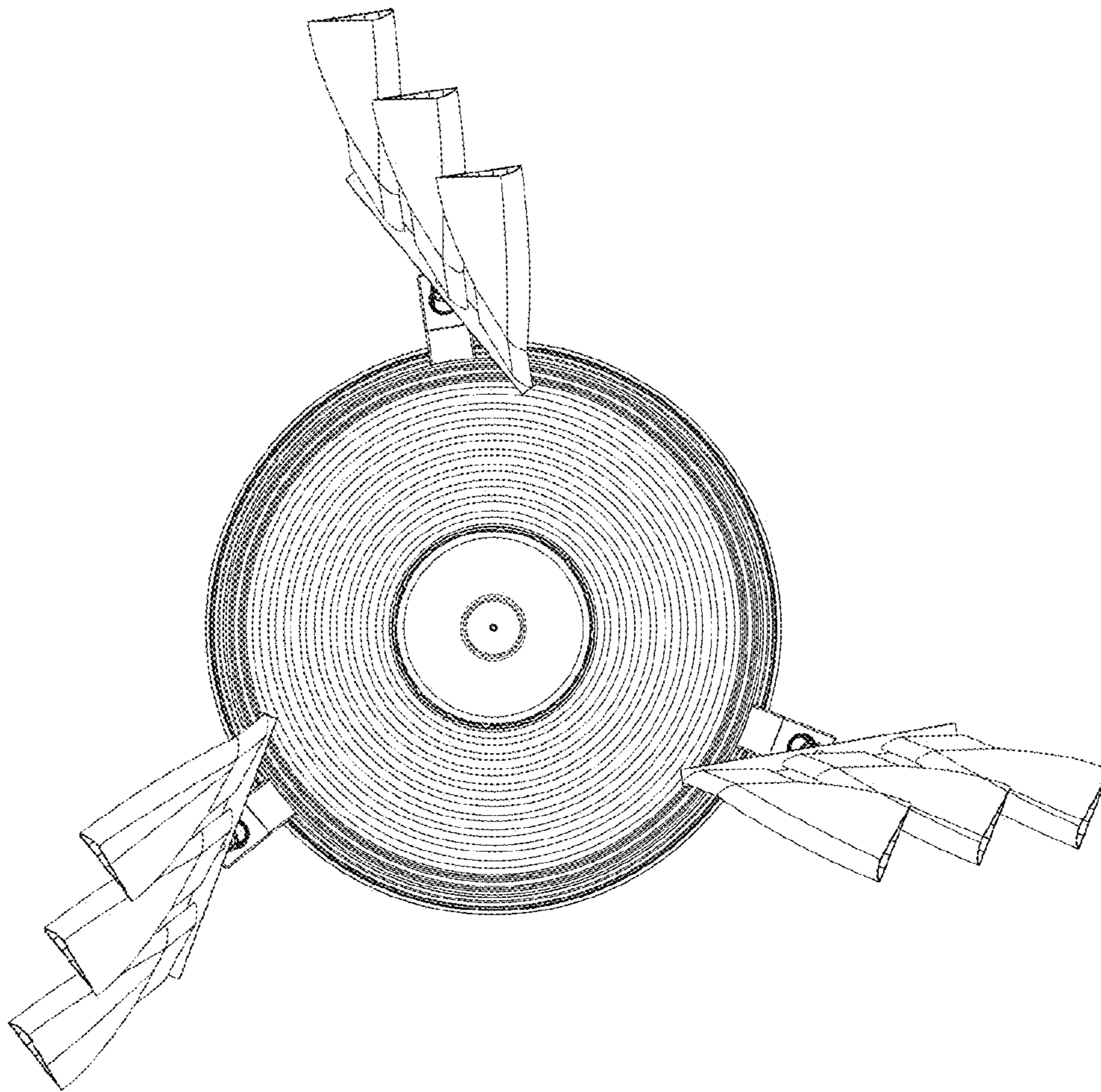


FIG.6

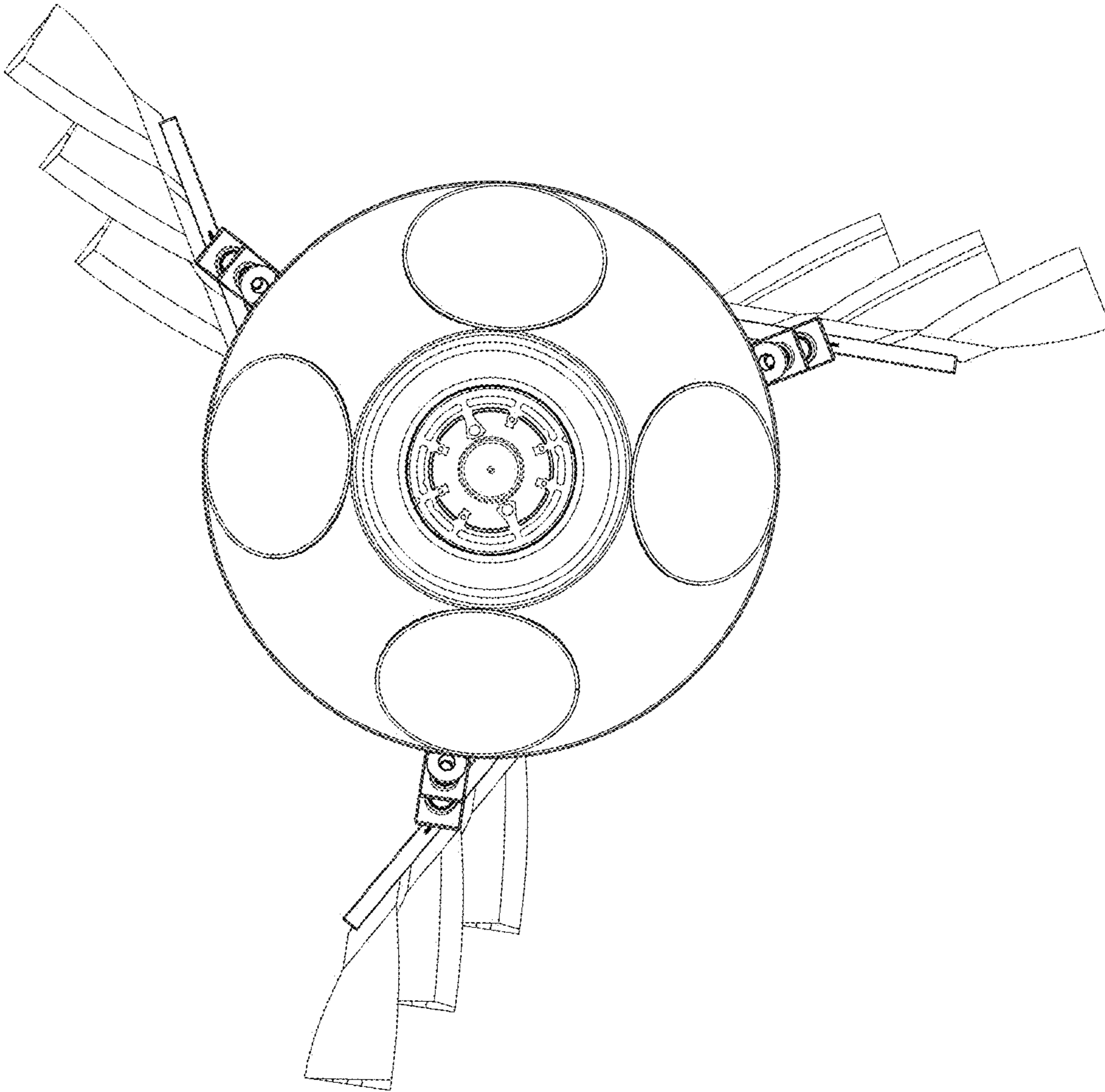


FIG.7