



US00D715735S

(12) **United States Design Patent**
Levy

(10) **Patent No.:** **US D715,735 S**
(45) **Date of Patent:** **** Oct. 21, 2014**

(54) **COMPACT CHARGER**

(71) Applicant: **Navajo Manufacturing Co., Inc.**,
Denver, CO (US)

(72) Inventor: **Gordon Levy**, Golden, CO (US)

(73) Assignee: **Navajo Manufacturing Company, Inc.**,
Denver, CO (US)

(**) Term: **14 Years**

(21) Appl. No.: **29/469,253**

(22) Filed: **Oct. 8, 2013**

(51) **LOC (10) Cl.** **13-02**

(52) **U.S. Cl.**
USPC **D13/110; D13/108; D13/144**

(58) **Field of Classification Search**
USPC D13/110, 107, 108, 123, 133, 137.1,
D13/138.1, 144, 199; 174/53, 54, 59, 61;
307/150, 151; 320/111, 114; 363/132,
363/140, 142, 143, 146; 439/105, 131, 166,
439/171-173, 218, 518, 692, 956;
D14/240, 251, 253, 432, 433, 434
See application file for complete search history.

(56) **References Cited**

U.S. PATENT DOCUMENTS

4,701,741	A *	10/1987	Bert	340/449
5,613,863	A *	3/1997	Klaus et al.	439/131
5,684,689	A *	11/1997	Hahn	363/146
5,847,545	A *	12/1998	Chen et al.	320/138
6,086,395	A *	7/2000	Lloyd et al.	439/172

6,544,051	B1 *	4/2003	Su	439/131
D478,546	S *	8/2003	Andre et al.	D13/110
D503,679	S *	4/2005	Andre et al.	D13/110
D519,922	S *	5/2006	Andre et al.	D13/110
D543,940	S *	6/2007	Hussaini et al.	D13/144
D574,833	S *	8/2008	Hussaini et al.	D14/432
D593,031	S *	5/2009	Miyatake et al.	D13/110
D616,363	S *	5/2010	Weng	D13/107
D621,782	S *	8/2010	Chang et al.	D13/138.1
D628,152	S *	11/2010	Fujii et al.	D13/108
D636,725	S *	4/2011	Levy et al.	D13/108
D639,238	S *	6/2011	Serrano	D13/110

* cited by examiner

Primary Examiner — Derrick Holland

(74) *Attorney, Agent, or Firm* — Studebaker & Brackett PC

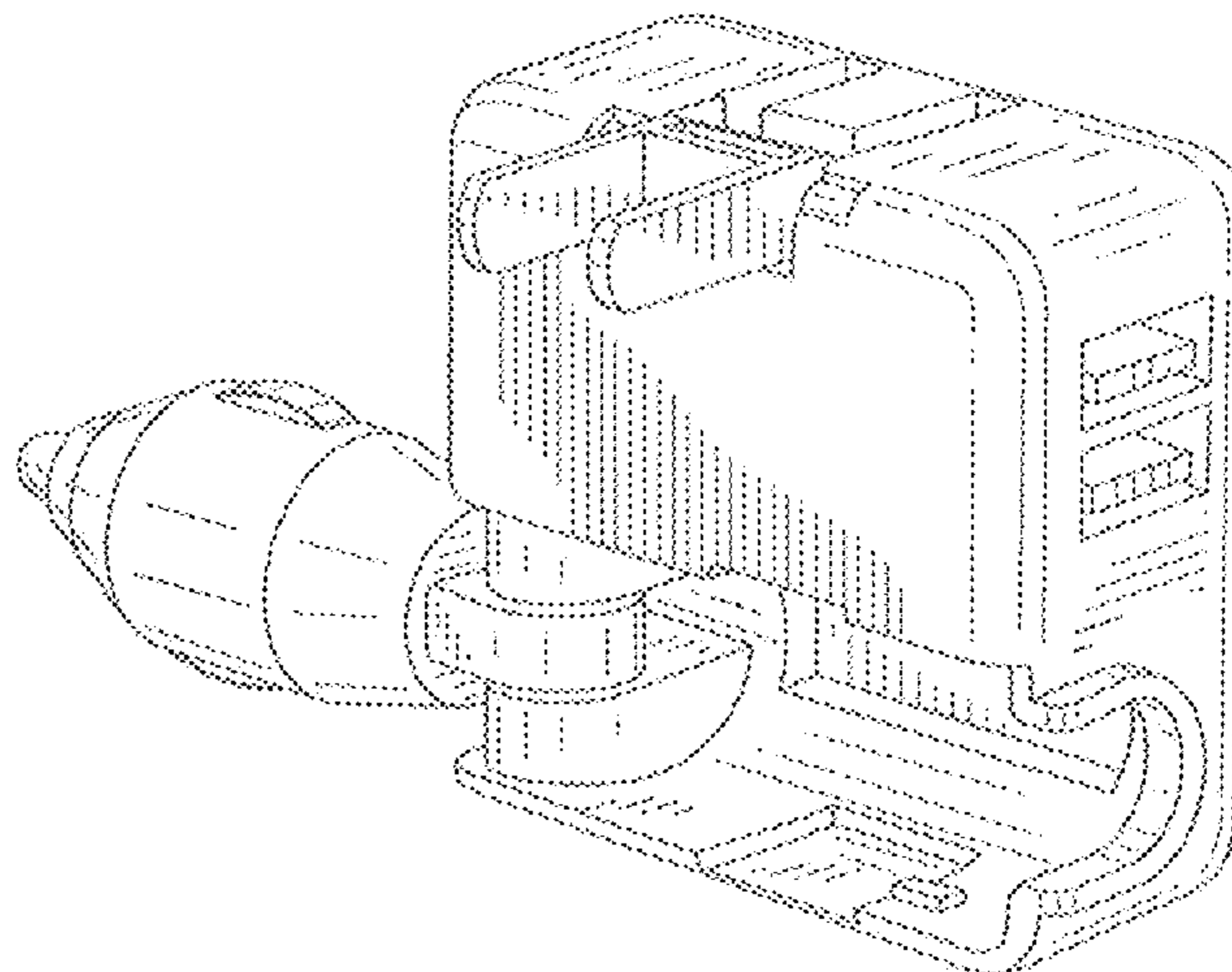
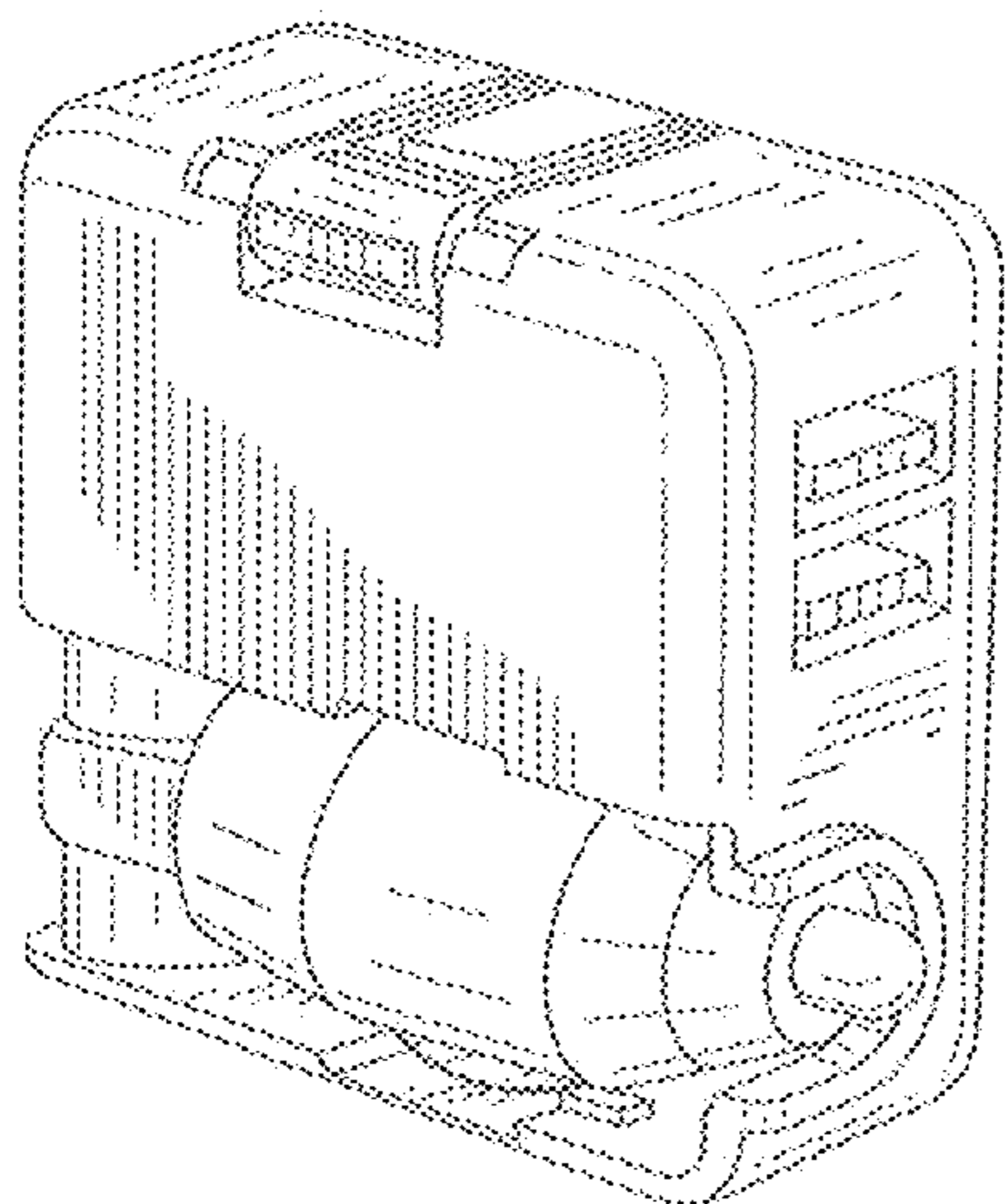
(57) **CLAIM**

The ornamental design for a compact charger, as shown and described.

DESCRIPTION

FIG. 1 is a perspective view showing my new design for a compact charger,
FIG. 2 is a front view thereof,
FIG. 3 is a rear view thereof,
FIG. 4 is a top view thereof,
FIG. 5 is a bottom view thereof,
FIG. 6 is a right side view thereof,
FIG. 7 is a left side view thereof; and,
FIG. 8 is a perspective view thereof, shown in an alternate positioning.

1 Claim, 5 Drawing Sheets



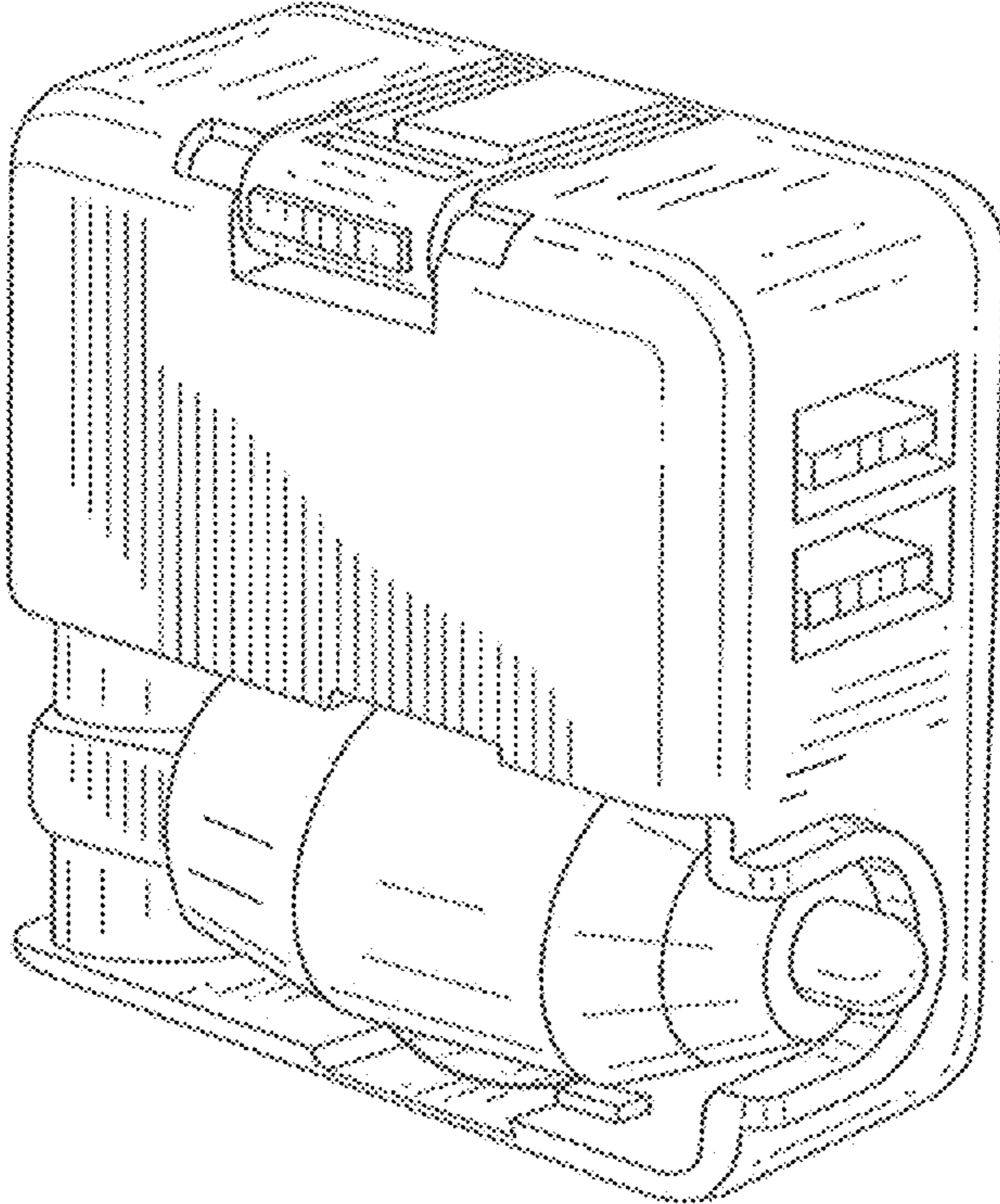


FIG. 1

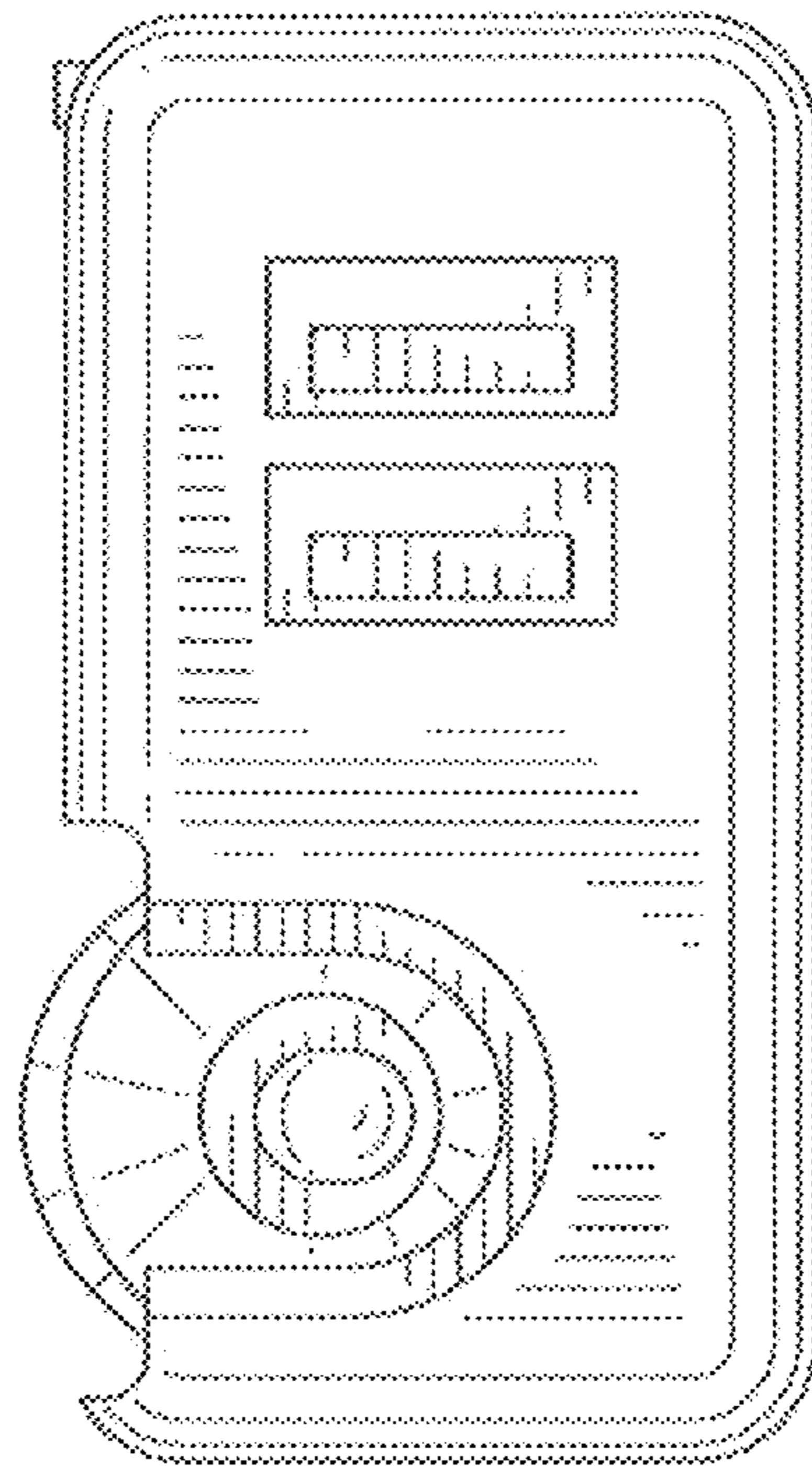


FIG. 2

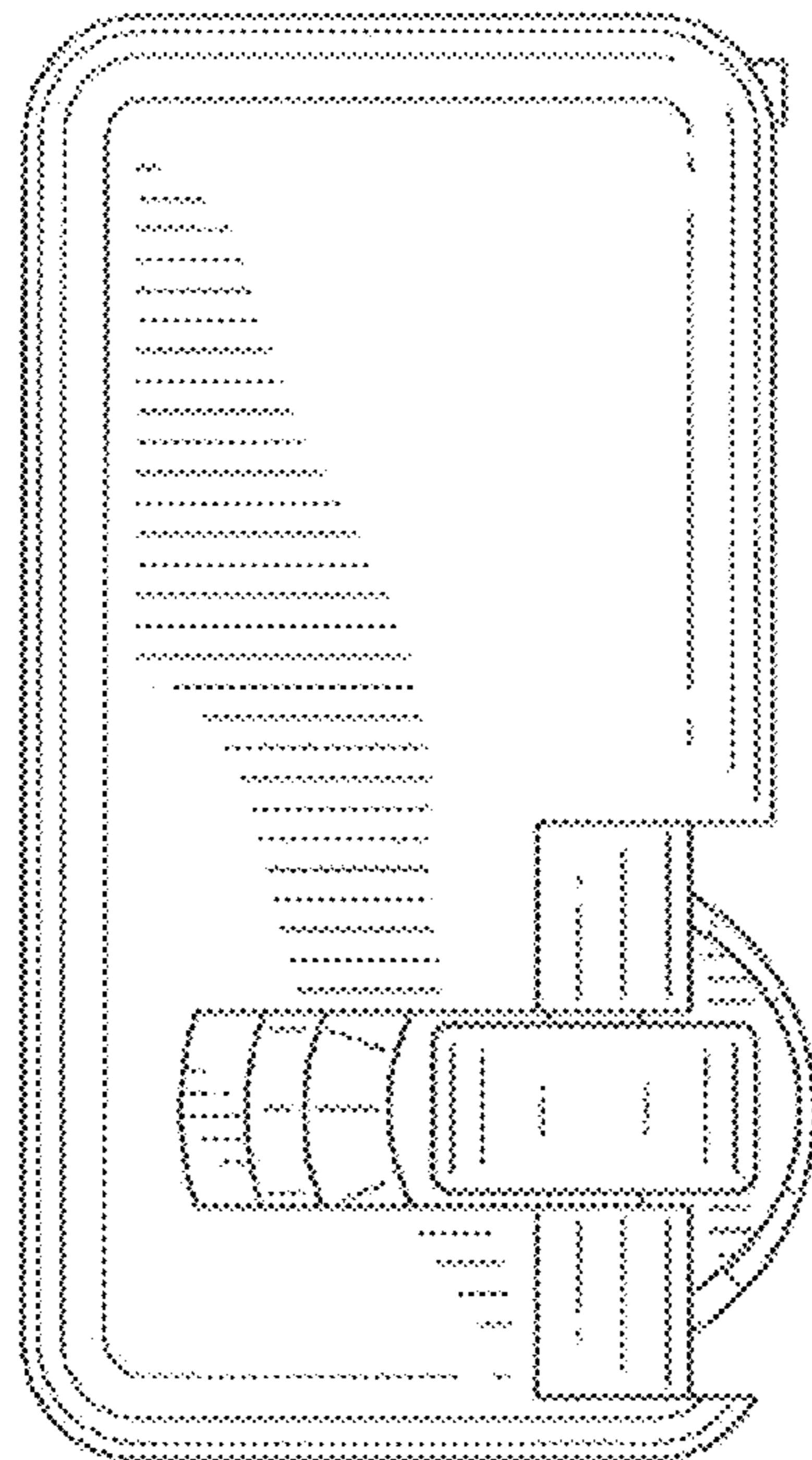


FIG. 3

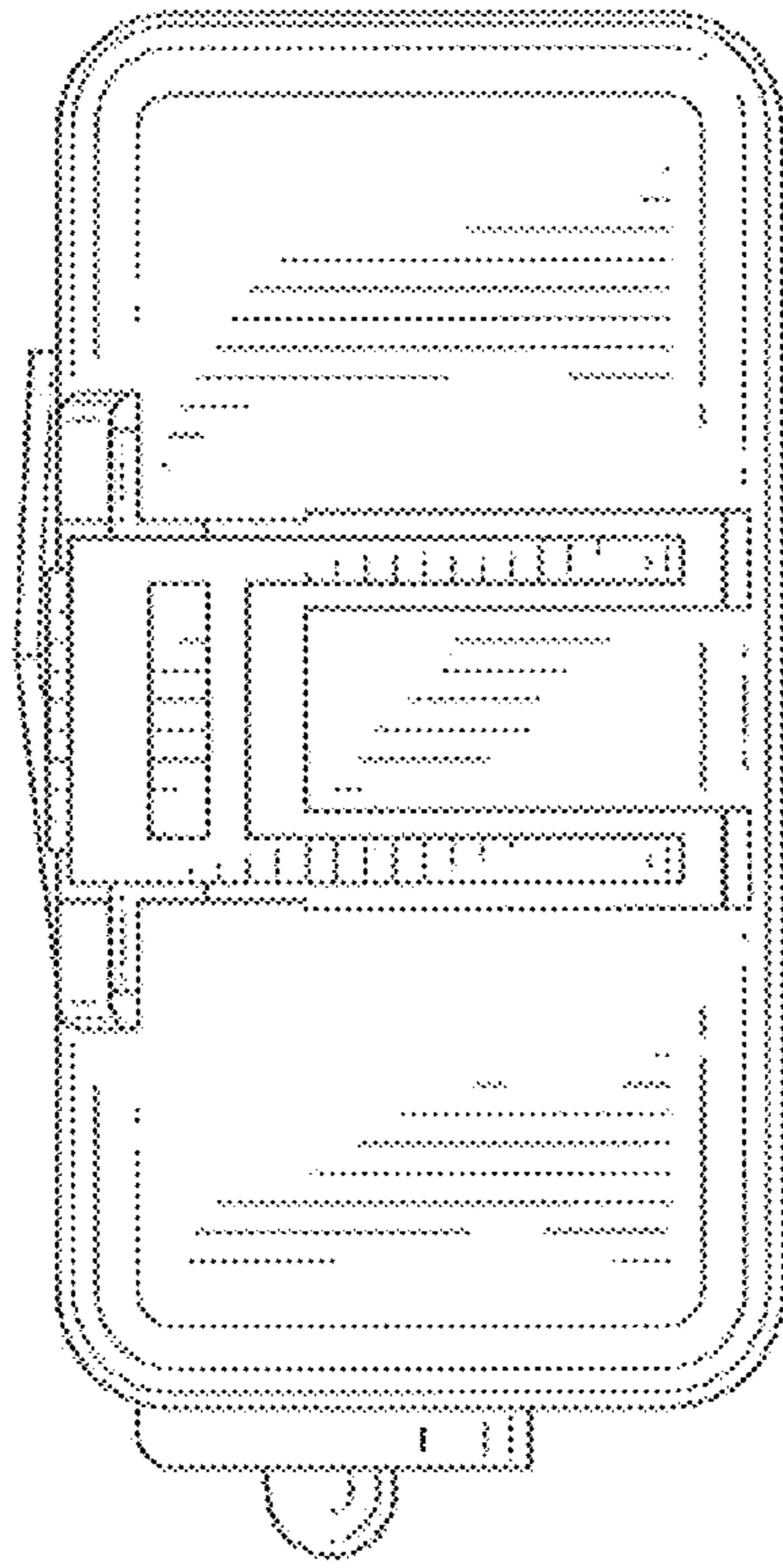


FIG. 4

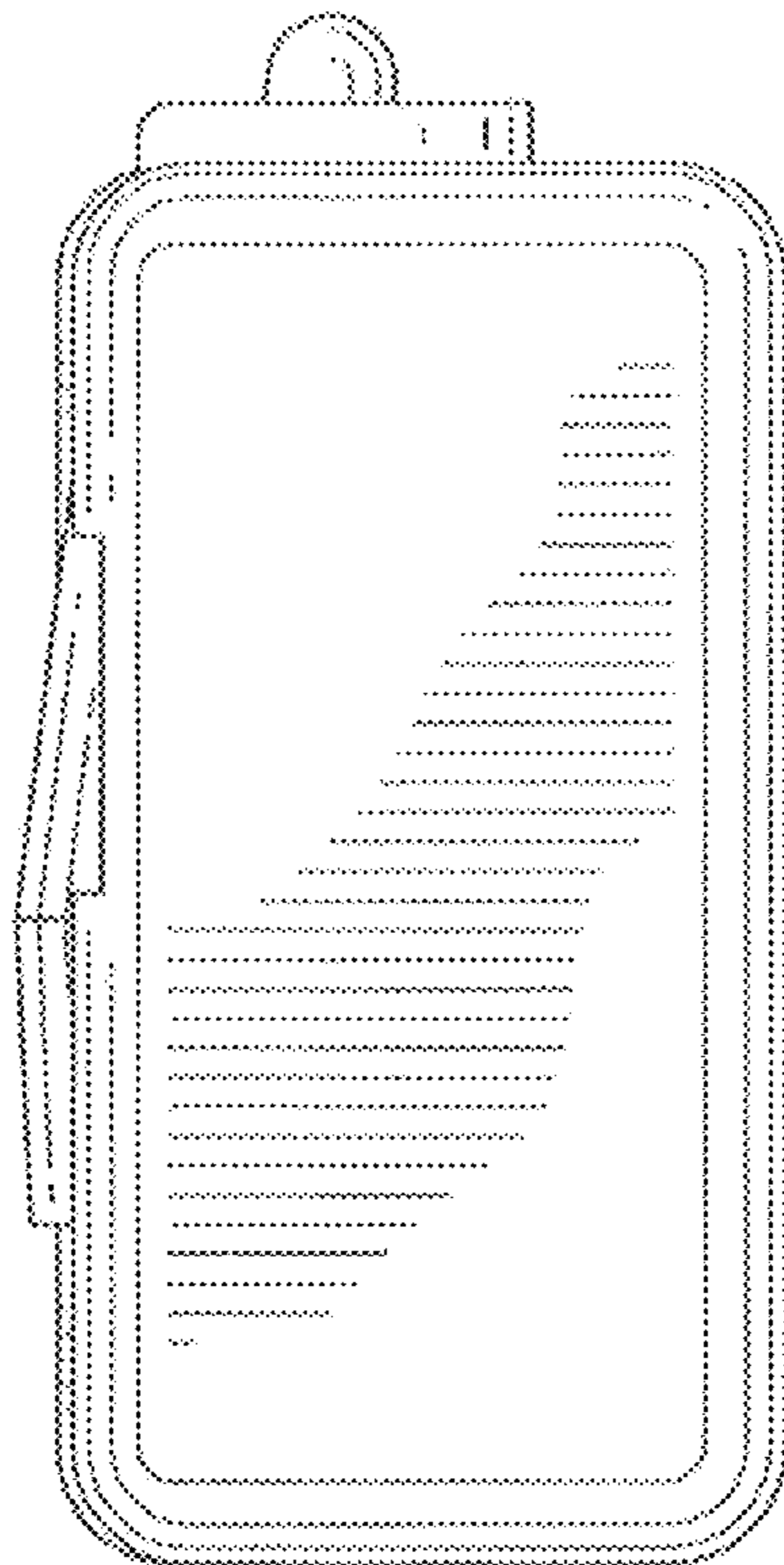


FIG. 5

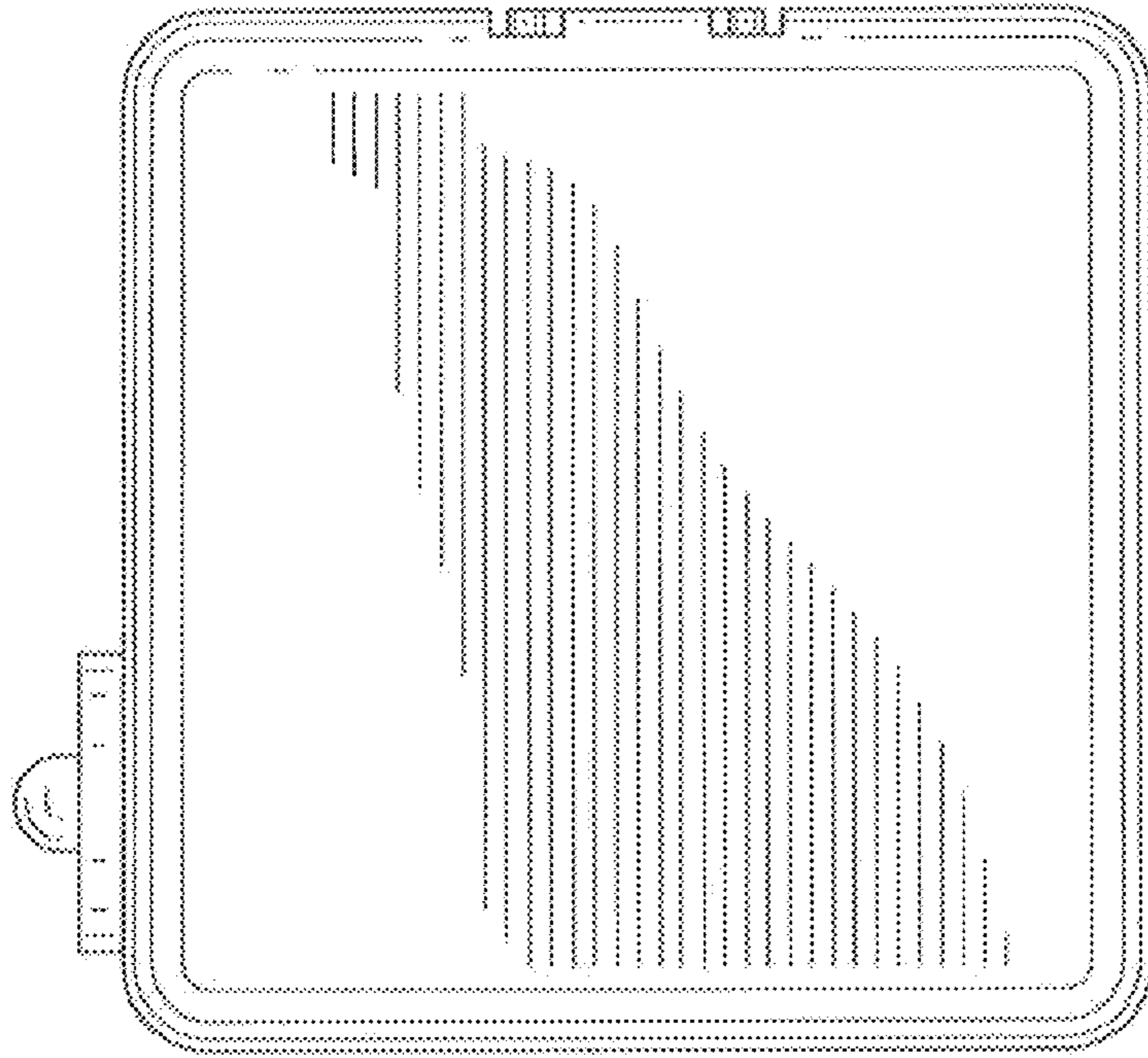


FIG. 6

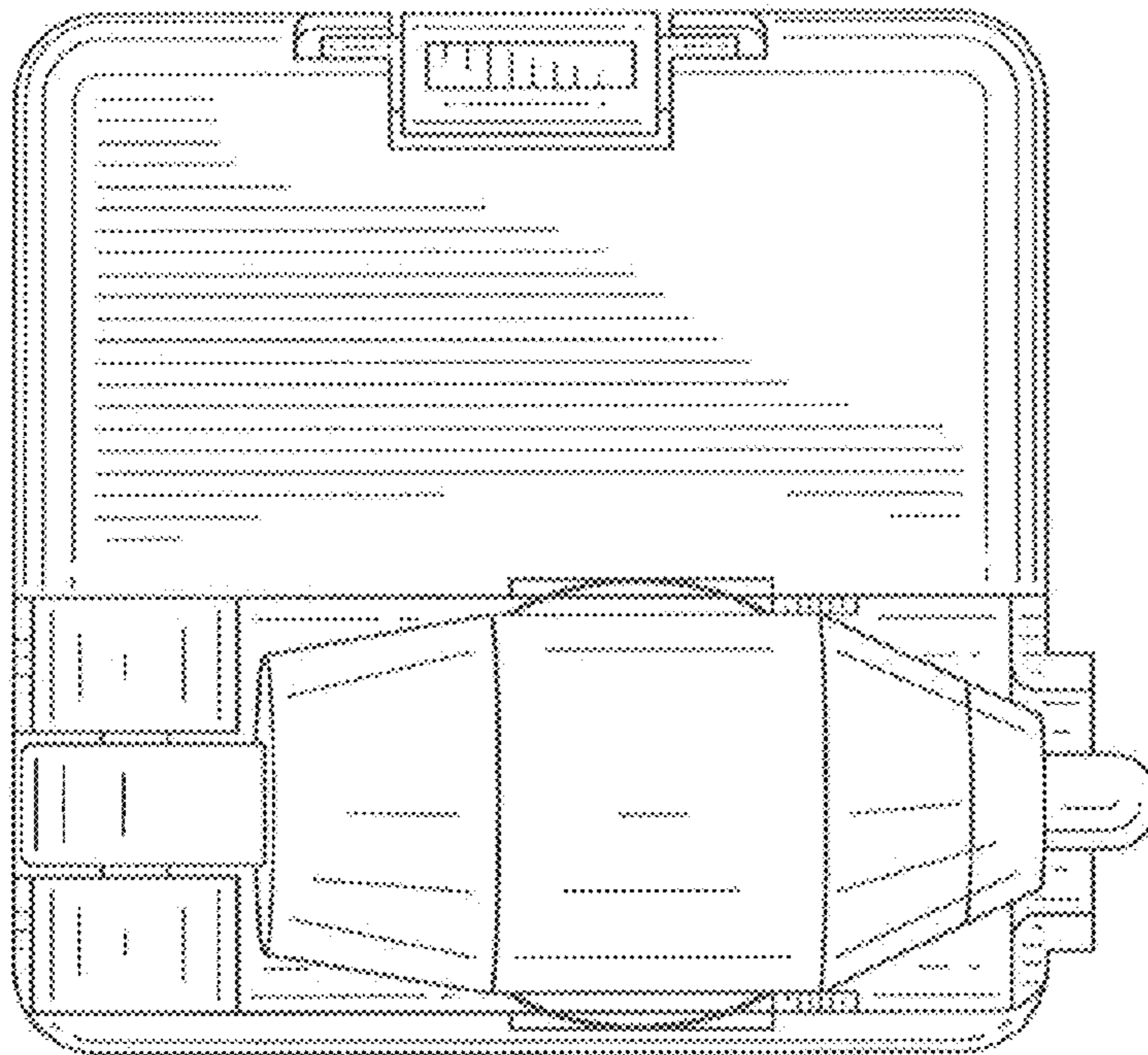


FIG. 7

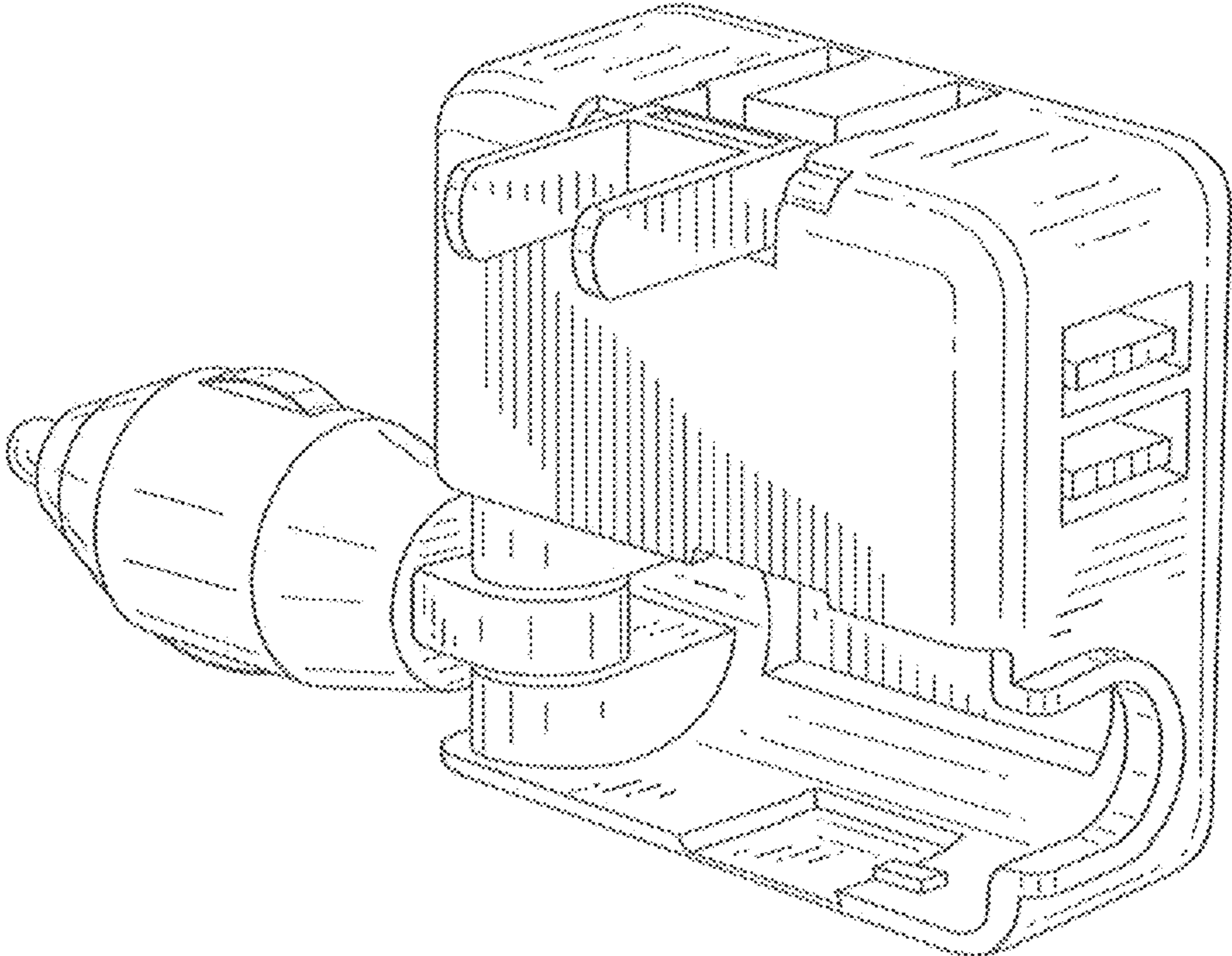


FIG.8