



US00D715734S

(12) **United States Design Patent**  
**Levy**

(10) **Patent No.:** **US D715,734 S**  
(45) **Date of Patent:** **\*\* Oct. 21, 2014**

(54) **COMPACT CHARGER**  
(71) Applicant: **Navajo Manufacturing Co., Inc.**,  
Denver, CO (US)  
(72) Inventor: **Gordon Levy**, Golden, CO (US)  
(73) Assignee: **Navajo Manufacturing Company, Inc.**,  
Denver, CO (US)  
(\*\*) Term: **14 Years**

6,086,395 A \* 7/2000 Lloyd et al. .... 439/172  
6,544,051 B1 \* 4/2003 Su ..... 439/131  
D478,546 S \* 8/2003 Andre et al. .... D13/110  
D503,679 S \* 4/2005 Andre et al. .... D13/110  
D519,922 S \* 5/2006 Andre et al. .... D13/110  
D543,940 S \* 6/2007 Hussaini et al. .... D13/144  
D574,833 S \* 8/2008 Hussaini et al. .... D14/432  
D593,031 S \* 5/2009 Miyatake et al. .... D13/110  
D616,363 S \* 5/2010 Weng ..... D13/107  
D621,782 S \* 8/2010 Chang et al. .... D13/138.1  
D628,152 S \* 11/2010 Fujii et al. .... D13/108  
D639,238 S \* 6/2011 Serrano ..... D13/110

\* cited by examiner

(21) Appl. No.: **29/469,251**  
(22) Filed: **Oct. 8, 2013**  
(51) **LOC (10) Cl.** ..... **13-02**  
(52) **U.S. Cl.**  
USPC ..... **D13/110**  
(58) **Field of Classification Search**  
USPC ..... D13/110, 107, 108, 123, 133, 137.1,  
D13/138.1, 144, 199; 174/53, 54, 59, 61;  
307/150, 151; 320/111, 114; 363/132,  
363/140, 142, 143, 146; 439/105, 131, 166,  
439/171-173, 218, 518, 692, 956;  
D14/240, 251, 253, 432, 433, 434  
See application file for complete search history.

*Primary Examiner* — Derrick Holland  
(74) *Attorney, Agent, or Firm* — Studebaker & Brackett PC

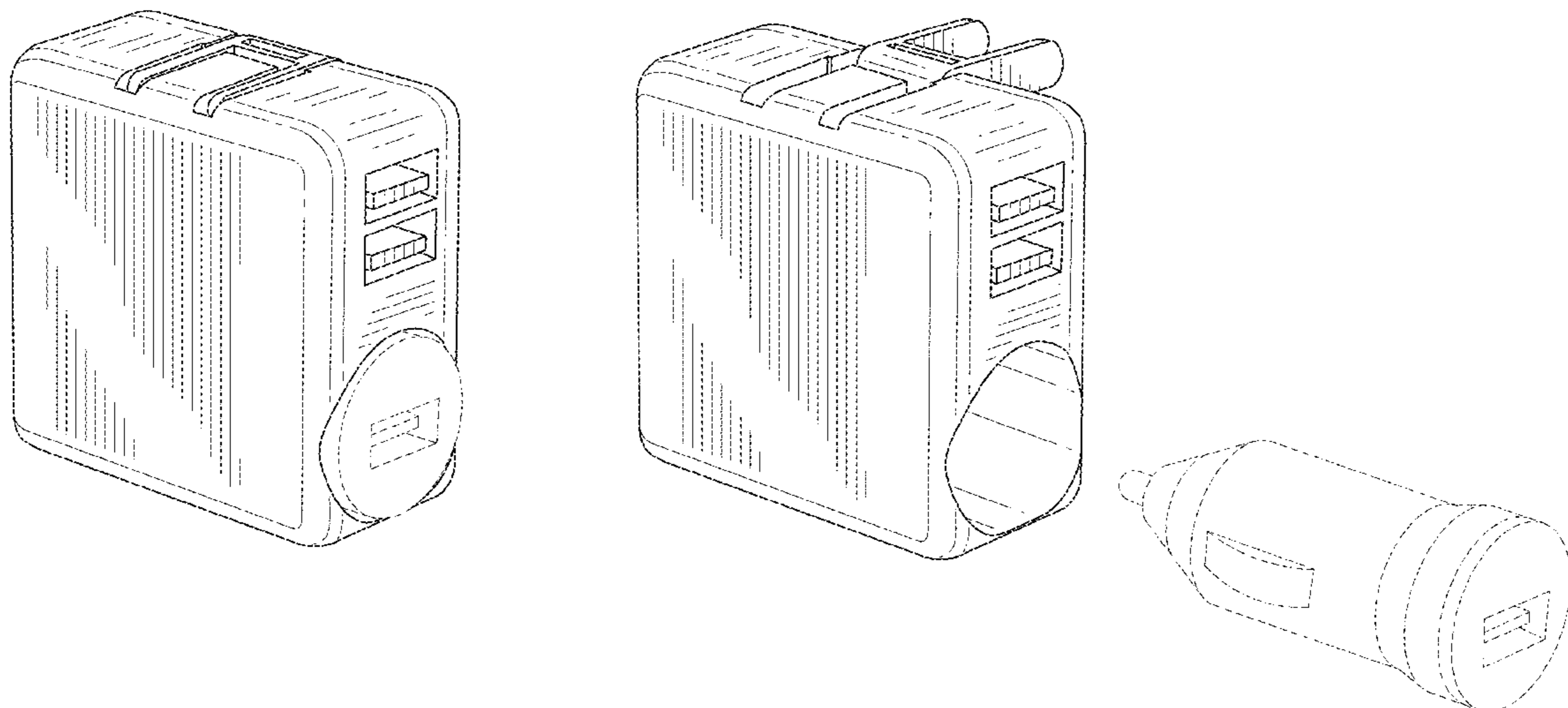
(57) **CLAIM**  
The ornamental design for a compact charger, as shown and described.

**DESCRIPTION**

FIG. 1 is a perspective view of a compact charger showing my new design;  
FIG. 2 is a front elevation view thereof;  
FIG. 3 is a rear elevation view thereof;  
FIG. 4 is a top plan view thereof;  
FIG. 5 is a bottom plan view thereof;  
FIG. 6 is a right side elevation view thereof;  
FIG. 7 is a left side elevation view thereof; and,  
FIG. 8 is an exploded perspective environmental view thereof, shown in an alternate positioning.  
The broken lines shown represent unclaimed subject matter and form no part of the claimed design.

(56) **References Cited**  
U.S. PATENT DOCUMENTS  
4,701,741 A \* 10/1987 Bert ..... 340/449  
5,613,863 A \* 3/1997 Klaus et al. .... 439/131  
5,684,689 A \* 11/1997 Hahn ..... 363/146  
5,847,545 A \* 12/1998 Chen et al. .... 320/138

**1 Claim, 5 Drawing Sheets**



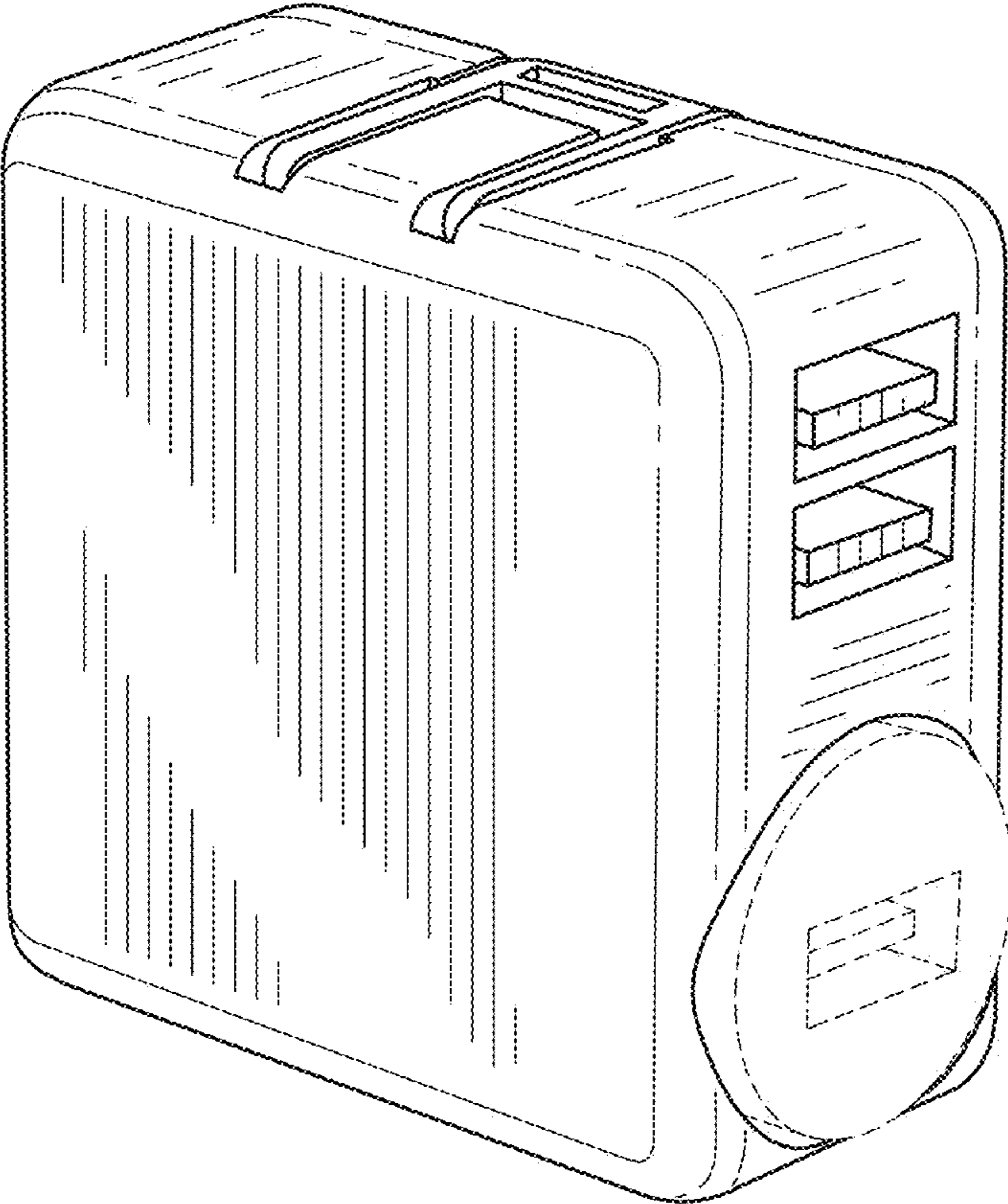


FIG. 1

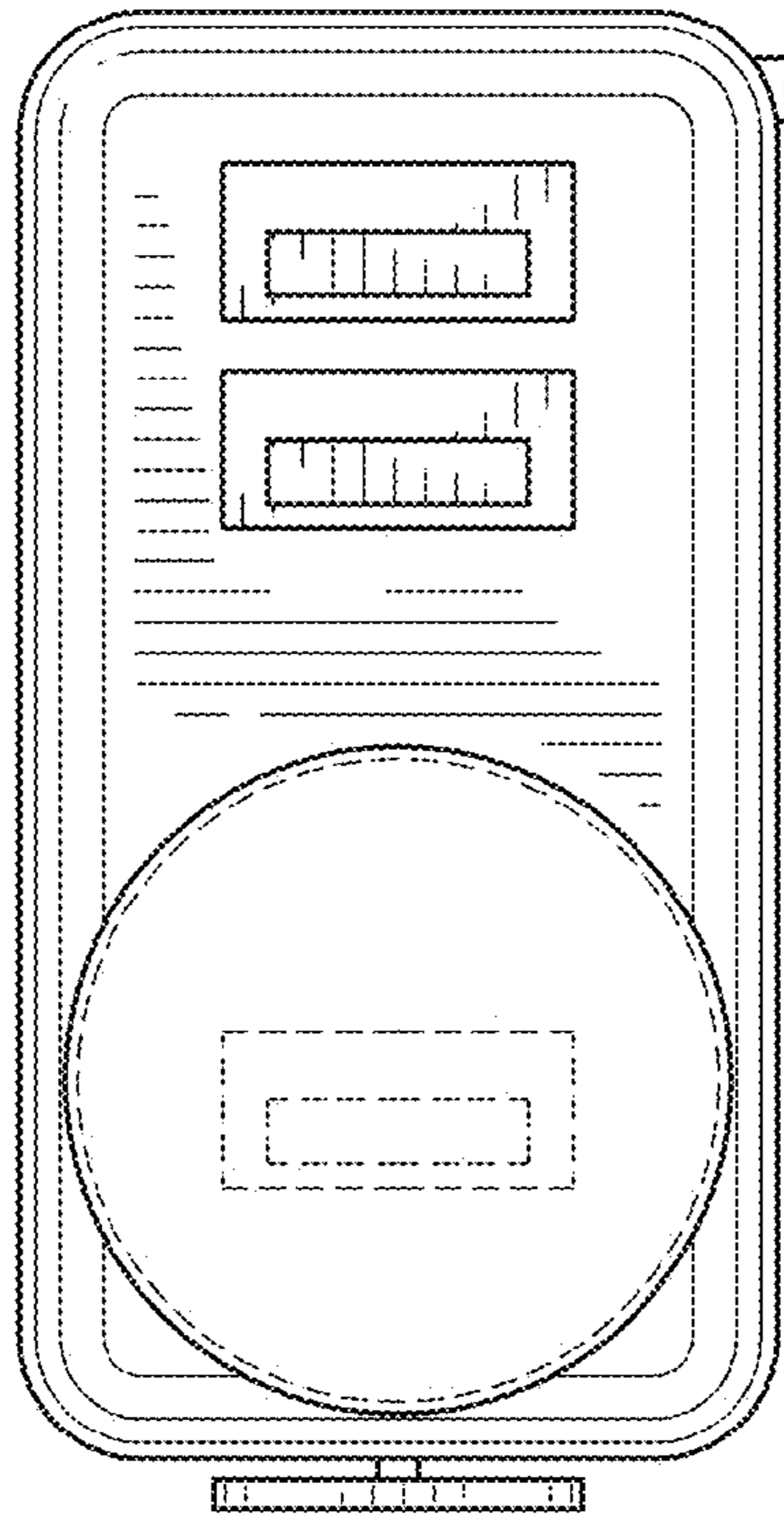


FIG. 2

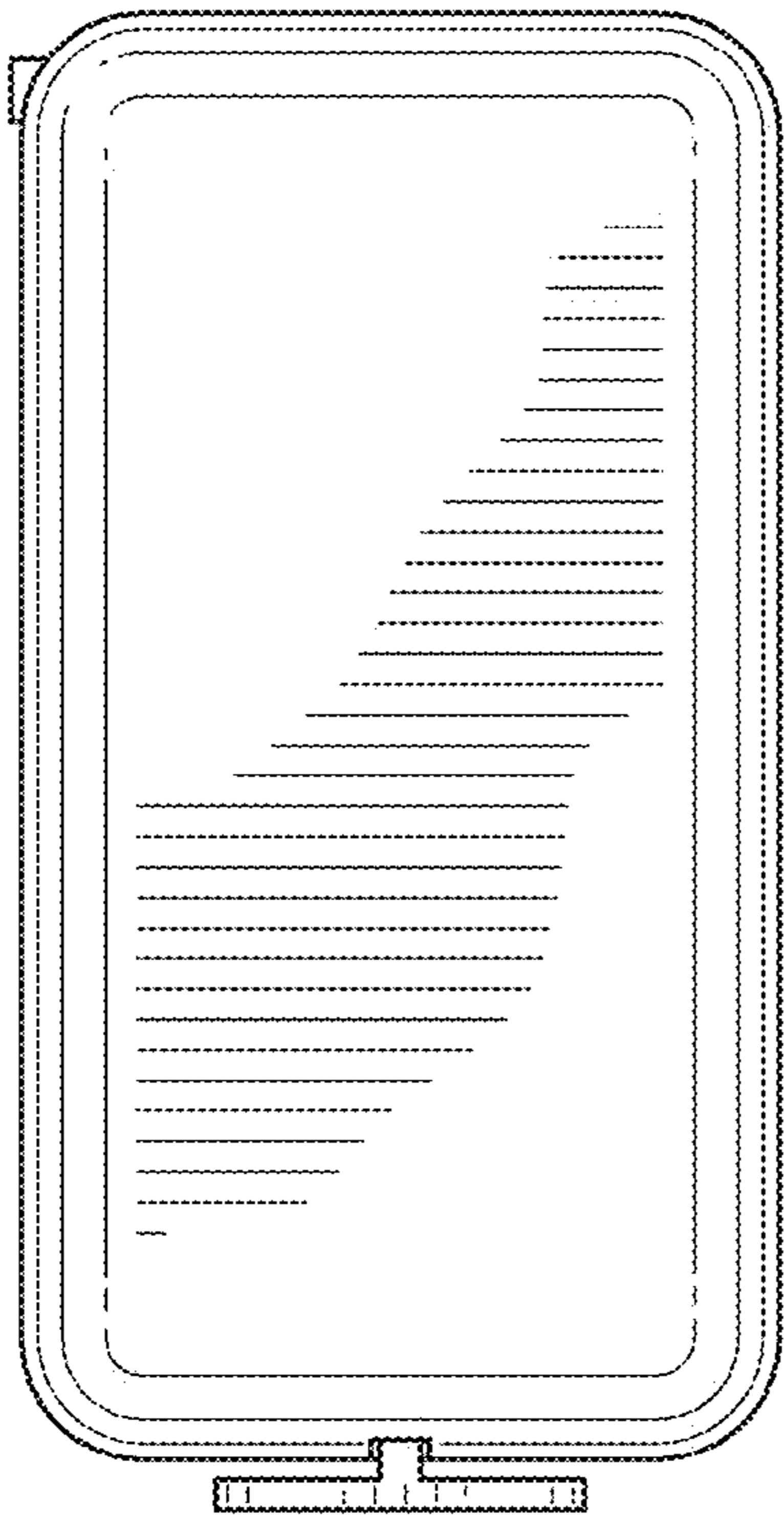


FIG. 3

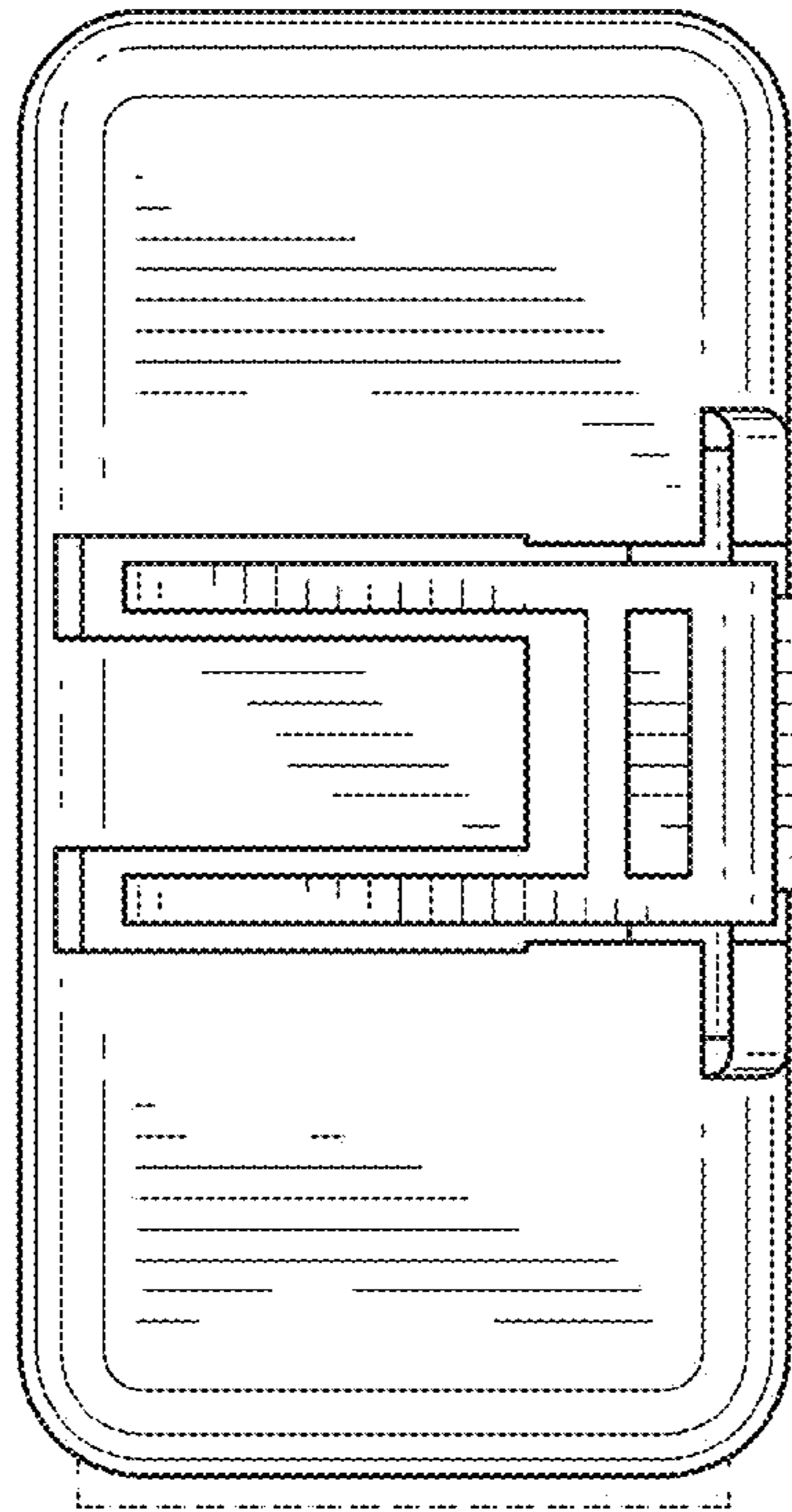


FIG. 4

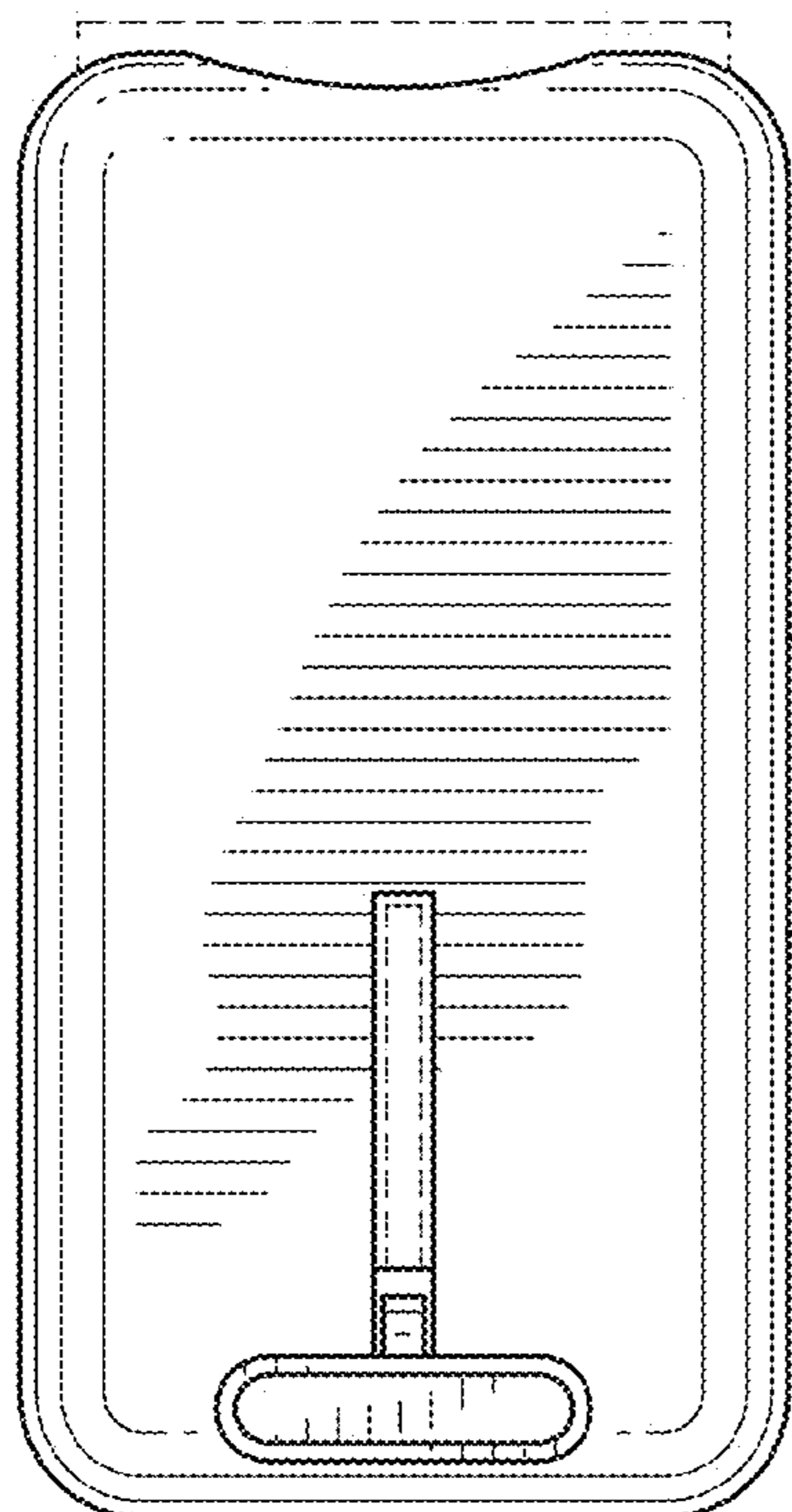


FIG. 5

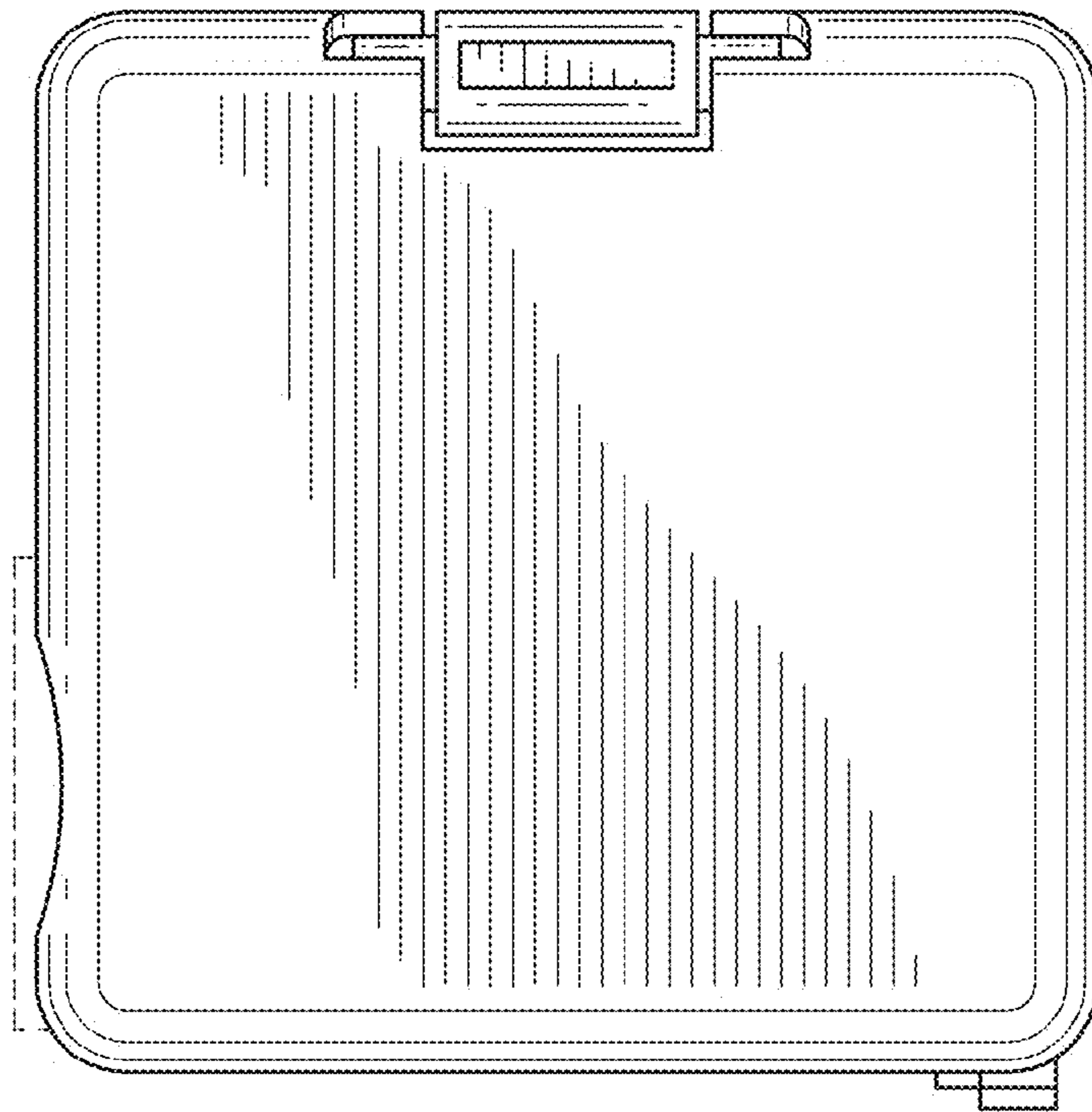


FIG. 6

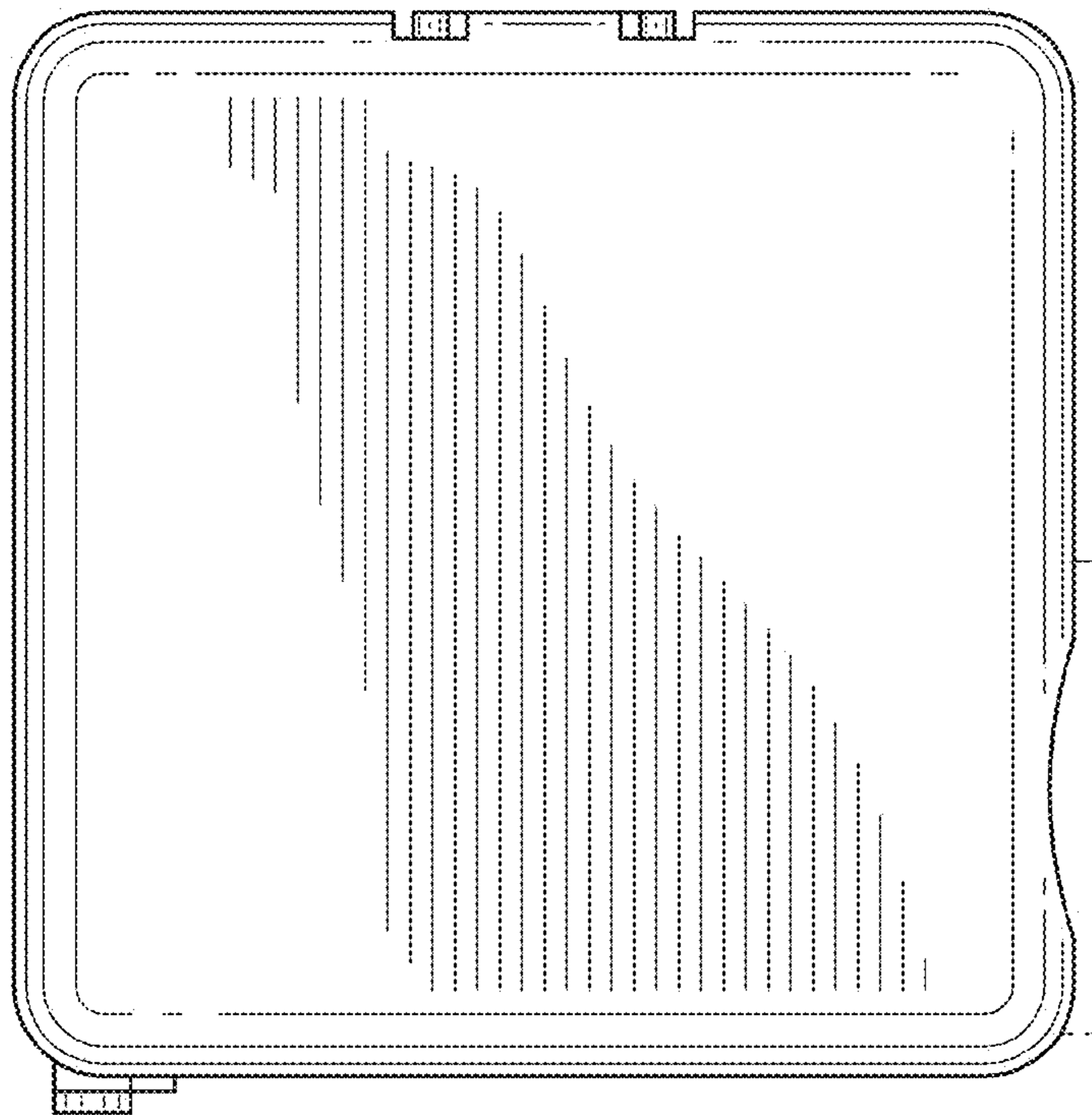


FIG. 7

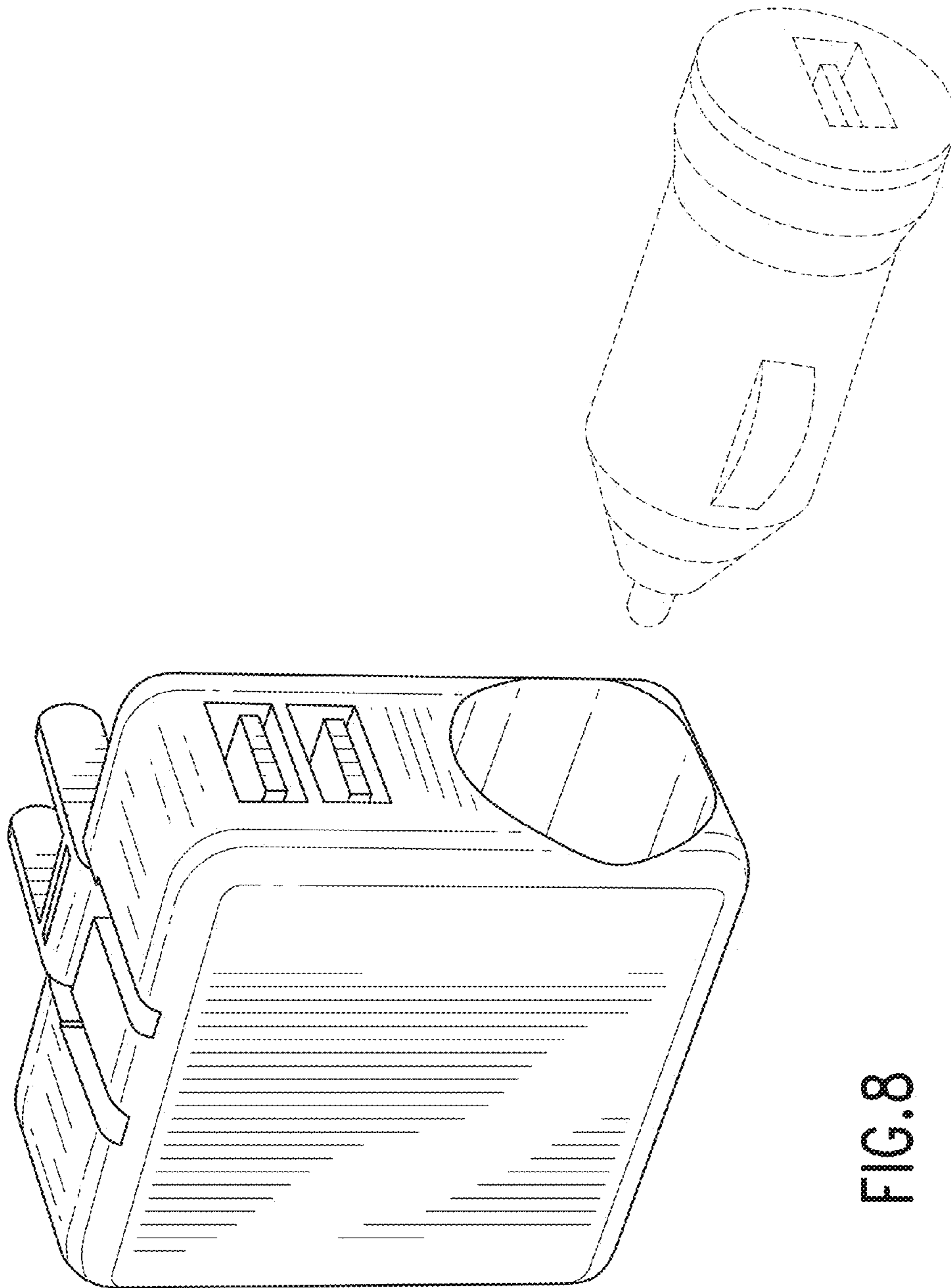


FIG. 8