



US00D715731S

(12) **United States Design Patent**
Nook et al.

(10) **Patent No.:** **US D715,731 S**
(45) **Date of Patent:** **** Oct. 21, 2014**

(54) **SOLAR CHARGER**

(71) Applicant: **The Noco Company**, Glenwillow, OH (US)

(72) Inventors: **Jonathan Lewis Nook**, Gates Mills, OH (US); **William Knight Nook, Sr.**, Shaker Heights, OH (US); **James Richard Stanfield**, Peoria, AZ (US); **Derek Michael Underhill**, Tempe, AZ (US)

(73) Assignee: **The Noco Company**, Glenwillow, OH (US)

(**) Term: **14 Years**

(21) Appl. No.: **29/468,283**

(22) Filed: **Sep. 27, 2013**

(51) **LOC (10) Cl.** **13-02**

(52) **U.S. Cl.**
USPC **D13/102**

(58) **Field of Classification Search**
USPC D13/102, 101, 103, 107, 108, 199;
D14/341, 371; 136/206, 243, 244, 245,
136/252; 320/101, 102, 114, 115, 120;
D6/308

See application file for complete search history.

(56) **References Cited**

U.S. PATENT DOCUMENTS

4,786,851 A * 11/1988 Fuji et al. 320/101
5,522,943 A * 6/1996 Spencer et al. 136/245

D391,921 S * 3/1998 Zimmer et al. D13/102
D490,420 S * 5/2004 Solomon et al. D14/341
D535,613 S * 1/2007 Varalo et al. D13/108
D601,490 S * 10/2009 Zhu et al. D13/102
D616,812 S * 6/2010 Scholz et al. D13/102
D622,514 S * 8/2010 Park et al. D6/308
D628,148 S * 11/2010 English et al. D13/102
D628,534 S * 12/2010 Daniel D13/102
D630,162 S * 1/2011 Bullen D13/102
D634,704 S * 3/2011 Tieleman et al. D13/102
D650,736 S * 12/2011 Wharram D13/102
D657,305 S * 4/2012 Nomi et al. D13/102
2011/0065474 A1 * 3/2011 Won et al. 455/556.1

* cited by examiner

Primary Examiner — Derrick Holland

(74) *Attorney, Agent, or Firm* — Vorys, Sater, Seymour and Pease LLP; William L. Klima

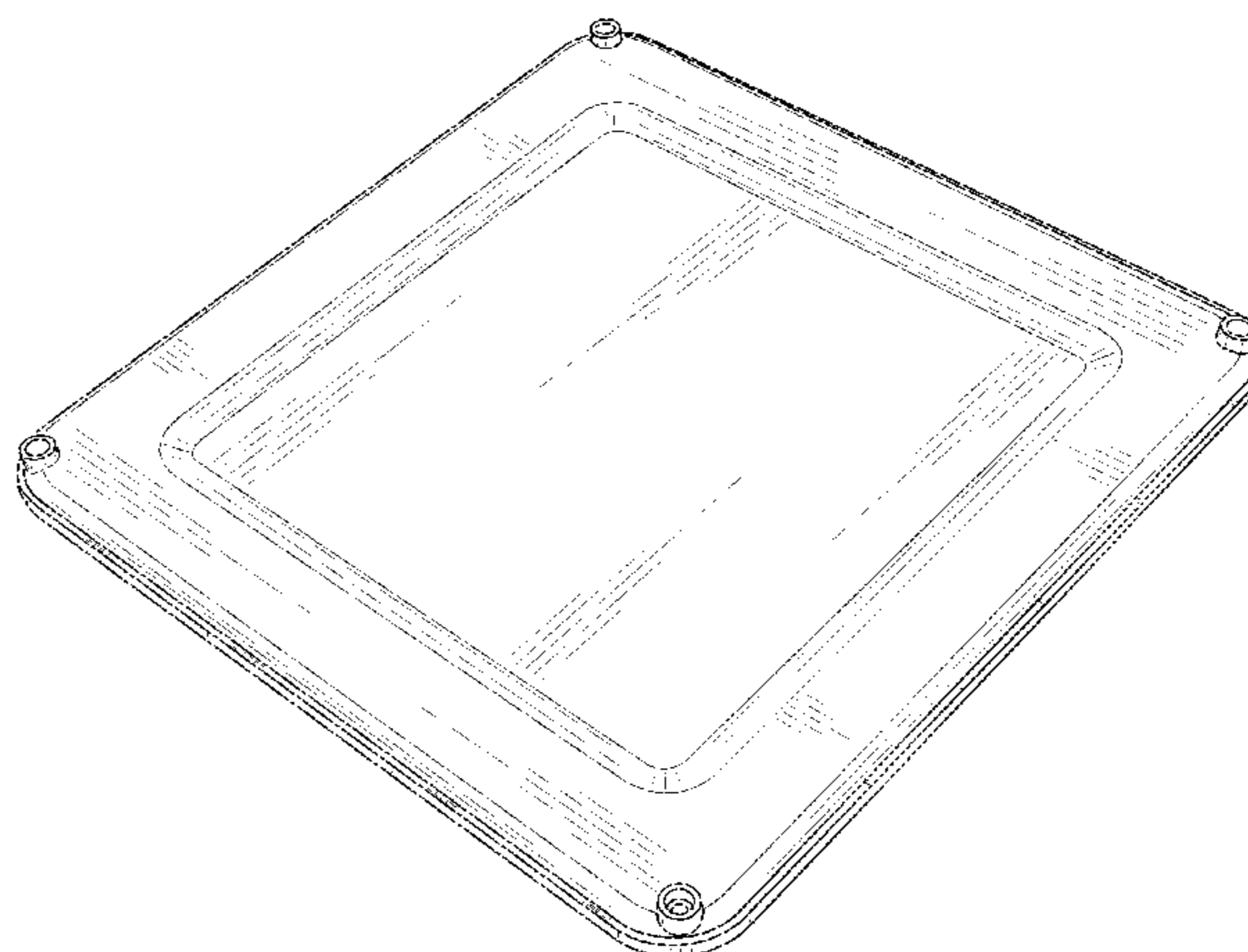
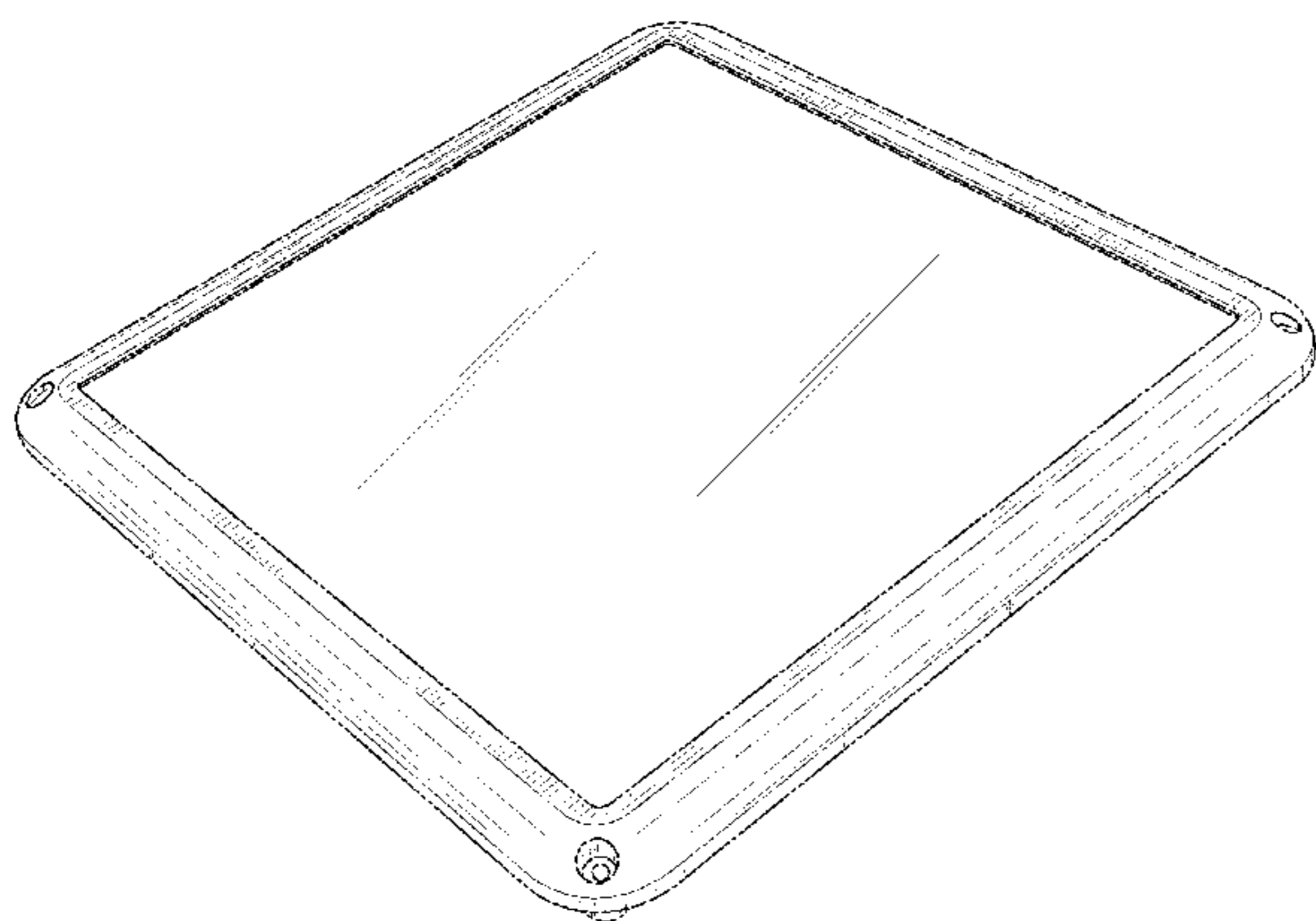
(57) **CLAIM**

The ornamental design for solar charger, as shown and described.

DESCRIPTION

FIG. 1 is a front perspective view for a solar charger;
FIG. 2 is a rear perspective view thereof;
FIG. 3 is a front elevational view thereof;
FIG. 4 is a rear elevational view thereof;
FIG. 5 is a right-side elevational view thereof;
FIG. 6 is a left-side elevational view thereof;
FIG. 7 is a top plan view thereof; and,
FIG. 8 is a bottom plan view thereof.

1 Claim, 6 Drawing Sheets



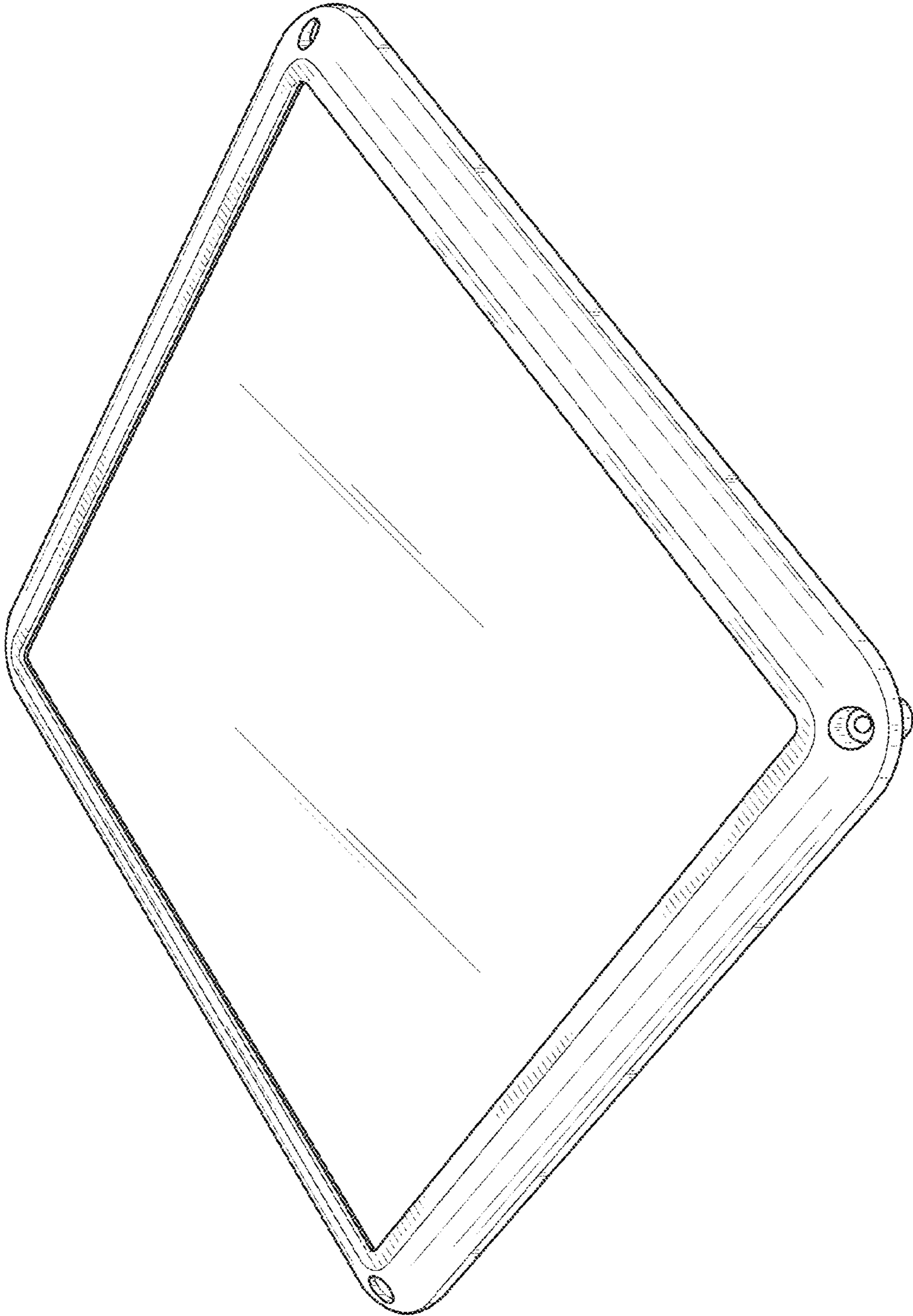


FIG. 1

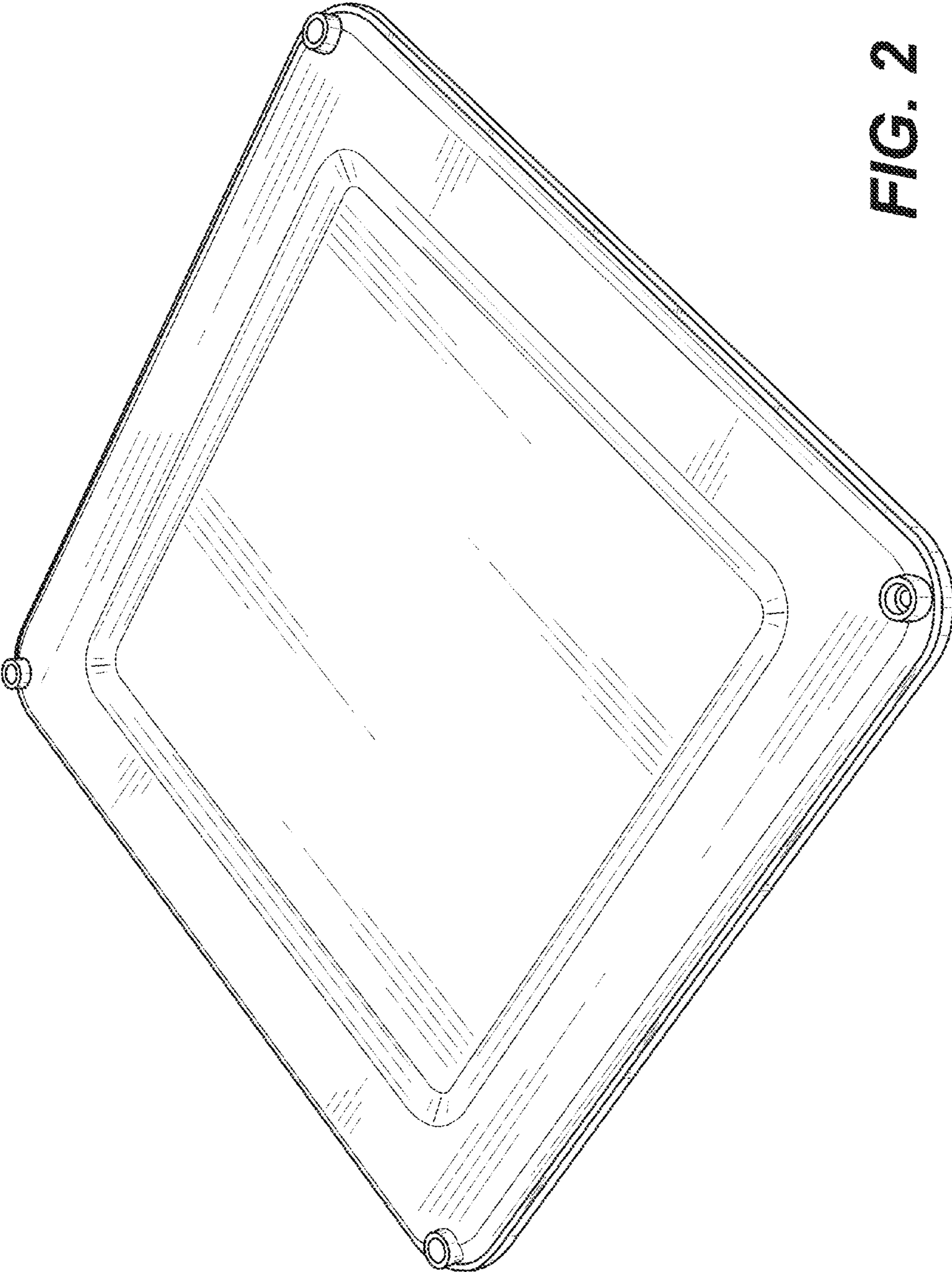


FIG. 2

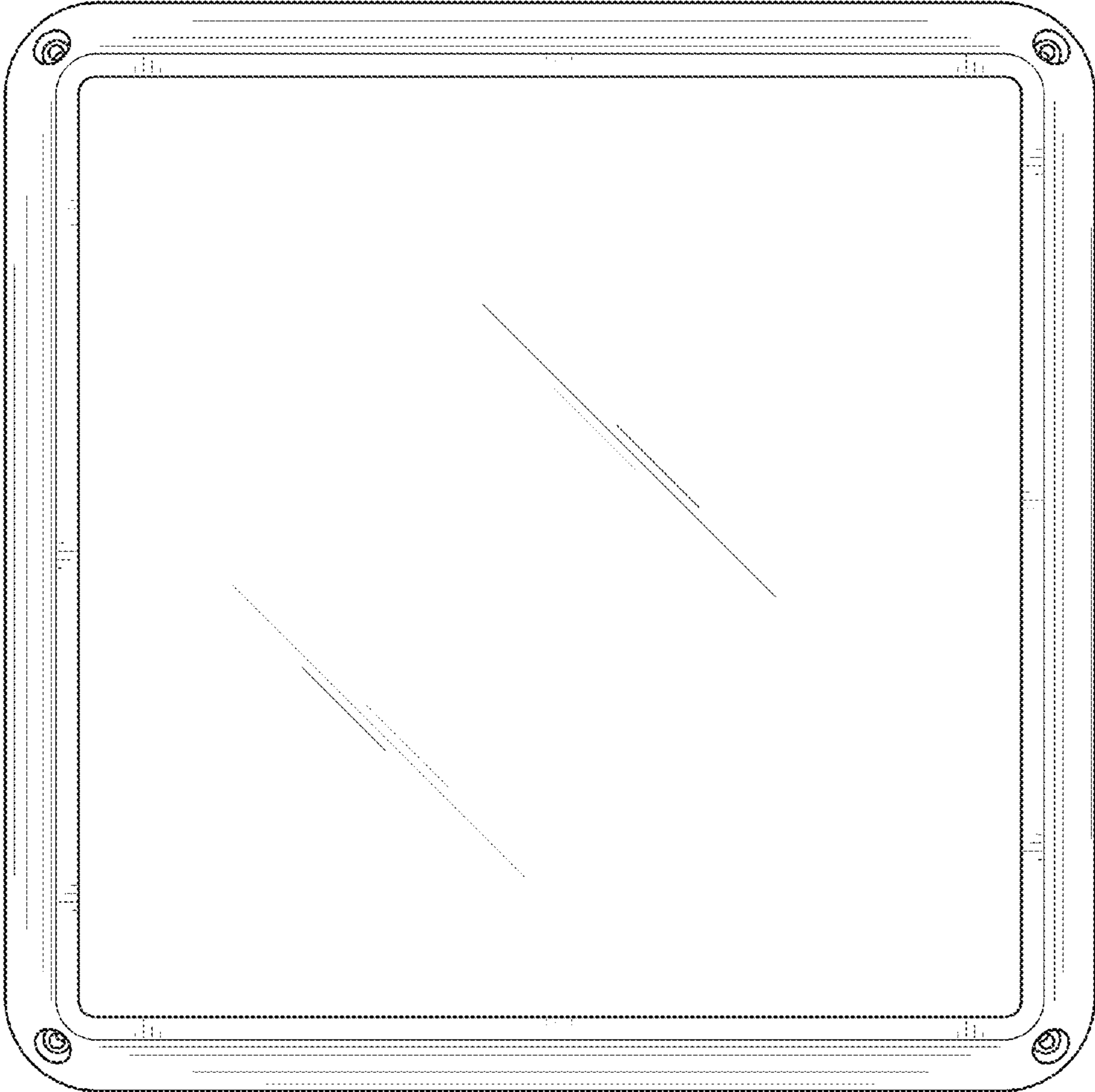


FIG. 3

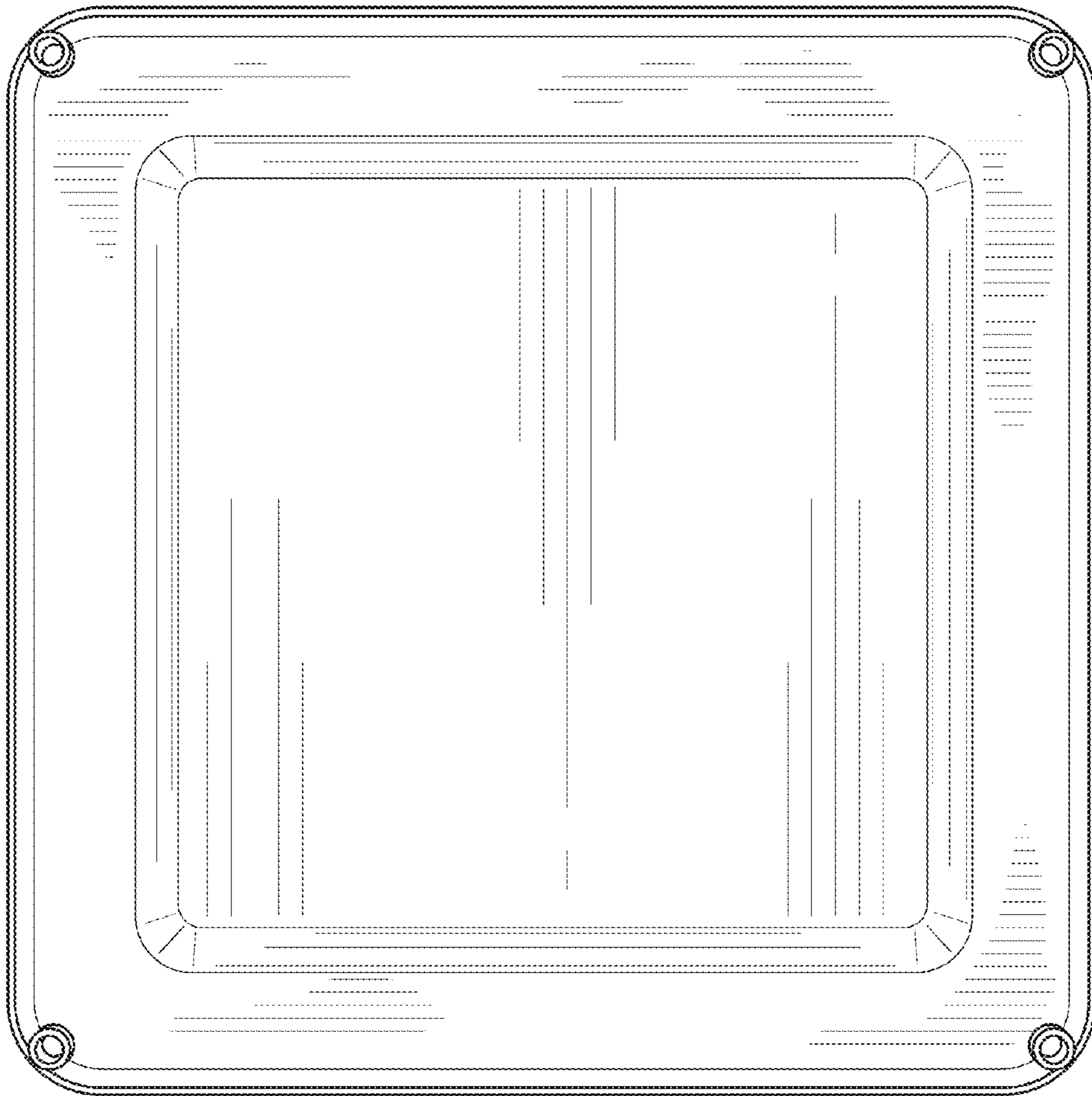


FIG. 4

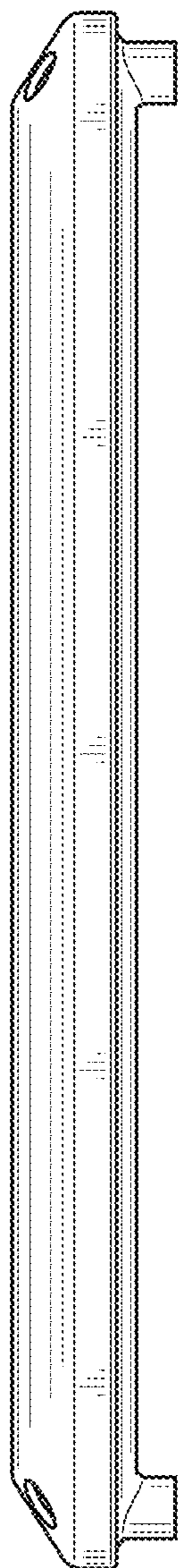


FIG. 5

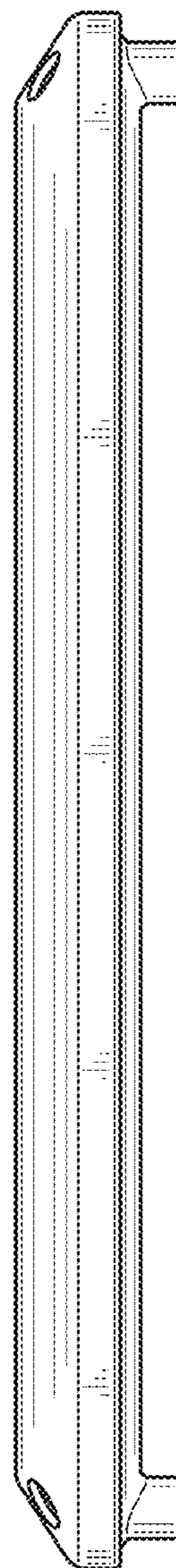


FIG. 6

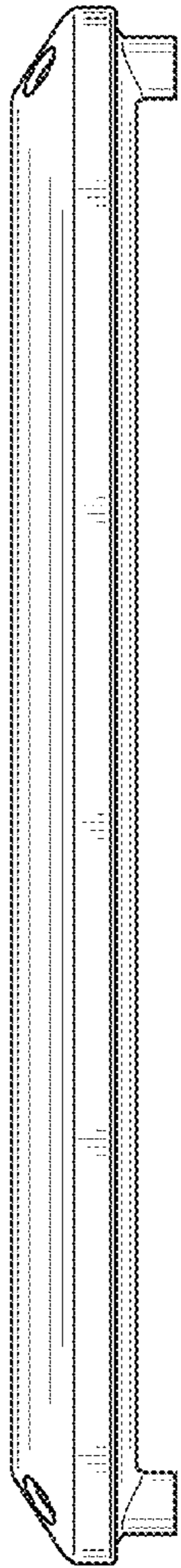


FIG. 7

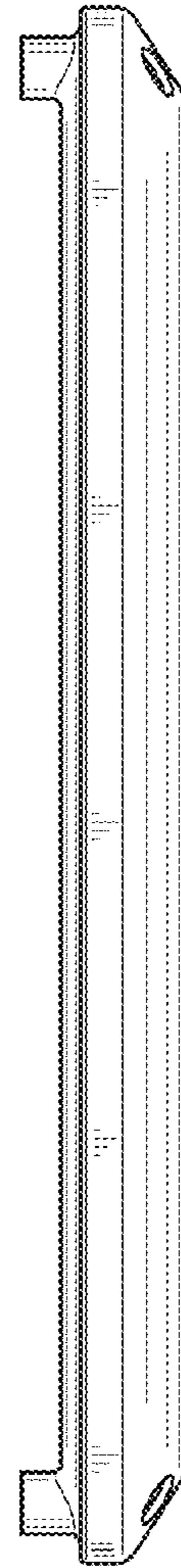


FIG. 8