



US00D715730S

(12) **United States Design Patent**
Buchinger-Barnstorf

(10) **Patent No.:** **US D715,730 S**
(45) **Date of Patent:** **** Oct. 21, 2014**

(54) **TIRE**

(75) Inventor: **Thomas Buchinger-Barnstorf,**
Wennigsen (DE)

(73) Assignee: **Continental Reifen Deutschland**
GmbH, Hannover (DE)

(**) Term: **14 Years**

(21) Appl. No.: **29/413,686**

(22) Filed: **Feb. 17, 2012**

(30) **Foreign Application Priority Data**

Aug. 18, 2011 (EM) 001905720

(51) **LOC (10) Cl.** **12-15**

(52) **U.S. Cl.**
USPC **D12/601; D12/900**

(58) **Field of Classification Search**
USPC D12/568-603, 900-901, 564-565;
152/209.1-209.9, 209.11-209.19,
152/209.21-209.28, 455
See application file for complete search history.

(56) **References Cited**

U.S. PATENT DOCUMENTS

D340,014 S * 10/1993 Grenie et al. D12/601
D545,266 S * 6/2007 Yamaura D12/900
D603,786 S * 11/2009 Marella D12/584

D611,402 S * 3/2010 Lee D12/584
D614,122 S * 4/2010 Seibert D12/600
D640,627 S * 6/2011 Durand D12/601
D641,685 S * 7/2011 Youn D12/584
D652,370 S * 1/2012 Buchinger-Barnstorf ... D12/900
D657,734 S * 4/2012 Buchinger-Barnstorf ... D12/600
D686,567 S * 7/2013 Fu D12/600
D686,977 S * 7/2013 Hutz et al. D12/600

* cited by examiner

Primary Examiner — Stacia Cadmus

(74) *Attorney, Agent, or Firm* — Greenblum & Bernstein,
P.L.C.

(57) **CLAIM**

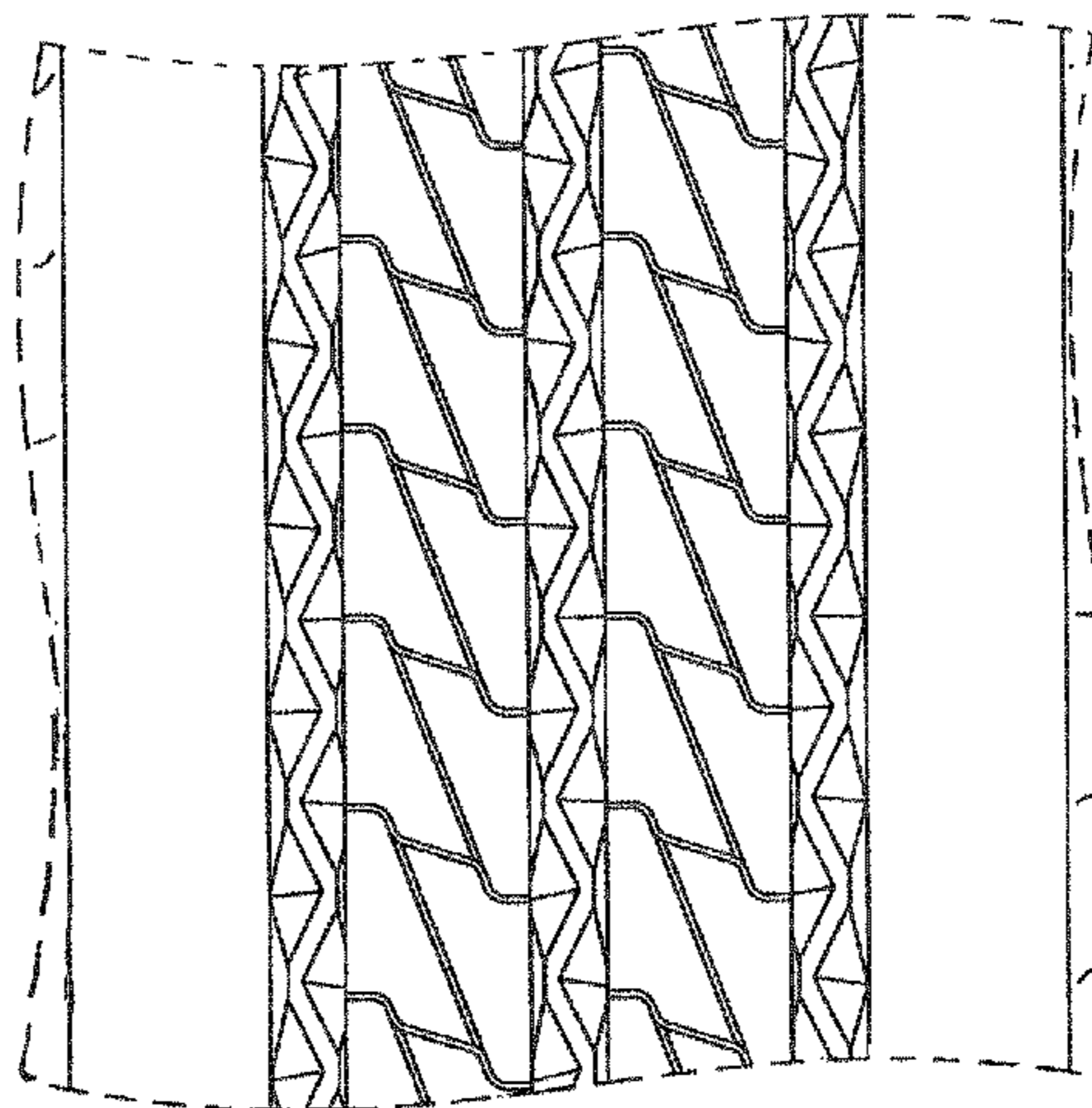
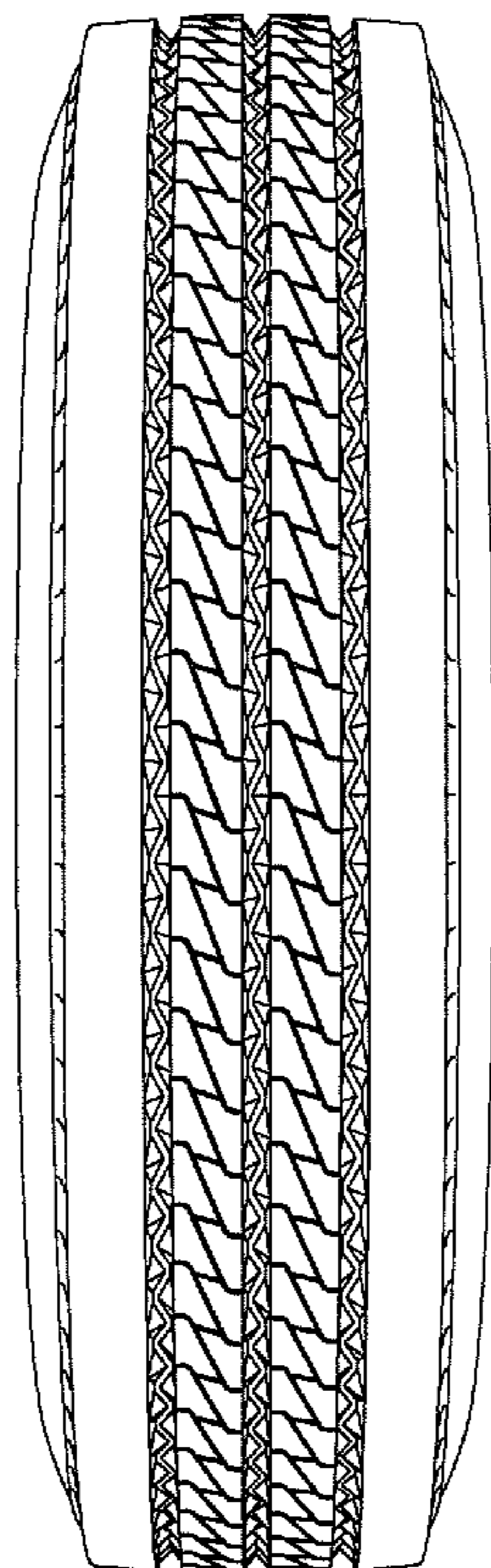
I claim the ornamental design for a tire, as shown and described.

DESCRIPTION

FIG. 1 is a front side perspective view of the tire;
FIG. 2 is a front view of FIG. 1;
FIG. 3 is a left side view of FIG. 1;
FIG. 4 is a right side view of FIG. 1; and,
FIG. 5 is an enlarged section of the tire of FIG. 1. The lines defining a box surrounding the section forms no part of the design.

The broken lines forming a box in FIG. 5 is included for the purpose of illustrating an enlarged section of the tire and forms no part of the claimed invention.

1 Claim, 5 Drawing Sheets



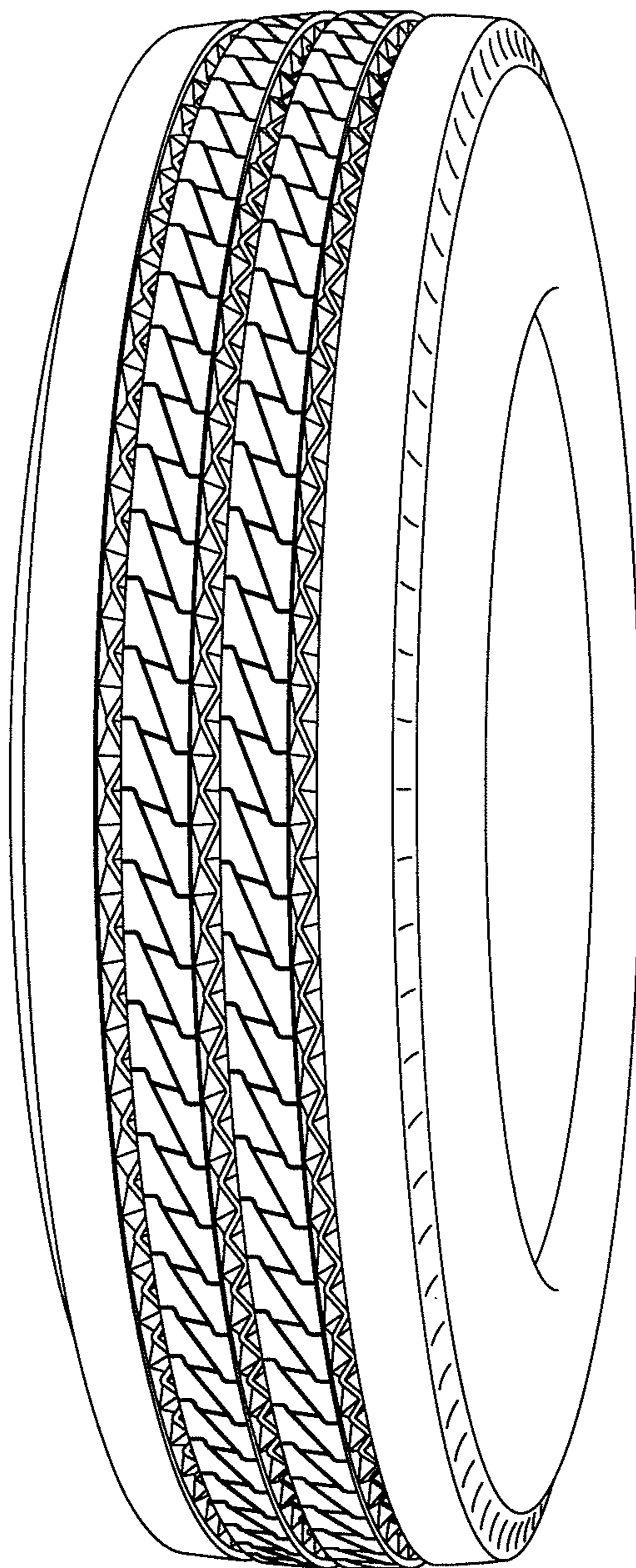


FIG. 1

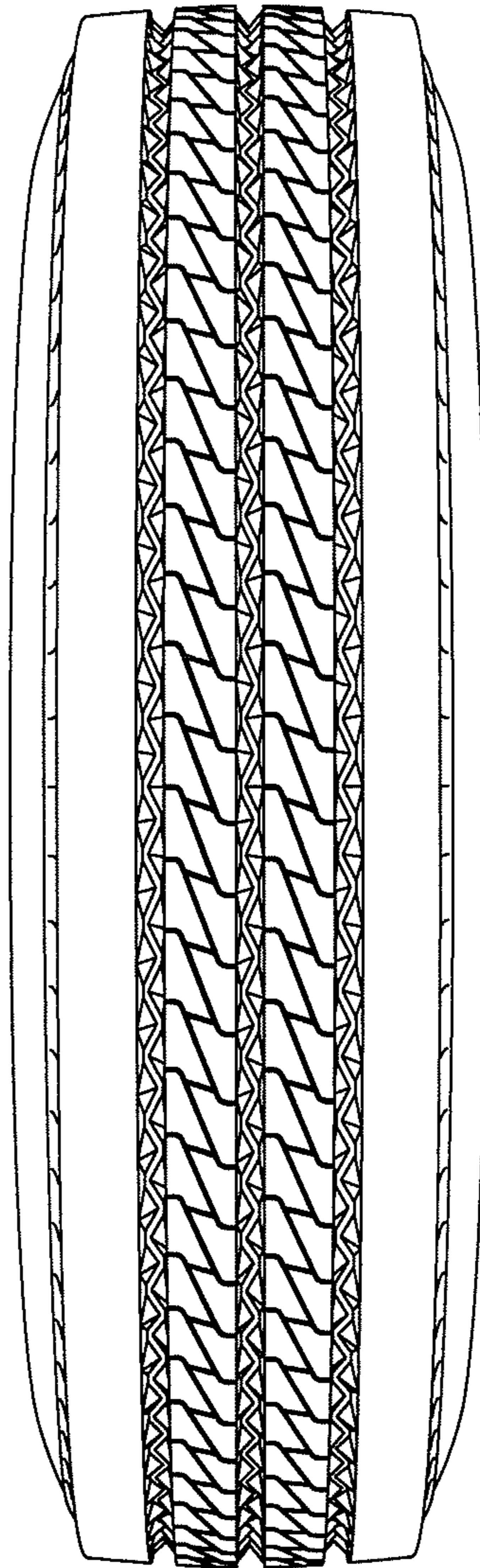


FIG. 2

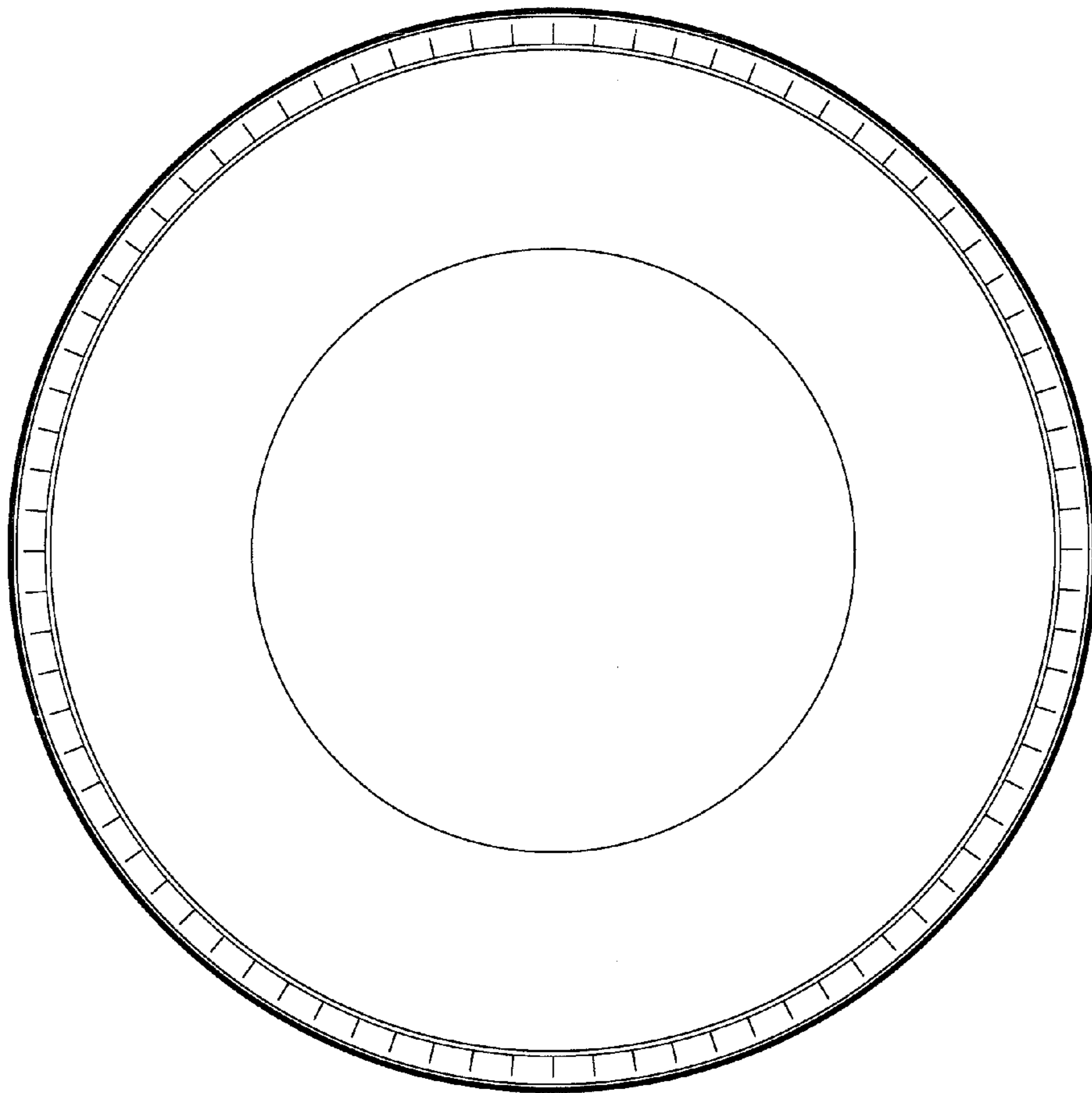


FIG. 3

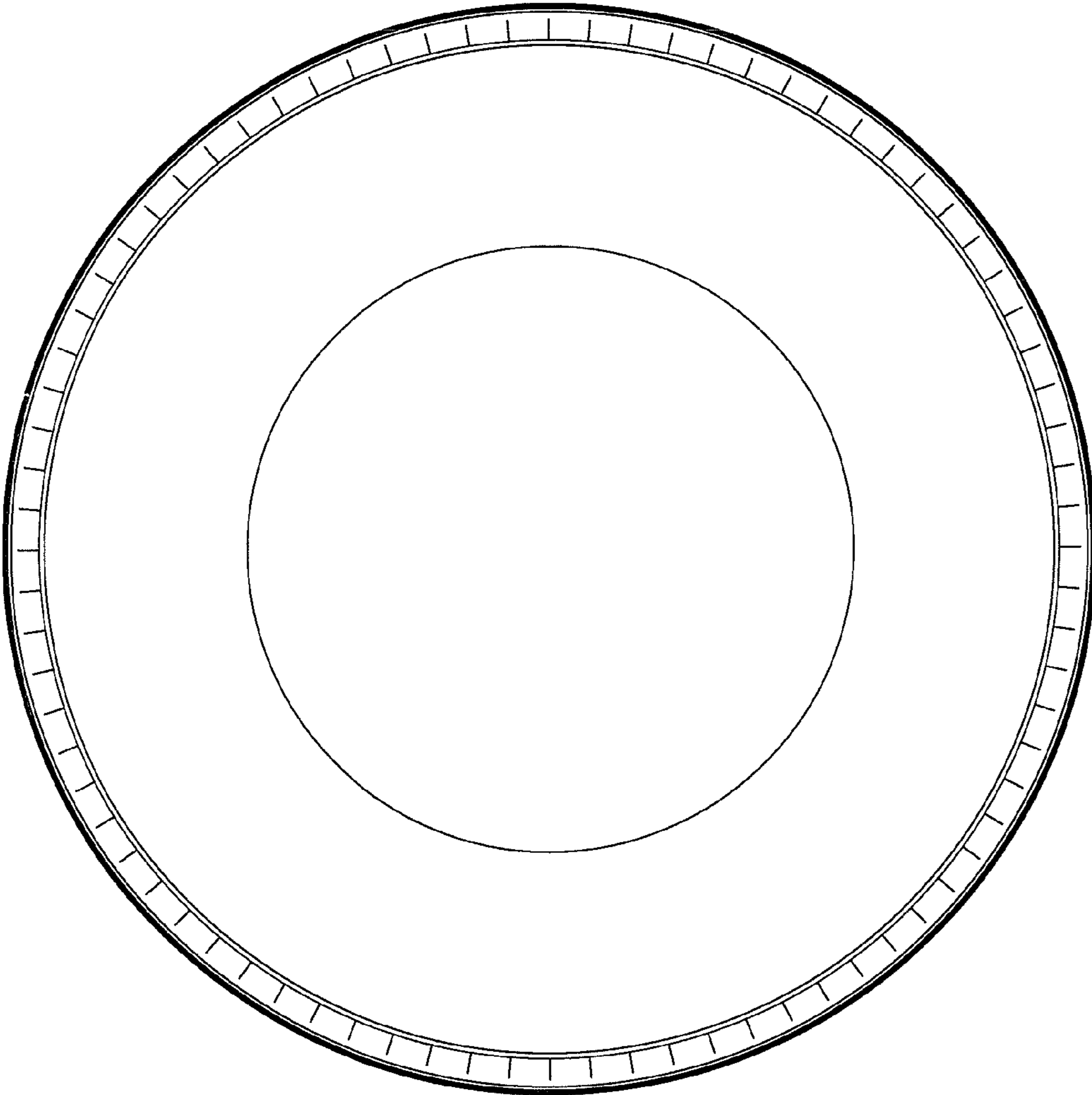


FIG. 4

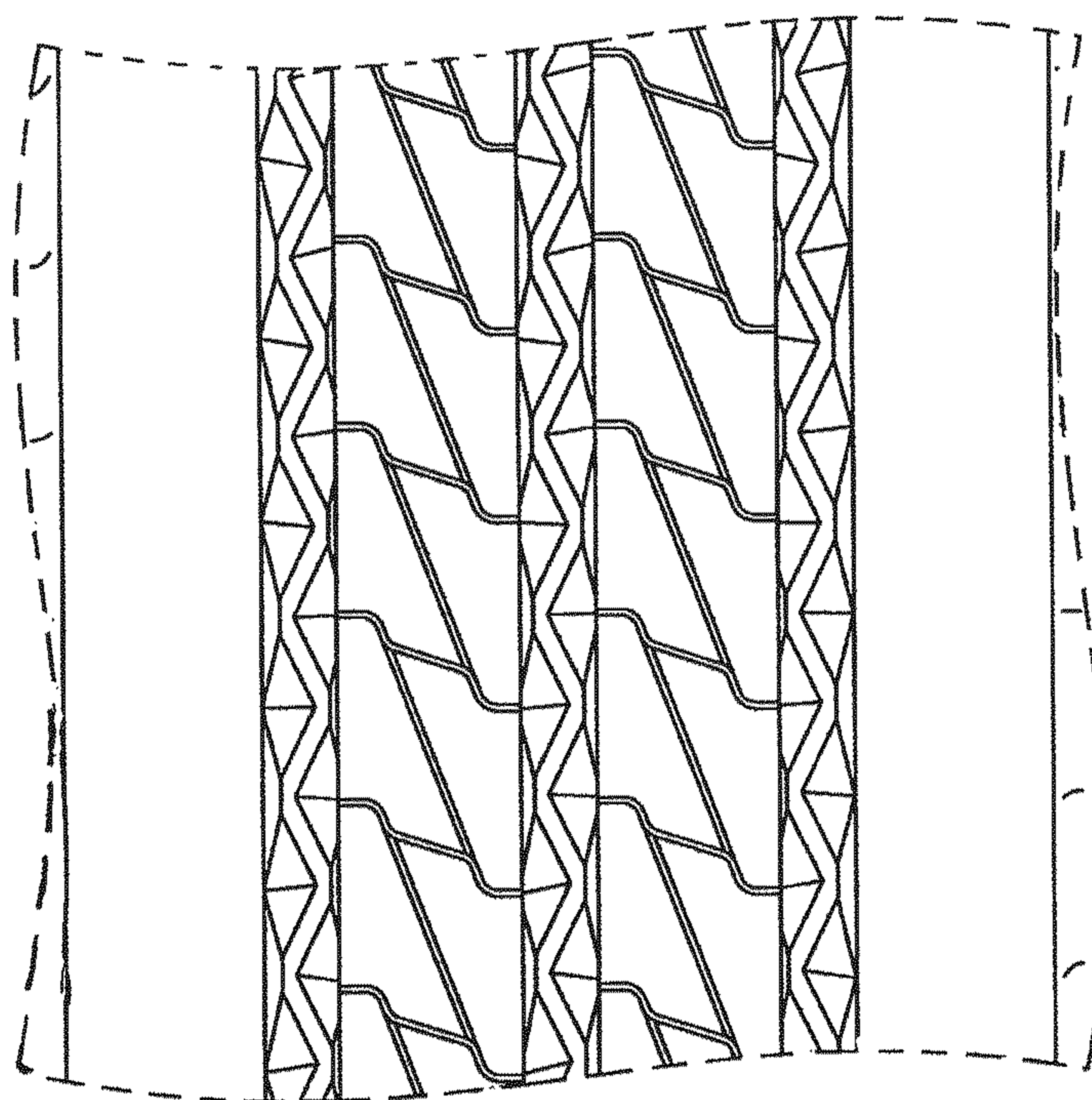


FIG. 5