



US00D715729S

(12) **United States Design Patent**  
**Fontaine et al.**

(10) **Patent No.:** **US D715,729 S**  
(45) **Date of Patent:** **\*\* Oct. 21, 2014**

(54) **TIRE**  
(71) Applicant: **The Goodyear Tire & Rubber Company, Akron, OH (US)**  
(72) Inventors: **Sebastien Willy Fontaine, Vichten (LU); Armand Rene Gabriel Leconte, Gralingen (LU); Stephane Houchard, Orgeo (BE); Jean Joseph Victor Collette, Arlon (BE); Patrick Paul Deblaize, Mamer (LU); Claude Charles Jacoby, Wesserbillig (LU); Raymond Marie Joseph Ghislain Houba, Vaux-sur-sure (BE)**

D429,194 S	8/2000	Heinen et al.	.....	D12/147
D429,478 S	8/2000	Heinen et al.	.....	D12/147
D431,800 S	10/2000	Heinen et al.	.....	D12/147
D441,328 S	5/2001	Heinen et al.	.....	D12/146
D450,032 S	11/2001	Heinen	.....	D12/550
D451,454 S	* 12/2001	Clark et al.	.....	D12/565
D451,853 S	12/2001	Heinen et al.	.....	D12/146
D451,856 S	12/2001	Graas	.....	D12/147
D451,867 S	* 12/2001	Clark et al.	.....	D12/566
D451,868 S	12/2001	Graas et al.	.....	D12/147
D452,198 S	12/2001	Heinen et al.	.....	D12/146
D455,116 S	4/2002	Graas et al.	.....	D12/553
D472,514 S	4/2003	Himuro	.....	D15/550

(Continued)

*Primary Examiner* — Stacia Cadmus  
(74) *Attorney, Agent, or Firm* — Richard B. O’Planick

(73) Assignee: **The Goodyear Tire & Rubber Company, Akron, OH (US)**

(57) **CLAIM**  
The ornamental design for a tire, as shown and described.

(\*\*) Term: **14 Years**

**DESCRIPTION**

(21) Appl. No.: **29/443,659**

FIG. 1 is a perspective view of a tire showing our new design, it being understood that the pattern repeats uniformly throughout the circumference of the tread;  
FIG. 2 is a front elevational view thereof;  
FIG. 3 is a right side elevational view thereof; the other side being a mirror image thereof;  
FIG. 4 is an enlarged fragmentary front elevational view thereof;  
FIG. 5 is a perspective view of a second embodiment of a tire showing our new design, it being understood that the pattern repeats uniformly throughout the circumference of the tread and that the opposite side view is a mirror image thereof; and, FIG. 6 is a front elevational view of a second embodiment, it being understood that an enlarged fragmentary view thereof would be substantially identical to that shown in FIG. 4, with the exception of the inclusion of the sidewall in solid lines.  
In the drawings, the broken lines showing of the sidewall, inner bead and the peripheral boundary between the tire tread and the sidewall in FIGS. 1 through 4 depict environmental subject matter and form no part of the claimed design.

(22) Filed: **Jan. 21, 2013**

(51) **LOC (10) Cl.** ..... **12-15**

(52) **U.S. Cl.**  
USPC ..... **D12/566**

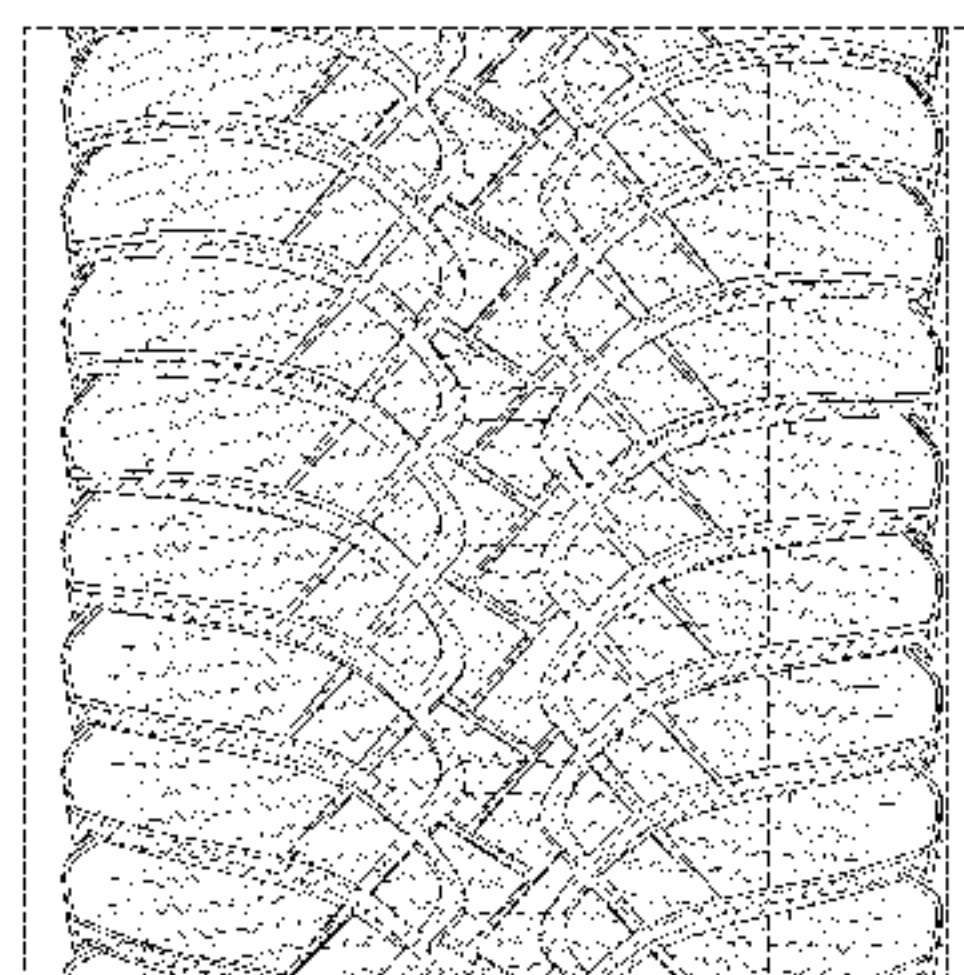
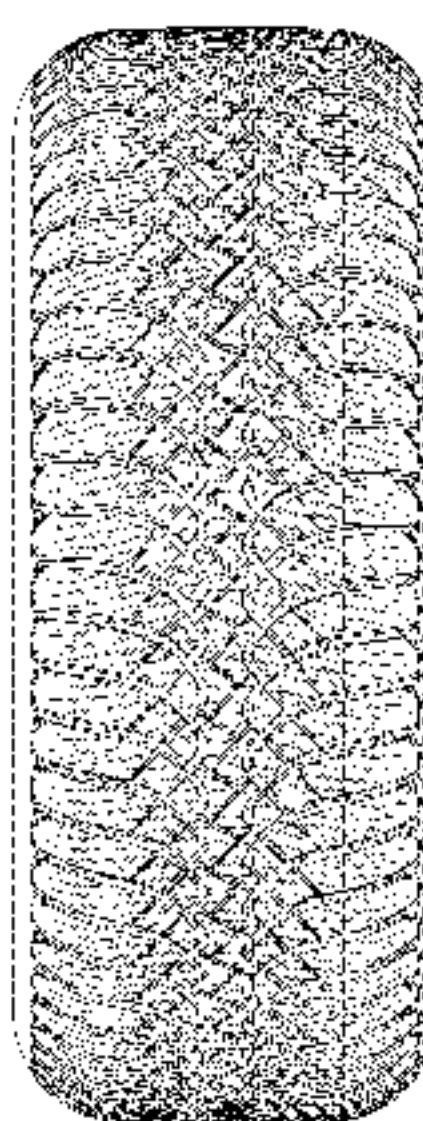
(58) **Field of Classification Search**  
USPC ..... D12/533–567, 900–901;  
152/209.1–209.9, 209.11–209.19,  
152/209.21–209.28, 455  
See application file for complete search history.

(56) **References Cited**

**U.S. PATENT DOCUMENTS**

D346,774 S	*	5/1994	Brayer et al.	.....	D12/565
D347,814 S	*	6/1994	Brayer	.....	D12/565
D361,966 S		9/1995	Graas et al.	.....	D12/146
D362,420 S		9/1995	Heinen et al.	.....	D12/147
D379,787 S		6/1997	Maxwell et al.	.....	D12/147
D400,832 S	*	11/1998	Dixon et al.	.....	D12/566
D405,730 S	*	2/1999	Maxwell	.....	D12/566
D407,678 S	*	4/1999	Dixon et al.	.....	D12/566

**1 Claim, 6 Drawing Sheets**



(56)

**References Cited**

U.S. PATENT DOCUMENTS

D490,363 S	5/2004	Miyasaka et al. ....	D12/551	D595,640 S	7/2009	de Briey-Terlinden .....	D12/564
D504,106 S	4/2005	de Briey-Terlinden et al. ....	D12/553	D596,109 S	7/2009	de Briey-Terlinden .....	D12/553
D504,387 S	4/2005	Welbes et al. ....	D12/549	D596,557 S	7/2009	Park .....	D12/549
D504,866 S	5/2005	Collette et al. ....	D12/553	D597,475 S	8/2009	Heinen et al. ....	D12/553
D505,112 S	5/2005	Heinen et al. ....	D12/567	D597,476 S	8/2009	de Briey-Terlinden .....	D12/553
D533,131 S	12/2006	Fontaine et al. ....	D12/588	D601,946 S	10/2009	Fontaine et al. ....	D12/553
D548,677 S	8/2007	Welbes et al. ....	D12/553	D606,007 S	12/2009	Fontaine et al. ....	D12/564
D583,305 S	12/2008	Ashton et al. ....	D12/553	D610,964 S	3/2010	Dixon et al. ....	D12/552
D586,728 S	2/2009	Heinen et al. ....	D12/547	D622,657 S	8/2010	Leocadio et al. ....	D12/553
D589,874 S	4/2009	Fontaine et al. ....	D12/564	D635,912 S	4/2011	Knispel .....	D12/564
D591,221 S	4/2009	Fontaine et al. ....	D12/563	D638,350 S	5/2011	Knispel .....	D12/564
D592,588 S	5/2009	Heinen et al. ....	D12/564	D640,184 S	6/2011	de Briey-Terlinden .....	D12/553
D595,639 S	7/2009	de Briey-Terlinden .....	D12/553	D640,966 S	7/2011	Fontaine et al. ....	D12/564
				D641,305 S	7/2011	de Briey-Terlinden .....	D12/547
				D647,460 S *	10/2011	Takahashi .....	D12/564
				D659,080 S	5/2012	Pons et al. ....	D12/564

\* cited by examiner



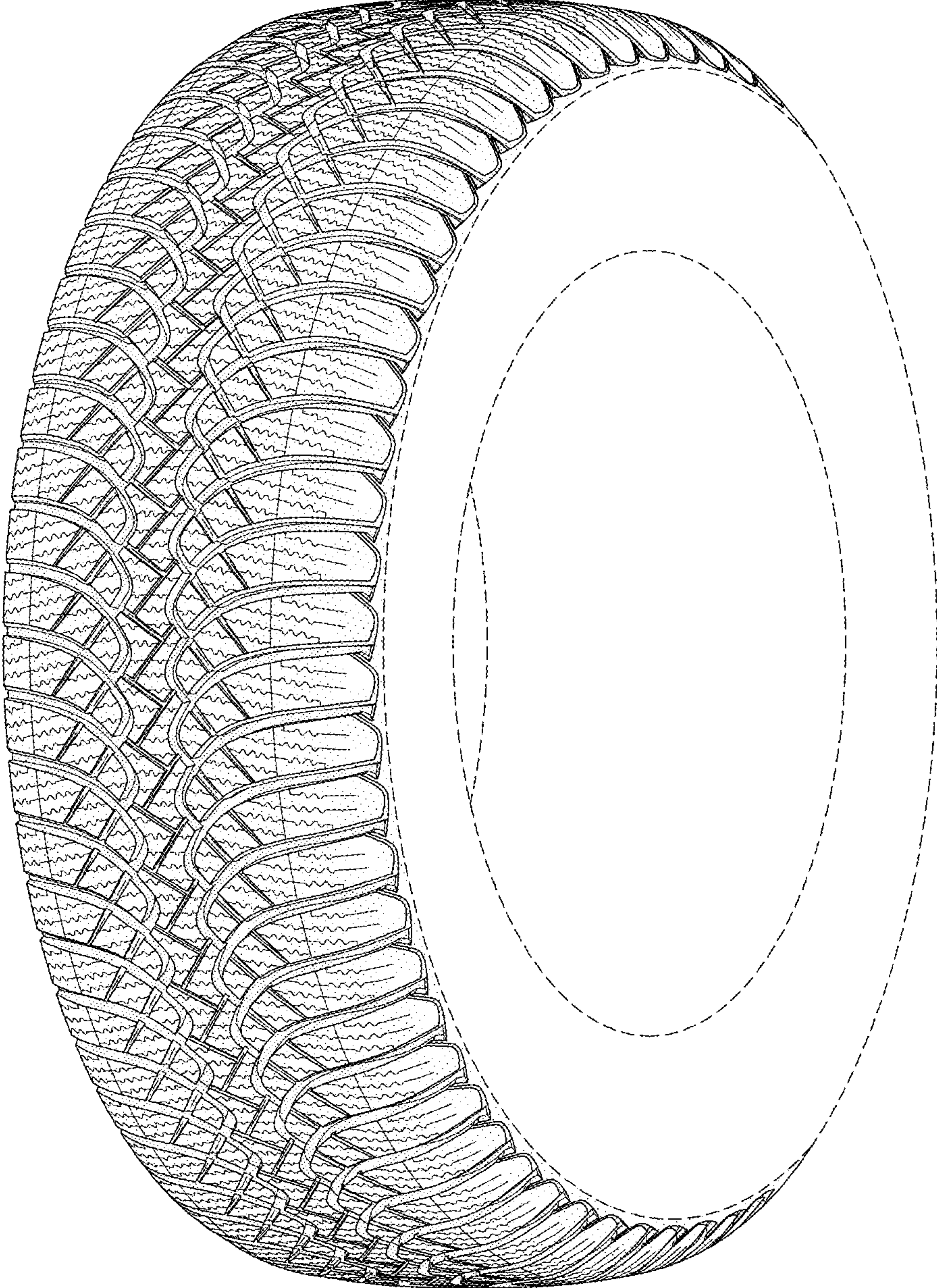


FIG-1



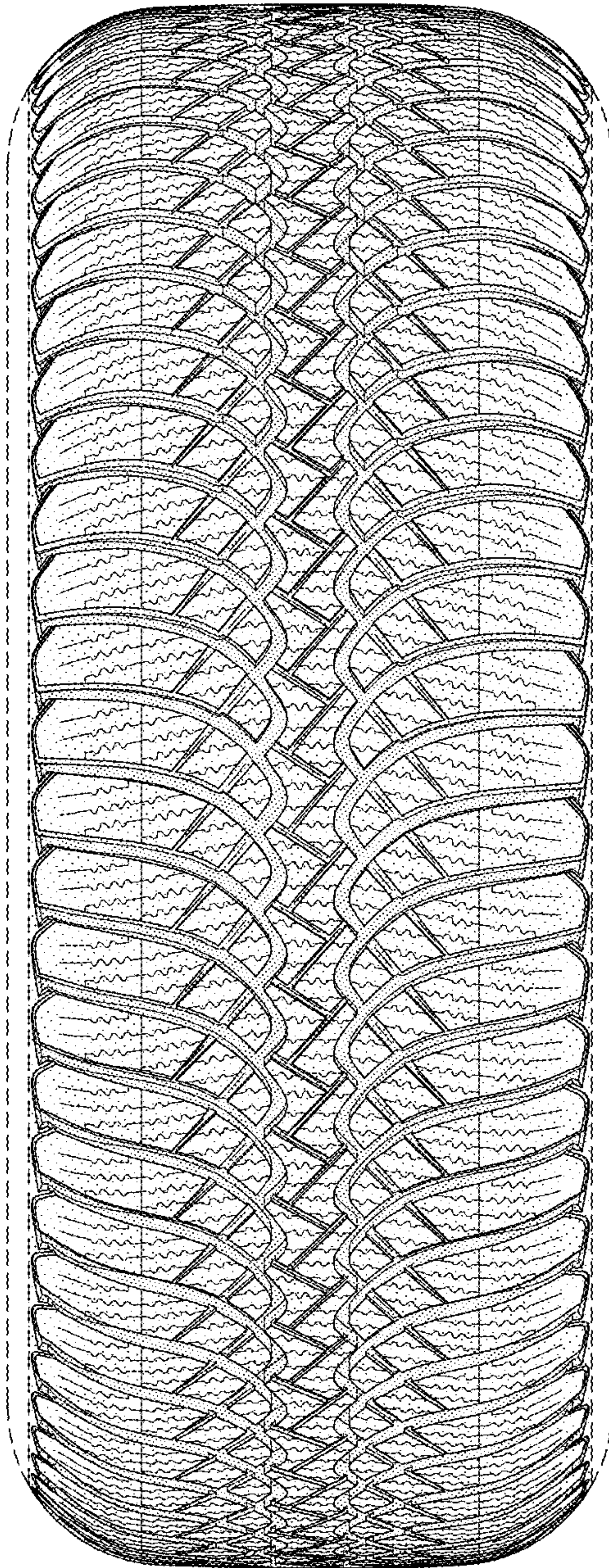


FIG-2

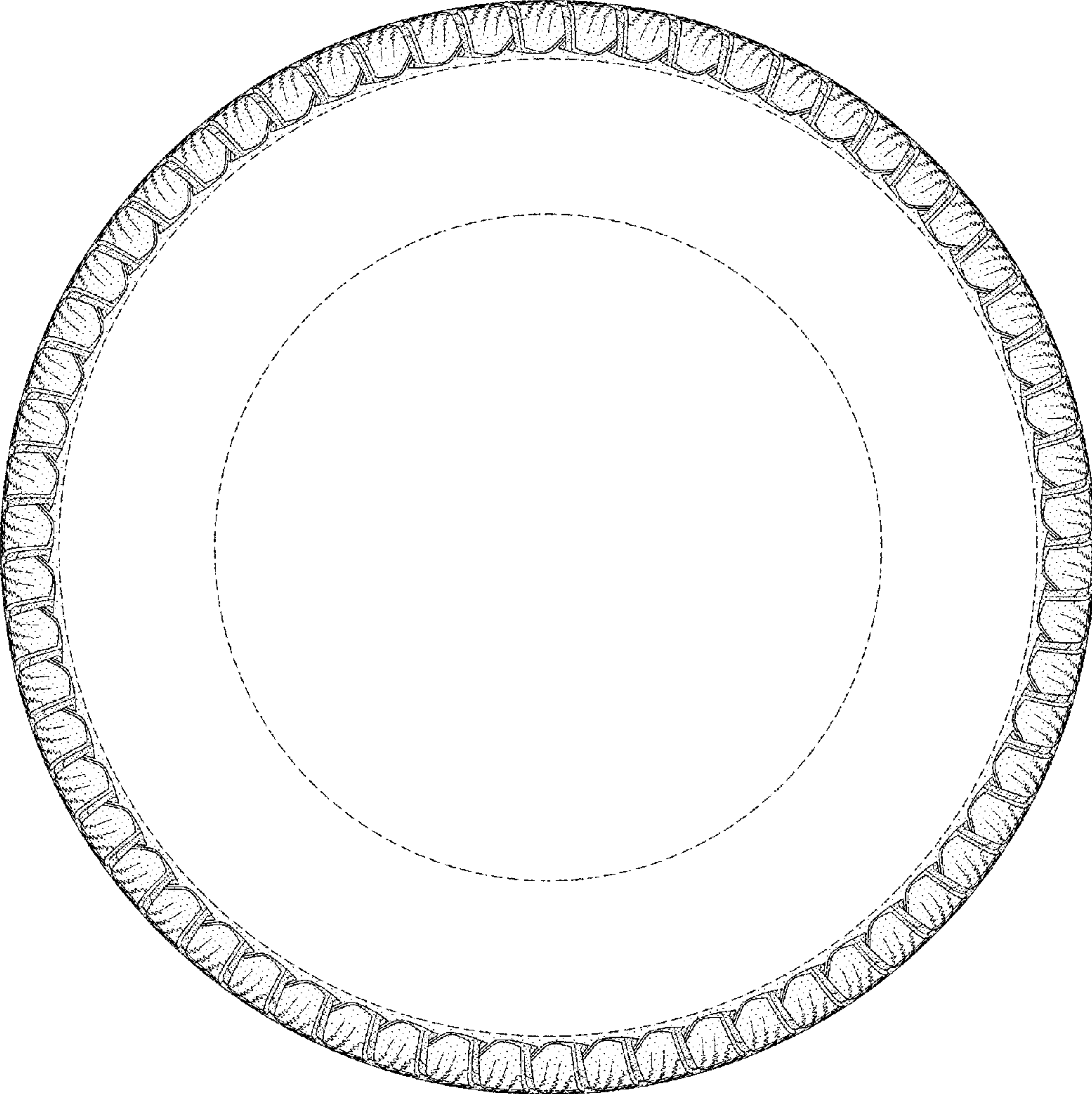


FIG-3



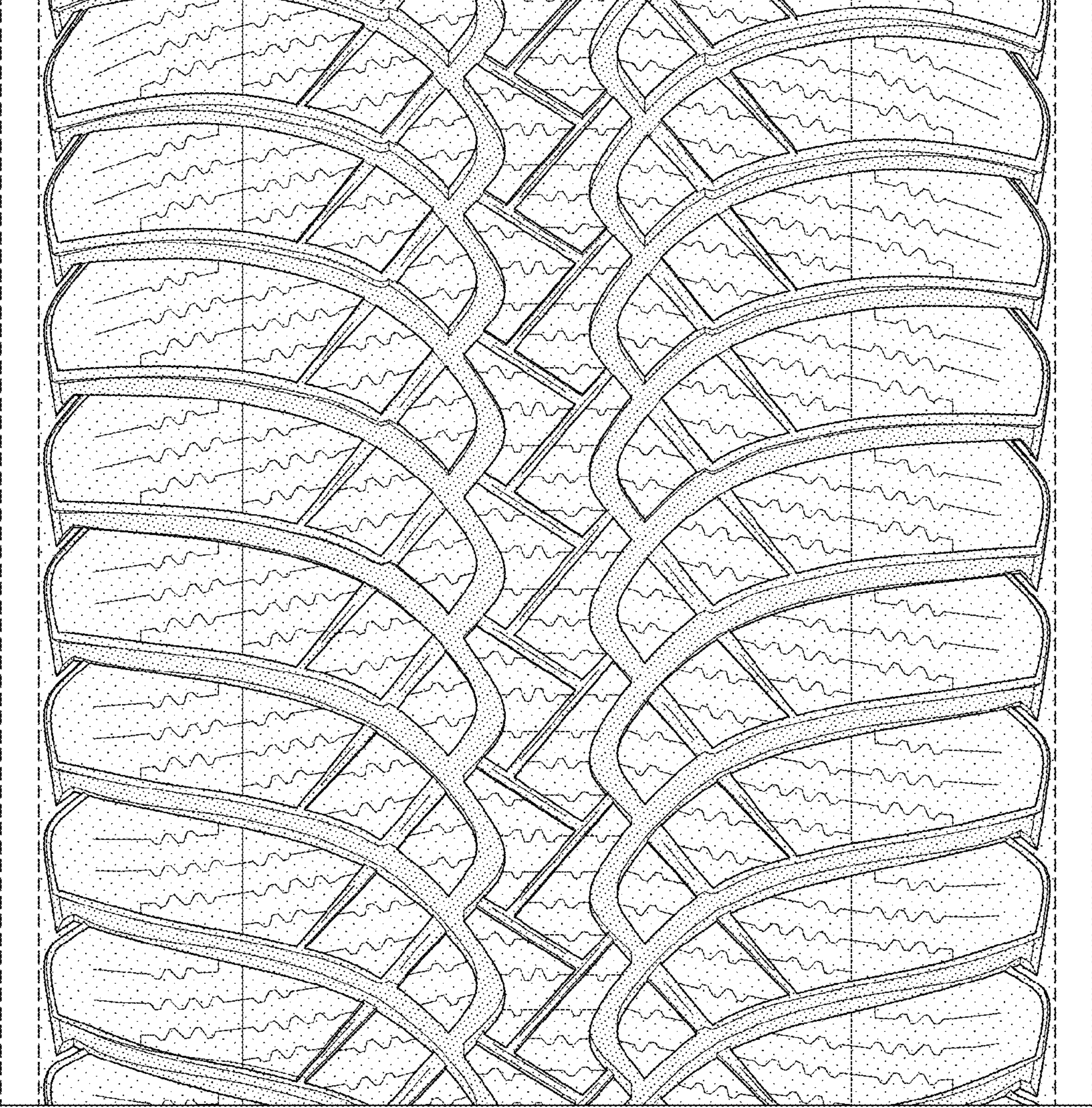


FIG-4



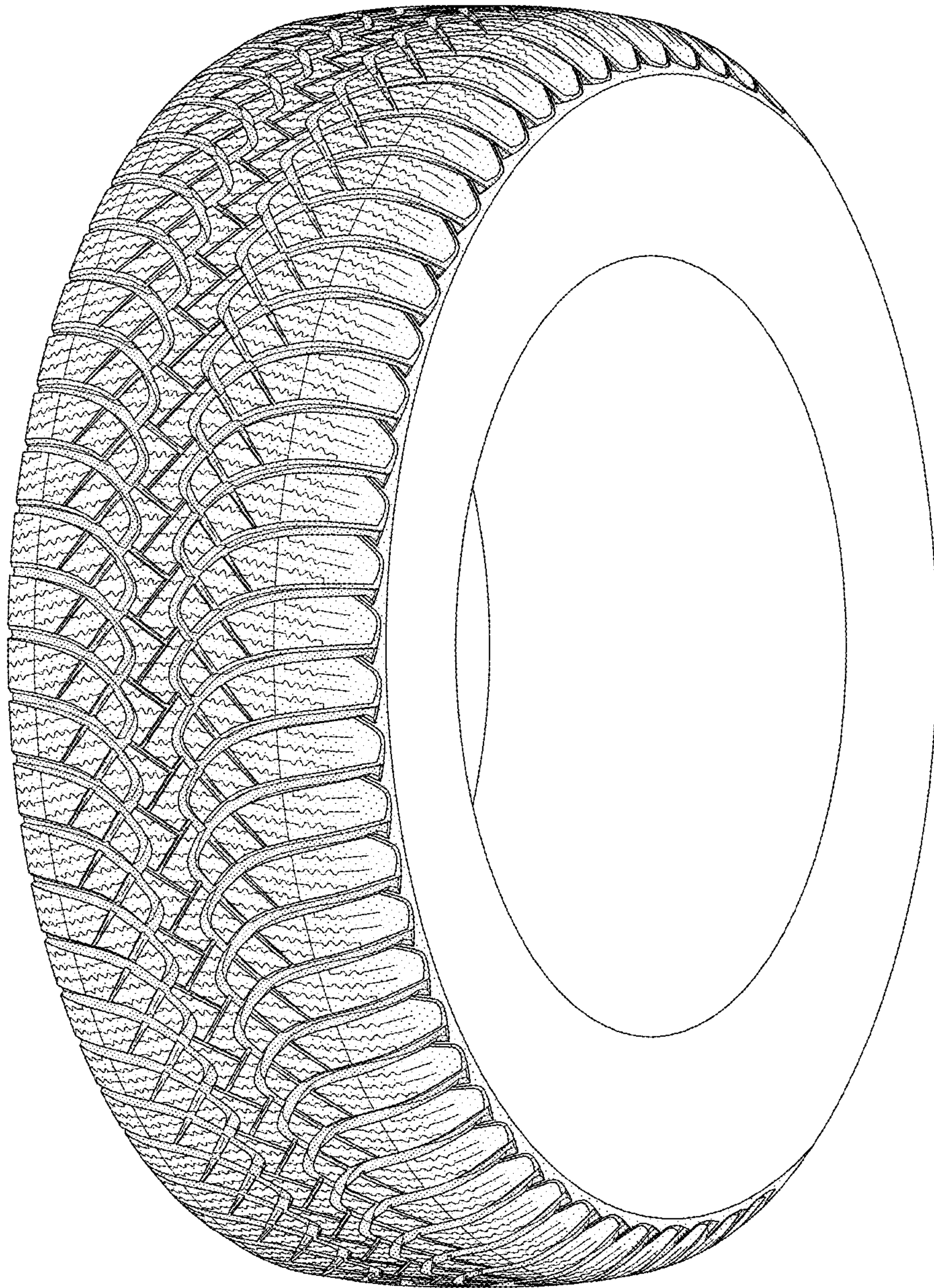


FIG-5



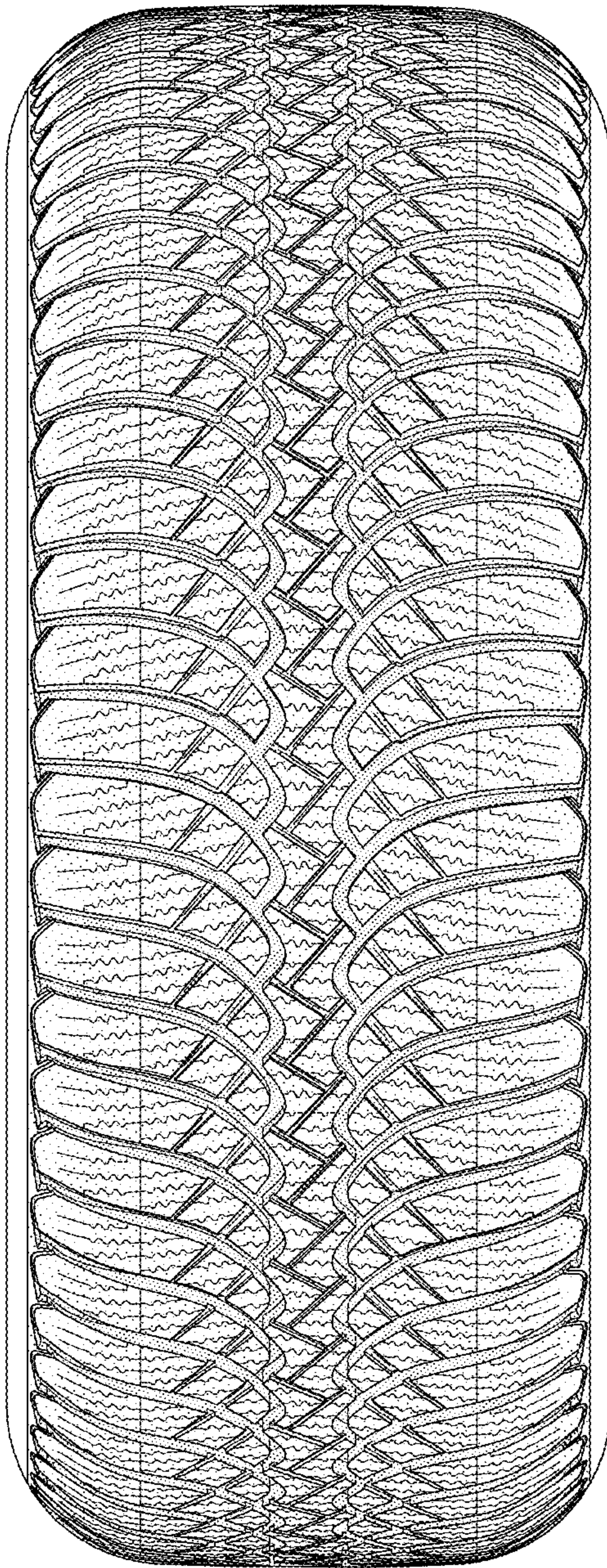


FIG-6