



US00D715726S

(12) **United States Design Patent**  
**Curts**

(10) **Patent No.:** **US D715,726 S**

(45) **Date of Patent:** **\*\* Oct. 21, 2014**

(54) **DETACHABLE COVER FOR A BOW AREA OF A BOAT**

(71) Applicant: **MasterCraft Boat Company, LLC**,  
Vonore, TN (US)

(72) Inventor: **Chadrick Curts**, Lenoir City, TN (US)

(73) Assignee: **MasterCraft Boat Company, LLC**,  
Vonore, TN (US)

(\*\*) Term: **14 Years**

(21) Appl. No.: **29/481,559**

(22) Filed: **Feb. 7, 2014**

(51) **LOC (10) Cl.** ..... **12-06**

(52) **U.S. Cl.**  
USPC ..... **D12/317; D12/401**

(58) **Field of Classification Search**  
USPC ..... D12/317, 318, 401; 114/201 R, 343,  
114/361, 363, 364

See application file for complete search history.

(56) **References Cited**

**U.S. PATENT DOCUMENTS**

3,438,073	A	4/1969	Brown	
D221,699	S *	8/1971	Milne	D12/317
D221,700	S *	8/1971	Milne	D12/317
3,810,266	A *	5/1974	Iller	114/361
3,834,340	A *	9/1974	Thorpe	114/201 R
4,092,754	A	6/1978	Yost	
D250,523	S *	12/1978	MacIntyre	D12/317
4,763,598	A	8/1988	Spencer	
4,922,849	A	5/1990	Wills	
4,960,066	A *	10/1990	Wills	114/361

D331,384	S *	12/1992	Smith	D12/318
5,894,812	A	4/1999	Dessingue	
D445,394	S *	7/2001	Wesson	D12/318
6,497,192	B2	12/2002	Fecht	
6,945,190	B1	9/2005	Frandsen	
7,107,927	B2	9/2006	Hopper et al.	
7,121,218	B2	10/2006	Stinson et al.	
7,341,018	B2 *	3/2008	Greenberg et al.	114/363
2006/0027157	A1 *	2/2006	Caruso	114/361
2006/0231010	A1 *	10/2006	Baylor	114/361

\* cited by examiner

*Primary Examiner* — Cynthia M Chin

(74) *Attorney, Agent, or Firm* — Fitzpatrick, Cella, Harper & Scinto

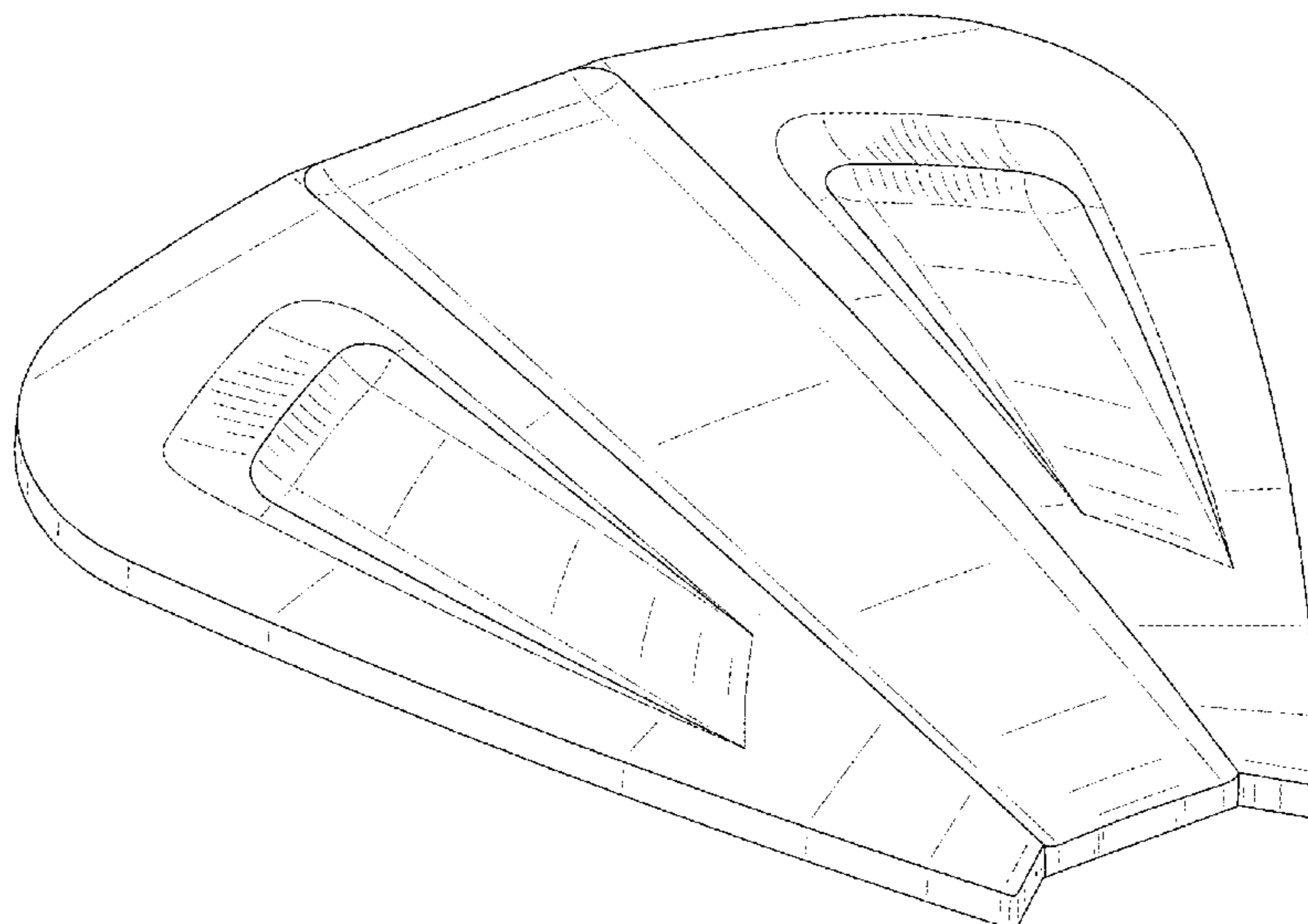
(57) **CLAIM**

The ornamental design for a detachable cover for a bow area of a boat, as shown and described.

**DESCRIPTION**

FIG. 1 is a perspective view of the detachable cover.  
 FIG. 2 is a front elevational view of the detachable cover.  
 FIG. 3 is a rear elevational view of the detachable cover.  
 FIG. 4 is a left (starboard) side elevation view of the detachable cover, with the right (port) side view (not shown) being a mirror image of the left (starboard) side view.  
 FIG. 5 is a top view of the detachable cover; and,  
 FIG. 6 is a perspective view of a boat with the detachable cover installed over a bow seating area of the boat.  
 The broken lines shown are included for the purpose of illustrating the environment in which the article resides and form no part of the claimed design.

**1 Claim, 4 Drawing Sheets**



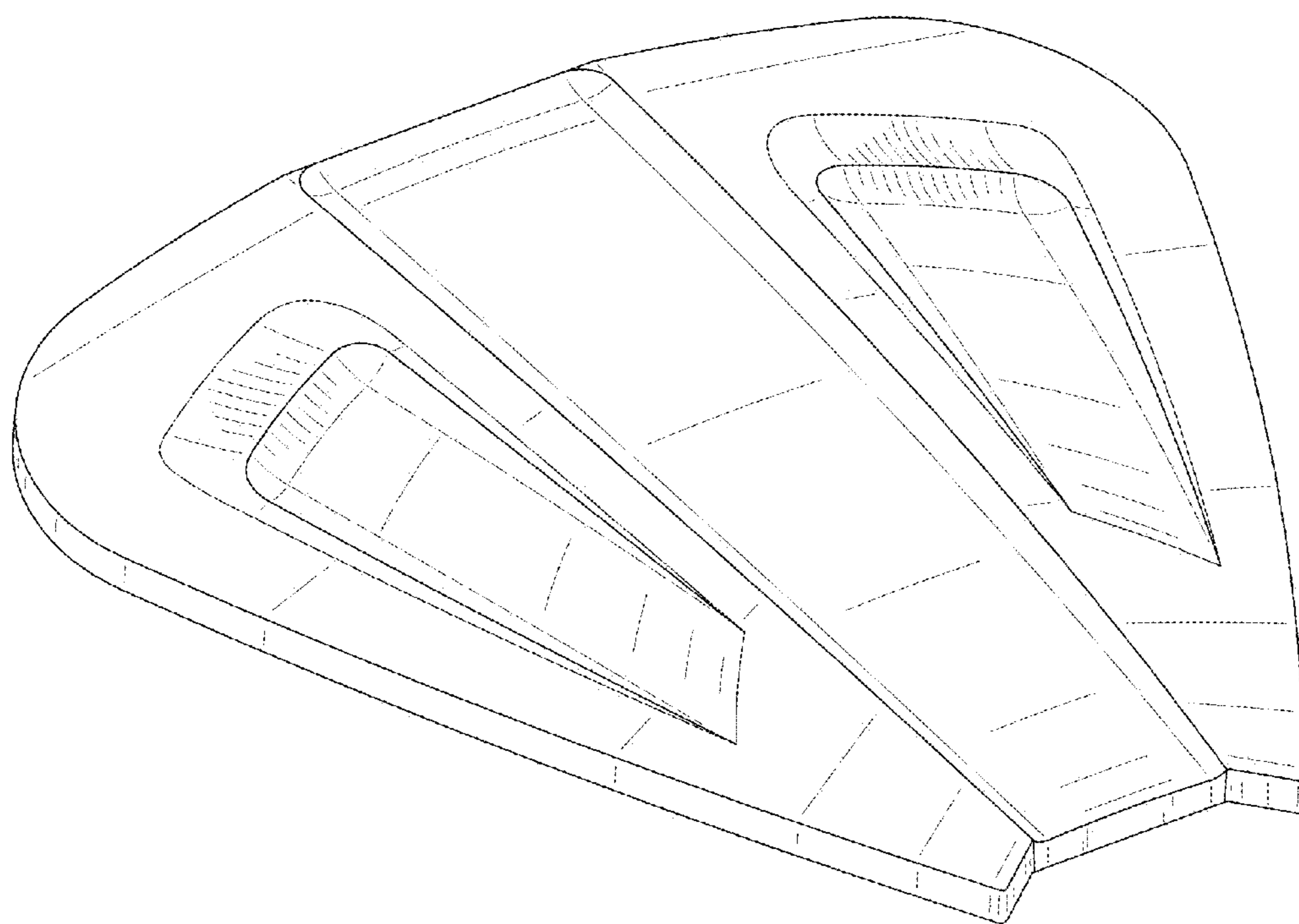


FIG. 1

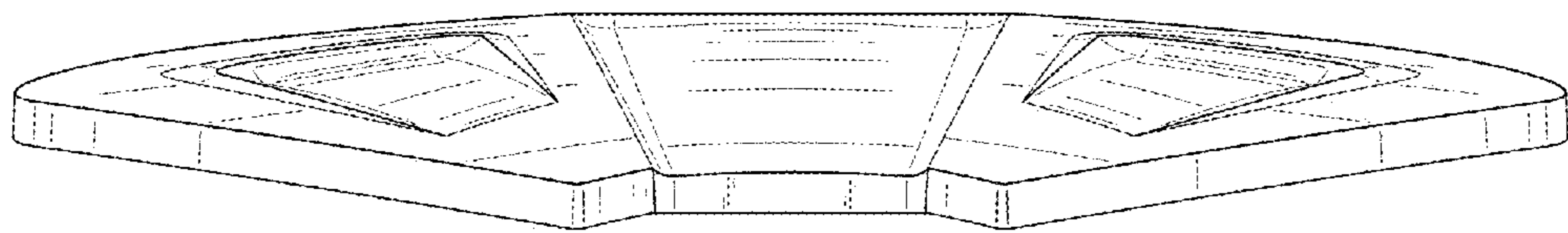


FIG. 2

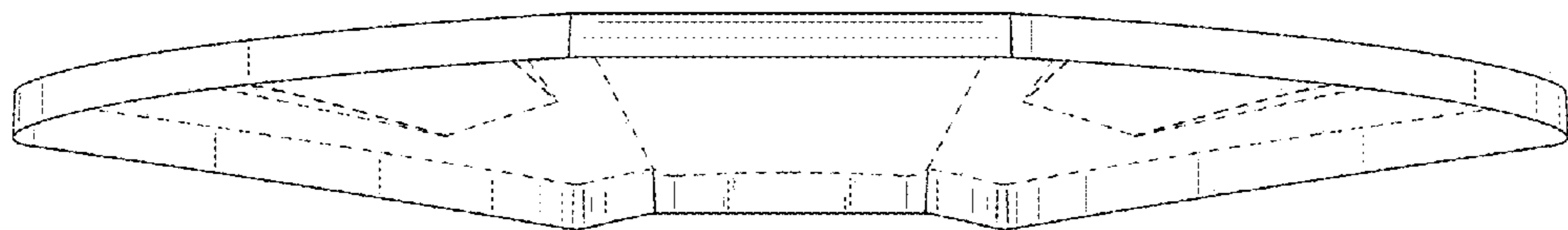


FIG. 3

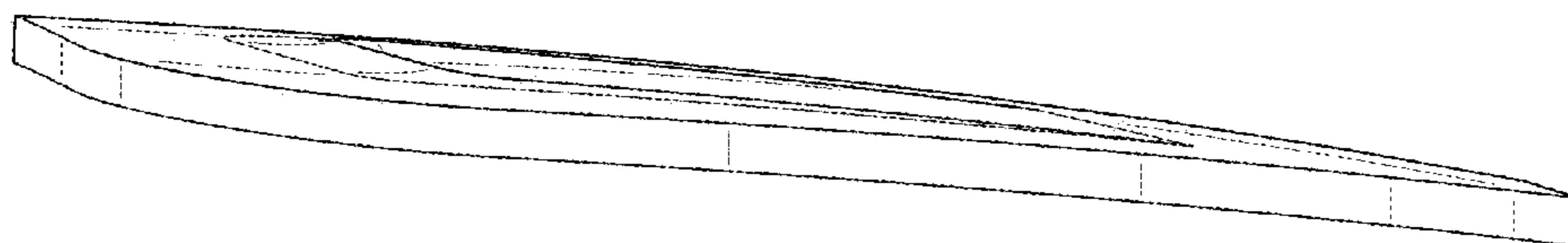


FIG. 4

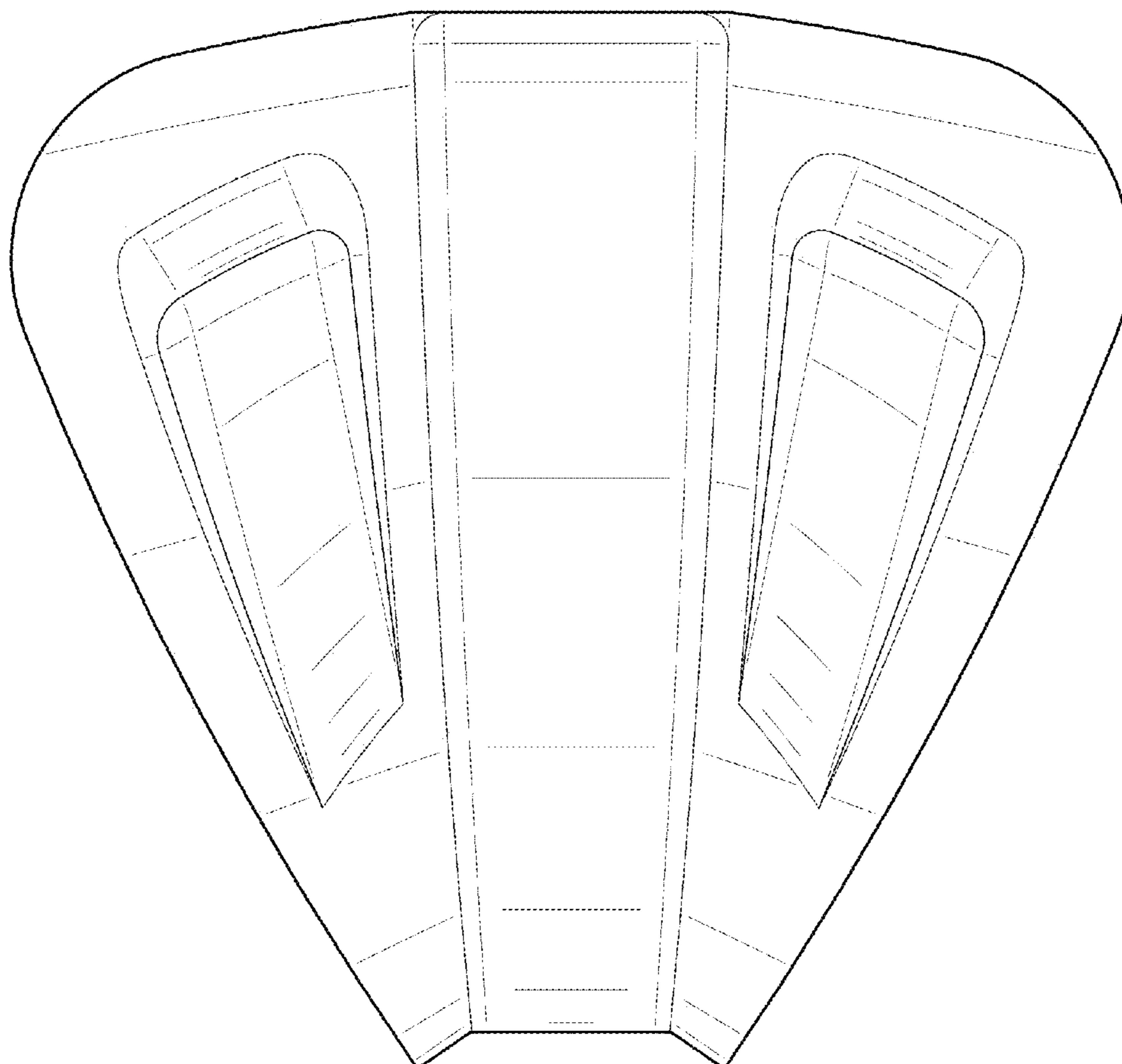


FIG. 5

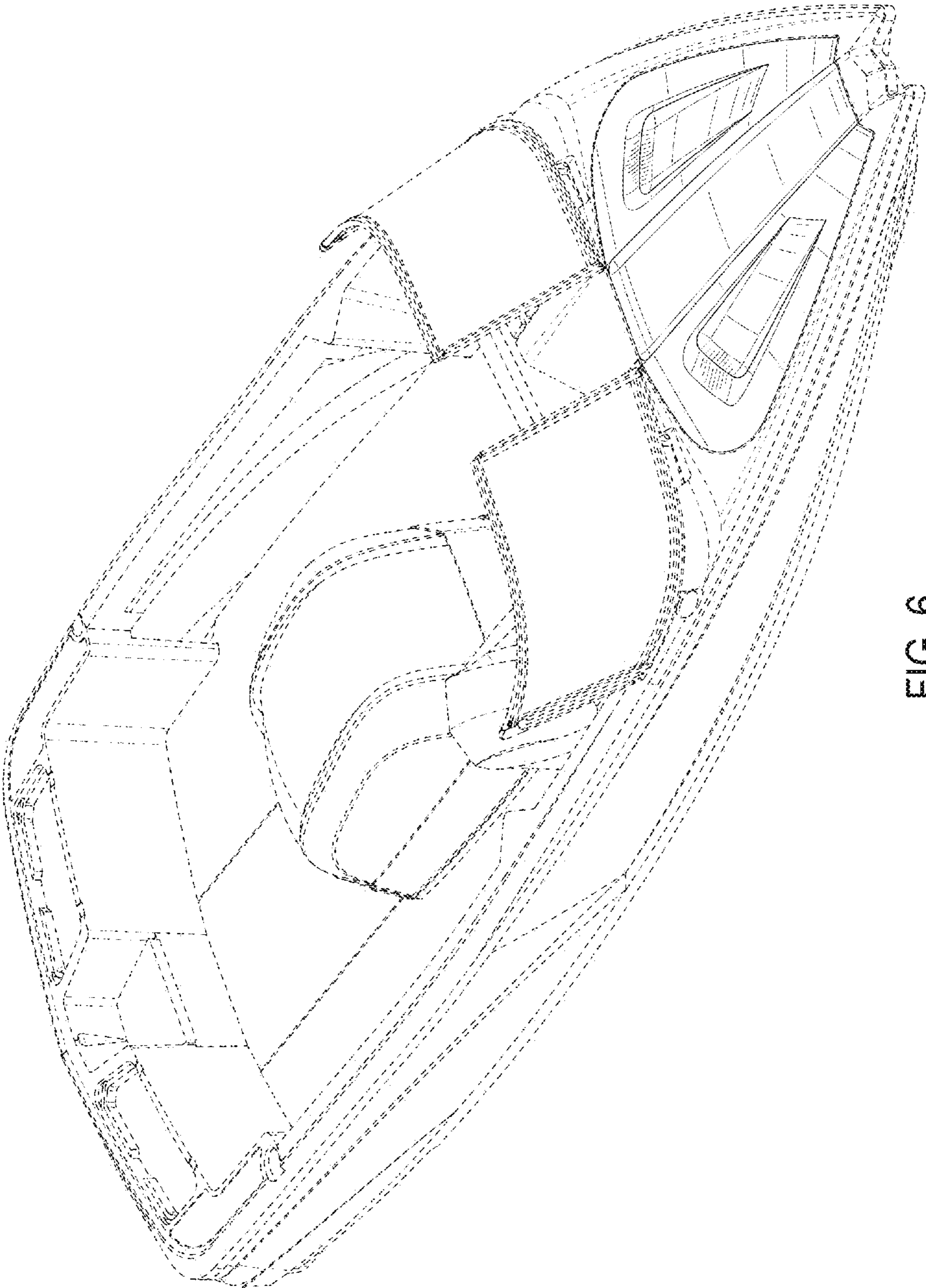


FIG. 6