



US00D715724S

(12) **United States Design Patent**
Chung

(10) **Patent No.:** **US D715,724 S**

(45) **Date of Patent:** **** Oct. 21, 2014**

(54) **AUTOMOTIVE WHEEL**

(71) Applicant: **Suny Chung**, Anaheim, CA (US)

(72) Inventor: **Suny Chung**, Anaheim, CA (US)

(**) Term: **14 Years**

(21) Appl. No.: **29/485,435**

(22) Filed: **Mar. 19, 2014**

(51) **LOC (10) Cl.** **12-16**

(52) **U.S. Cl.**
USPC **D12/211**

(58) **Field of Classification Search**
CPC B60B 7/00; B60B 7/02; B60B 7/04;
B60B 7/01; B60B 7/06; B60B 1/00; B60B
1/08; B60B 1/10; B60B 1/12; B60B 3/02;
B60B 3/04; B60B 3/06; B60B 3/10
USPC D12/204-213
See application file for complete search history.

(56) **References Cited**

U.S. PATENT DOCUMENTS

D629,347 S * 12/2010 Kim D12/211
D639,222 S * 6/2011 Johnson D12/209

D659,067 S * 5/2012 Lee D12/209
D659,069 S * 5/2012 Johnson D12/211
D669,009 S * 10/2012 Chung D12/211
D681,534 S * 5/2013 Zhao D12/211
D691,937 S * 10/2013 Chan D12/209
D695,201 S * 12/2013 Zhao D12/211
D698,300 S * 1/2014 Chung D12/211
D699,173 S * 2/2014 Zhao D12/211
D706,697 S * 6/2014 Chung D12/209
D706,702 S * 6/2014 Chung D12/211
D709,020 S * 7/2014 Chung D12/211

* cited by examiner

Primary Examiner — Stacia Cadmus

(57) **CLAIM**

The ornamental design for an automotive wheel, as shown and described.

DESCRIPTION

FIG. 1 is a perspective view of an automotive wheel, showing my new design; and,

FIG. 2 is a front view thereof.

The broken line showing of the rear portion of the wheel is included for the purpose of illustrating environment and forms no part of the claimed design.

1 Claim, 2 Drawing Sheets

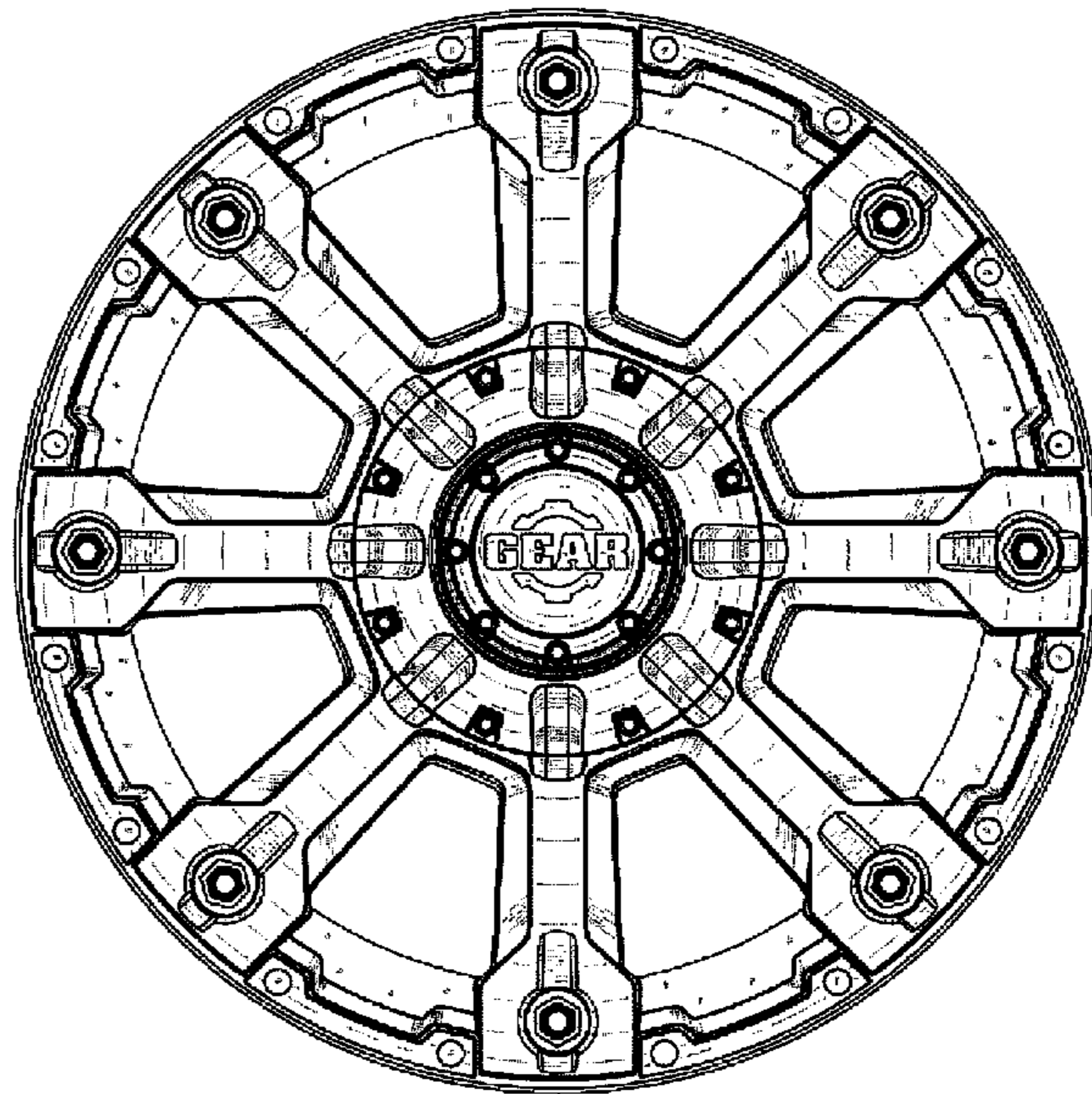
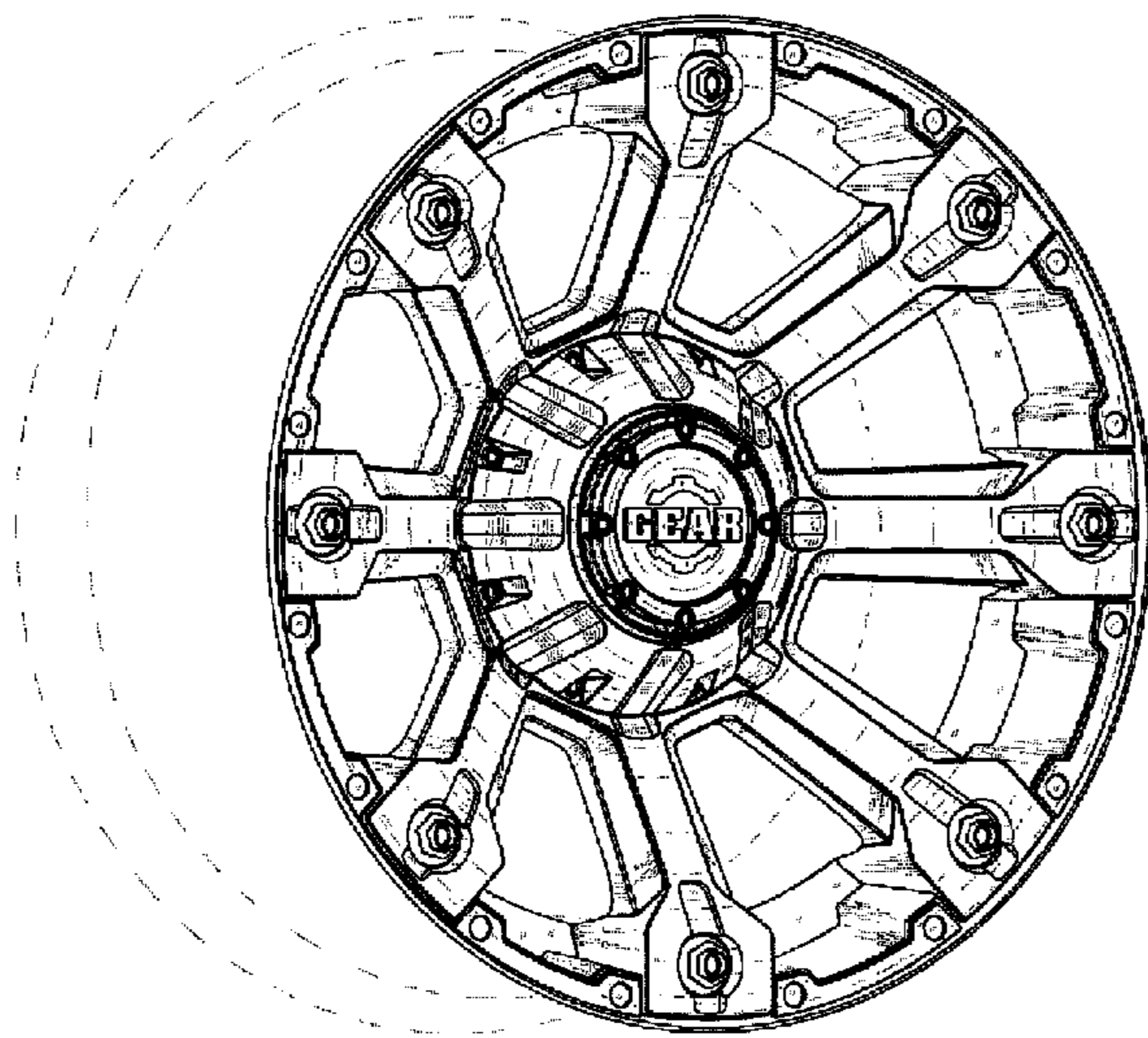


FIGURE 1

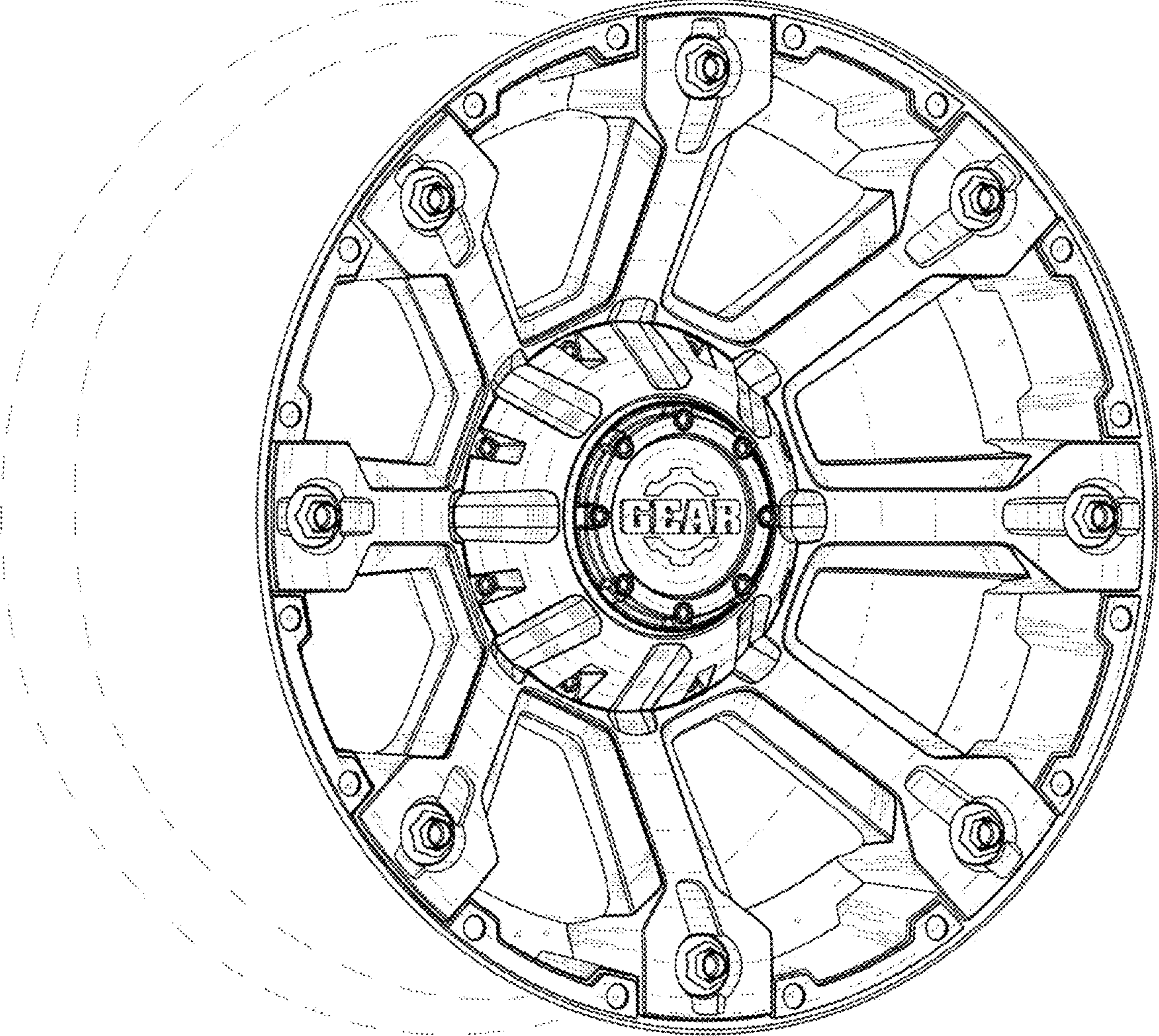


FIGURE 2

