



US00D715722S

(12) **United States Design Patent**  
**Johnson**

(10) **Patent No.:** **US D715,722 S**

(45) **Date of Patent:** **\*\* Oct. 21, 2014**

(54) **AUTOMOTIVE WHEEL**

(56) **References Cited**

(71) Applicant: **Kelly R. Johnson**, City of Industry, CA  
(US)

(72) Inventor: **Kelly R. Johnson**, City of Industry, CA  
(US)

(73) Assignee: **The Wheel Group**, City of Industry, CA  
(US)

(\*\*) Term: **14 Years**

(21) Appl. No.: **29/474,009**

(22) Filed: **May 1, 2014**

(51) **LOC (10) Cl.** ..... **12-16**

(52) **U.S. Cl.**  
USPC ..... **D12/211**

(58) **Field of Classification Search**  
CPC ..... B60B 7/00; B60B 7/02; B60B 7/04;  
B60B 7/01; B60B 7/06; B60B 3/02; B60B  
3/04; B60B 3/06; B60B 3/10; B60B 1/00;  
B60B 1/08; B60B 1/10; B60B 1/12  
USPC ..... D12/204-213  
See application file for complete search history.

U.S. PATENT DOCUMENTS

D456,332 S *	4/2002	Vian .....	D12/211
D471,503 S *	3/2003	Baumgartner .....	D12/211
D582,829 S *	12/2008	Musser .....	D12/211
D625,242 S *	10/2010	Zhao .....	D12/211
D691,543 S *	10/2013	Gordon .....	D12/209
D695,193 S *	12/2013	Kong .....	D12/211
D702,172 S *	4/2014	Chung .....	D12/211
D704,124 S *	5/2014	Hale, Jr. ....	D12/211
D706,196 S *	6/2014	Lee .....	D12/211

\* cited by examiner

*Primary Examiner* — Stacia Cadmus

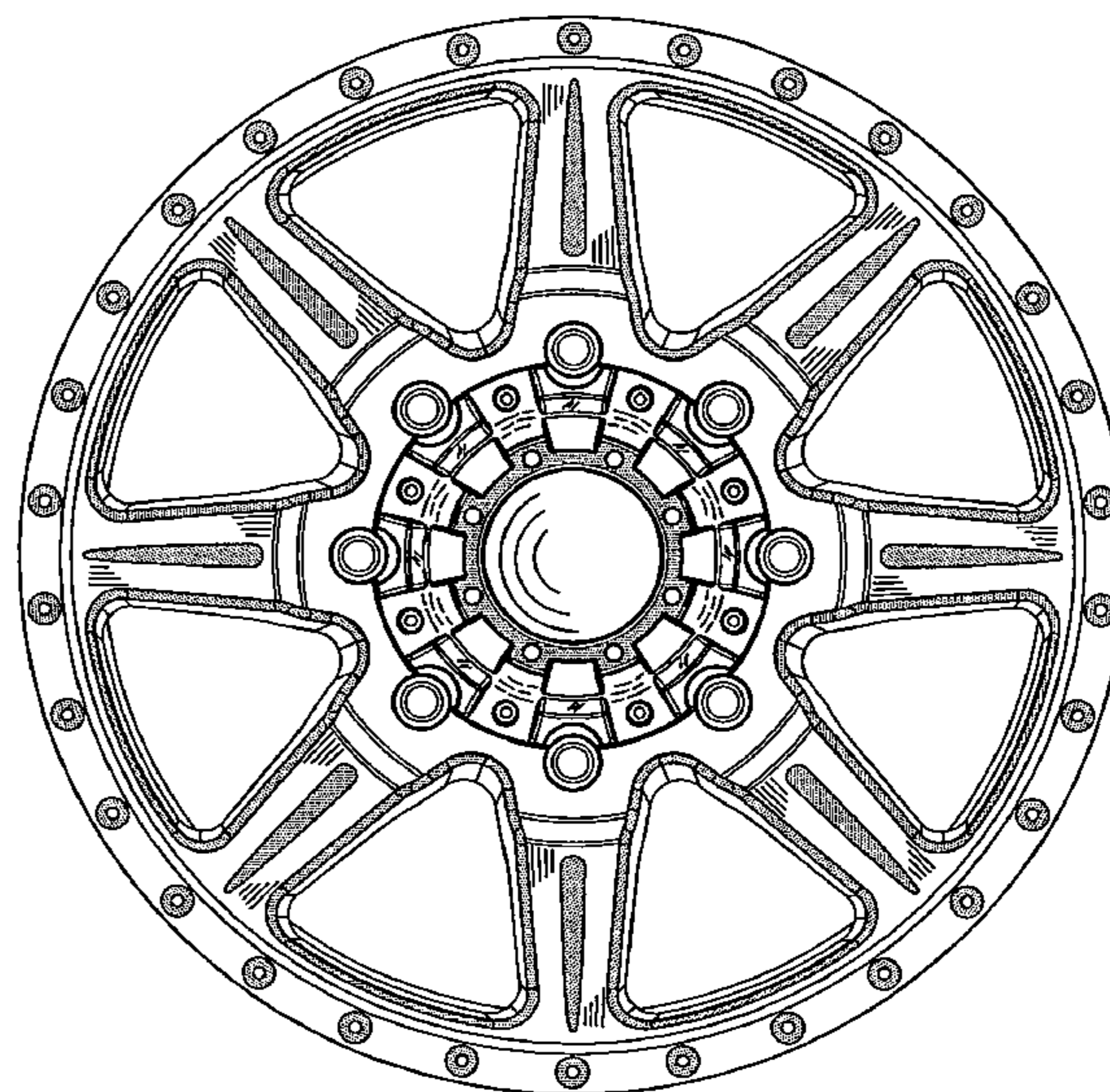
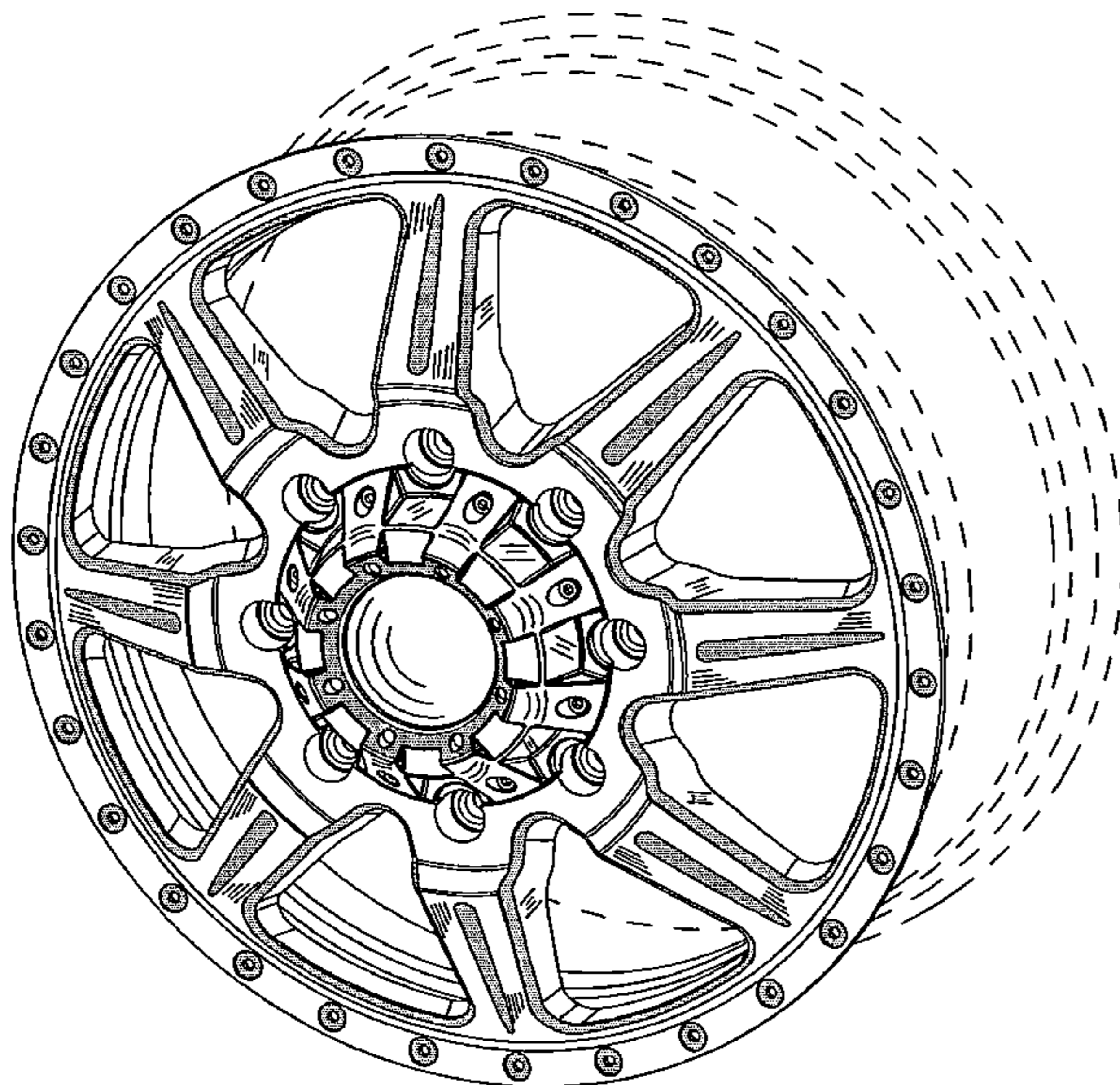
(57) **CLAIM**

The ornamental design for an automotive wheel, as shown and described.

**DESCRIPTION**

FIG. 1 is a perspective view of an automotive wheel front face showing my new design; and, FIG. 2 is a front elevational view thereof. The broken line showing of the rear of the wheel rim is included for the purpose of illustrating environment and forms no part of the claimed design.

**1 Claim, 2 Drawing Sheets**



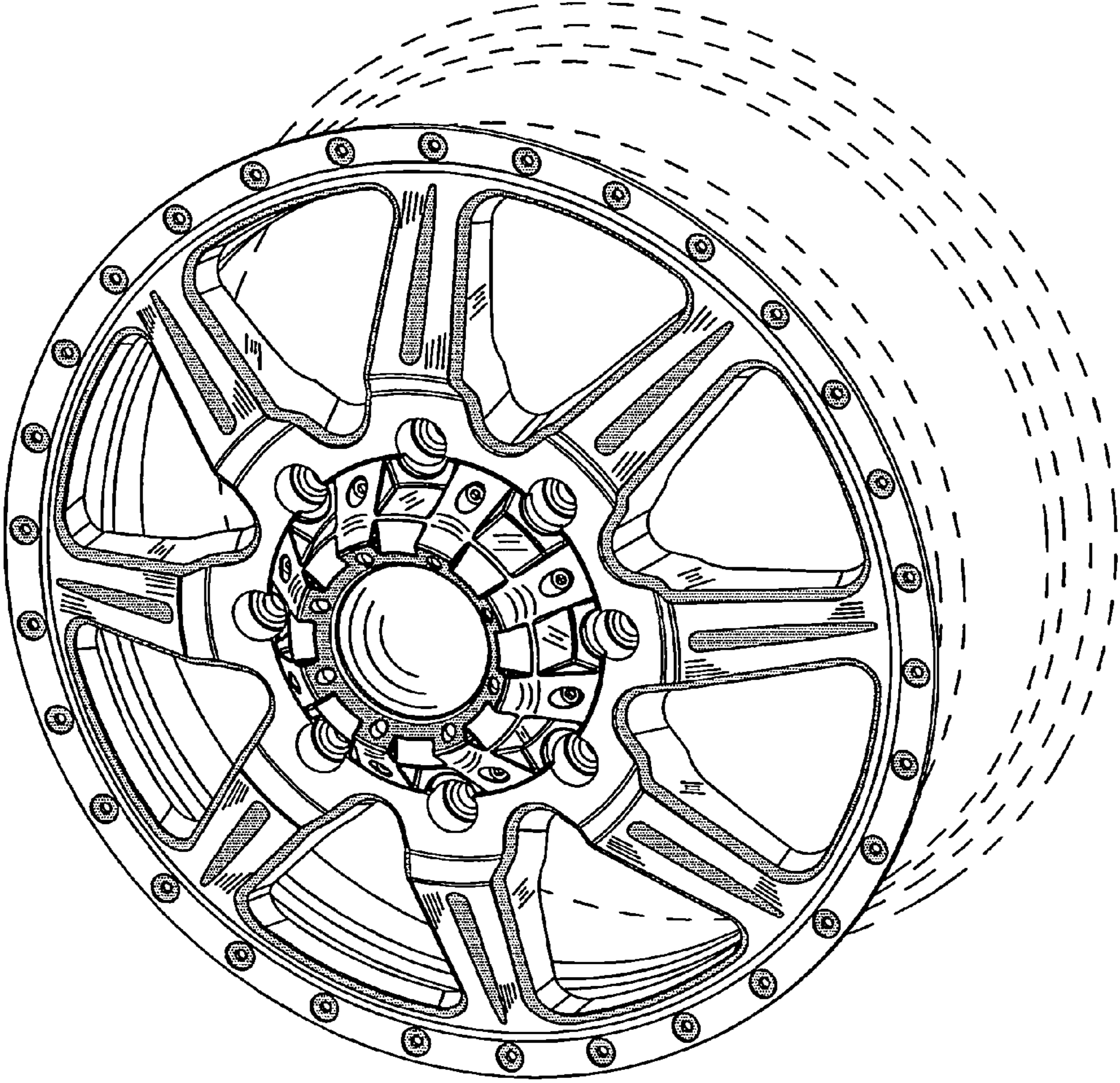


FIG. 1



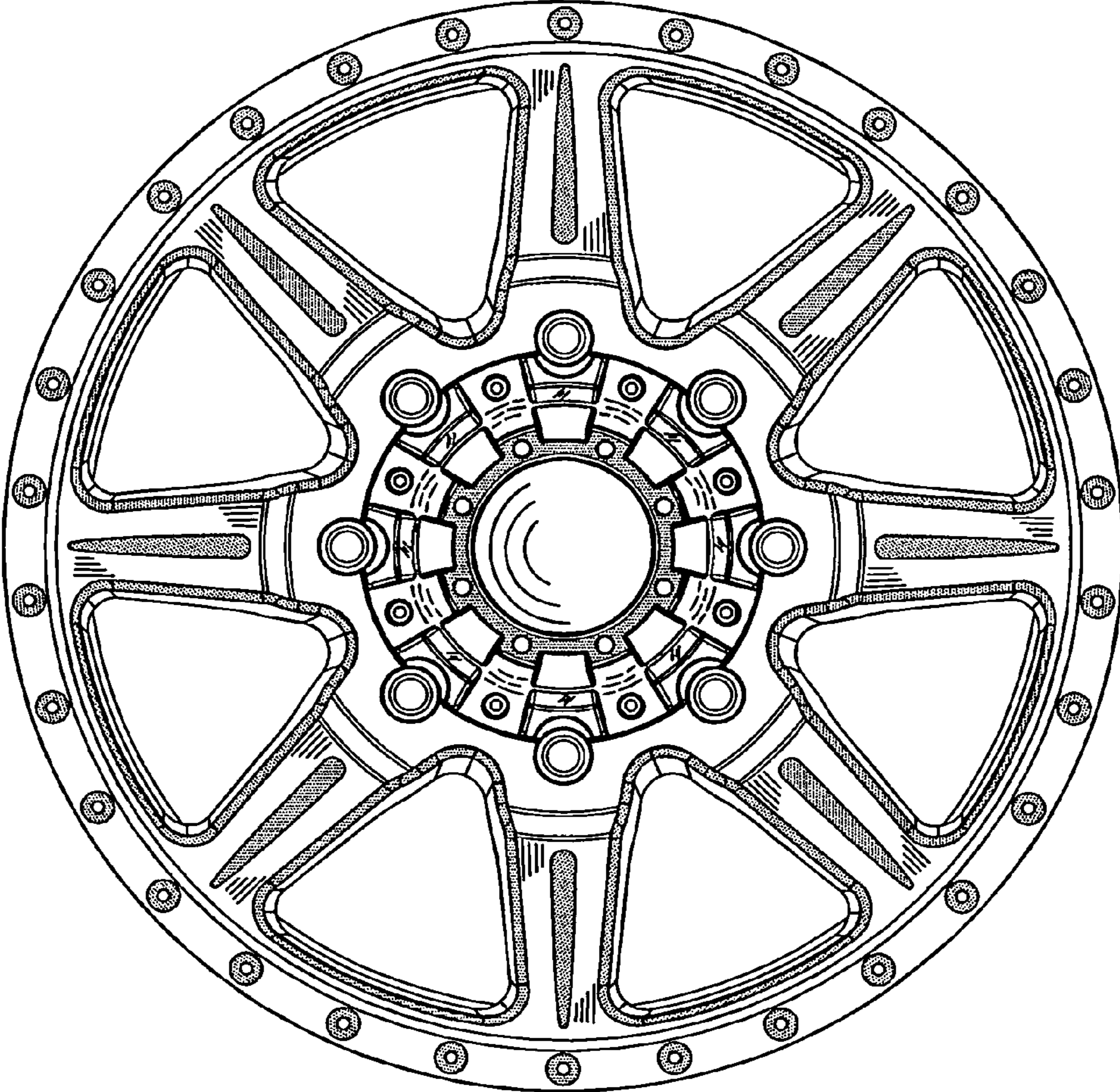


FIG. 2