



US00D715721S

(12) **United States Design Patent**  
**Chung**

(10) **Patent No.:** **US D715,721 S**

(45) **Date of Patent:** **\*\* Oct. 21, 2014**

(54) **WHEEL**

(71) Applicant: **Wheel Pros, LLC**, Lakewood, CO (US)

(72) Inventor: **Suny Chung**, Yorba Linda, CA (US)

(73) Assignee: **Wheel Pros, LLC**, Greenwood Village, CO (US)

(\*\*) Term: **14 Years**

(21) Appl. No.: **29/448,585**

(22) Filed: **Mar. 13, 2013**

(51) **LOC (10) Cl.** ..... **12-16**

(52) **U.S. Cl.**  
USPC ..... **D12/211**

(58) **Field of Classification Search**  
USPC ..... D12/204-213; 301/37.101, 64.101, 65,  
301/64.201

See application file for complete search history.

(56) **References Cited**

**U.S. PATENT DOCUMENTS**

D344,924 S \* 3/1994 Braungart et al. .... D12/211  
D414,454 S \* 9/1999 Chung ..... D12/211

D457,119 S \* 5/2002 Braun et al. .... D12/211  
D560,589 S \* 1/2008 Celik ..... D12/211  
D617,253 S \* 6/2010 Zhao ..... D12/211  
D638,766 S \* 5/2011 Hilpert ..... D12/211  
D655,233 S \* 3/2012 Alfonso ..... D12/211  
D657,297 S \* 4/2012 Johnson ..... D12/211  
D659,063 S \* 5/2012 Johnson ..... D12/209  
D671,483 S \* 11/2012 Chung ..... D12/211  
D695,196 S \* 12/2013 Zane ..... D12/211  
D704,122 S \* 5/2014 Chung ..... D12/211

\* cited by examiner

*Primary Examiner* — Stacia Cadmus

(74) *Attorney, Agent, or Firm* — Garcia-Zamor IP Law; Ruy M. Garcia-Zamor

(57) **CLAIM**

The ornamental design for a wheel, as shown and described.

**DESCRIPTION**

FIG. 1 is a perspective view of a wheel showing my new design; and, FIG. 2 is a front elevational view of the wheel of FIG. 1, those features not shown in the views of FIGS. 1 and 2 are disclaimed as forming no part of the claimed design.

**1 Claim, 2 Drawing Sheets**

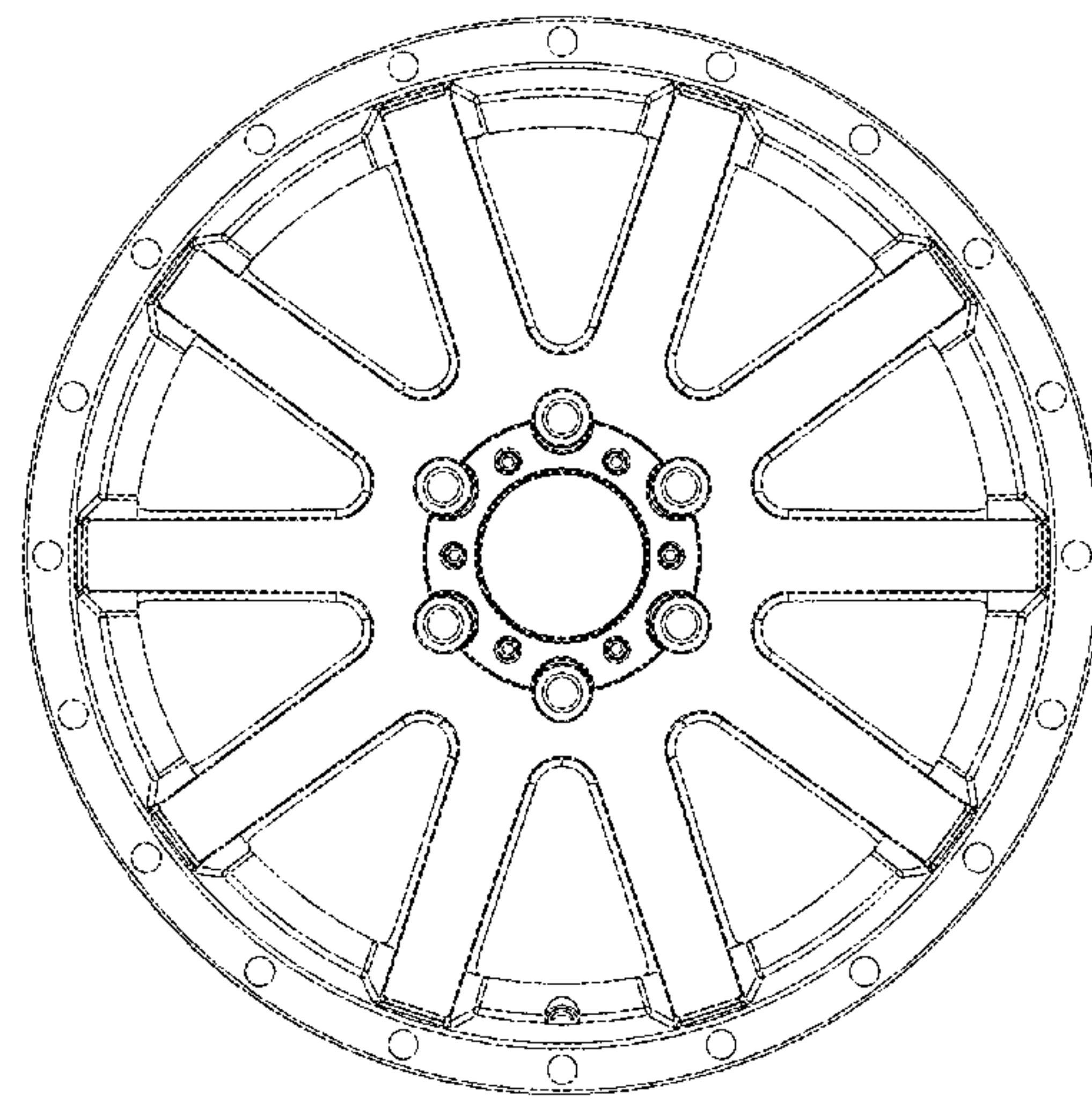
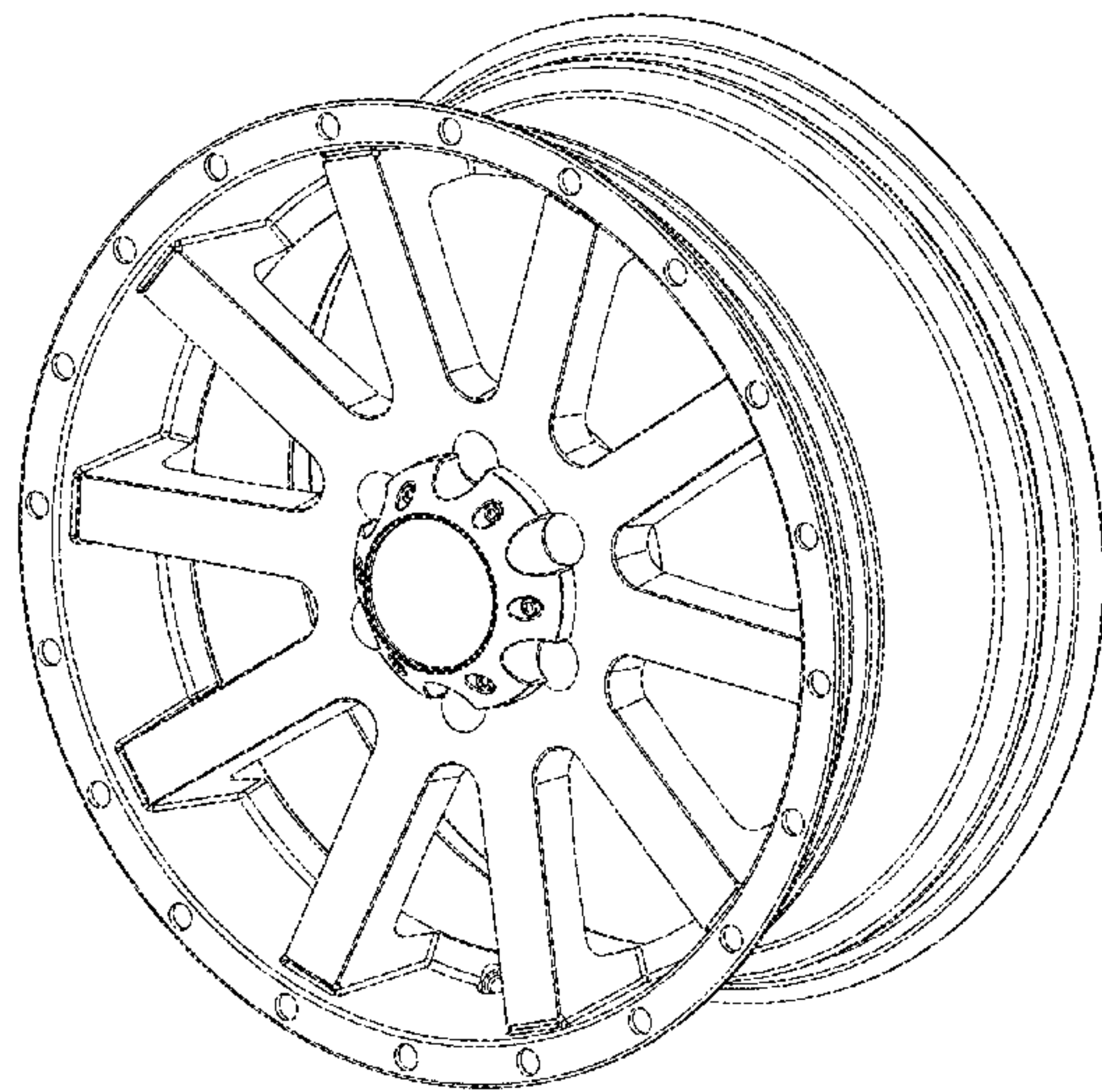




FIG. 1



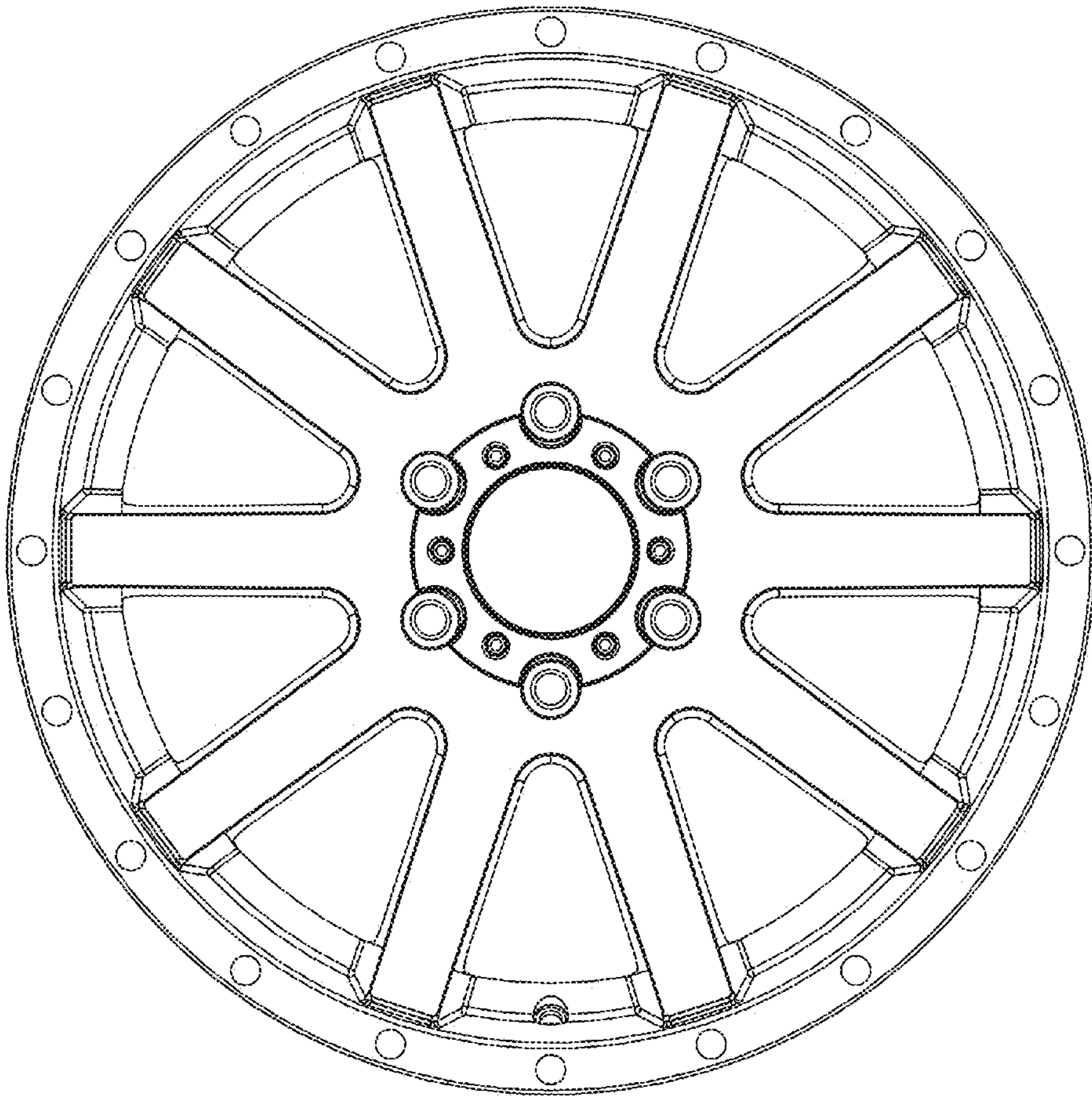


FIG. 2