



US00D715720S

(12) **United States Design Patent**
Ender

(10) **Patent No.:** **US D715,720 S**

(45) **Date of Patent:** **** Oct. 21, 2014**

- (54) **WHEEL OR WHEEL COVER**
- (71) Applicant: **Bayerische Motoren Werke Aktiengesellschaft, Munich (DE)**
- (72) Inventor: **Christian Ender, Harthofen (DE)**
- (73) Assignee: **Bayerische Motoren Werke Aktiengesellschaft, Munich (DE)**

D539,724 S *	4/2007	Muzzarelli	D12/211
D560,585 S *	1/2008	Blasi	D12/209
D567,735 S *	4/2008	Young	D12/209
D606,921 S *	12/2009	Thorsten	D12/211
D620,862 S *	8/2010	Pollmann	D12/209
D649,102 S *	11/2011	Gallert	D12/211
D649,103 S *	11/2011	Gallert	D12/211
D673,099 S *	12/2012	Ender	D12/211
D675,143 S *	1/2013	Gebert et al.	D12/209
D689,421 S *	9/2013	Wachter	D12/211

- (**) Term: **14 Years**
- (21) Appl. No.: **29/438,325**
- (22) Filed: **Nov. 29, 2012**

FOREIGN PATENT DOCUMENTS

EM	001036552-0004	11/2009
EM	001658154-0001	5/2010
GB	2085714	8/1999
GB	3006608	8/2002

- (30) **Foreign Application Priority Data**
- May 31, 2012 (DE) 40 2012 100 406
- (51) **LOC (10) Cl.** **12-16**
- (52) **U.S. Cl.**
- USPC **D12/211**
- (58) **Field of Classification Search**
- USPC D12/204-213; 301/37.101, 64.101, 65, 301/64.201
- See application file for complete search history.

* cited by examiner

Primary Examiner — Stacia Cadmus
(74) *Attorney, Agent, or Firm* — Crowell & Moring LLP

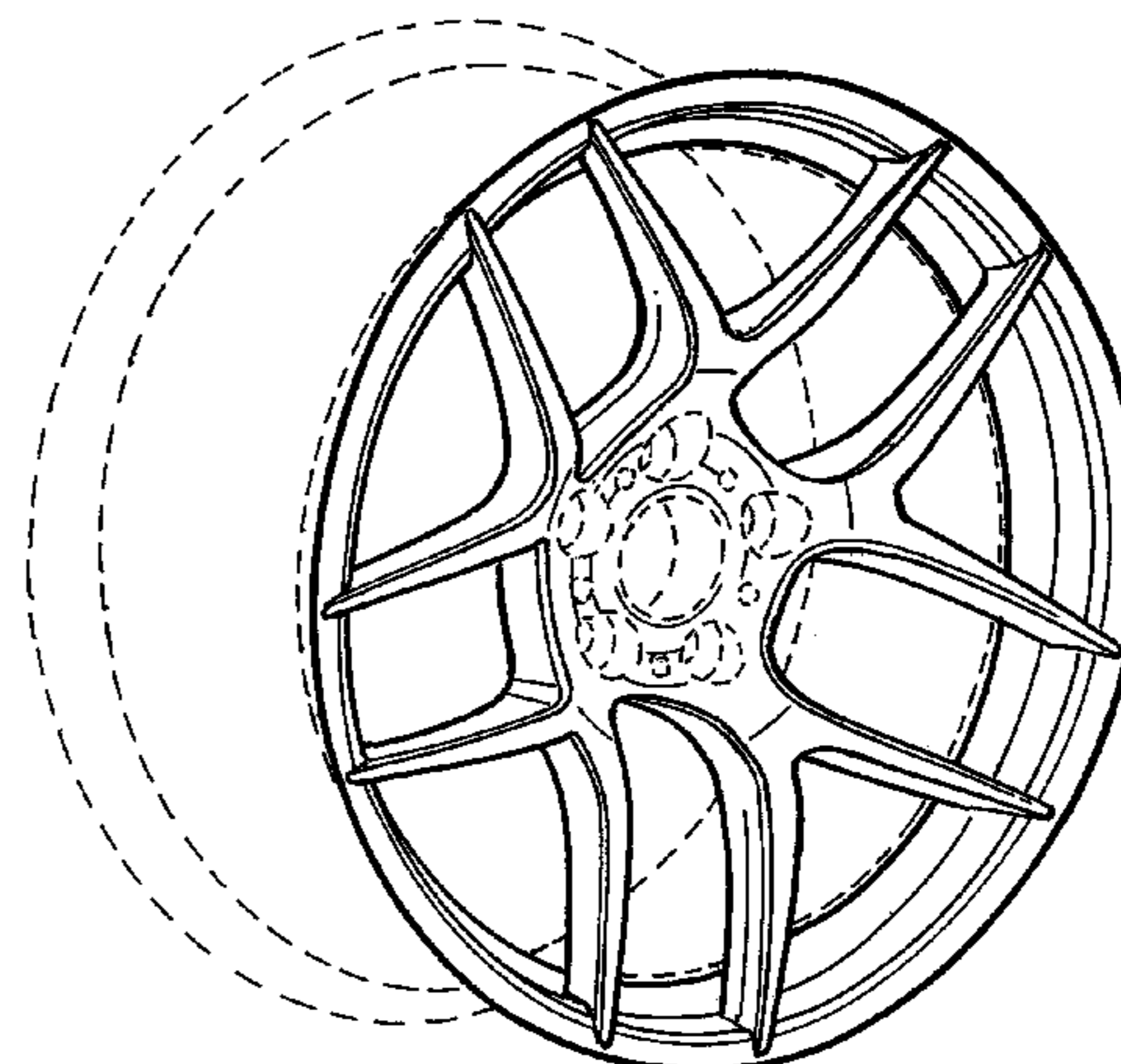
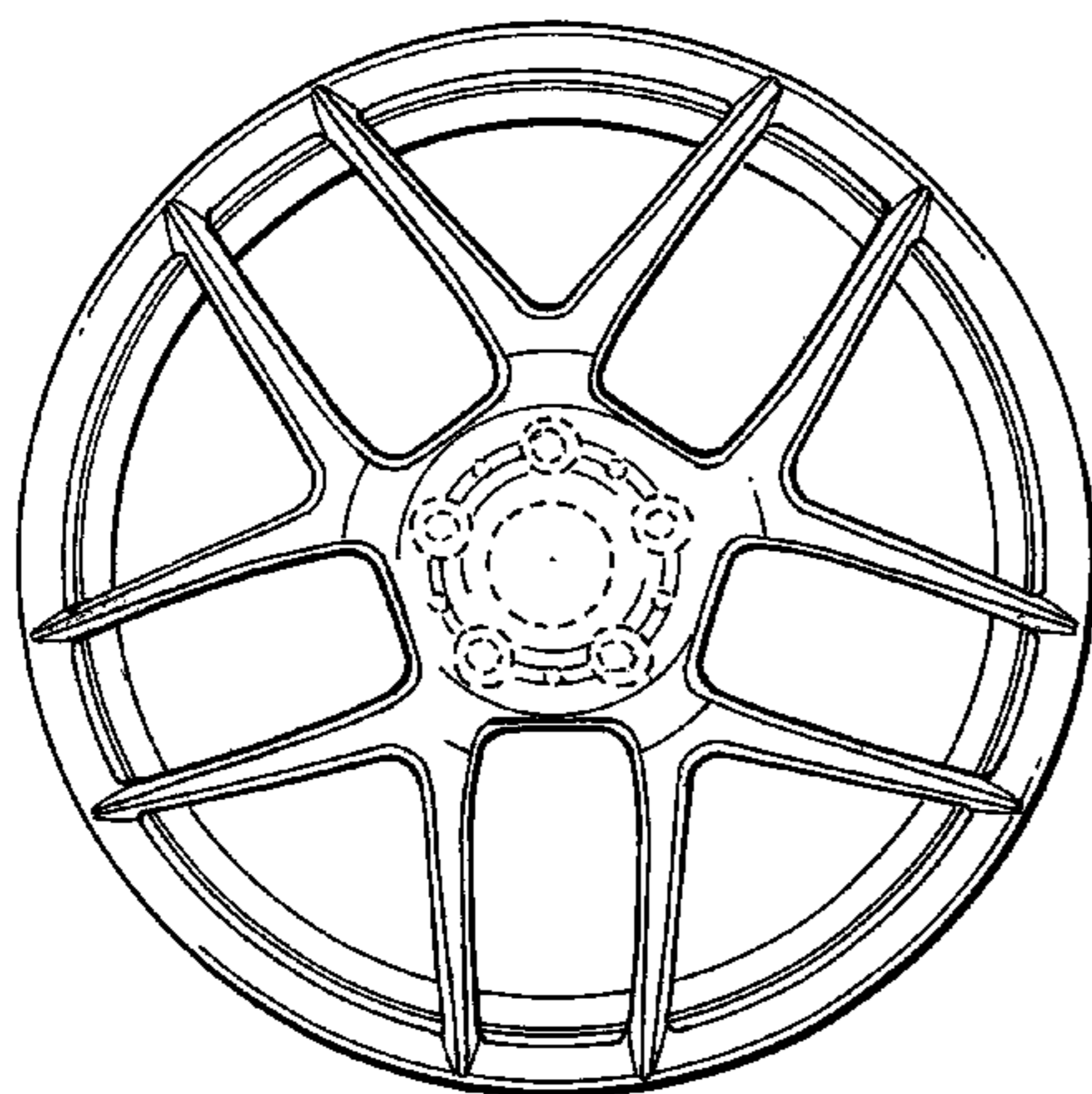
(57) **CLAIM**
The ornamental design for a wheel or wheel cover, as shown and described.

DESCRIPTION

FIG. 1 is a front view of a wheel or wheel cover according to the design; and,
FIG. 2 is a perspective view thereof.
The broken line showing of the rear of the wheel and the bolt holes and the center cap in the central hub area is included for the purpose of illustrating environment and forms no part of the claimed design.

- (56) **References Cited**
- U.S. PATENT DOCUMENTS**
- D417,646 S * 12/1999 Baumgartner D12/211
- D427,558 S * 7/2000 Neeper D12/211
- D457,478 S * 5/2002 Minamisawa D12/211
- D533,825 S * 12/2006 Baumgartner D12/211

1 Claim, 1 Drawing Sheet



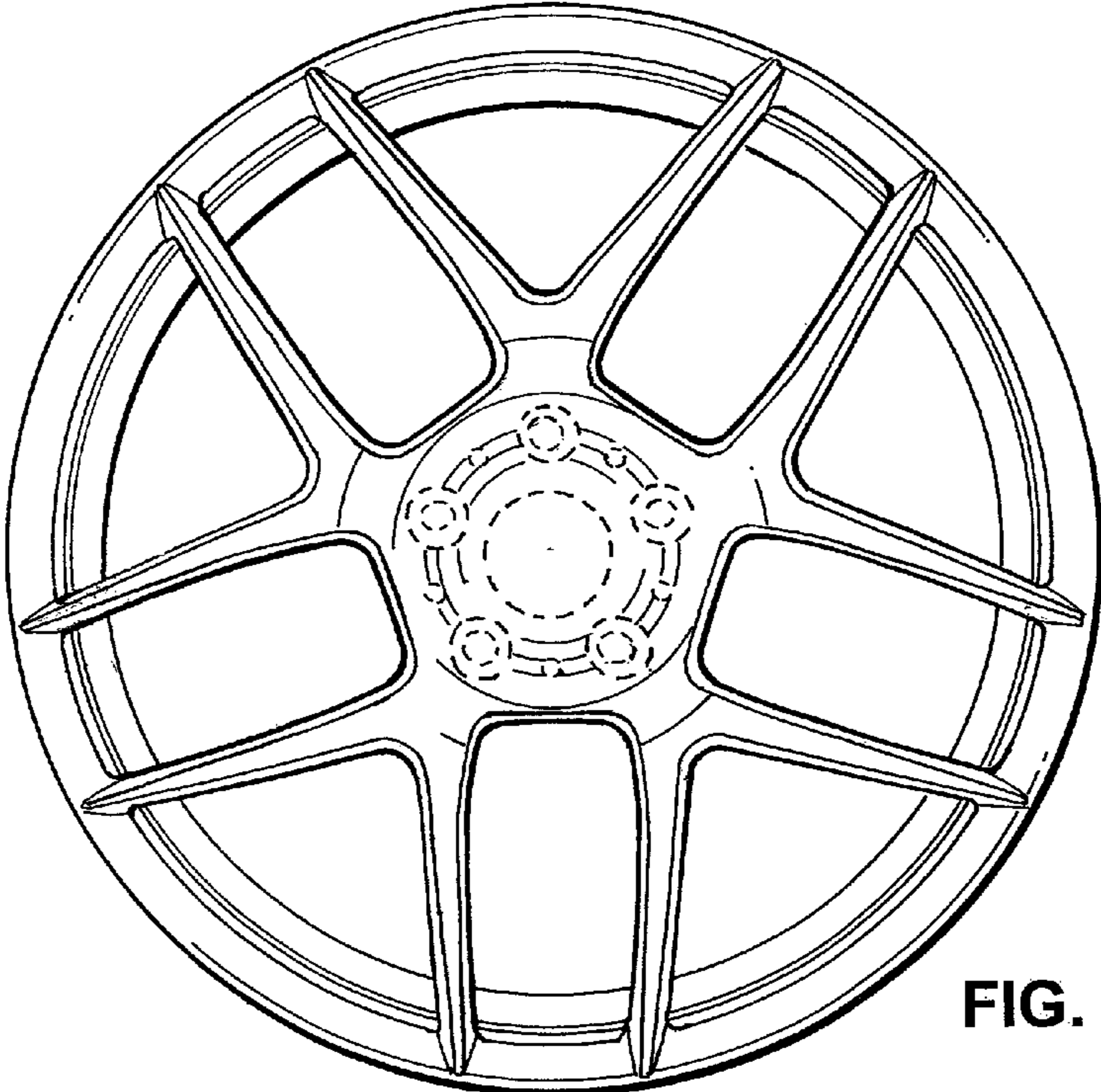


FIG. 1

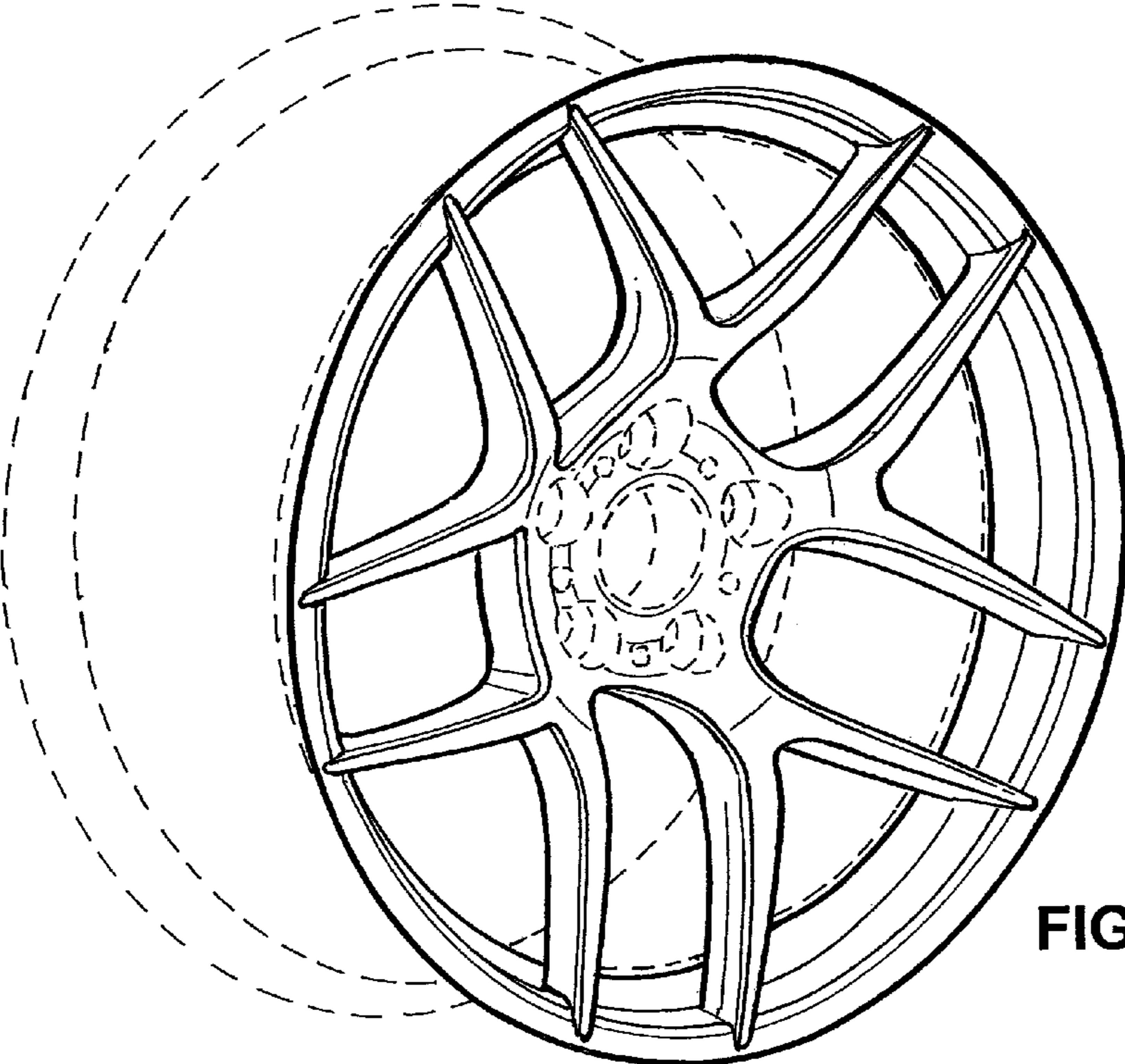


FIG. 2