



US00D715718S

(12) **United States Design Patent**
Gotschke et al.

(10) **Patent No.:** **US D715,718 S**
(45) **Date of Patent:** **** Oct. 21, 2014**

(54) **VEHICLE WHEEL**

(71) Applicant: **Ford Motor Company**, Dearborn, MI
(US)

(72) Inventors: **Wolfgang Gotschke**, Cologne (DE);
Ulrike Kolb, Cologne (DE)

(73) Assignee: **Ford Motor Company**, Dearborn, MI
(US)

(**) Term: **14 Years**

(21) Appl. No.: **29/482,051**

(22) Filed: **Feb. 13, 2014**

(51) **LOC (10) Cl.** **12-16**

(52) **U.S. Cl.**
USPC **D12/209**

(58) **Field of Classification Search**
CPC B60B 7/00; B60B 7/02; B60B 7/04;
B60B 7/01; B60B 7/06; B60B 3/02; B60B
3/04; B60B 3/06; B60B 3/10; B60B 1/00;
B60B 1/08; B60B 1/10; B60B 1/12
USPC D12/204–213
See application file for complete search history.

(56) **References Cited**

U.S. PATENT DOCUMENTS

D471,851 S *	3/2003	McMath	D12/209
D485,524 S *	1/2004	Bhambra	D12/209
D504,100 S *	4/2005	Pollmann	D12/211
D572,651 S *	7/2008	Schweizer	D12/211
D579,397 S *	10/2008	Osborne	D12/211
D581,851 S *	12/2008	Scheu	D12/211
D586,280 S *	2/2009	Blasi	D12/209
D620,865 S *	8/2010	Park	D12/209
D633,845 S *	3/2011	Scolari et al.	D12/209
D643,356 S *	8/2011	Gotschke	D12/209
D644,587 S *	9/2011	Gotschke	D12/209
D678,829 S *	3/2013	Gotschke	D12/209
D680,483 S *	4/2013	Zhao	D12/209
D683,684 S *	6/2013	Campbell et al.	D12/209
D688,616 S *	8/2013	Fetherston et al.	D12/211
D697,010 S *	1/2014	Lorinser	D12/209
D706,701 S *	6/2014	Mays et al.	D12/211

* cited by examiner

Primary Examiner — Stacia Cadmus

(74) *Attorney, Agent, or Firm* — Damian Porcari

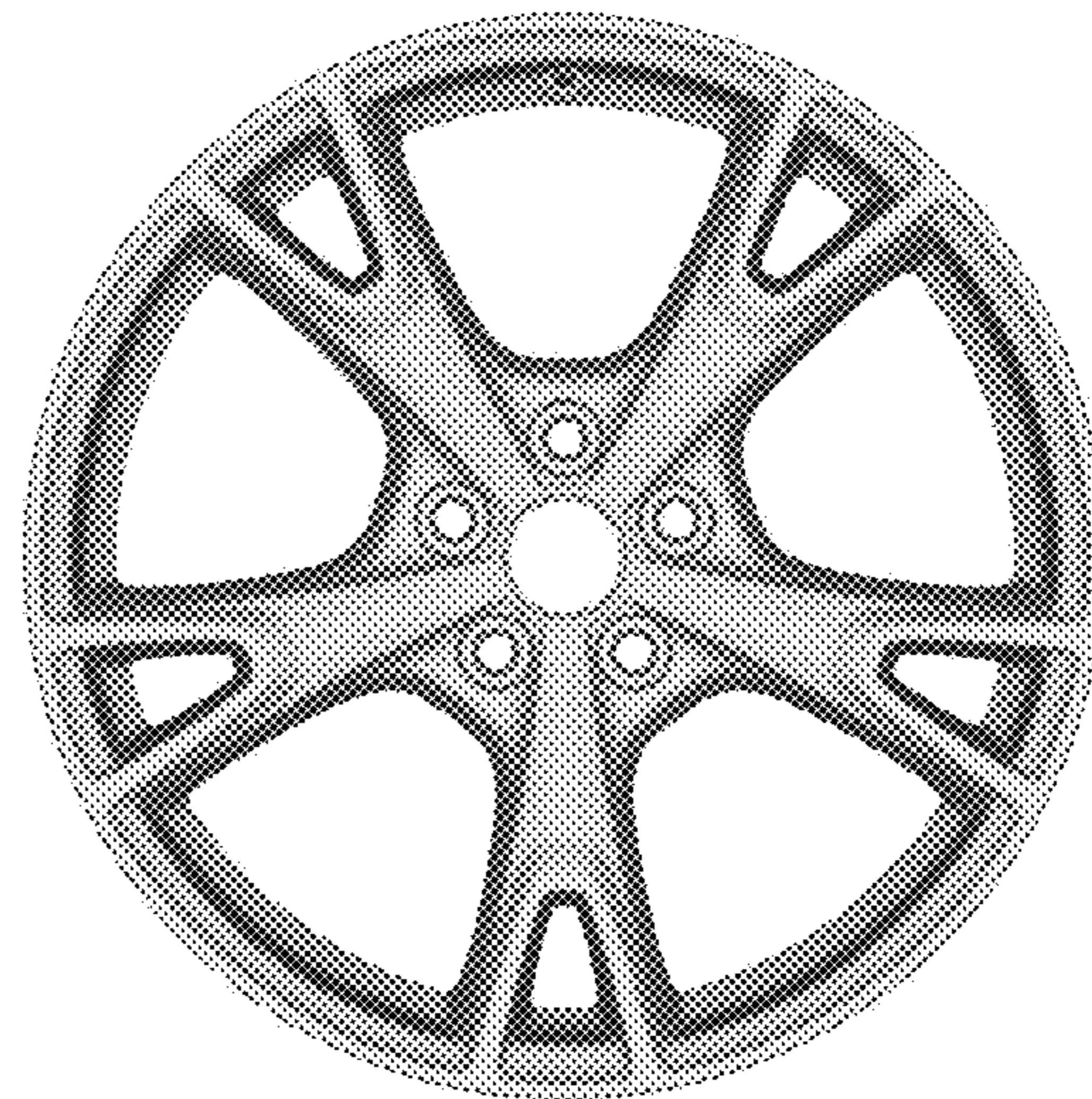
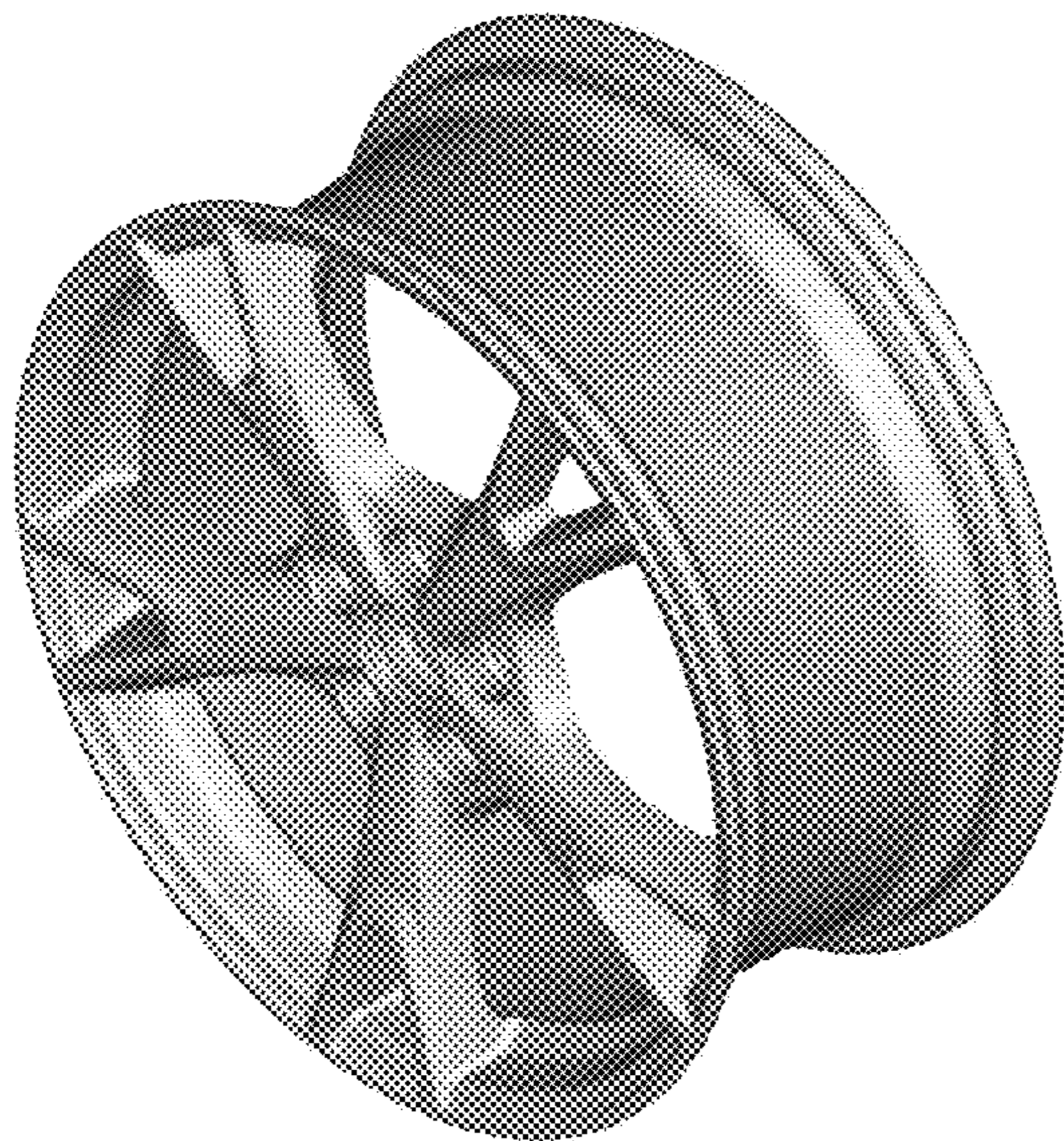
(57) **CLAIM**

The ornamental design for a vehicle wheel, as shown and described.

DESCRIPTION

FIG. 1 is a perspective view of a vehicle wheel; and, FIG. 2 is a front view thereof.

1 Claim, 2 Drawing Sheets



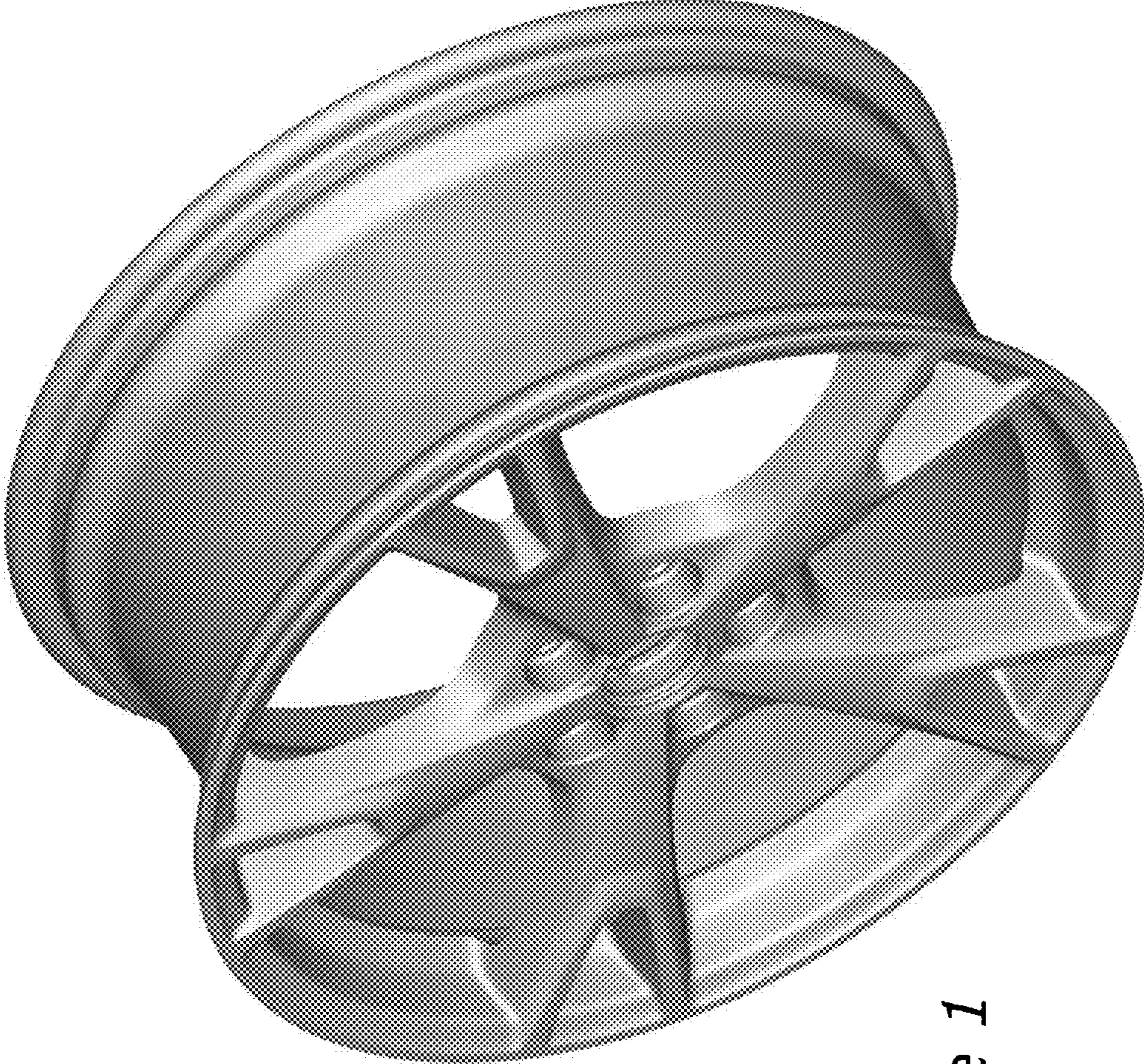


Figure 1



Figure 2