



US00D715717S

(12) **United States Design Patent**
Hodges

(10) **Patent No.:** **US D715,717 S**

(45) **Date of Patent:** **** Oct. 21, 2014**

(54) **WHEEL**

(71) Applicant: **Frank J. Hodges**, Corona, CA (US)

(72) Inventor: **Frank J. Hodges**, Corona, CA (US)

(**) Term: **14 Years**

(21) Appl. No.: **29/473,230**

(22) Filed: **Nov. 20, 2013**

(51) **LOC (10) Cl.** **12-16**

(52) **U.S. Cl.**
USPC **D12/209**

(58) **Field of Classification Search**
USPC D12/204-213; 301/37.101, 64.101, 65,
301/64.201

See application file for complete search history.

(56) **References Cited**

U.S. PATENT DOCUMENTS

D579,845 S * 11/2008 Chung D12/209
D584,673 S * 1/2009 Chung D12/209

D649,107 S * 11/2011 Hale, Jr. D12/211
D675,971 S * 2/2013 Lee D12/209
D678,156 S * 3/2013 Gotschke D12/209
D680,047 S * 4/2013 Hale, Jr. D12/209
D682,762 S * 5/2013 Hale, Jr. D12/209
D691,543 S * 10/2013 Gordon D12/209
D695,181 S * 12/2013 Kong D12/209
D695,182 S * 12/2013 Chung D12/209

* cited by examiner

Primary Examiner — Stacia Cadmus

(74) *Attorney, Agent, or Firm* — Eric B. Alspaugh, APC

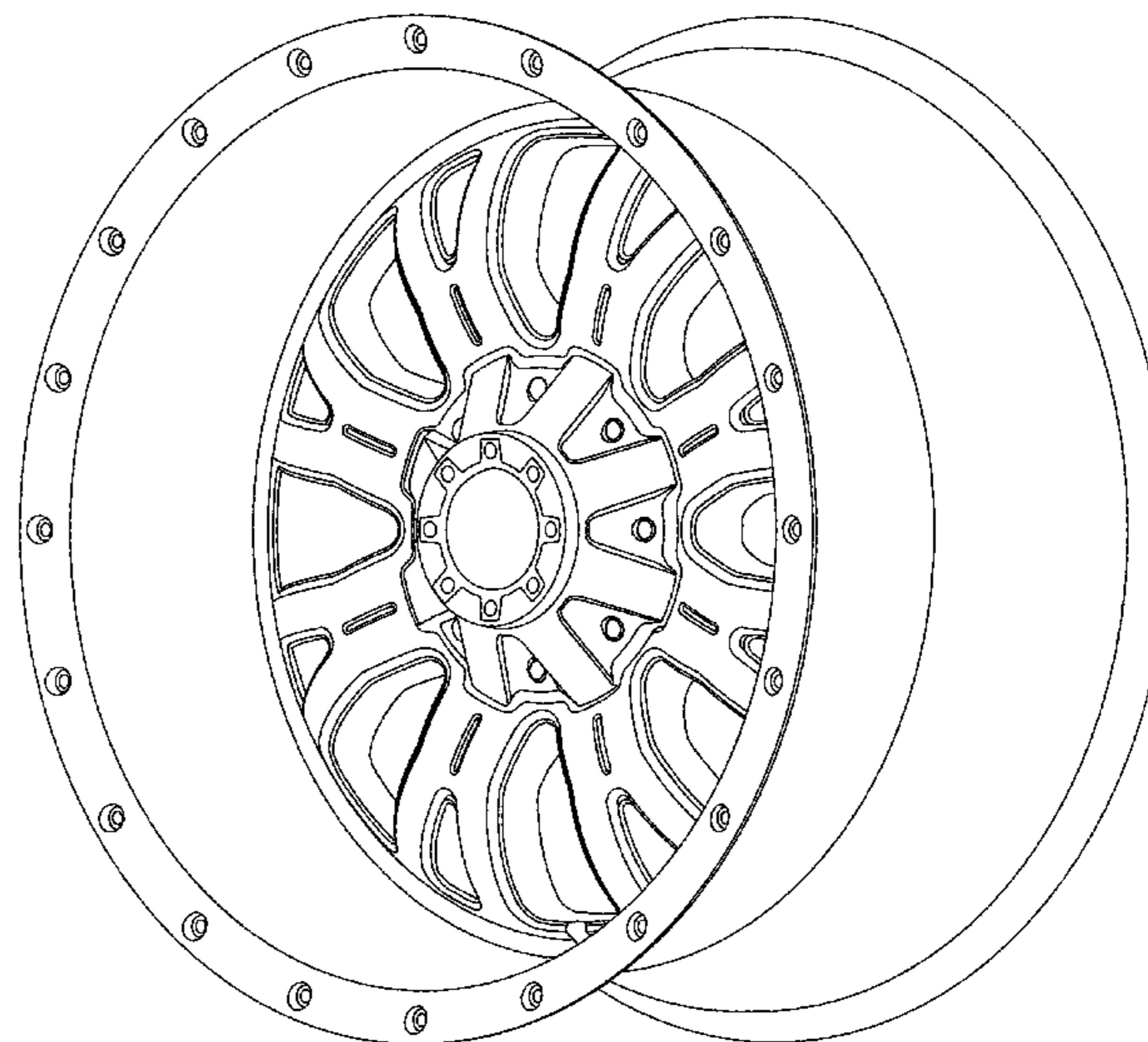
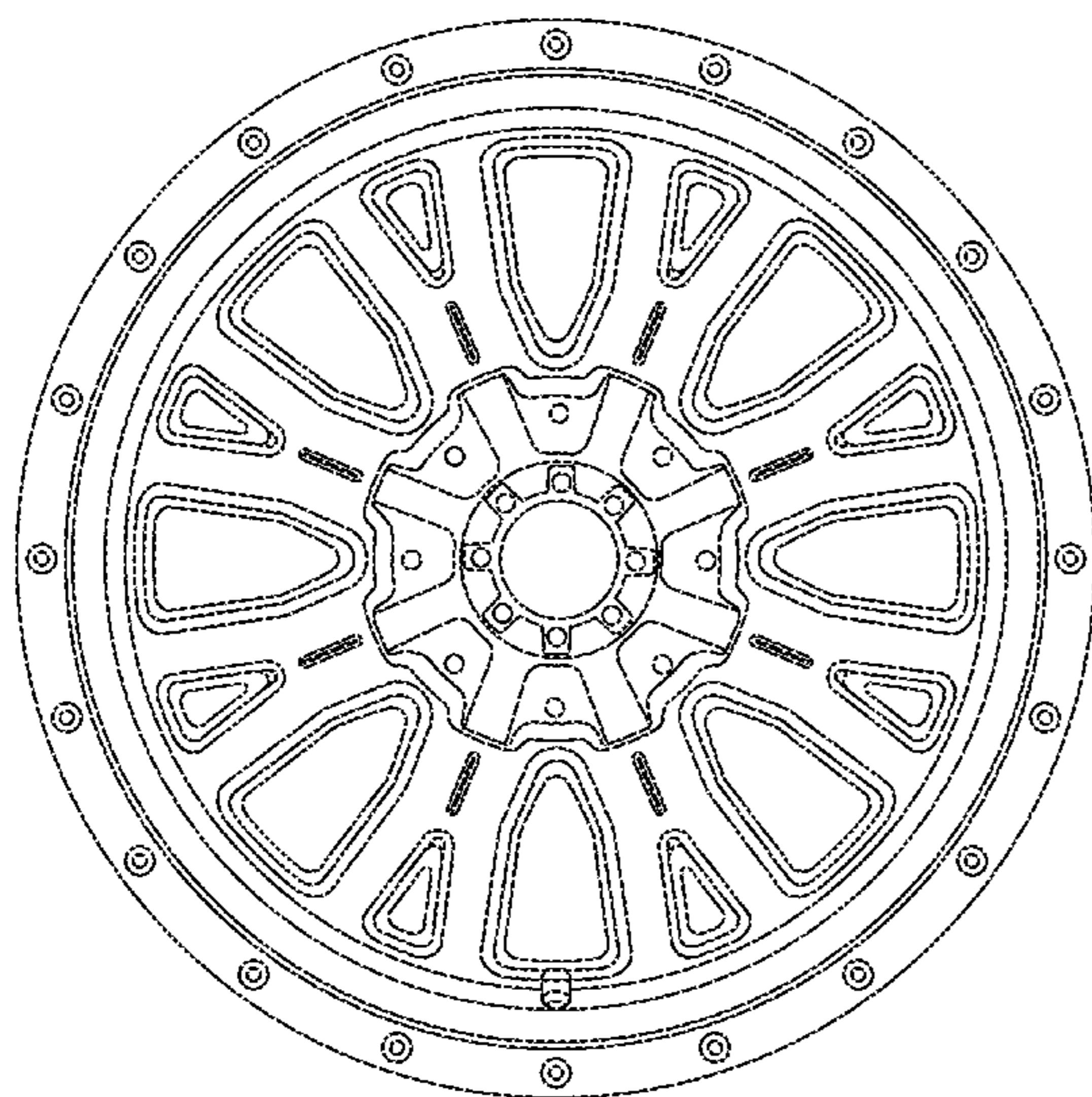
(57) **CLAIM**

The ornamental design for a wheel, as shown and described.

DESCRIPTION

FIG. 1 is a front view of a wheel showing my new design;
FIG. 2 is a side view thereof; and,
FIG. 3 is a perspective view thereof.

1 Claim, 3 Drawing Sheets



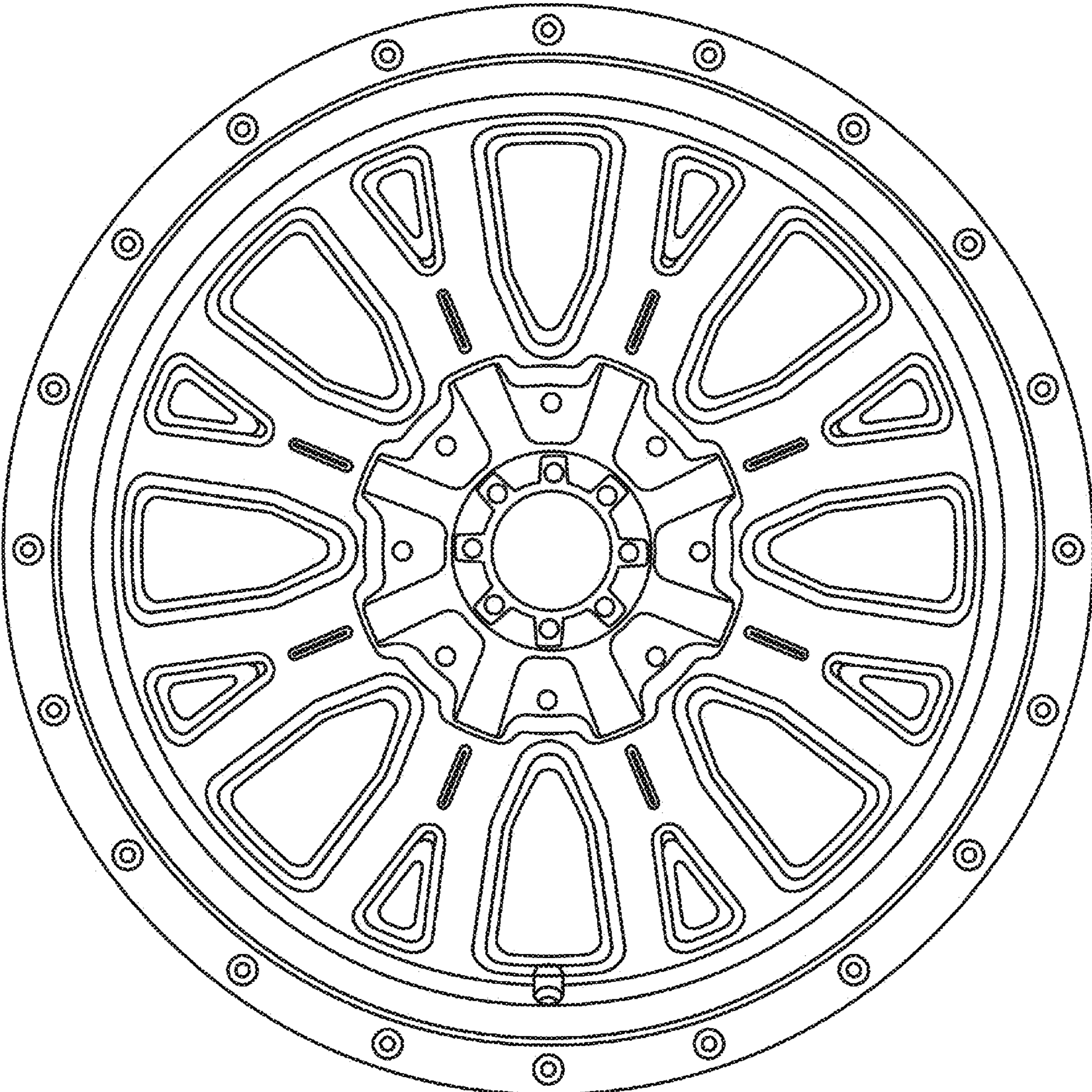


Fig. 1

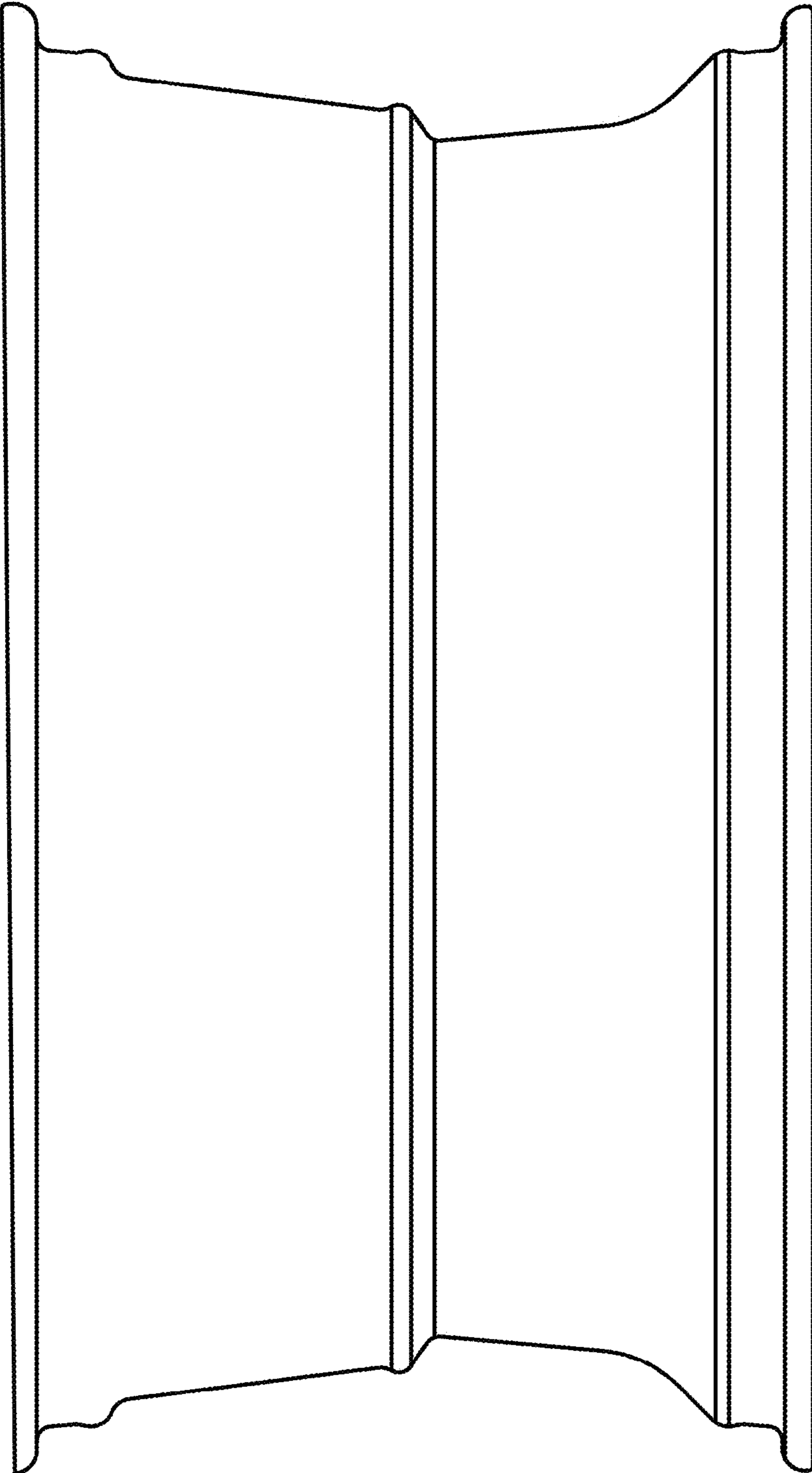


Fig. 2

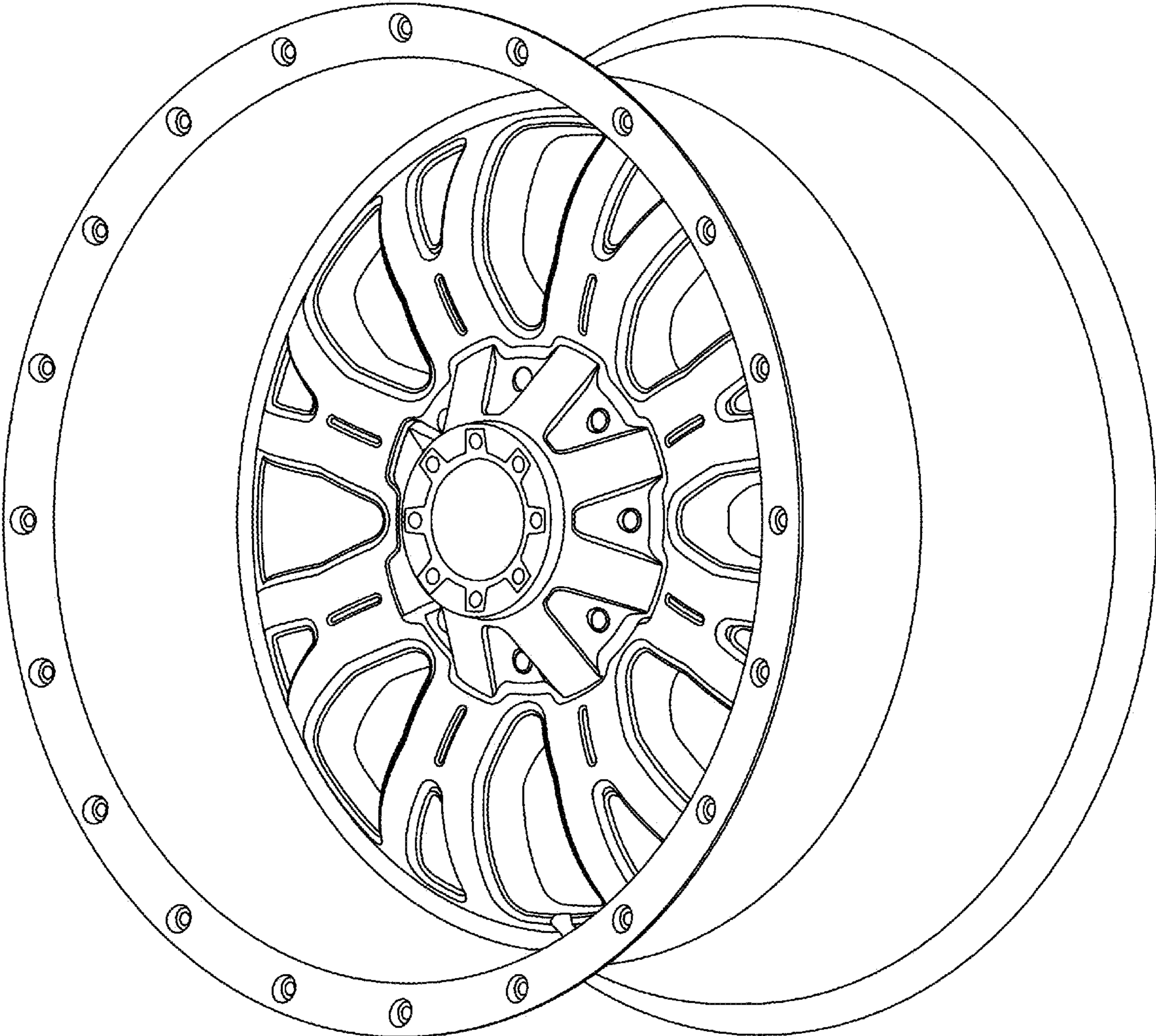


Fig. 3