



US00D715715S

(12) **United States Design Patent**
Pollmann

(10) **Patent No.:** **US D715,715 S**

(45) **Date of Patent:** **** Oct. 21, 2014**

(54) **WHEEL OR WHEEL COVER**

(71) Applicant: **Bayerische Motoren Werke
Aktiengesellschaft, Munich (DE)**

(72) Inventor: **Gert Pollmann, Boehmfeld (DE)**

(73) Assignee: **Bayerische Motoren Werke
Aktiengesellschaft, Munich (DE)**

(**) Term: **14 Years**

(21) Appl. No.: **29/440,084**

(22) Filed: **Dec. 19, 2012**

(30) **Foreign Application Priority Data**

Jun. 22, 2012 (DE) 40 2012 100 471

(51) **LOC (10) Cl.** **12-16**

(52) **U.S. Cl.**
USPC **D12/209**

(58) **Field of Classification Search**
USPC D12/204-213; 301/37.101, 64.101, 65,
301/64.201
See application file for complete search history.

(56) **References Cited**

U.S. PATENT DOCUMENTS

| | | | |
|--------------|---------|-----------------|---------|
| D407,364 S | 3/1999 | Fisker | |
| D460,037 S * | 7/2002 | Takechi | D12/211 |
| D503,668 S | 4/2005 | Boyer | |
| D509,782 S | 9/2005 | Pollmann | |
| D522,949 S | 6/2006 | Elmitt | |
| D533,826 S * | 12/2006 | Scheu | D12/211 |
| D535,238 S * | 1/2007 | Kim | D12/209 |
| D585,354 S | 1/2009 | Powell et al. | |
| D594,396 S * | 6/2009 | Juergens et al. | D12/209 |

| | | | |
|--------------|---------|-----------------|---------|
| D635,904 S * | 4/2011 | Futschik et al. | D12/209 |
| D644,588 S * | 9/2011 | Schweizer | D12/211 |
| D660,768 S * | 5/2012 | De Bono | D12/211 |
| D666,952 S | 9/2012 | Pollmann | |
| D671,059 S * | 11/2012 | Pollmann | D12/209 |
| D673,104 S * | 12/2012 | Lemke | D12/211 |
| D682,764 S * | 5/2013 | Amezketta | D12/211 |
| D684,519 S * | 6/2013 | Garbas | D12/211 |
| D693,284 S * | 11/2013 | Chen et al. | D12/211 |
| D702,614 S * | 4/2014 | Lemke | D12/211 |

FOREIGN PATENT DOCUMENTS

| | | |
|----|----------------|---------|
| DE | M9701285.8 | 6/1997 |
| EM | 000010442-0007 | 7/2003 |
| EM | 000213335-0002 | 11/2004 |
| EM | 000273651-0002 | 3/2005 |
| EM | 000883715-0001 | 4/2008 |
| EM | 000934468-0003 | 10/2009 |
| EM | 001772922-0009 | 8/2012 |

* cited by examiner

Primary Examiner — Stacia Cadmus

(74) *Attorney, Agent, or Firm* — Crowell & Moring LLP

(57) **CLAIM**

The ornamental design for a wheel or wheel cover, as shown and described.

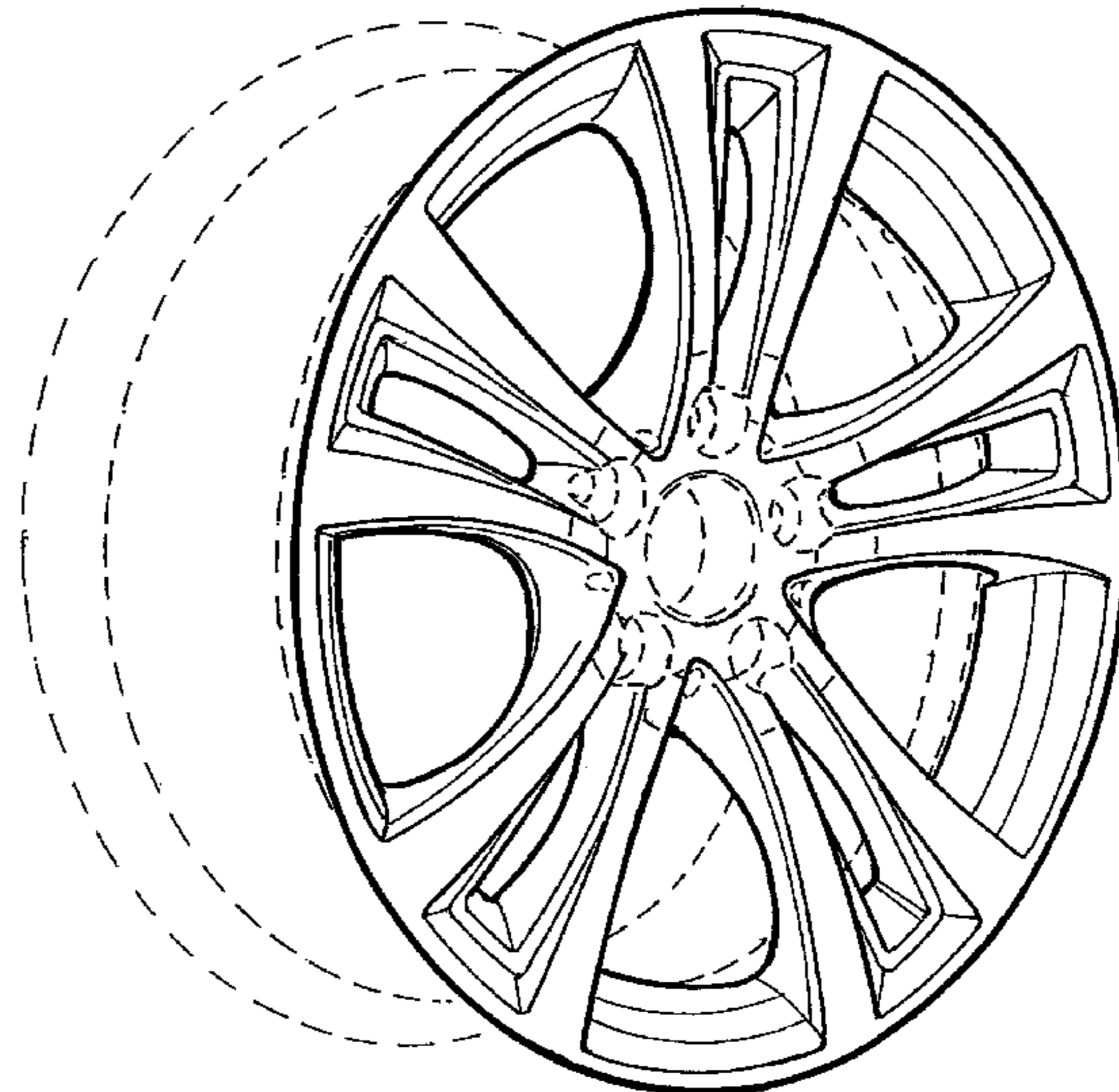
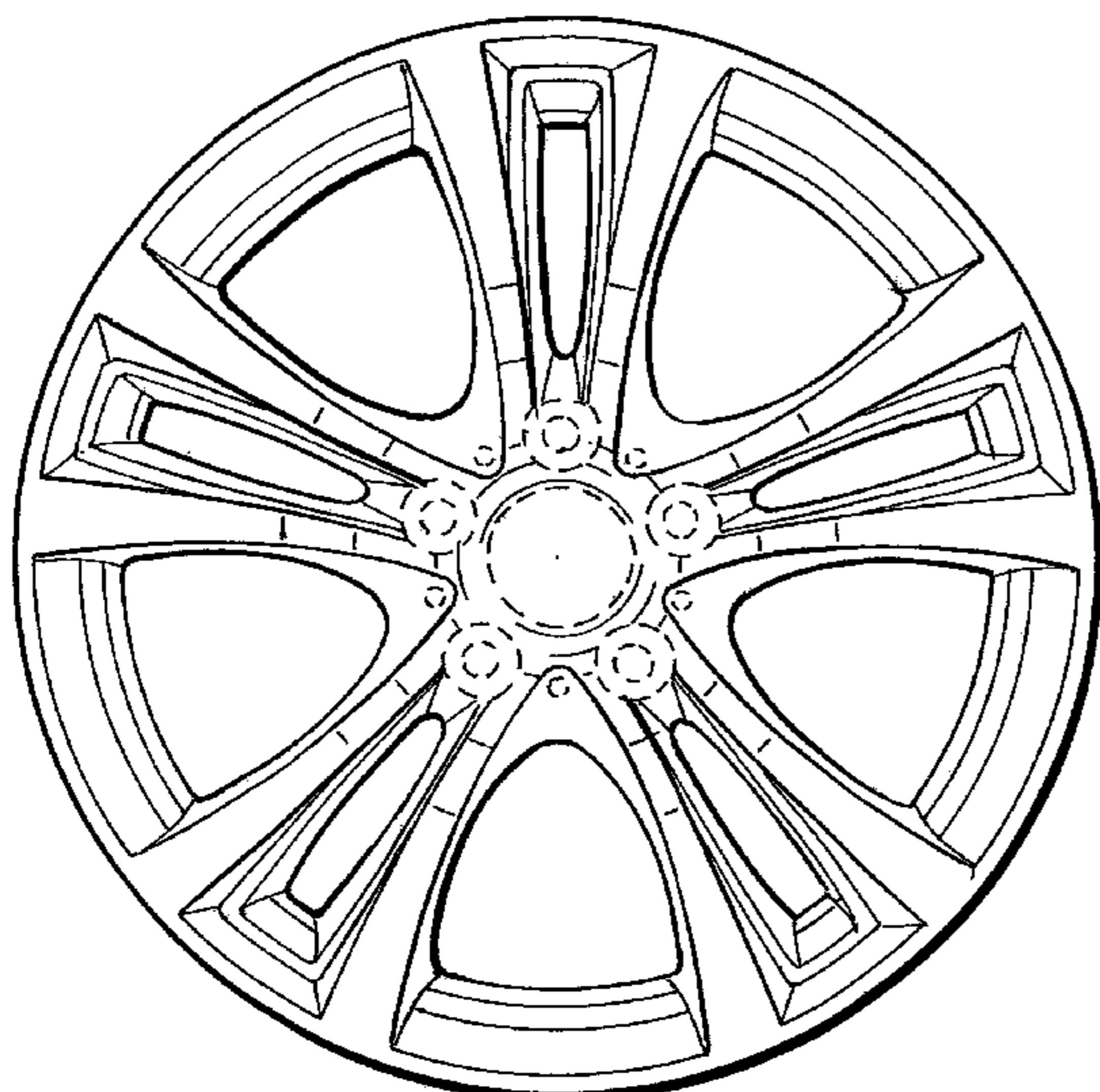
DESCRIPTION

FIG. 1 is a front view of a wheel or wheel cover according to the design; and,

FIG. 2 is a perspective view thereof.

The broken line showing of the rear of the wheel and the bolt holes and the center cap in the central hub area is included for the purpose of illustrating environment and forms no part of the claimed design.

1 Claim, 1 Drawing Sheet



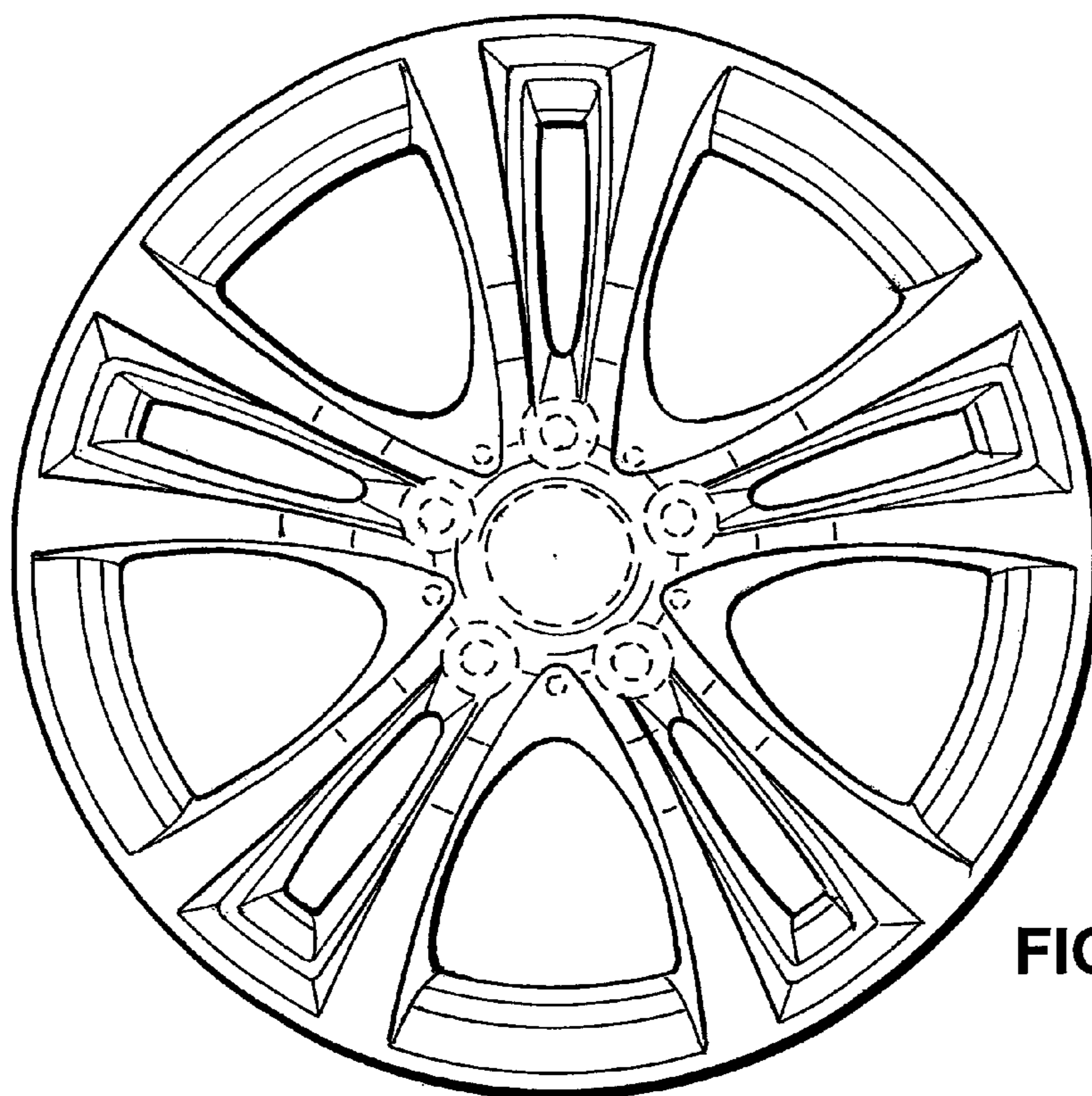


FIG. 1

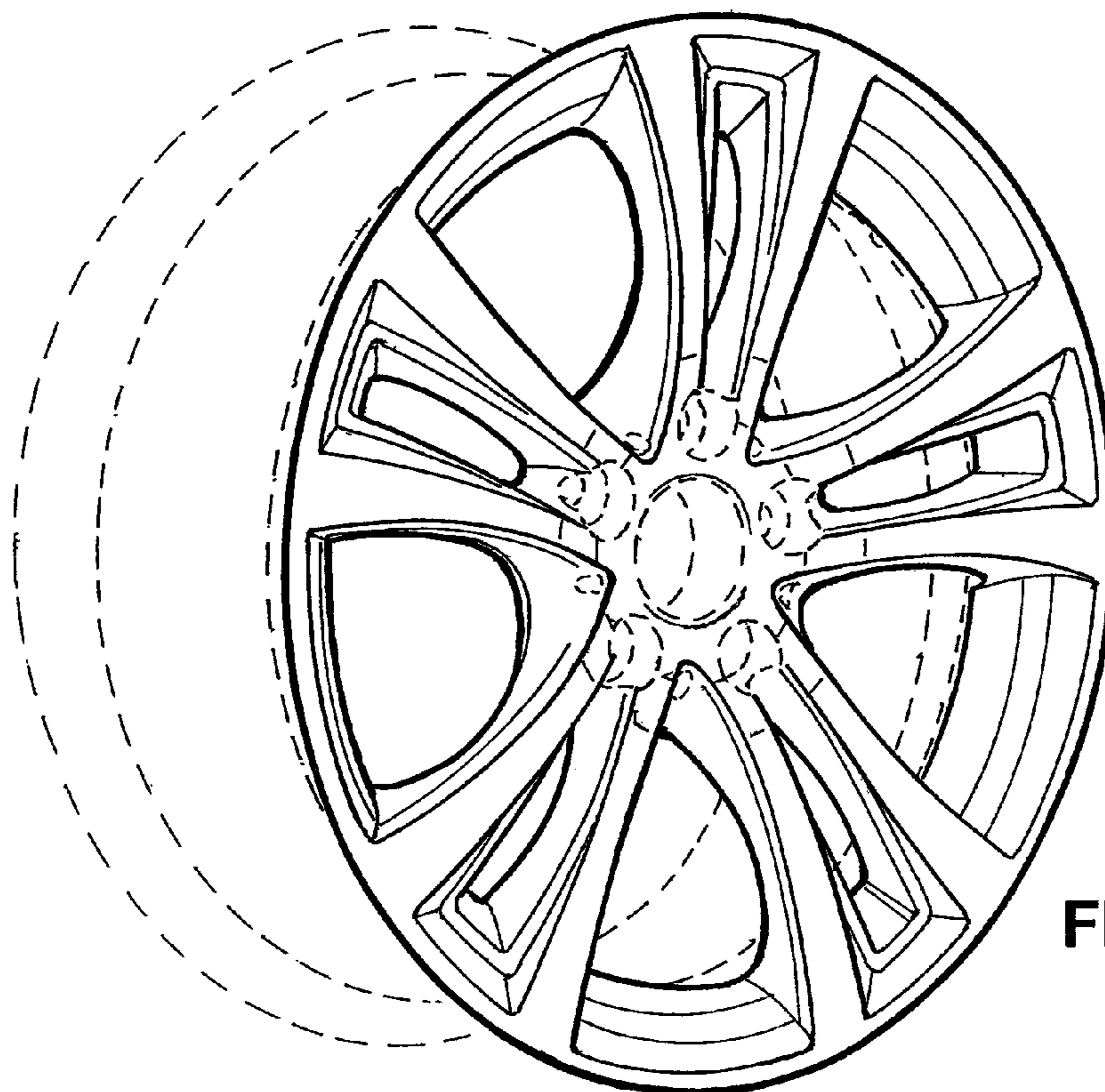


FIG. 2