



US00D715712S

(12) **United States Design Patent**
Thompson

(10) **Patent No.:** **US D715,712 S**

(45) **Date of Patent:** **** Oct. 21, 2014**

(54) **VEHICLE DECKLID**

(75) Inventor: **Justin J. Thompson**, Clarinda (AU)

(73) Assignee: **GM Global Technology Operations, LLC**, Detroit, MI (US)

(**) Term: **14 Years**

(21) Appl. No.: **29/415,045**

(22) Filed: **Mar. 7, 2012**

(51) **LOC (10) Cl.** **12-16**

(52) **U.S. Cl.**
USPC **D12/196**

(58) **Field of Classification Search**
USPC D12/86, 90, 91, 92, 96, 183, 196;
296/76, 100.01, 181.1, 181.5
See application file for complete search history.

(56) **References Cited**

U.S. PATENT DOCUMENTS

D428,376 S * 7/2000 Sacco et al. D12/196
D440,532 S * 4/2001 Sacco et al. D12/196
D467,850 S * 12/2002 Warming D12/196

D476,936 S * 7/2003 Boyer D12/196
D507,219 S * 7/2005 Boyer D12/196
D514,491 S * 2/2006 Nagashima D12/196
D571,701 S * 6/2008 Sato et al. D12/196
D581,336 S * 11/2008 Gabath et al. D12/196
D620,860 S * 8/2010 Froehlich D12/196
D638,338 S * 5/2011 Huet D12/196
D663,666 S * 7/2012 Matsumoto et al. D12/196

* cited by examiner

Primary Examiner — Philip S Hyder

Assistant Examiner — Darlington Ly

(74) *Attorney, Agent, or Firm* — Stephen Terrell; Parks IP LAW LLC

(57) **CLAIM**

The ornamental design for a vehicle decklid, as shown and described.

DESCRIPTION

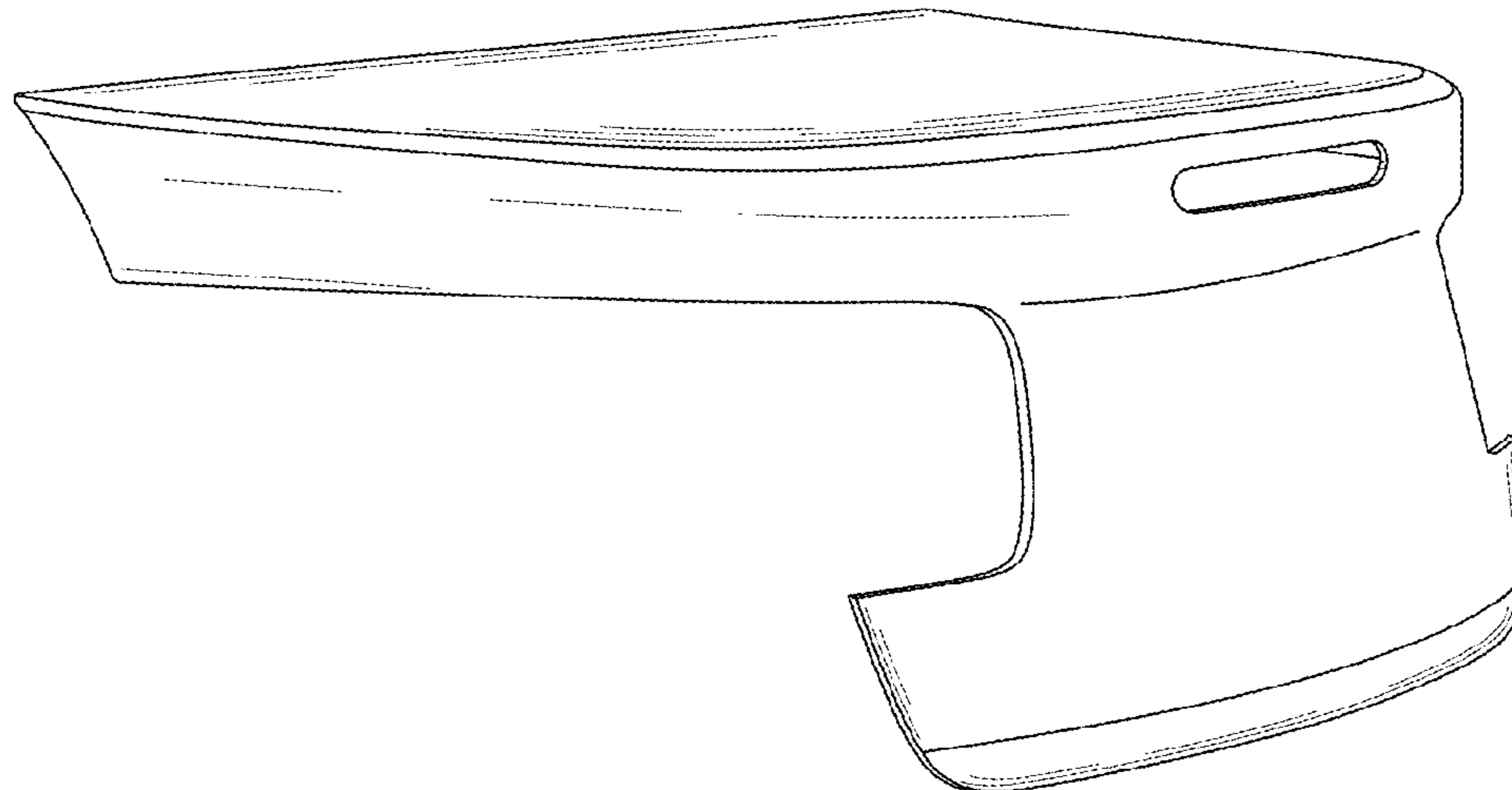
FIG. 1 is a perspective view of a vehicle decklid showing the new design;

FIG. 2 is a front view, thereof;

FIG. 3 is a side view, thereof; and,

FIG. 4 is a top plan view, thereof.

1 Claim, 1 Drawing Sheet



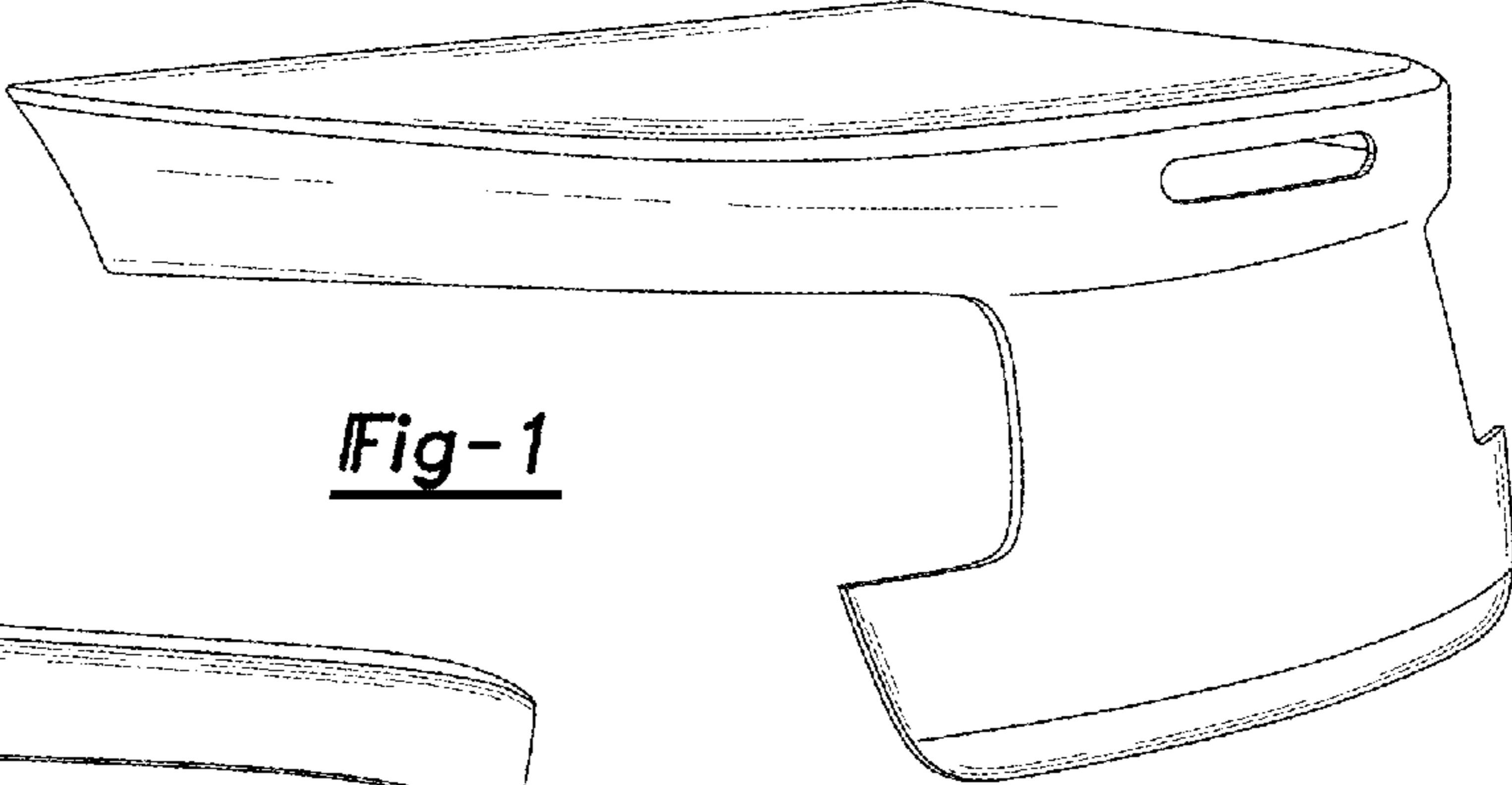


Fig-1

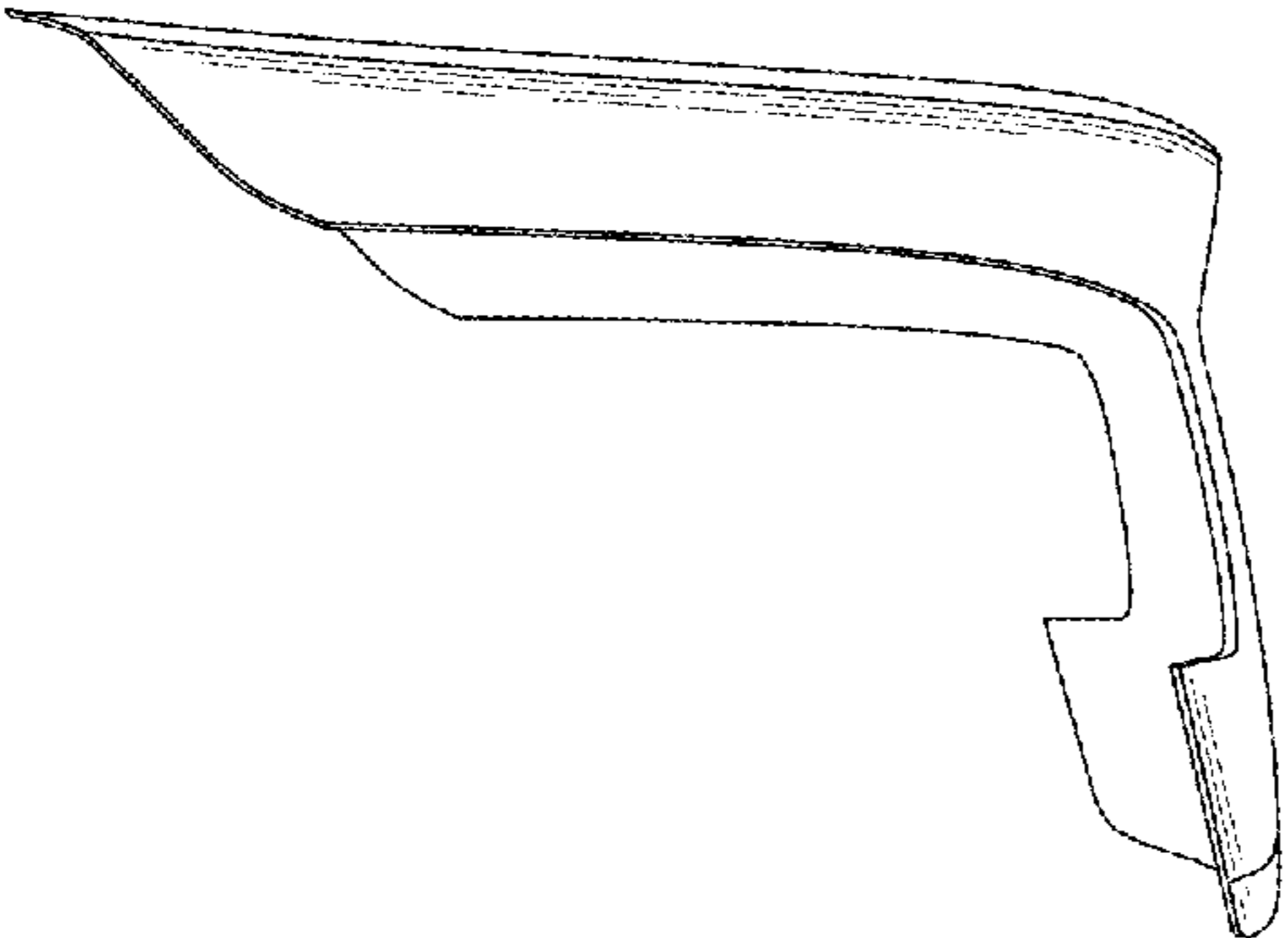


Fig-2

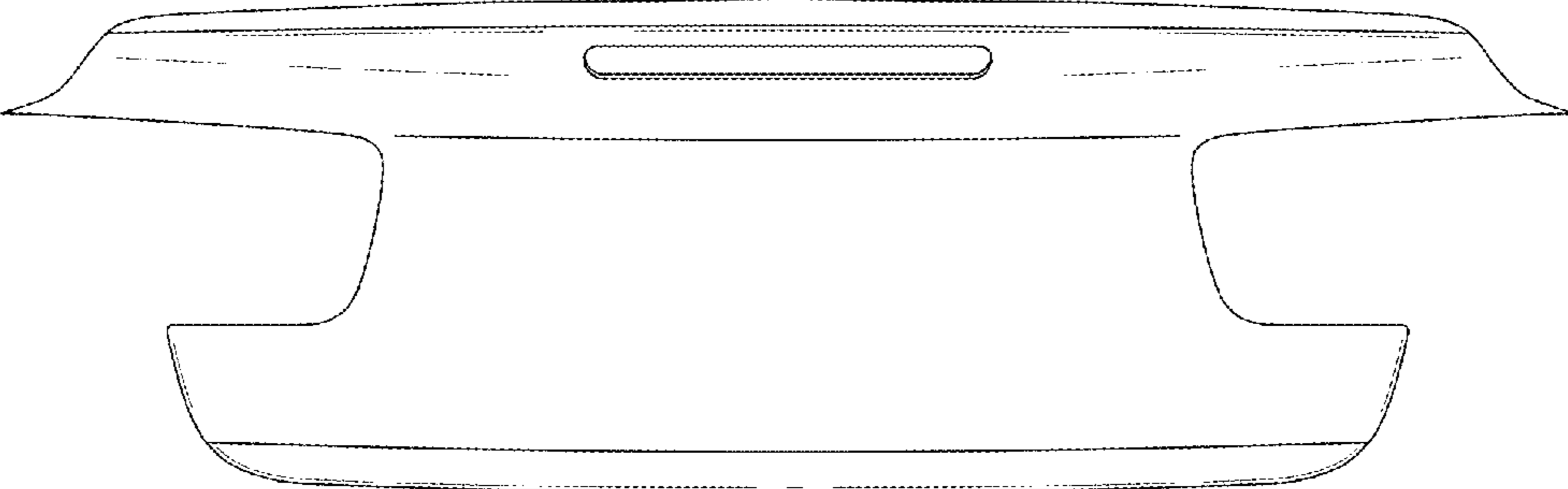


Fig-3

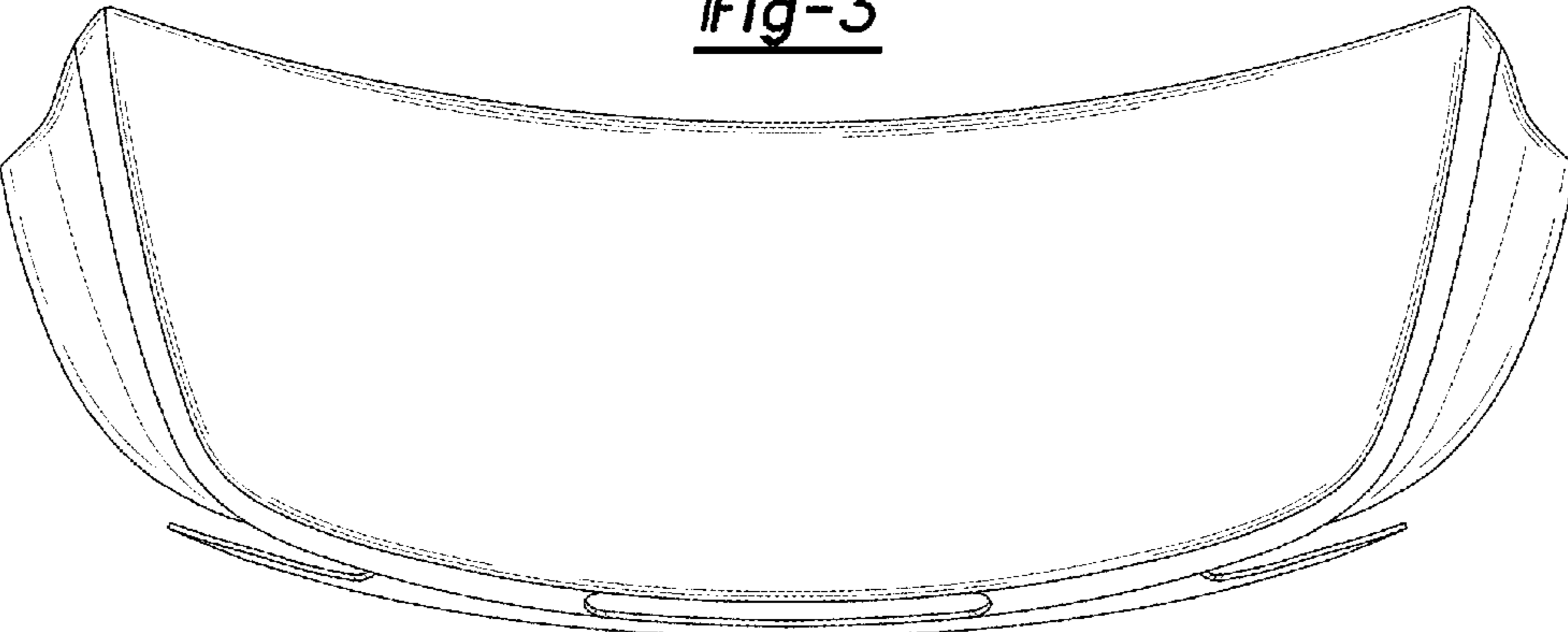


Fig-4