



US00D715709S

(12) **United States Design Patent**  
**Matsumoto et al.**

(10) **Patent No.:** **US D715,709 S**  
(45) **Date of Patent:** **\*\* \*Oct. 21, 2014**

- (54) **BUMPER FOR AN AUTOMOBILE**
- (71) Applicant: **Toyota Jidosha Kabushiki Kaisha,**  
Toyota (JP)
- (72) Inventors: **Kengo Matsumoto,** Nagoya (JP);  
**Shinichi Hiranaka,** Miyoshi (JP); **Shin**  
**Miyata,** Nissin (JP); **Satoru Sugimoto,**  
Toyota (JP)
- (73) Assignee: **Toyota Jidosha Kabushiki Kaisha** (JP)
- (\*) Notice: This patent is subject to a terminal disclaimer.
- (\*\*) Term: **14 Years**
- (21) Appl. No.: **29/487,817**
- (22) Filed: **Apr. 11, 2014**

**Related U.S. Application Data**

- (62) Division of application No. 29/435,875, filed on Oct. 30, 2012, now Pat. No. Des. 705,705, which is a division of application No. 29/388,883, filed on Apr. 4, 2011, now Pat. No. Des. 679,632.

(30) **Foreign Application Priority Data**

- Jan. 7, 2011 (JP) ..... 2011-000250
- Jan. 7, 2011 (JP) ..... 2011-000251
- (51) **LOC (10) Cl.** ..... **12-16**
- (52) **U.S. Cl.**  
USPC ..... **D12/169**
- (58) **Field of Classification Search**  
USPC ..... D12/163, 196, 171, 169, 216, 90-92,  
D12/86; 180/68.1, 68.6; 296/193.11  
See application file for complete search history.

- (56) **References Cited**
- U.S. PATENT DOCUMENTS
- D619,514 S \* 7/2010 Syouji et al. .... D12/169
- D620,850 S \* 8/2010 Sakae et al. .... D12/169
- D637,533 S \* 5/2011 Miyazawa et al. .... D12/169
- D640,614 S \* 6/2011 Kumai et al. .... D12/169
- D640,958 S \* 7/2011 Yokoi et al. .... D12/169
- D679,632 S \* 4/2013 Iida et al. .... D12/163
- D705,705 S \* 5/2014 Matsumoto et al. .... D12/169

- OTHER PUBLICATIONS
- 2009 Audi A6, www.netcarshow.com, posted by NetCarShow at least as early as 2009.
- 2011 Lexus CT200h, www.netcarshow.com, publicly known at least as early as Mar. 2010.

\* cited by examiner

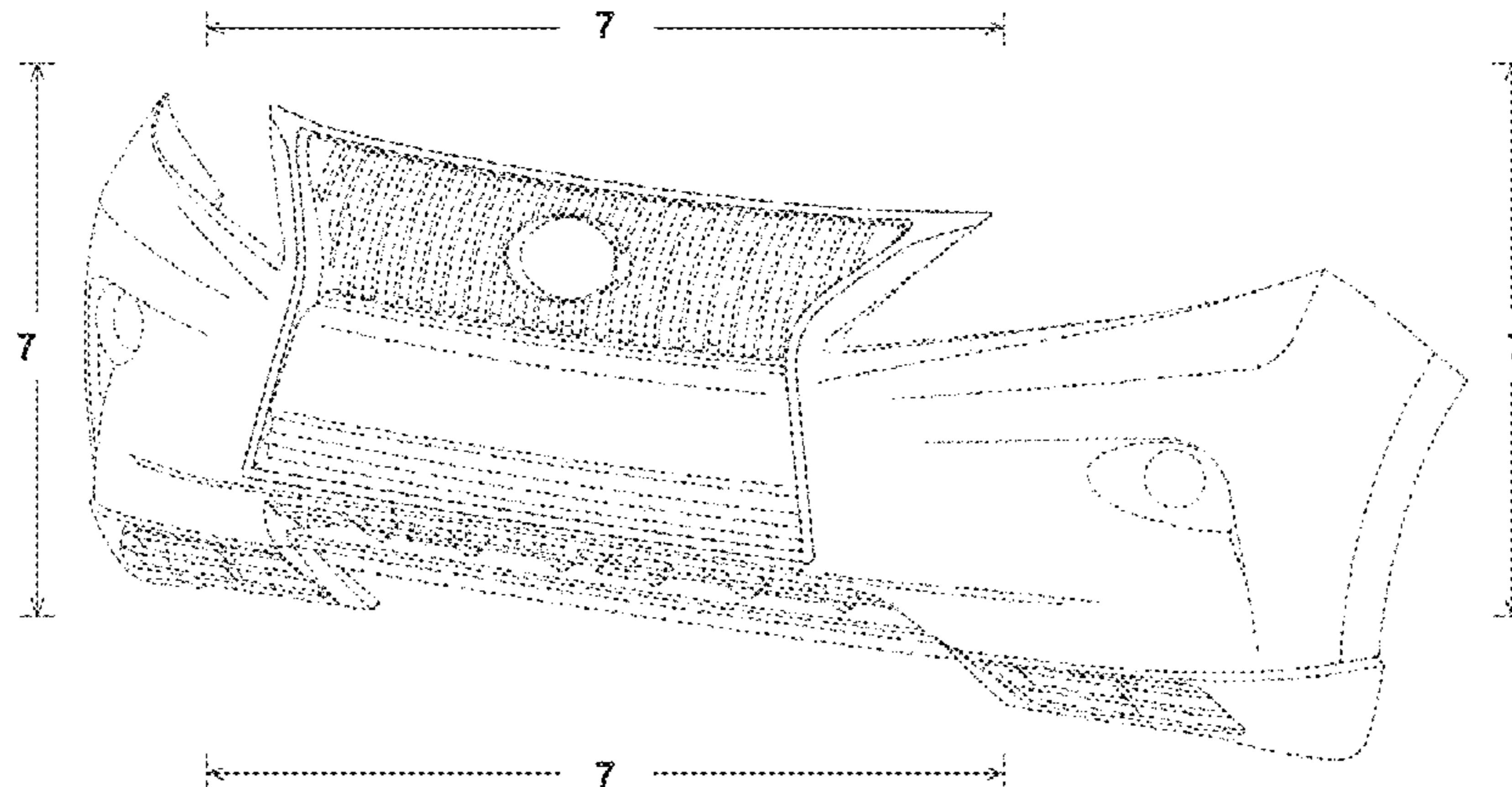
*Primary Examiner* — Melody Brown  
(74) *Attorney, Agent, or Firm* — SAIDMAN DesignLaw Group

(57) **CLAIM**  
The ornamental design for a bumper for an automobile, as shown and described.

**DESCRIPTION**

FIG. 1 is a perspective view of a bumper for an automobile showing our new design;  
FIG. 2 is a front view thereof;  
FIG. 3 is a rear view thereof;  
FIG. 4 is a top view thereof;  
FIG. 5 is a bottom view thereof;  
FIG. 6 is a right side view thereof, the left side view being a mirror image;  
FIG. 7 is an enlarged view showing a portion of FIG. 1 defined by lines 7-7; and,  
FIG. 8 is an enlarged view showing a portion of FIG. 2 defined by lines 8-8.  
The broken lines illustrate environmental structure and form no part of the claimed design.

**1 Claim, 5 Drawing Sheets**



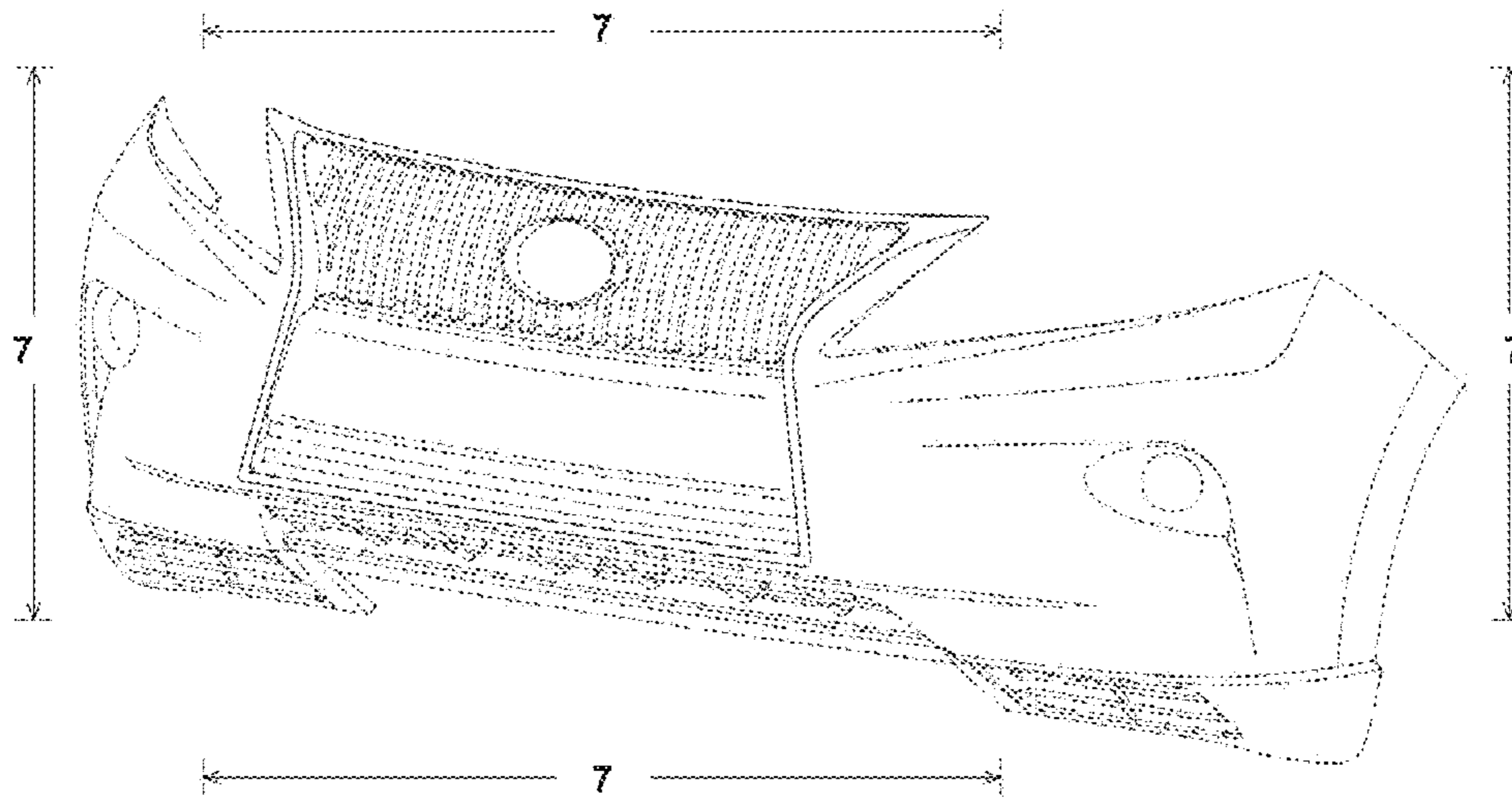


FIG. 1

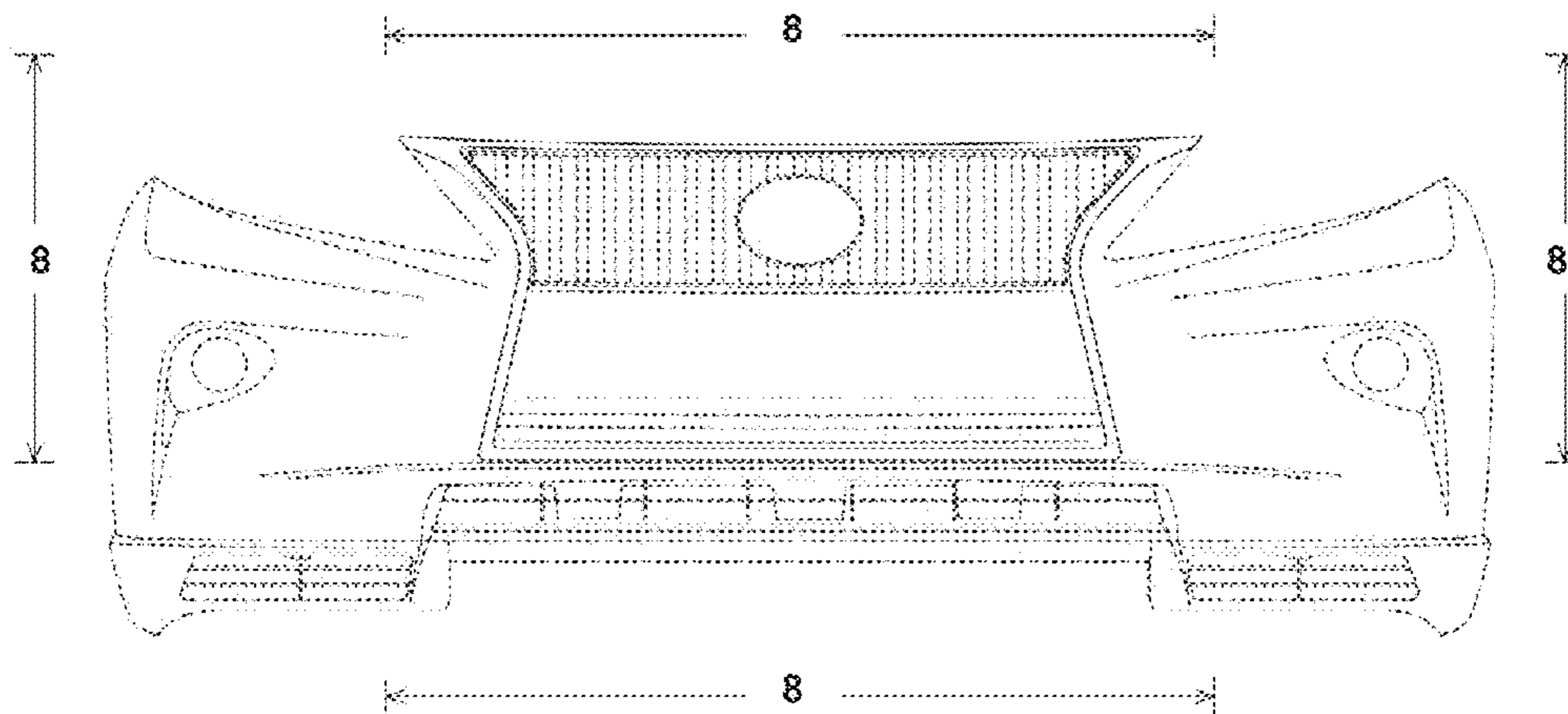


FIG. 2

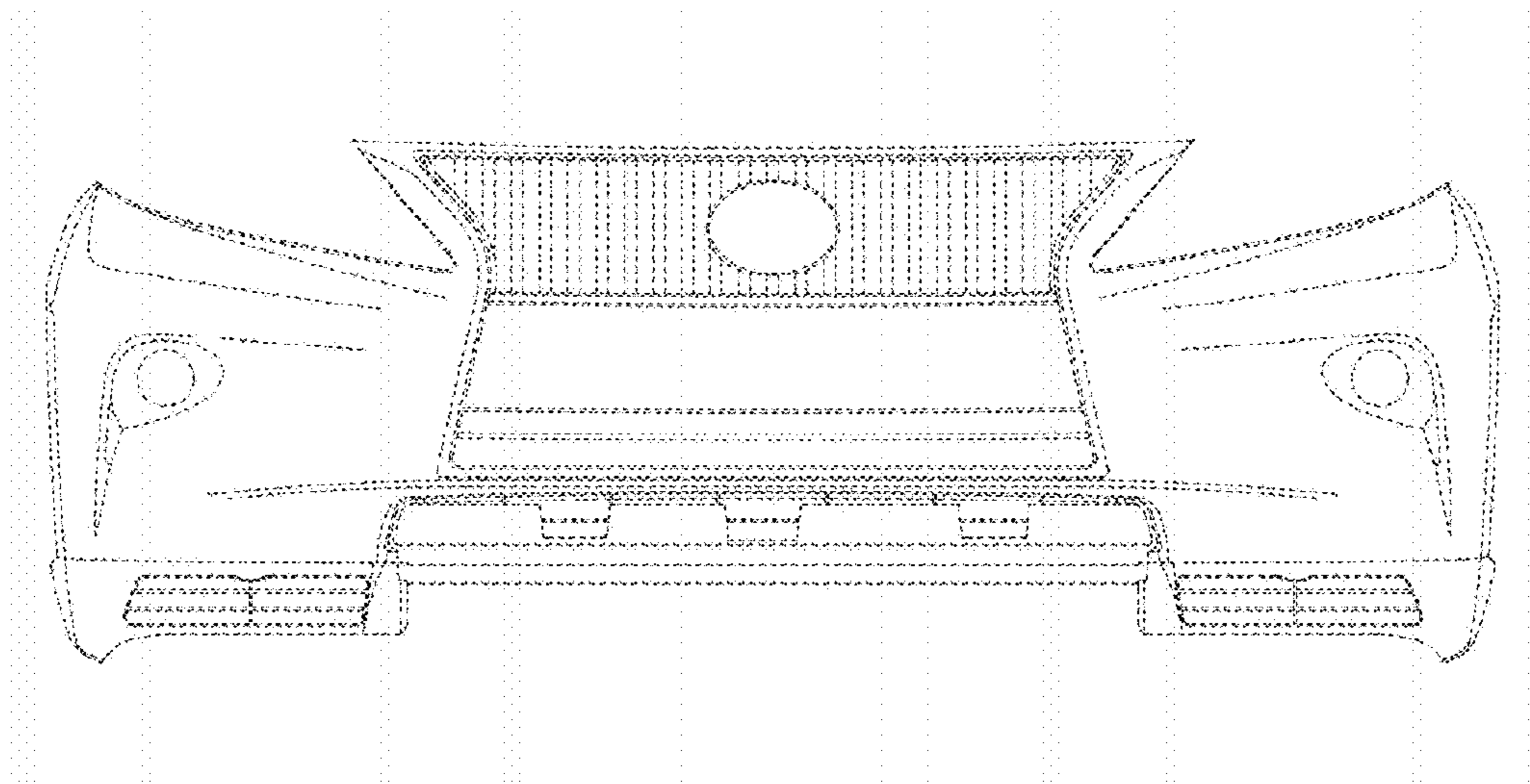


FIG. 3

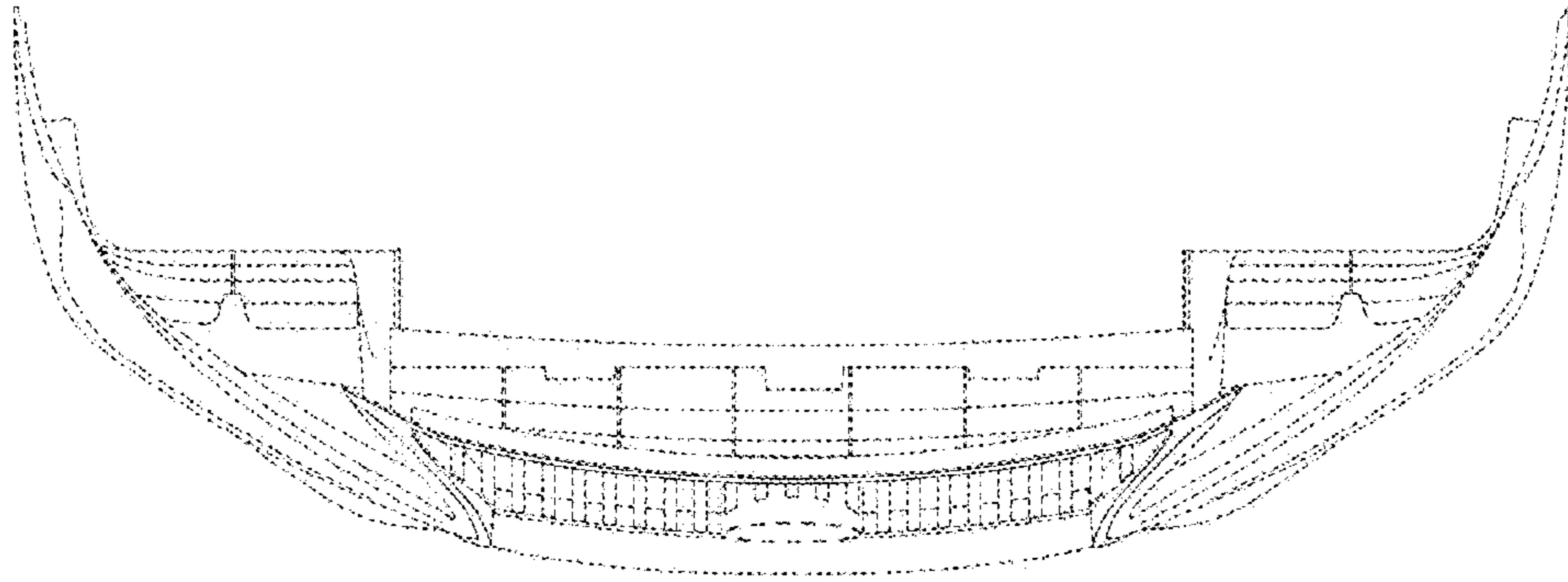


FIG. 4

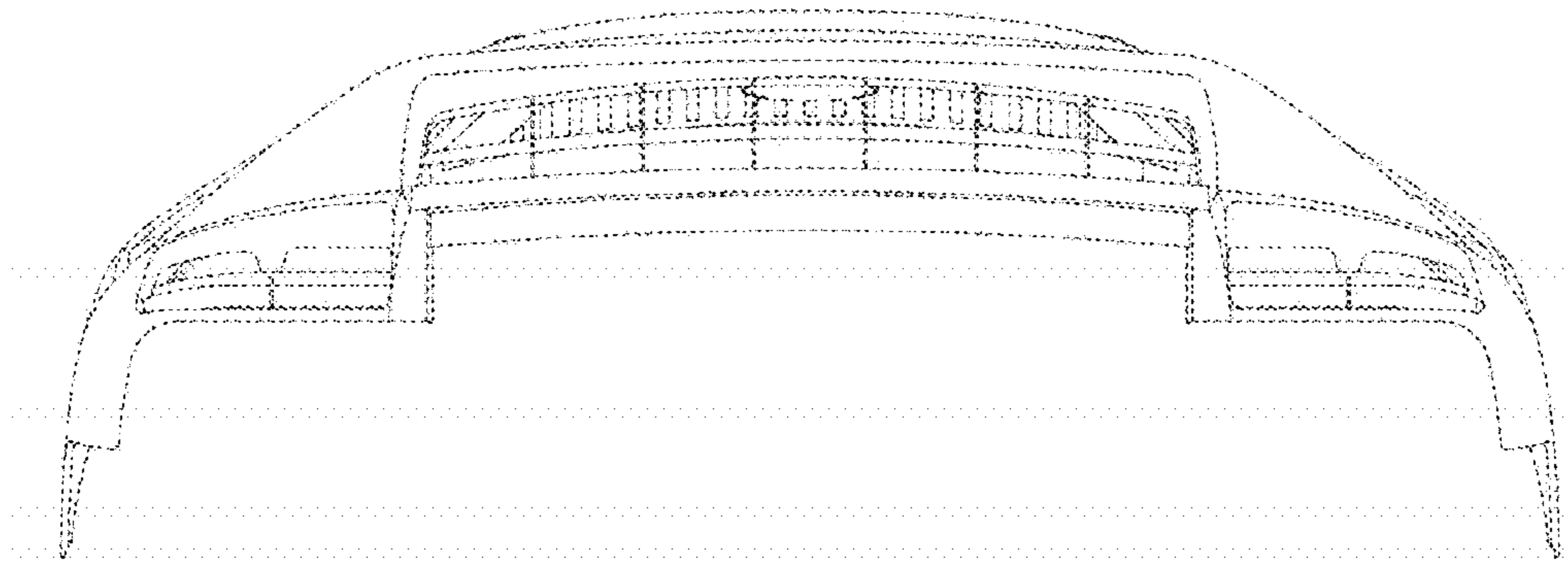


FIG. 5

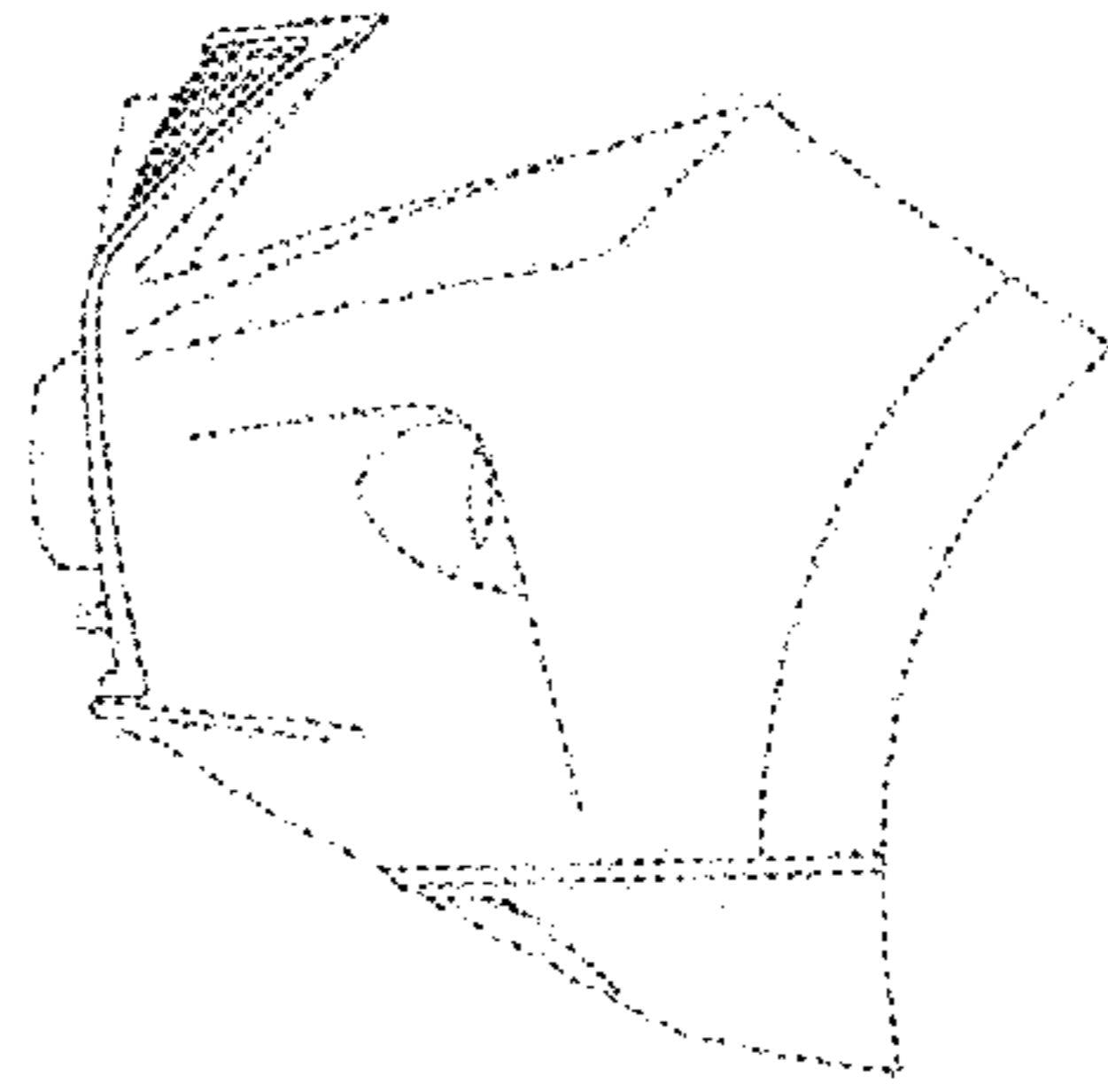


FIG. 6

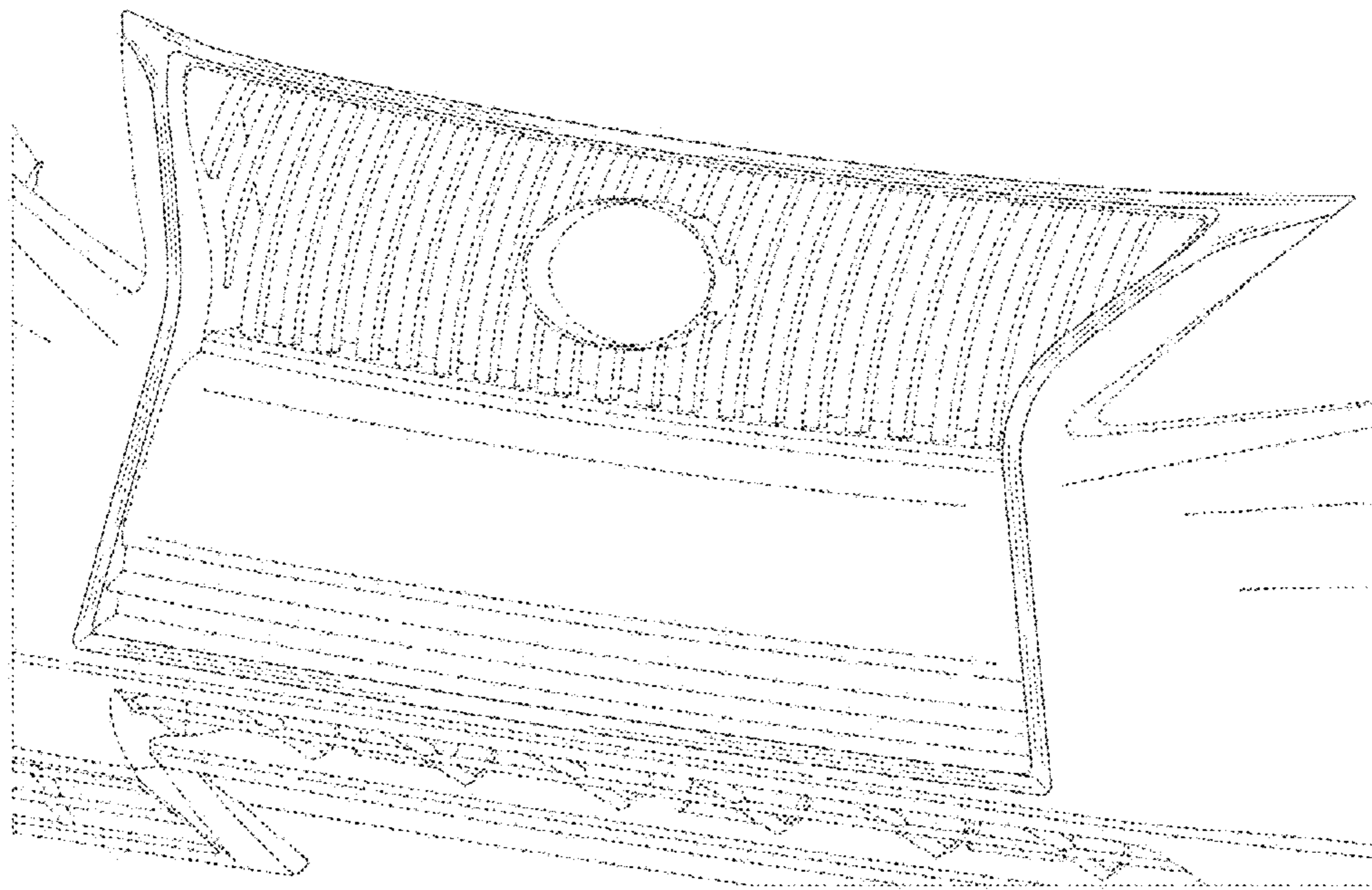


FIG. 7

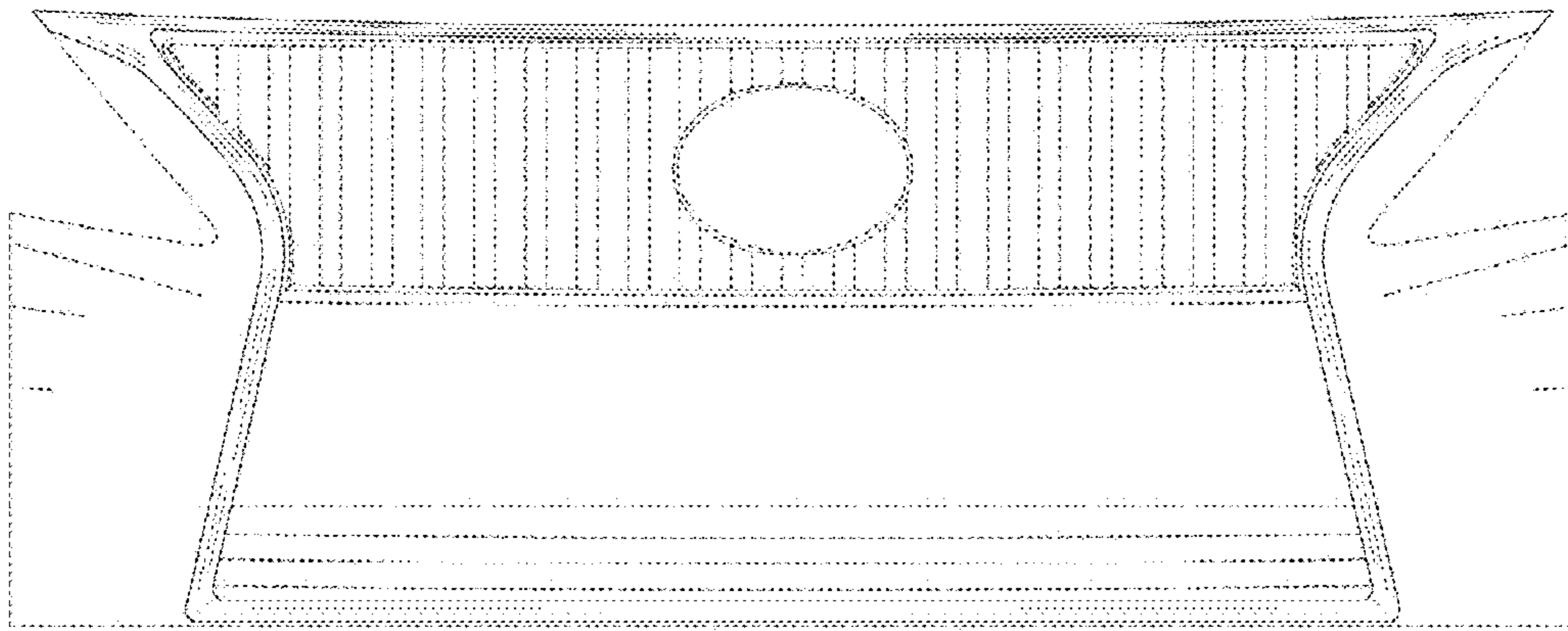


FIG. 8