



US00D715707S

(12) **United States Design Patent**  
**Johnson**

(10) **Patent No.:** **US D715,707 S**

(45) **Date of Patent:** **\*\* Oct. 21, 2014**

- (54) **REAR BUMPER FOR A VEHICLE**
- (71) Applicant: **Bayerische Motoren Werke Aktiengesellschaft, Munich (DE)**
- (72) Inventor: **Mark Allen Johnson, Santa Monica, CA (US)**
- (73) Assignee: **Bayerische Motoren Werke Aktiengesellschaft, Munich (DE)**
- (\*\*) Term: **14 Years**
- (21) Appl. No.: **29/449,349**
- (22) Filed: **Mar. 15, 2013**
- (51) **LOC (10) Cl.** ..... **12-16**
- (52) **U.S. Cl.**  
USPC ..... **D12/169**
- (58) **Field of Classification Search**  
CPC .. B60R 19/48; B60R 2019/247; B60R 19/02;  
B60R 19/44; B62D 35/00; B62D 35/007;  
B62D 35/005; B62D 37/02; B60K 2001/0416  
USPC ..... D12/169, 184, 196, 190, 91, 102;  
293/138, 130, 135; 128/861;  
296/180.1, 97.22  
  
See application file for complete search history.

D584,199 S *	1/2009	Leclercq .....	D12/169
D586,269 S *	2/2009	Suga et al. ....	D12/169
D683,285 S *	5/2013	Yoshida et al. ....	D12/169
D695,165 S *	12/2013	Asano .....	D12/169
D695,168 S *	12/2013	Kawasaki .....	D12/169

**FOREIGN PATENT DOCUMENTS**

WO DM/073061 8/2010

**OTHER PUBLICATIONS**

First Drive: 2014 BMW X5, posted at MotorTrend, posted on Oct. 1, 2013, [online], [site visited Dec. 30, 2013]. Available from Internet, <URL: [http://www.motortrend.com/roadtests/suvs/1309\\_2014\\_bmw\\_x5\\_first\\_drive/](http://www.motortrend.com/roadtests/suvs/1309_2014_bmw_x5_first_drive/)>.\*

\* cited by examiner

*Primary Examiner* — Eric Goodman

*Assistant Examiner* — Ryan Harvey

(74) *Attorney, Agent, or Firm* — Crowell & Moring LLP

(57) **CLAIM**

The ornamental design for a rear bumper for a vehicle, as shown and described.

**DESCRIPTION**

This application contains subject matter related to the following co-pending U.S. design patent application: Application Ser. No. 29/449,346, filed herewith and entitled "Vehicle, Toy, and/or Replicas Thereof".

FIG. 1 is a front view of a rear bumper for a vehicle according to the design;

FIG. 2 is a left, front perspective view thereof;

FIG. 3 is a right, front perspective view thereof;

FIG. 4 is a left side view thereof;

FIG. 5 is a top view thereof;

FIG. 6 is a bottom view thereof; and,

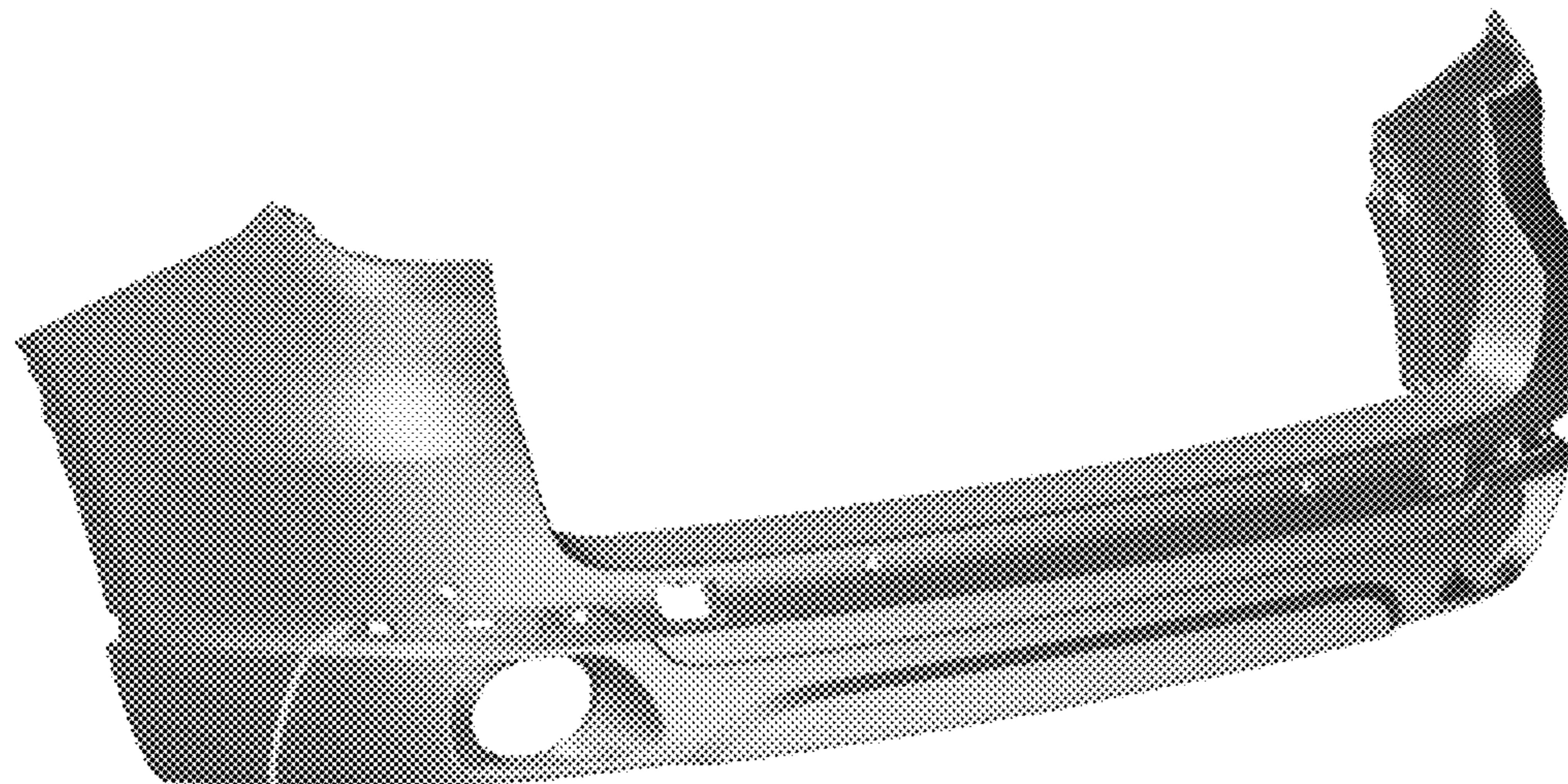
FIG. 7 is a rear view thereof.

**1 Claim, 7 Drawing Sheets**

(56) **References Cited**

**U.S. PATENT DOCUMENTS**

D447,453 S *	9/2001	Kim .....	D12/169
D491,497 S *	6/2004	Sasaki et al. ....	D12/169
D497,853 S *	11/2004	Yanase .....	D12/169
D513,213 S *	12/2005	Sato .....	D12/169
D522,938 S *	6/2006	Iwanaga .....	D12/169
D558,105 S *	12/2007	Bucher et al. ....	D12/169
D563,844 S *	3/2008	Kodama et al. ....	D12/169
D565,481 S *	4/2008	Ohishi et al. ....	D12/169
D566,020 S *	4/2008	Ohishi et al. ....	D12/169
D583,726 S *	12/2008	Song et al. ....	D12/169



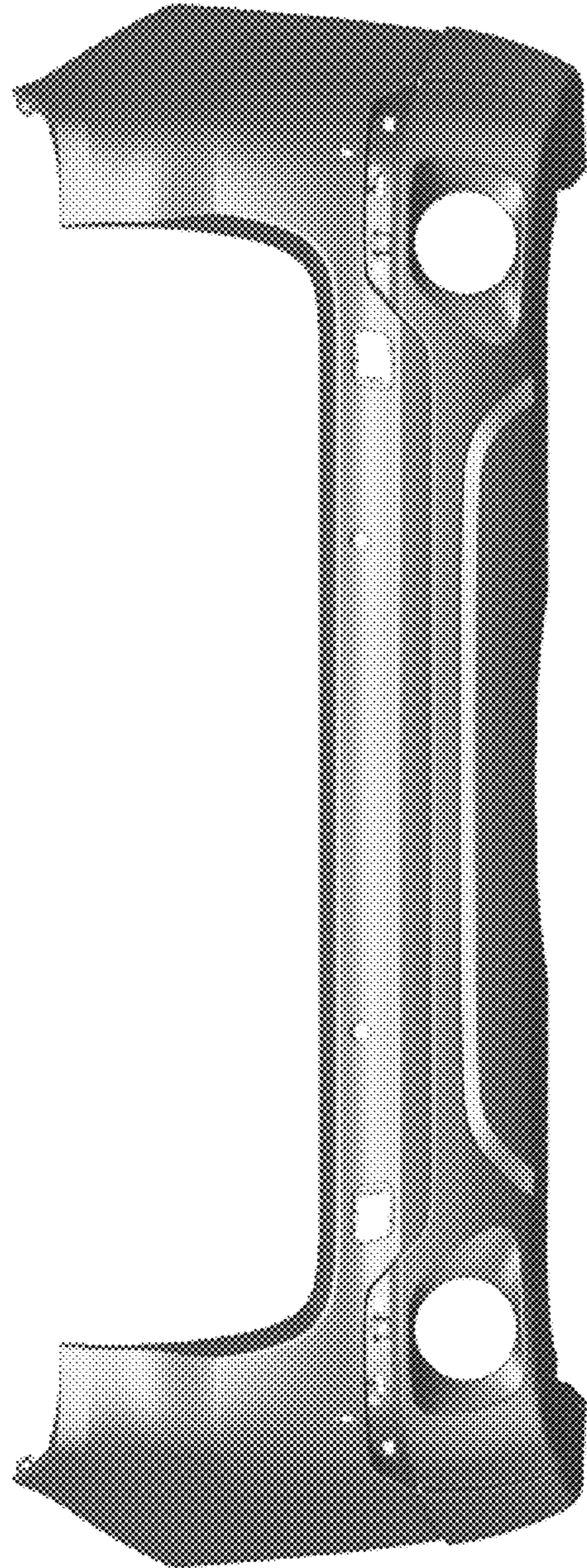


Fig. 1

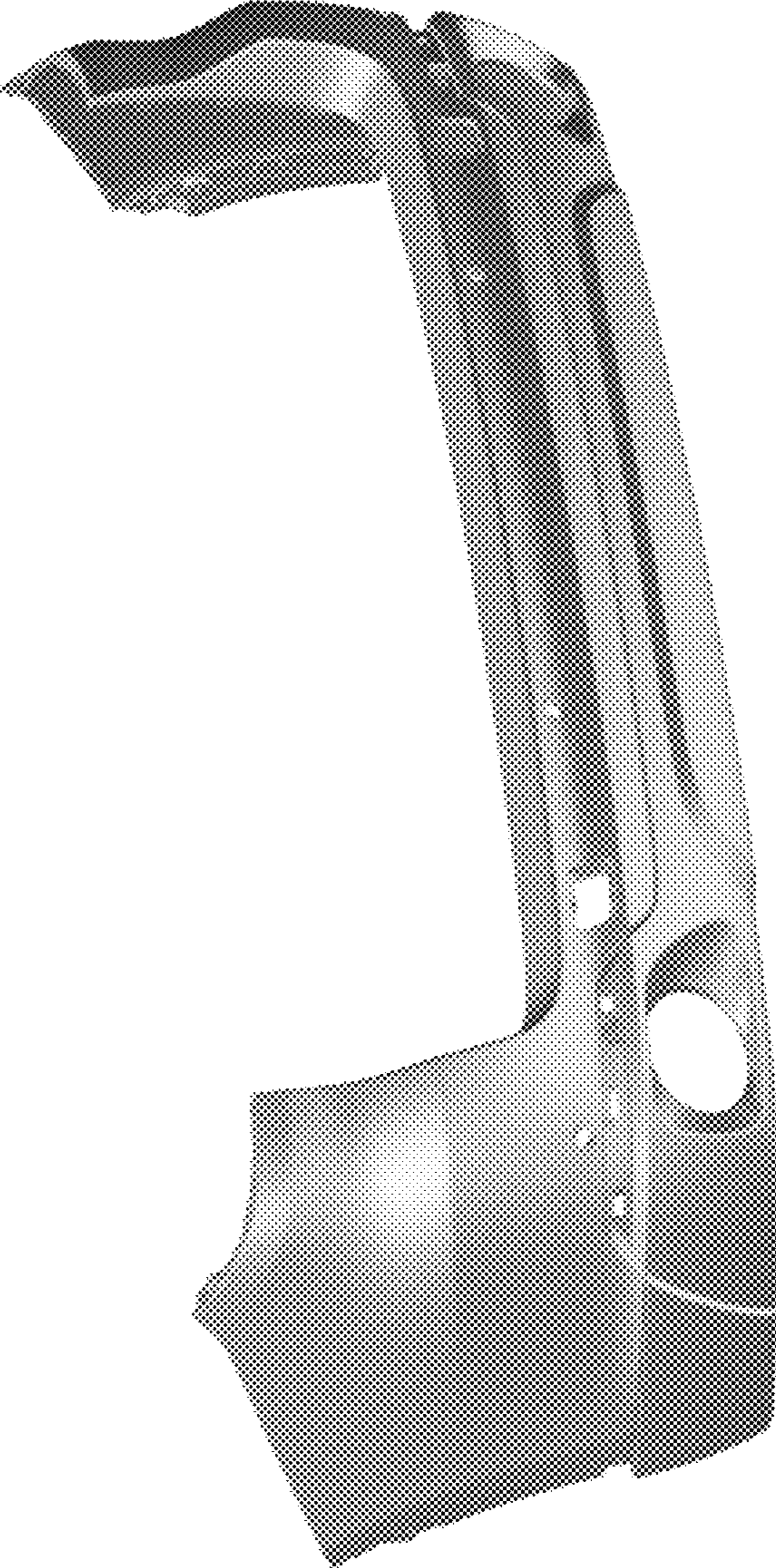


Fig. 2



Fig. 3

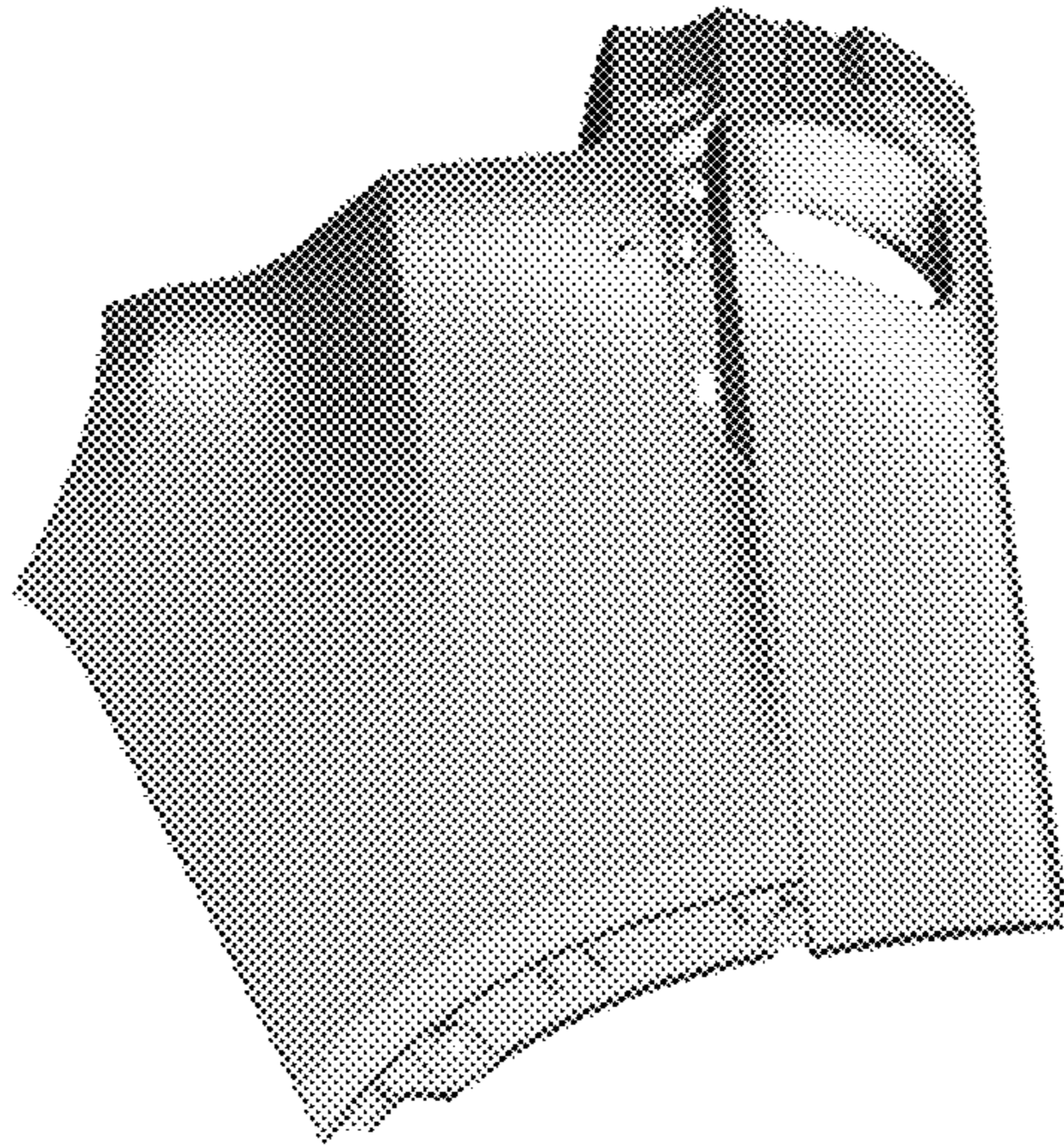


Fig. 4

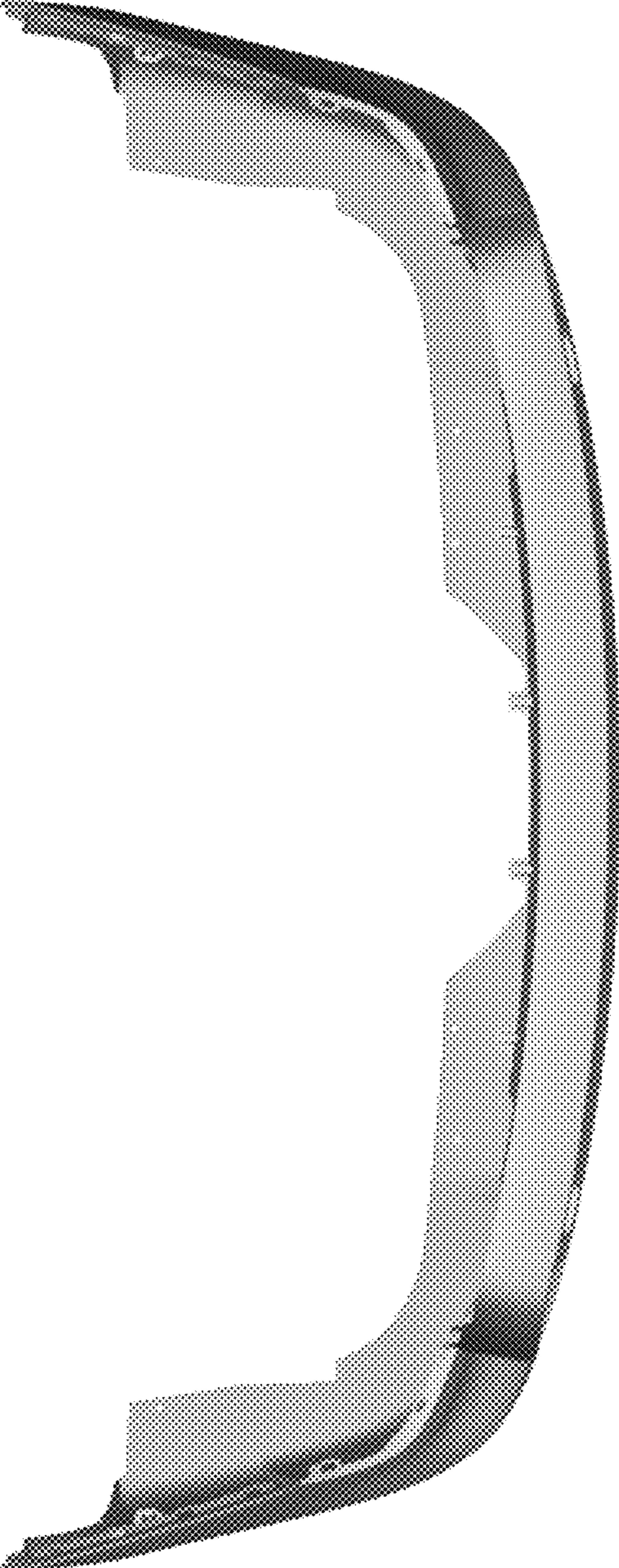


Fig. 5

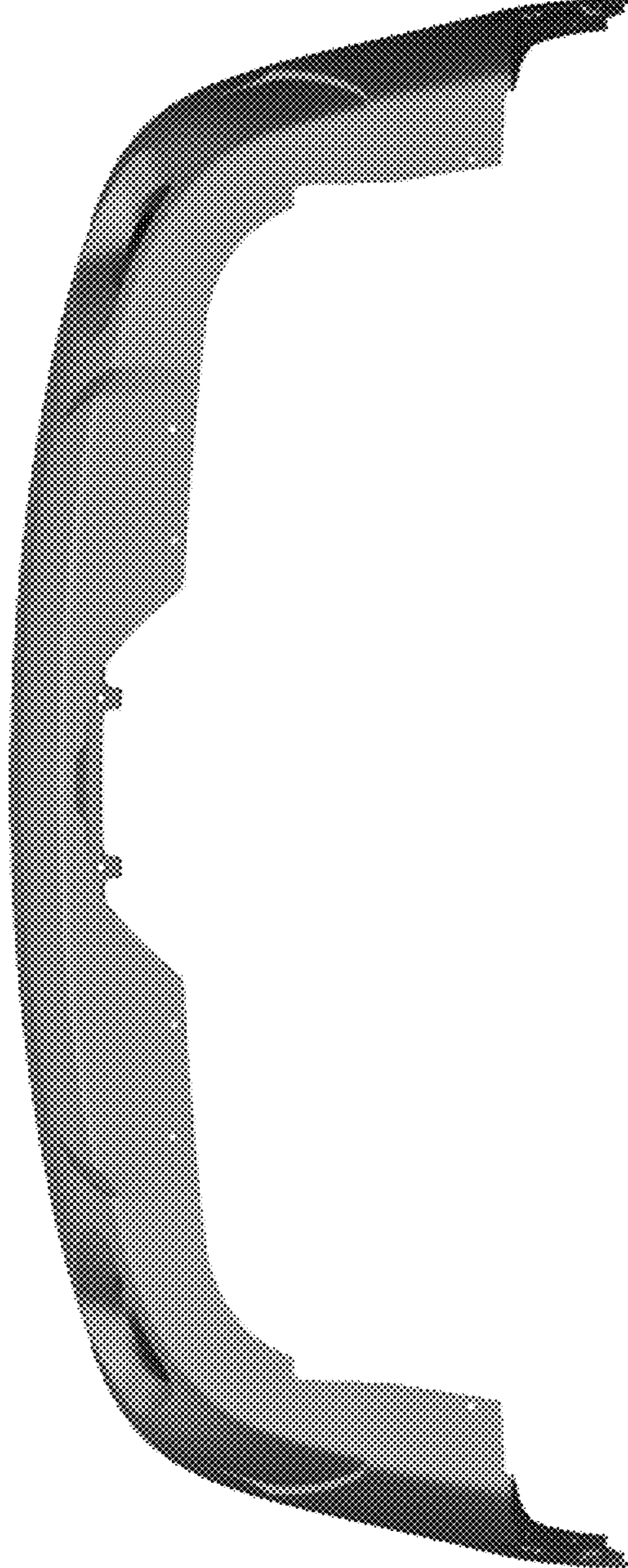


Fig. 6

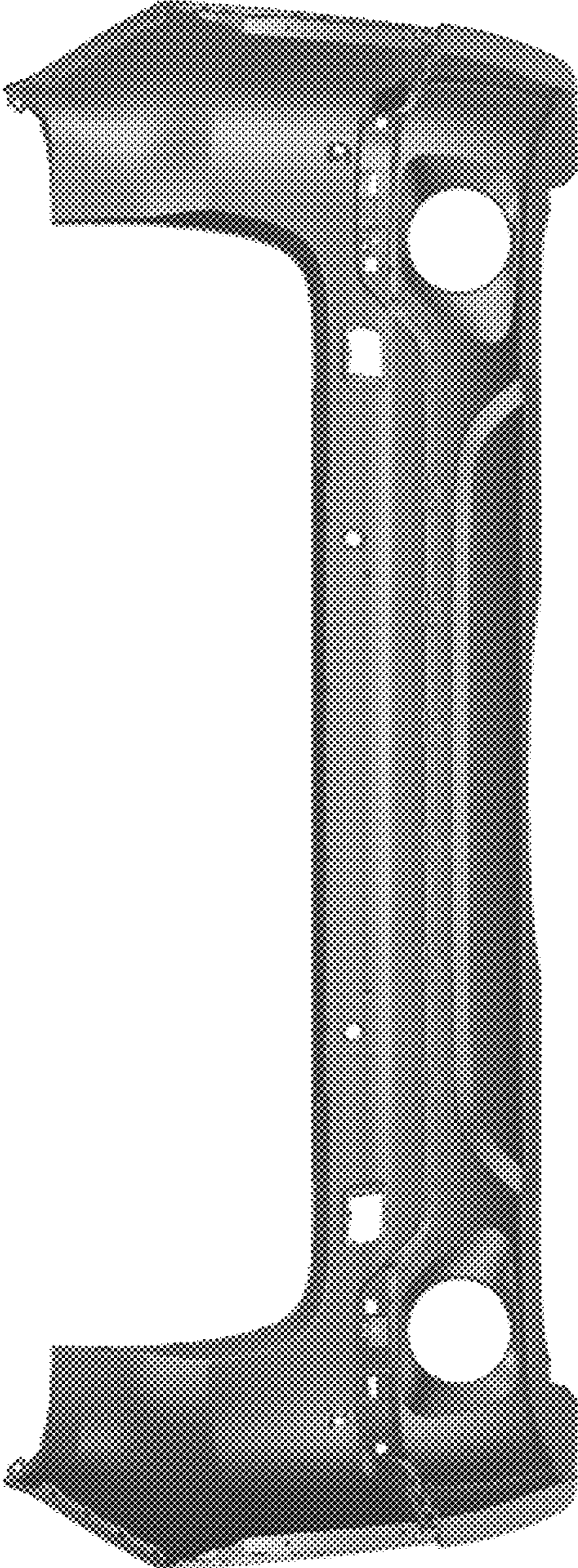


Fig. 7