



US00D715704S

(12) **United States Design Patent**  
**Steinhauser**

(10) **Patent No.:** **US D715,704 S**

(45) **Date of Patent:** **\*\* Oct. 21, 2014**

(54) **VEHICLE GRILLE**

(71) Applicant: **Daniel Paul Steinhauser**, West Palm Beach, FL (US)

(72) Inventor: **Daniel Paul Steinhauser**, West Palm Beach, FL (US)

(\*\*) Term: **14 Years**

(21) Appl. No.: **29/459,124**

(22) Filed: **Jun. 26, 2013**

(51) **LOC (10) Cl.** ..... **12-16**

(52) **U.S. Cl.**  
USPC ..... **D12/163**

(58) **Field of Classification Search**  
CPC ..... B62D 25/08  
USPC ..... D12/163, 196, 86, 90-92, 171, 169,  
D12/216; 180/68.1, 68.6; 293/193.11, 115  
See application file for complete search history.

(56) **References Cited**

**U.S. PATENT DOCUMENTS**

- D577,636 S \* 9/2008 Saridakis et al. .... D12/163
- D584,196 S \* 1/2009 Ebel et al. .... D12/163
- D584,197 S \* 1/2009 Song et al. .... D12/163

- D586,267 S \* 2/2009 Ebel et al. .... D12/163
- D587,175 S \* 2/2009 Bauer et al. .... D12/163
- D596,540 S \* 7/2009 Hayashi et al. .... D12/163
- D603,755 S \* 11/2009 Peters ..... D12/92
- D608,249 S \* 1/2010 Peters ..... D12/92
- D624,468 S \* 9/2010 Wong ..... D12/163
- D628,522 S \* 12/2010 Fesler et al. .... D12/163
- D678,135 S \* 3/2013 Behmer et al. .... D12/163
- D687,749 S \* 8/2013 Fetherston et al. .... D12/163

\* cited by examiner

*Primary Examiner* — Melody Brown

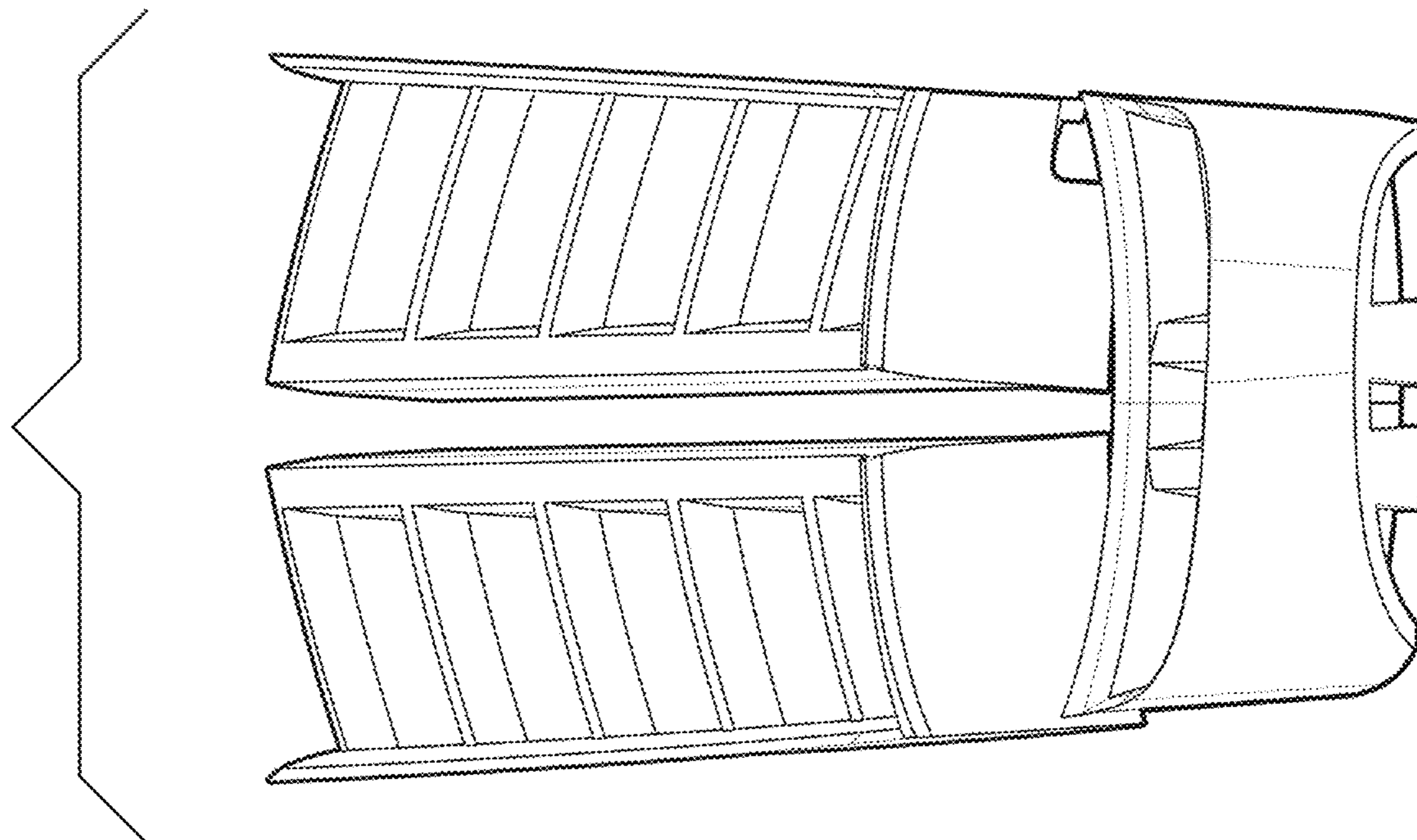
(57) **CLAIM**

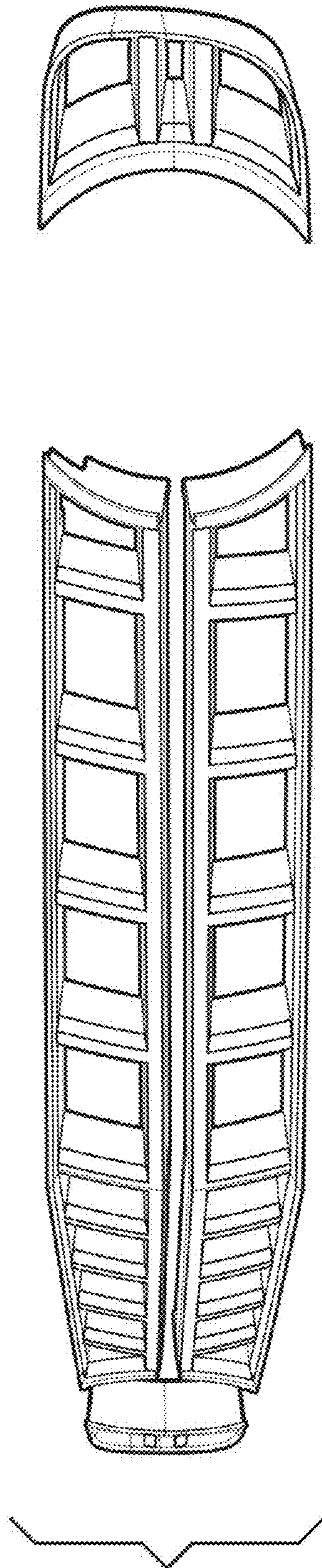
The ornamental design for a vehicle grille, as shown and described.

**DESCRIPTION**

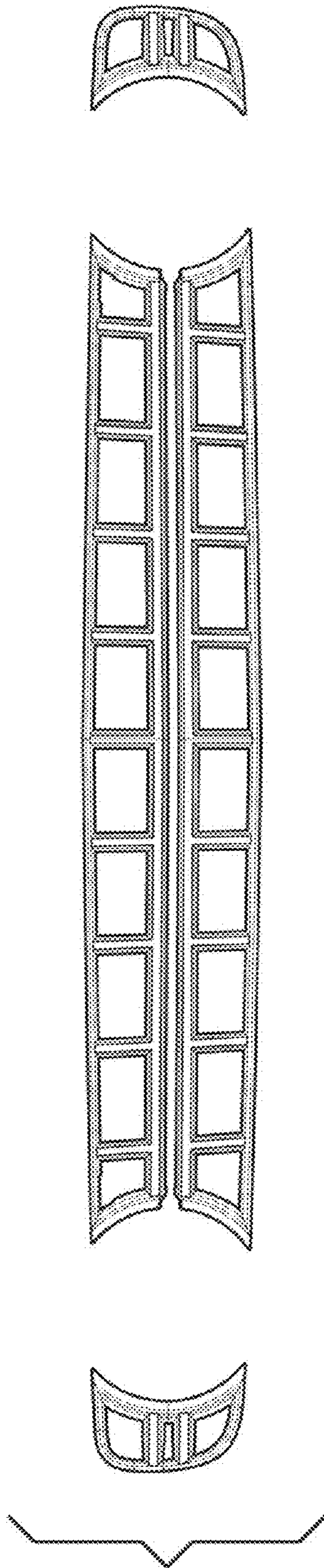
FIG. 1 is a side and front perspective view of a vehicle grille showing my new design;  
 FIG. 2 is a front elevational view thereof;  
 FIG. 3 is a side elevational view thereof, the opposite side being a mirror image thereof;  
 FIG. 4 is top plan view thereof;  
 FIG. 5 is a bottom plan view thereof;  
 FIG. 6 is a top, front and side perspective view thereof; and,  
 FIG. 7 is a top and front perspective view thereof.

**1 Claim, 7 Drawing Sheets**

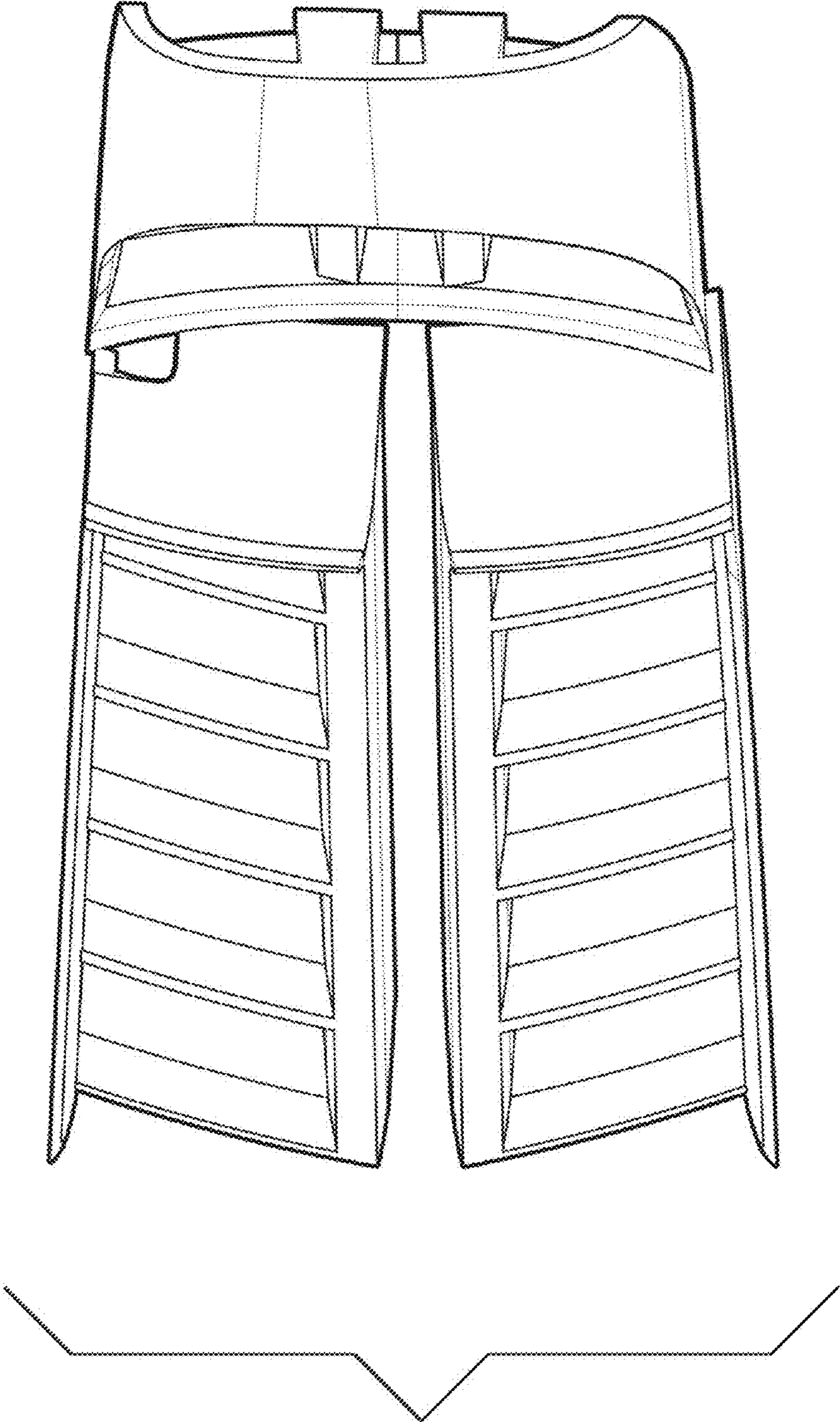




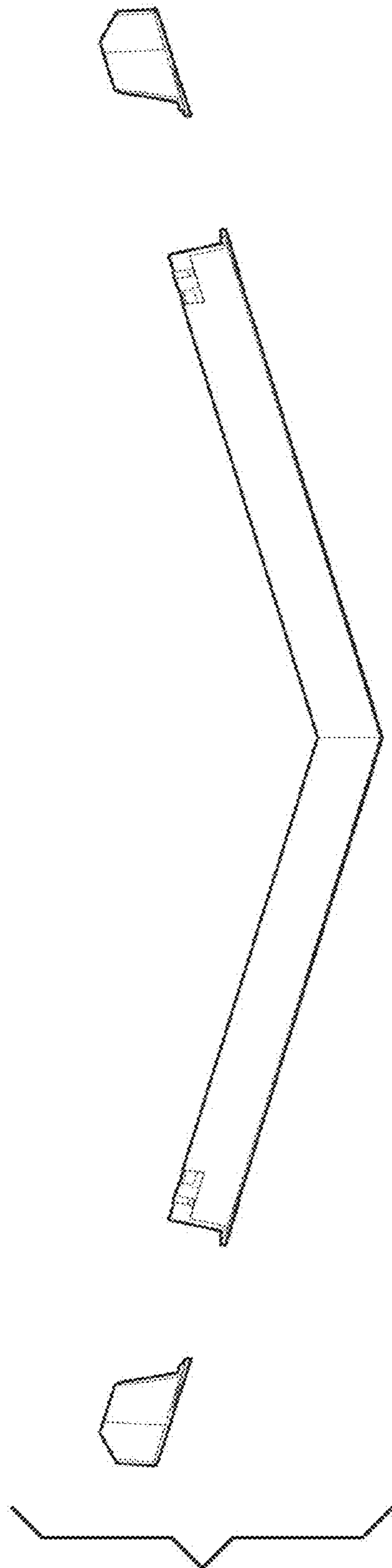
**FIG. 1**



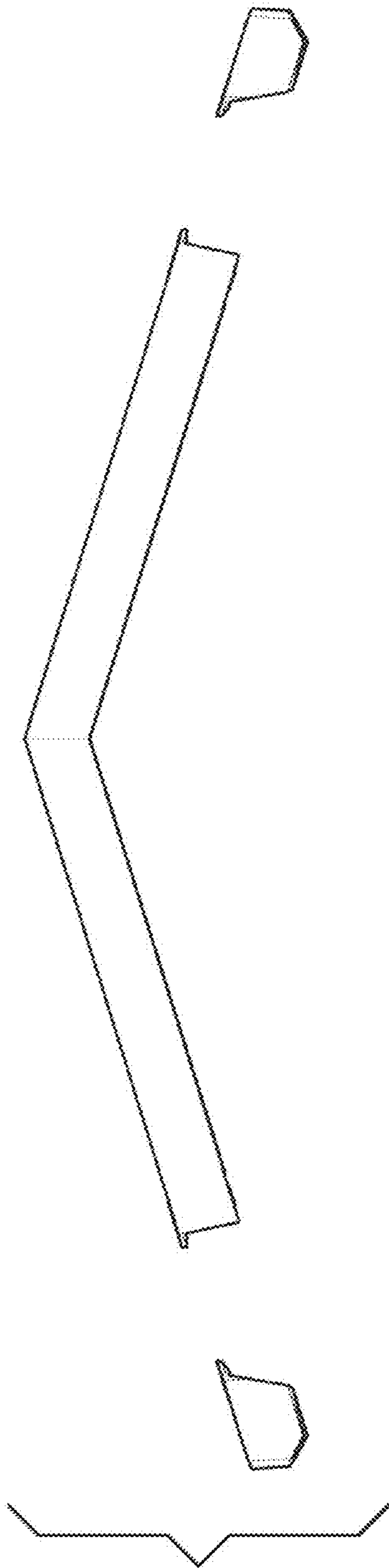
**FIG. 2**



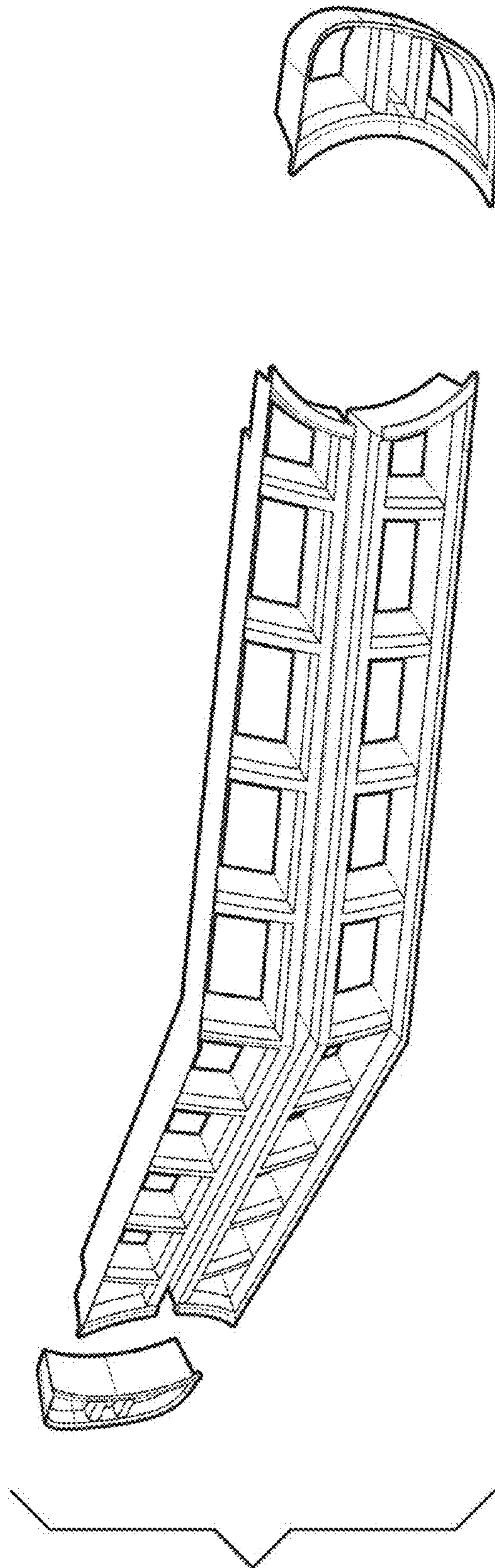
**FIG. 3**



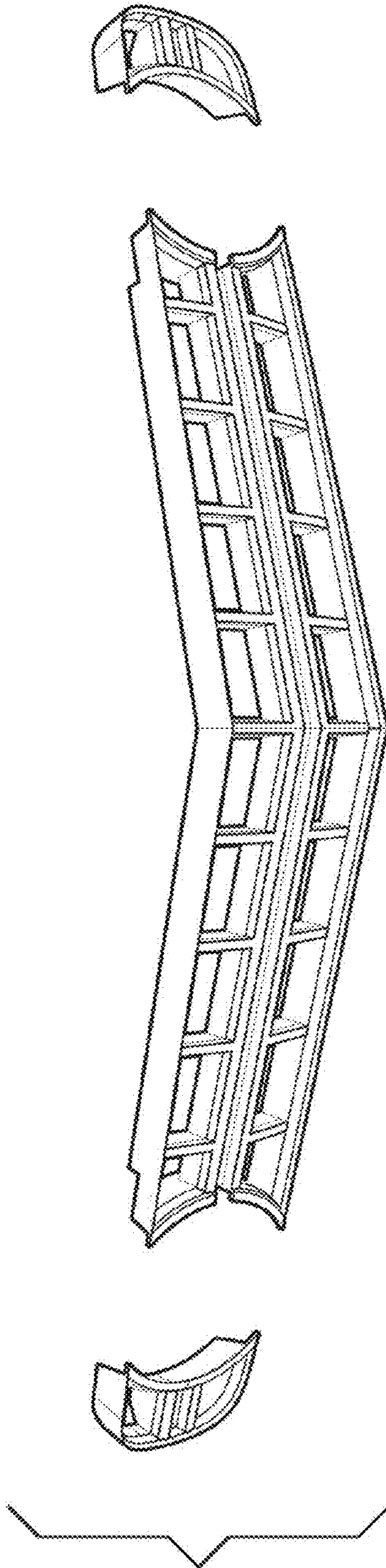
**FIG. 4**



**FIG. 5**



**FIG. 6**



**FIG. 7**