



US00D715702S

(12) **United States Design Patent**  
**Chen**

(10) **Patent No.:** **US D715,702 S**  
(45) **Date of Patent:** **\*\* Oct. 21, 2014**

(54) **STROLLER**

(71) Applicant: **Way-Hong Chen**, Taipei (TW)

(72) Inventor: **Way-Hong Chen**, Taipei (TW)

(\*\*) Term: **14 Years**

(21) Appl. No.: **29/478,060**

(22) Filed: **Dec. 31, 2013**

(51) **LOC (10) Cl.** ..... **12-12**

(52) **U.S. Cl.**  
USPC ..... **D12/129**

(58) **Field of Classification Search**  
USPC ..... D12/128-133; 280/62, 647-650, 29,  
280/200, 47.38, 250.1, 259, 642, 658,  
280/304.1; 128/99.1, 100.1

See application file for complete search history.

(56) **References Cited**

**U.S. PATENT DOCUMENTS**

|                |         |             |       |           |
|----------------|---------|-------------|-------|-----------|
| D451,434 S *   | 12/2001 | Hsia        | ..... | D12/129   |
| D486,430 S *   | 2/2004  | Chang       | ..... | D12/129   |
| D519,422 S *   | 4/2006  | Huang       | ..... | D12/129   |
| 7,267,359 B1 * | 9/2007  | Yang et al. | ..... | 280/642   |
| D566,013 S *   | 4/2008  | Wang        | ..... | D12/129   |
| 7,364,171 B2 * | 4/2008  | Hu          | ..... | 280/47.38 |

|              |         |                 |       |         |
|--------------|---------|-----------------|-------|---------|
| D578,936 S * | 10/2008 | Chen            | ..... | D12/129 |
| D621,306 S * | 8/2010  | Liao            | ..... | D12/129 |
| D643,344 S * | 8/2011  | Barenbrug       | ..... | D12/129 |
| D643,345 S * | 8/2011  | Barenbrug       | ..... | D12/129 |
| D643,346 S * | 8/2011  | Barenbrug       | ..... | D12/129 |
| D643,786 S * | 8/2011  | Barenbrug       | ..... | D12/129 |
| D672,692 S * | 12/2012 | Jane Santamaria | ..... | D12/129 |

\* cited by examiner

*Primary Examiner* — Ian Simmons

*Assistant Examiner* — Charles Hanson

(74) *Attorney, Agent, or Firm* — Alan Kamrath; Kamrath IP Lawfirm, P.A.

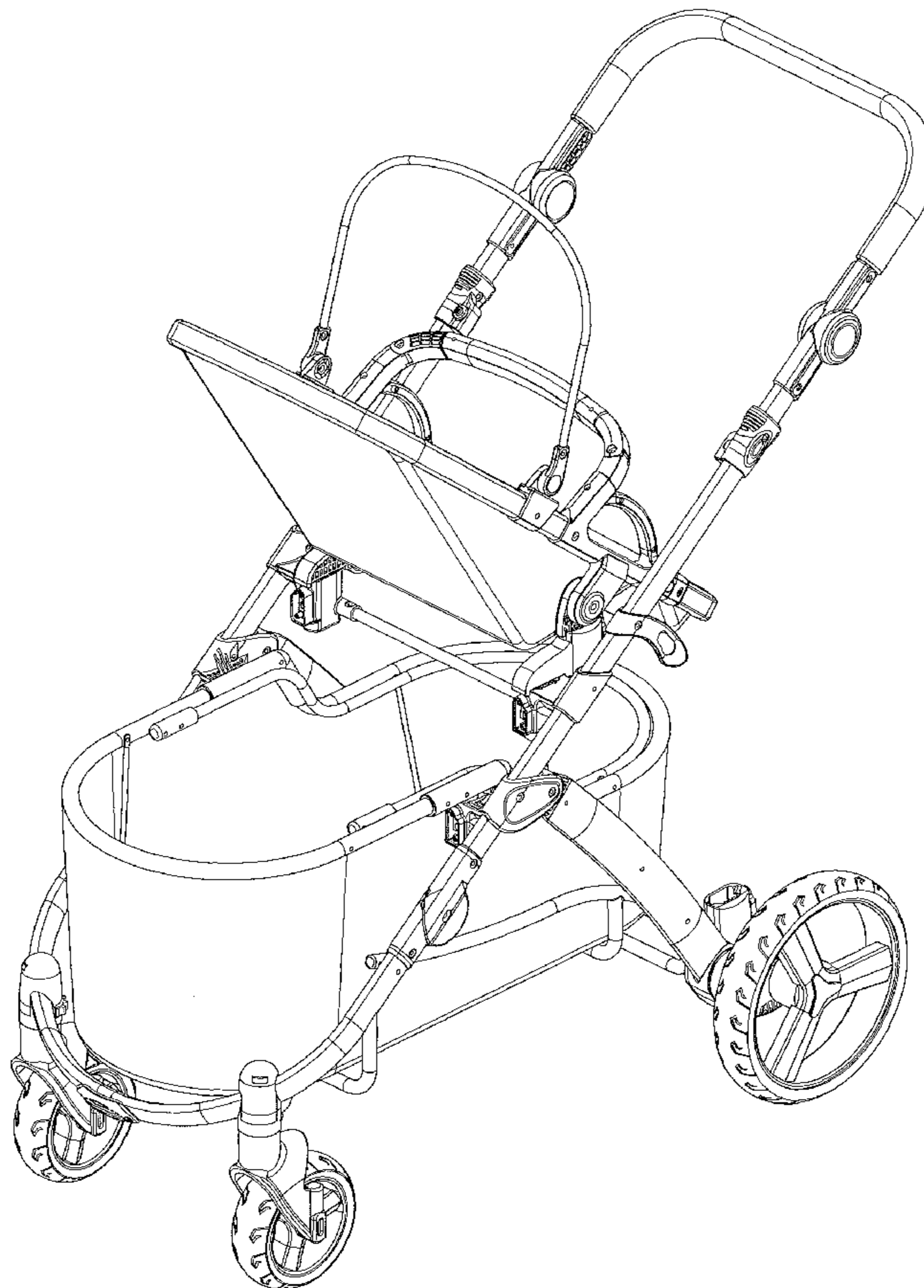
(57) **CLAIM**

The ornamental design for a stroller, as shown and described.

**DESCRIPTION**

FIG. 1 is a perspective view of a stroller showing my design; FIG. 2 is a front elevational view thereof; FIG. 3 is a rear elevational view thereof; FIG. 4 is a left side elevational view thereof; FIG. 5 is a right side elevational view thereof; FIG. 6 is a top plan view thereof; and, FIG. 7 is a bottom plan view thereof.

**1 Claim, 7 Drawing Sheets**



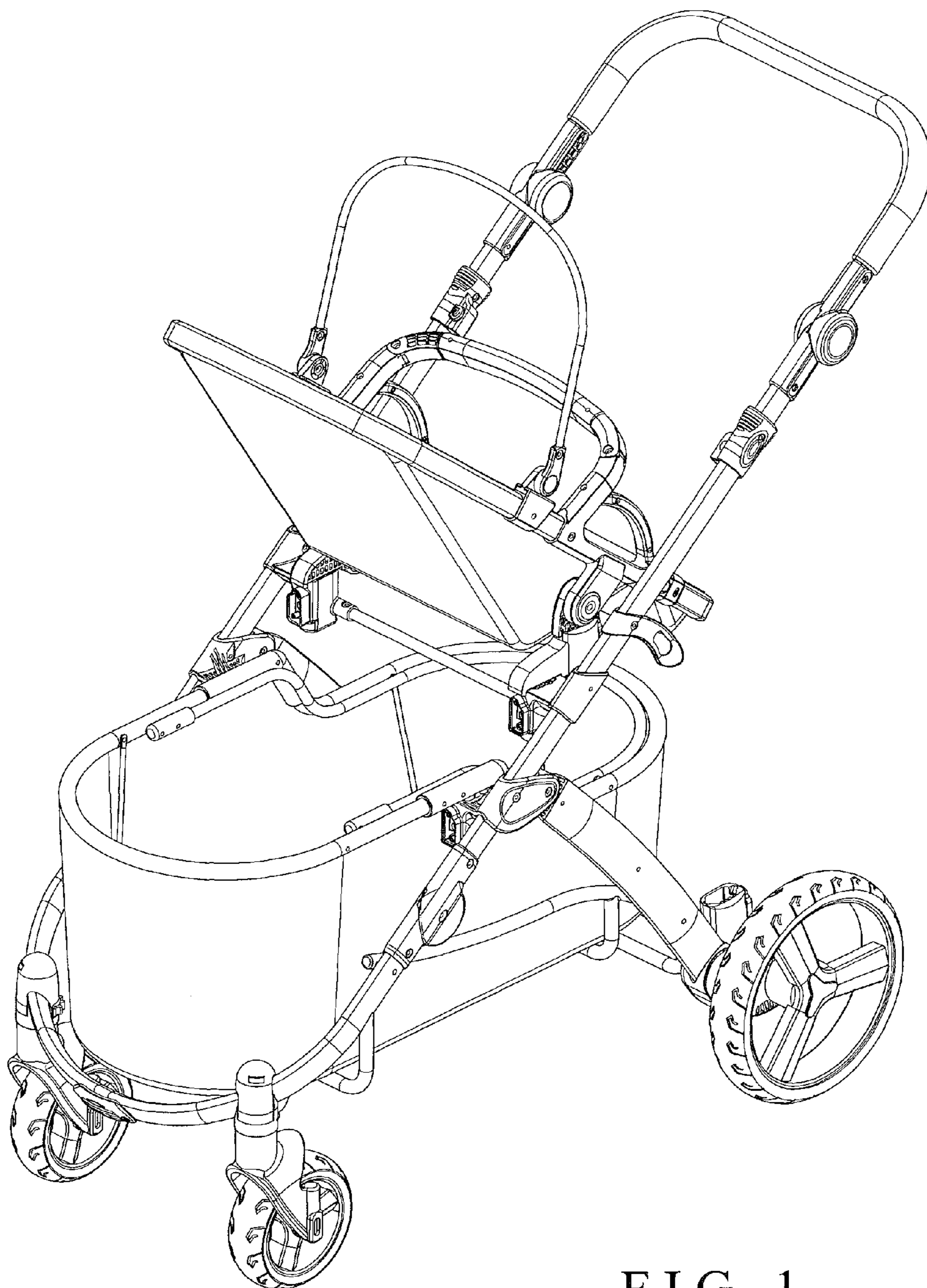


FIG. 1

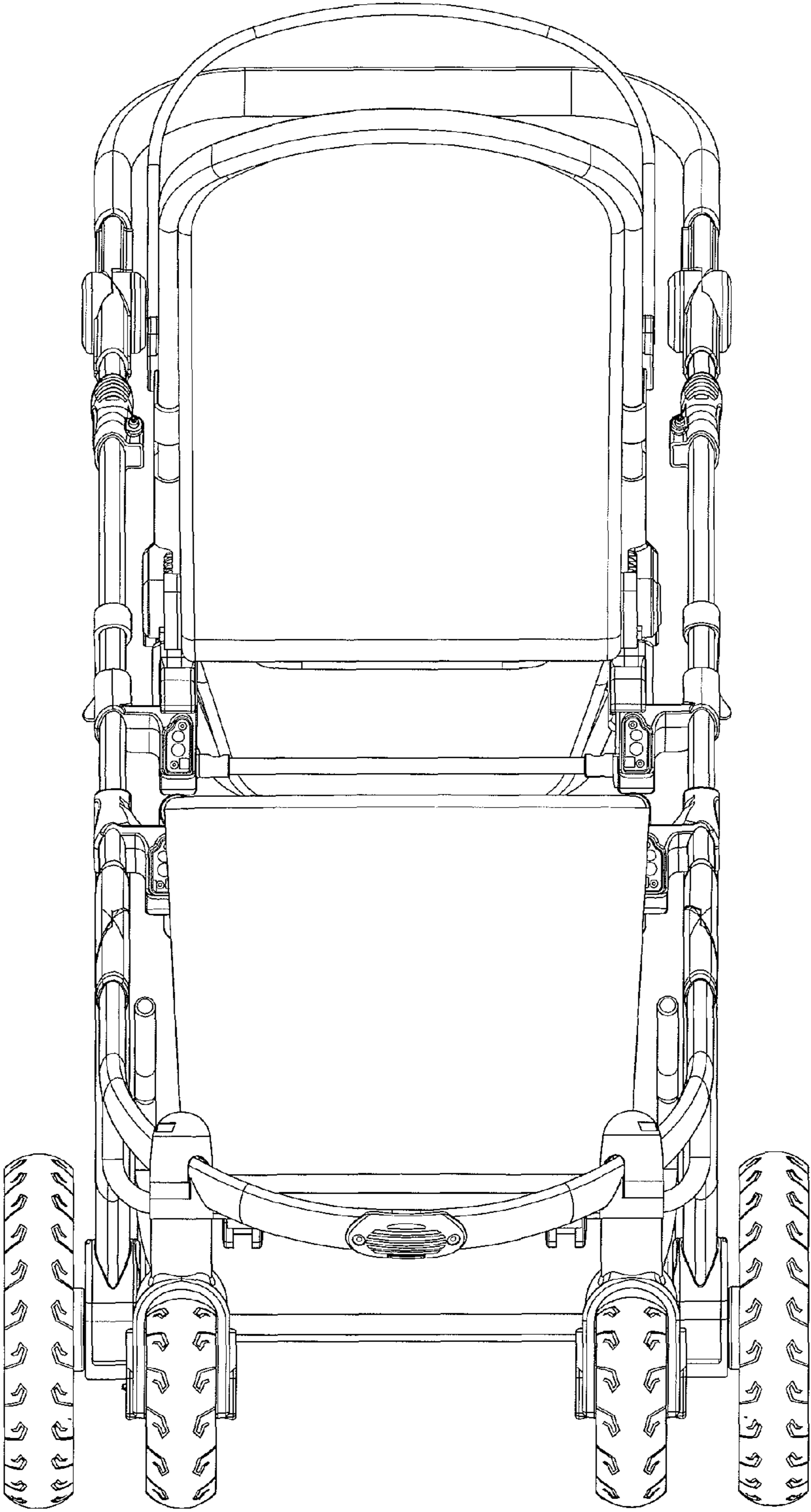


FIG. 2

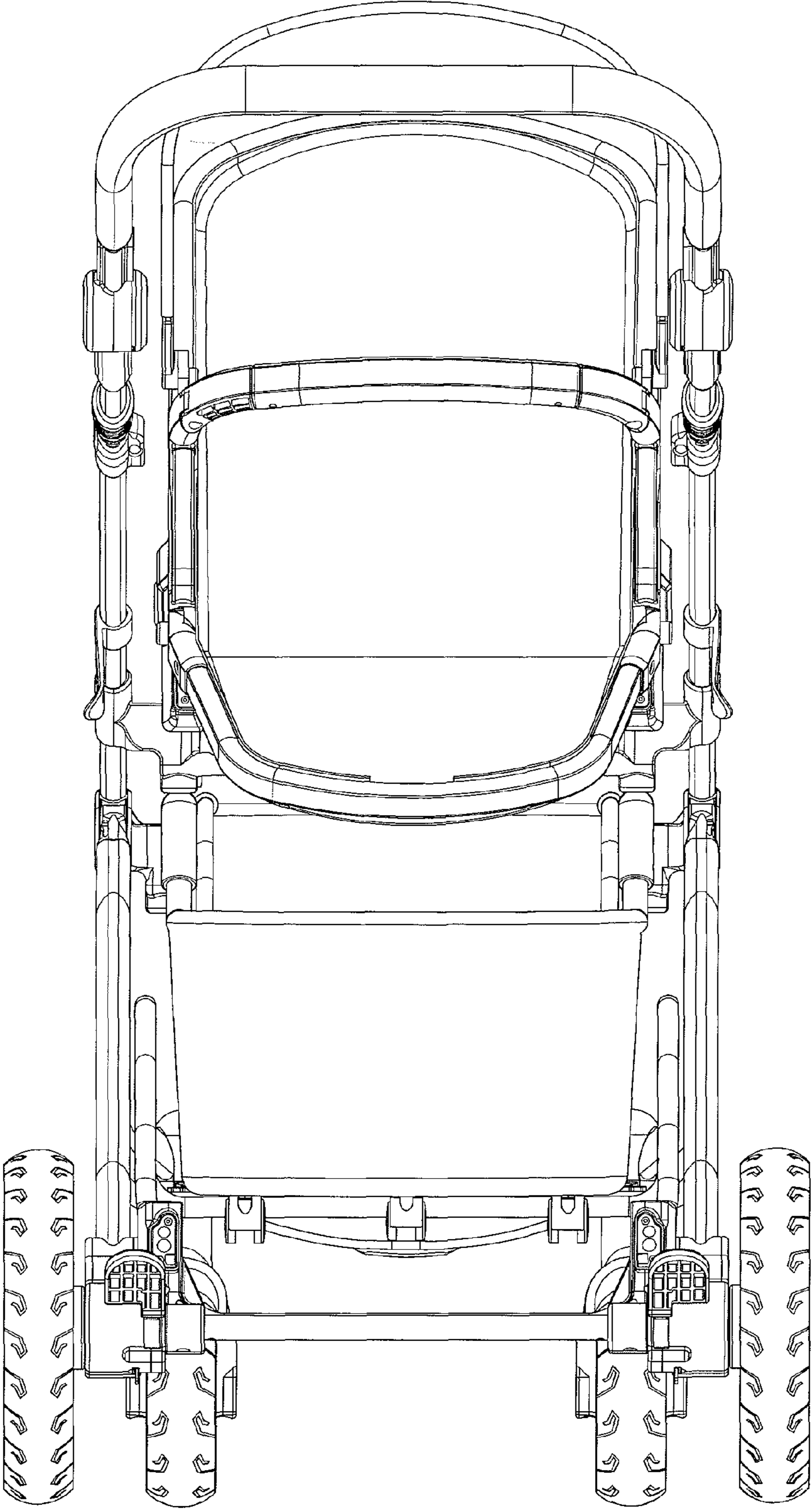


FIG. 3

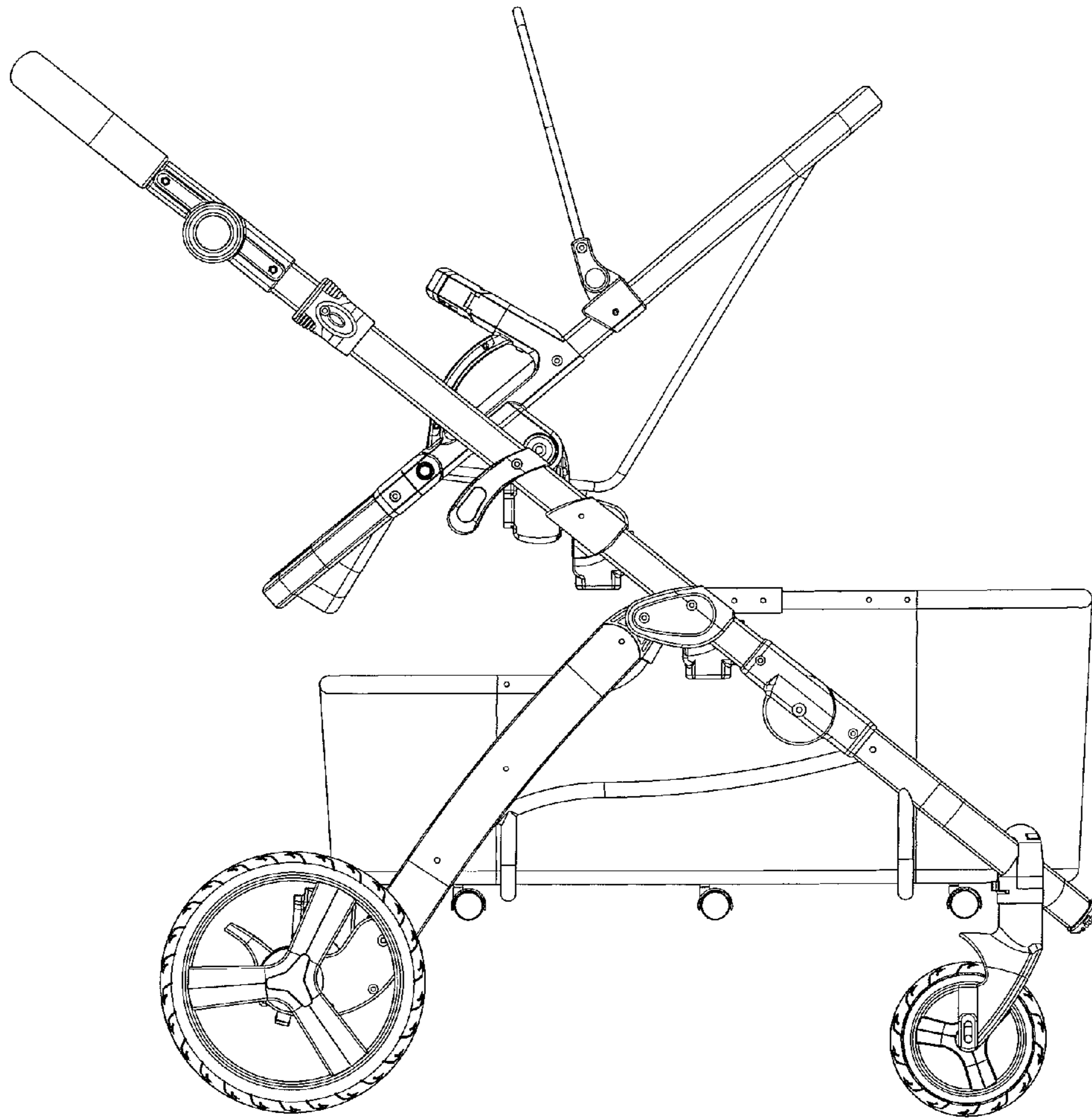


FIG. 4

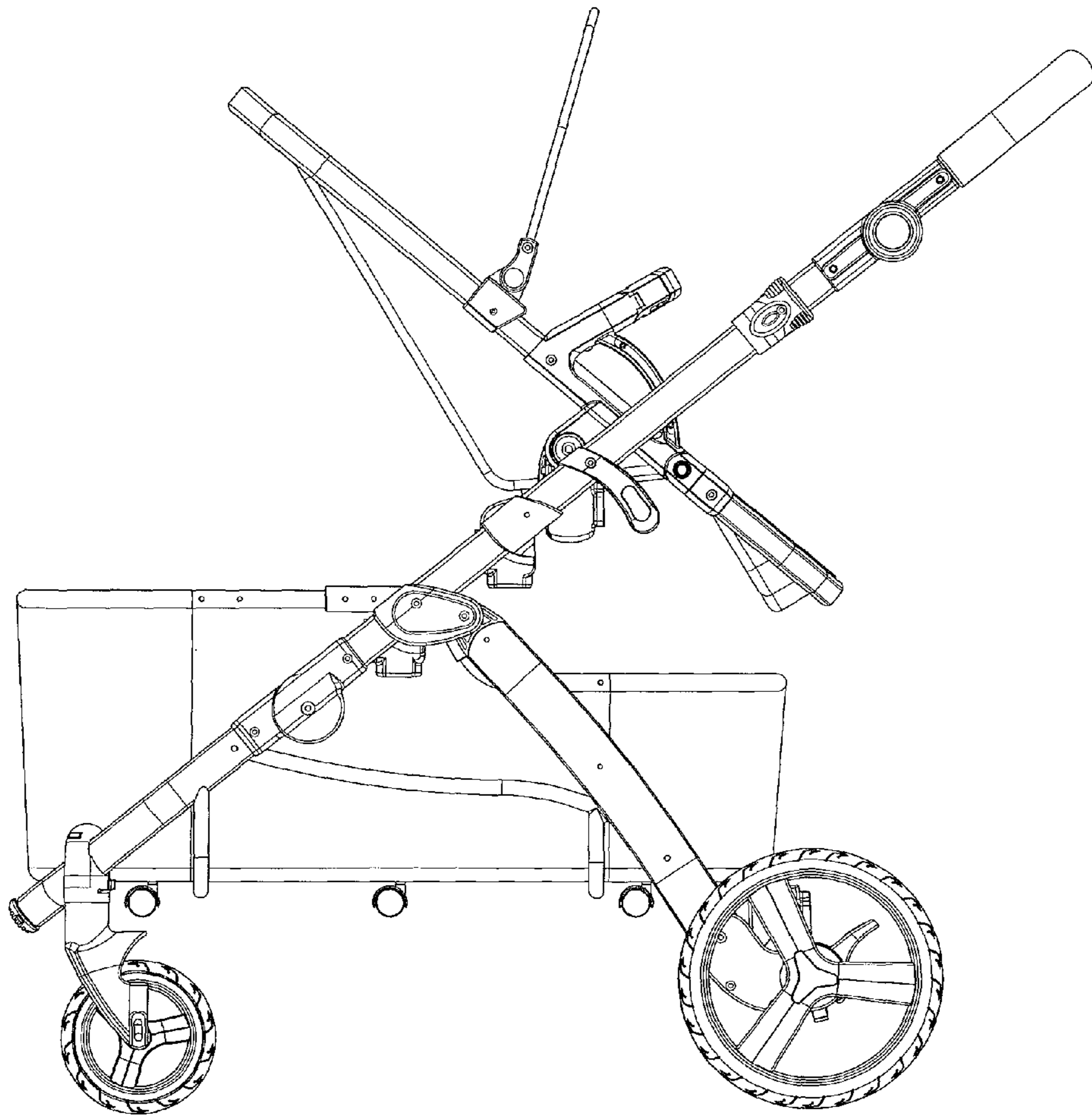


FIG. 5

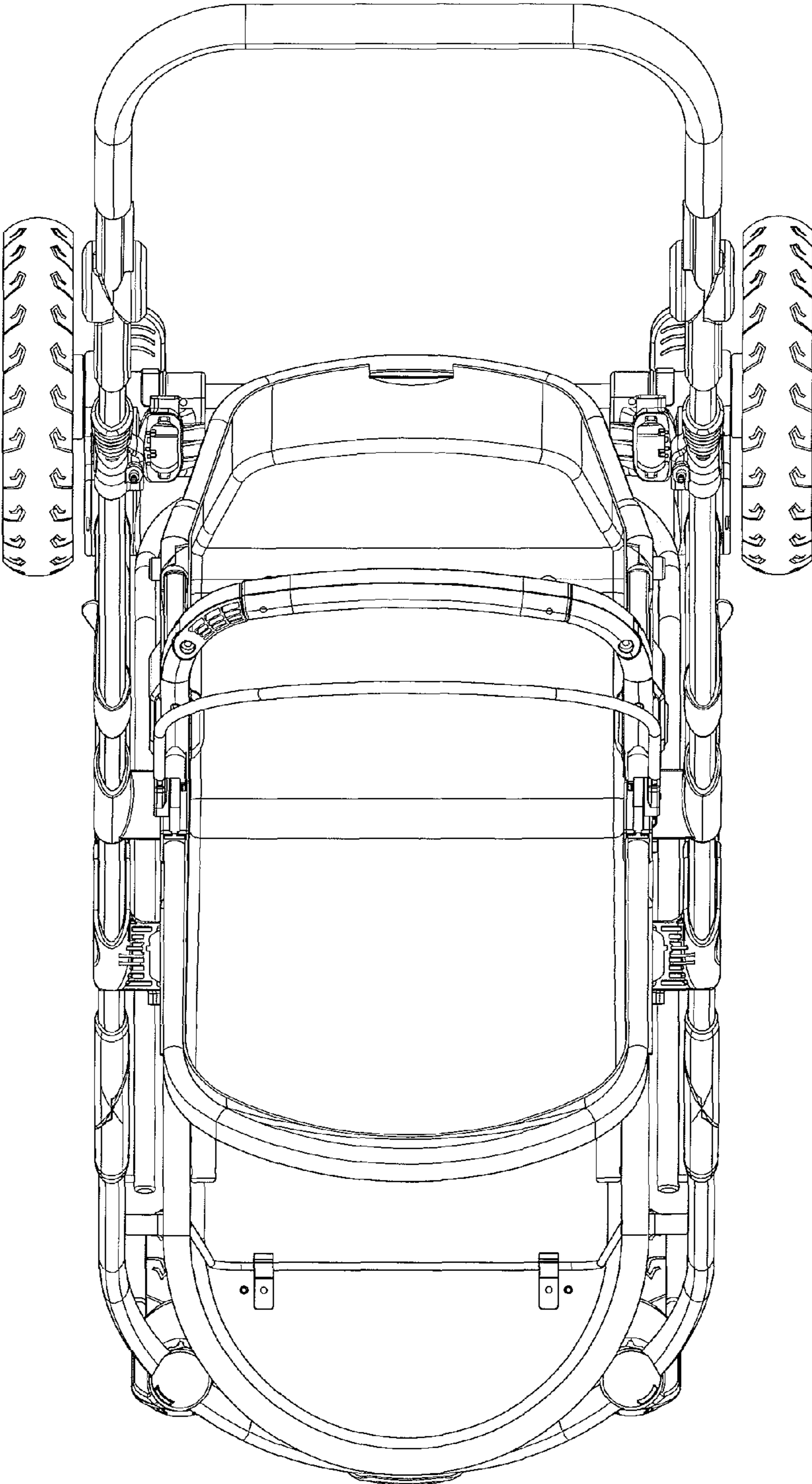


FIG. 6

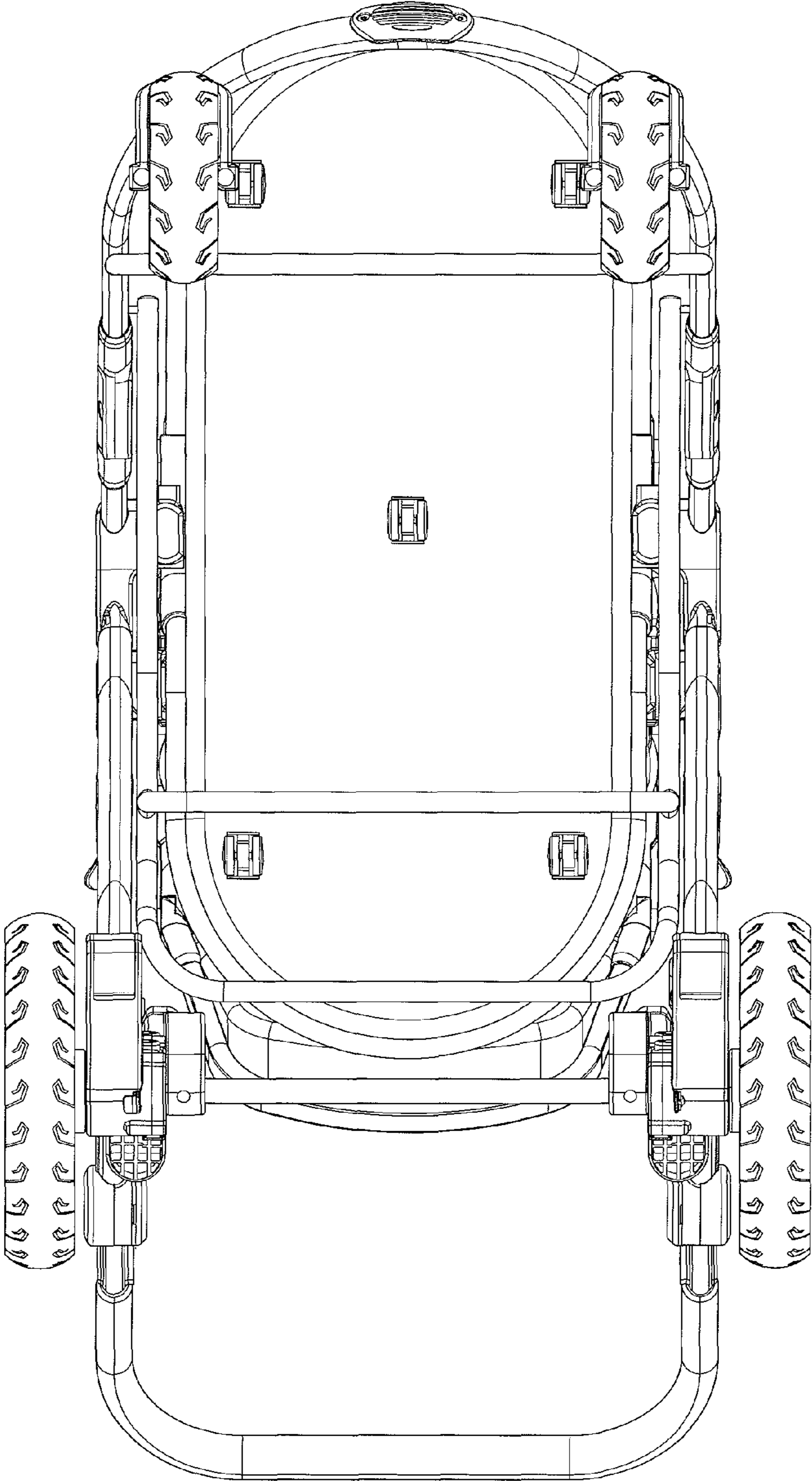


FIG. 7