



US00D715701S

(12) **United States Design Patent**
Chen

(10) **Patent No.:** **US D715,701 S**

(45) **Date of Patent:** **** Oct. 21, 2014**

(54) **STROLLER FRAME**

(71) Applicant: **Way-Hong Chen**, Taipei (TW)

(72) Inventor: **Way-Hong Chen**, Taipei (TW)

(**) Term: **14 Years**

(21) Appl. No.: **29/469,913**

(22) Filed: **Oct. 16, 2013**

(51) **LOC (10) Cl.** **12-12**

(52) **U.S. Cl.**
USPC **D12/129**

(58) **Field of Classification Search**
USPC D12/128-133; 280/62, 647-650, 29,
280/200, 47.38, 250.1, 259, 642, 658,
280/304.1; 128/99.1, 100.1
See application file for complete search history.

(56) **References Cited**

U.S. PATENT DOCUMENTS

D451,434 S *	12/2001	Hsia	D12/129
D486,430 S *	2/2004	Chang	D12/129
D519,421 S *	4/2006	Huang	D12/129
D519,422 S *	4/2006	Huang	D12/129
7,267,359 B1 *	9/2007	Yang et al.	280/642
D566,013 S *	4/2008	Wang	D12/129

7,364,171 B2 *	4/2008	Hu	280/47.38
D571,263 S *	6/2008	Lai	D12/129
D578,045 S *	10/2008	Liao	D12/129
D578,936 S *	10/2008	Chen	D12/129
D621,306 S *	8/2010	Liao	D12/129
D654,406 S *	2/2012	Henry	D12/129
D661,624 S *	6/2012	Stopp	D12/129

* cited by examiner

Primary Examiner — Ian Simmons

Assistant Examiner — Charles Hanson

(74) *Attorney, Agent, or Firm* — Alan Kamrath; Kamrath IP Lawfirm, P.A.

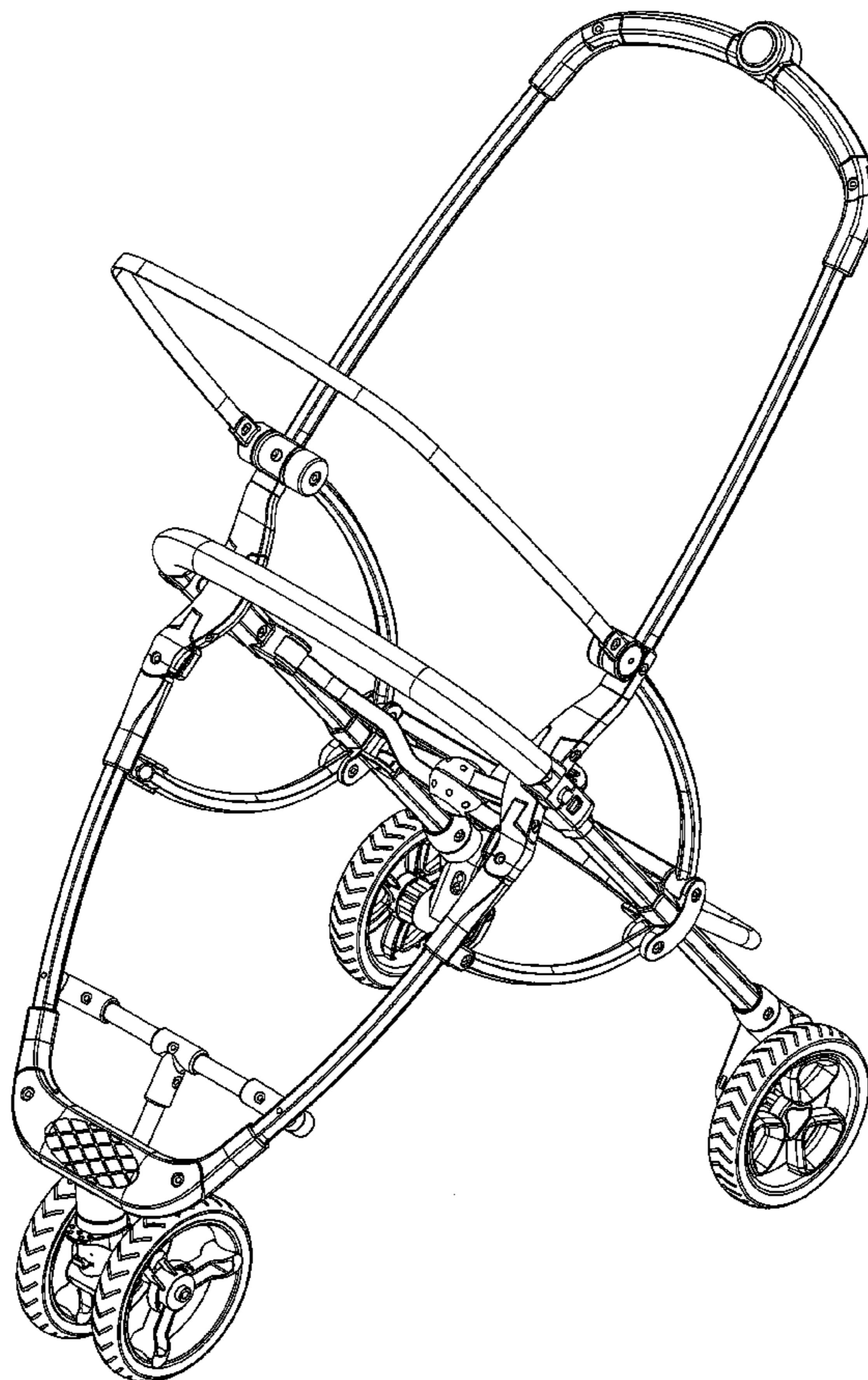
(57) **CLAIM**

The ornamental design for a stroller frame, as shown and described.

DESCRIPTION

FIG. 1 is a perspective view of a stroller frame showing my design;
FIG. 2 is a front elevational view thereof;
FIG. 3 is a rear elevational view thereof;
FIG. 4 is a left side elevational view thereof;
FIG. 5 is a right side elevational view thereof;
FIG. 6 is a top plan view thereof; and,
FIG. 7 is a bottom plan view thereof.

1 Claim, 7 Drawing Sheets



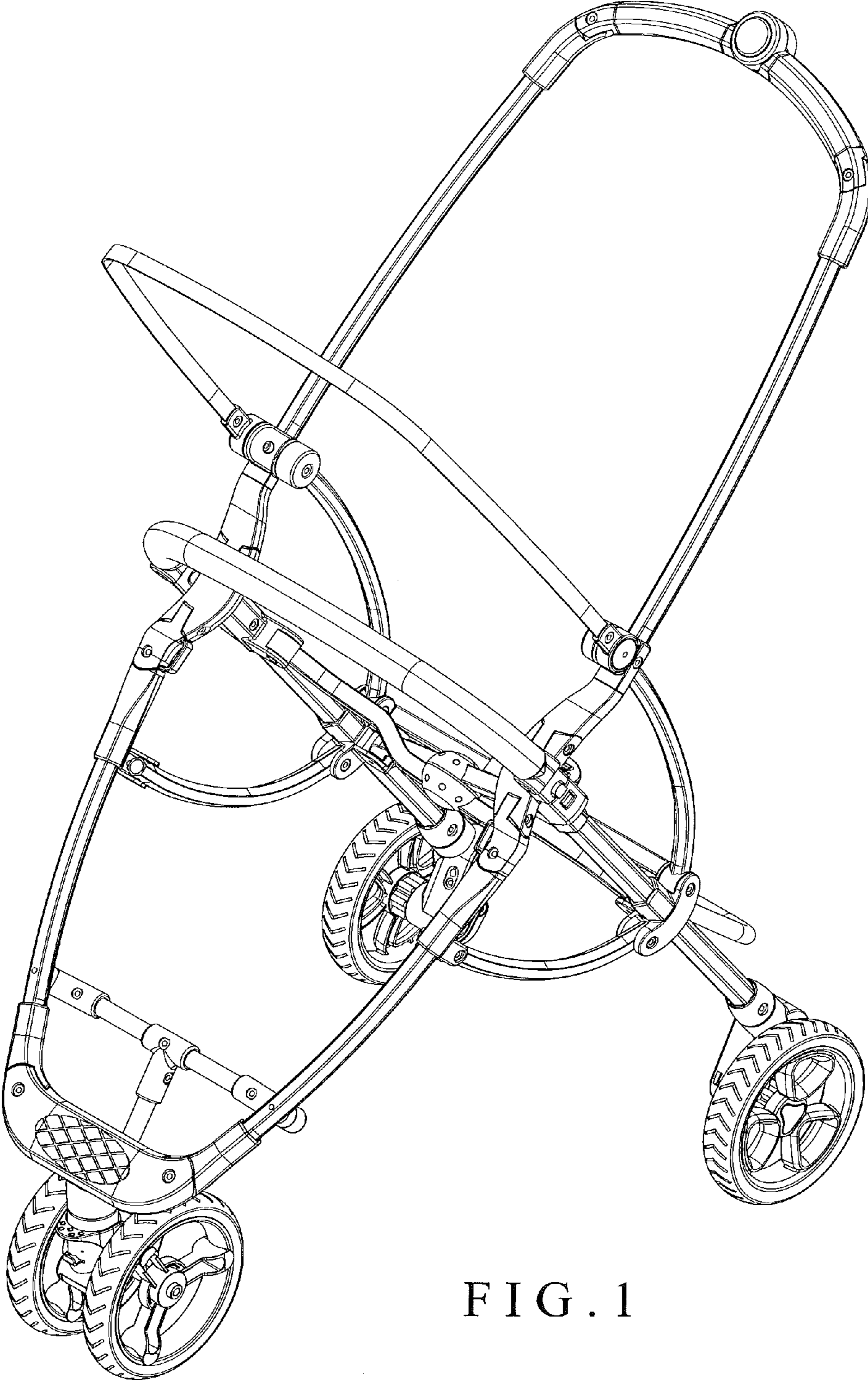


FIG. 1

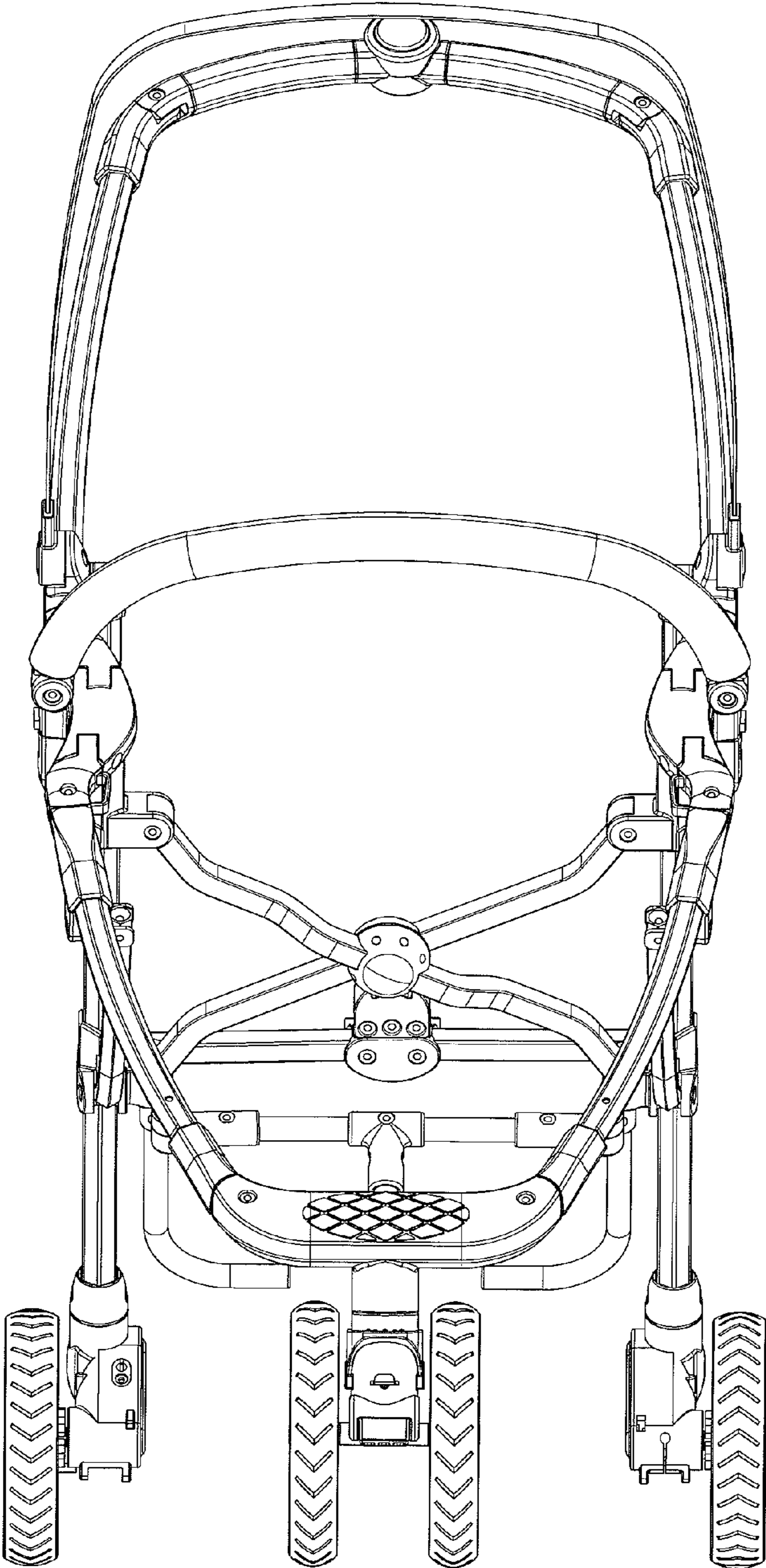


FIG. 2

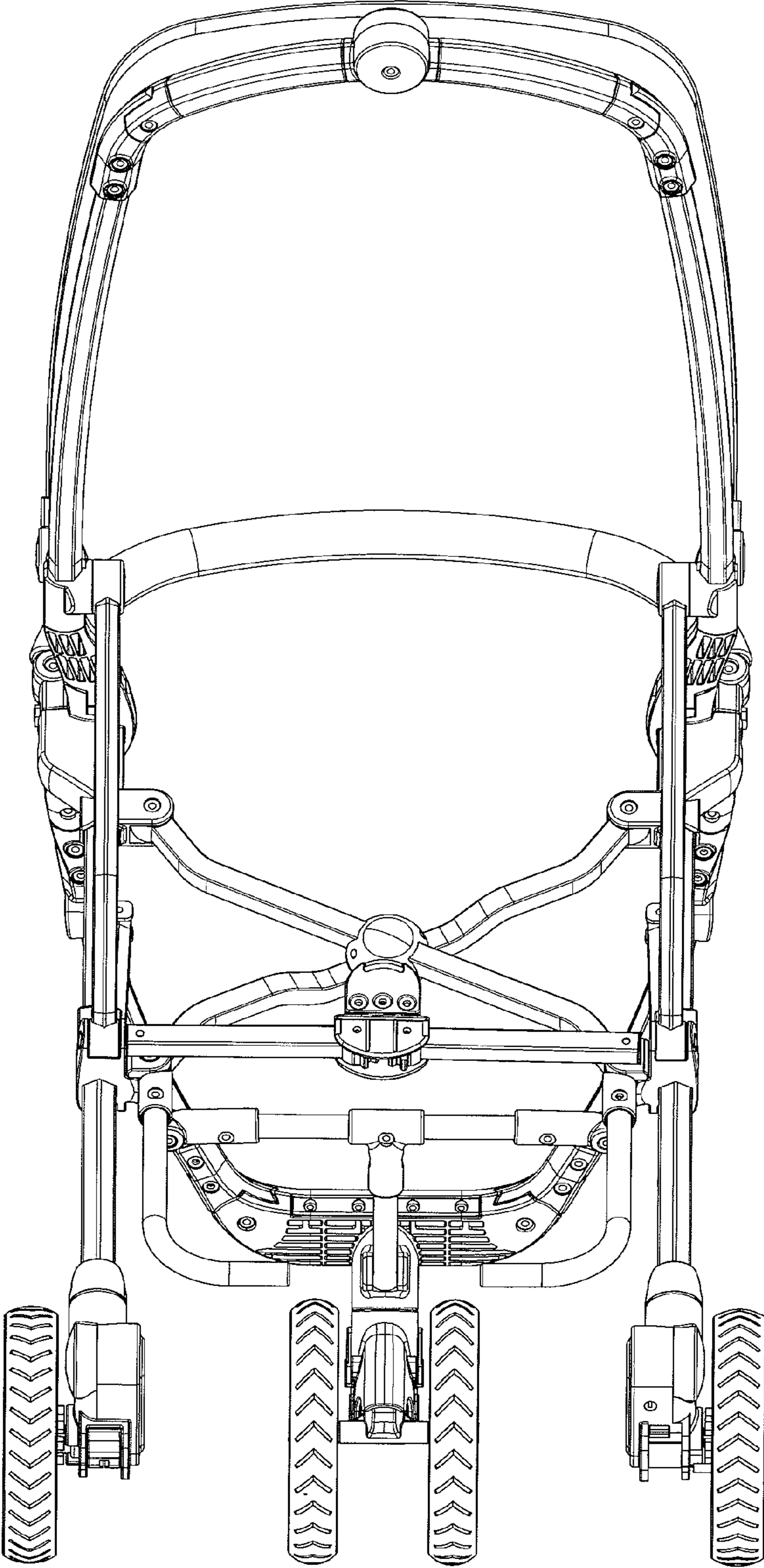


FIG. 3

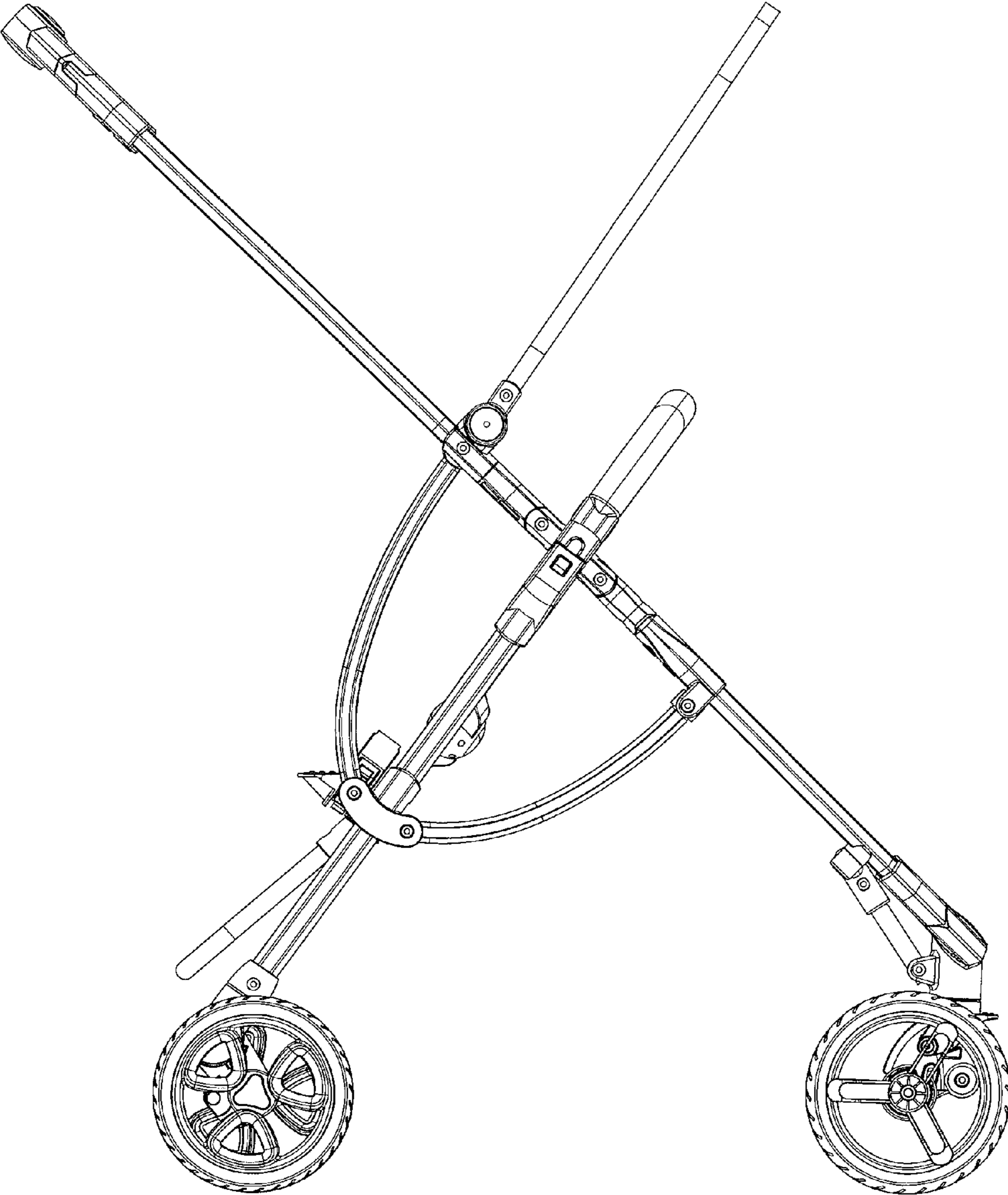


FIG. 4

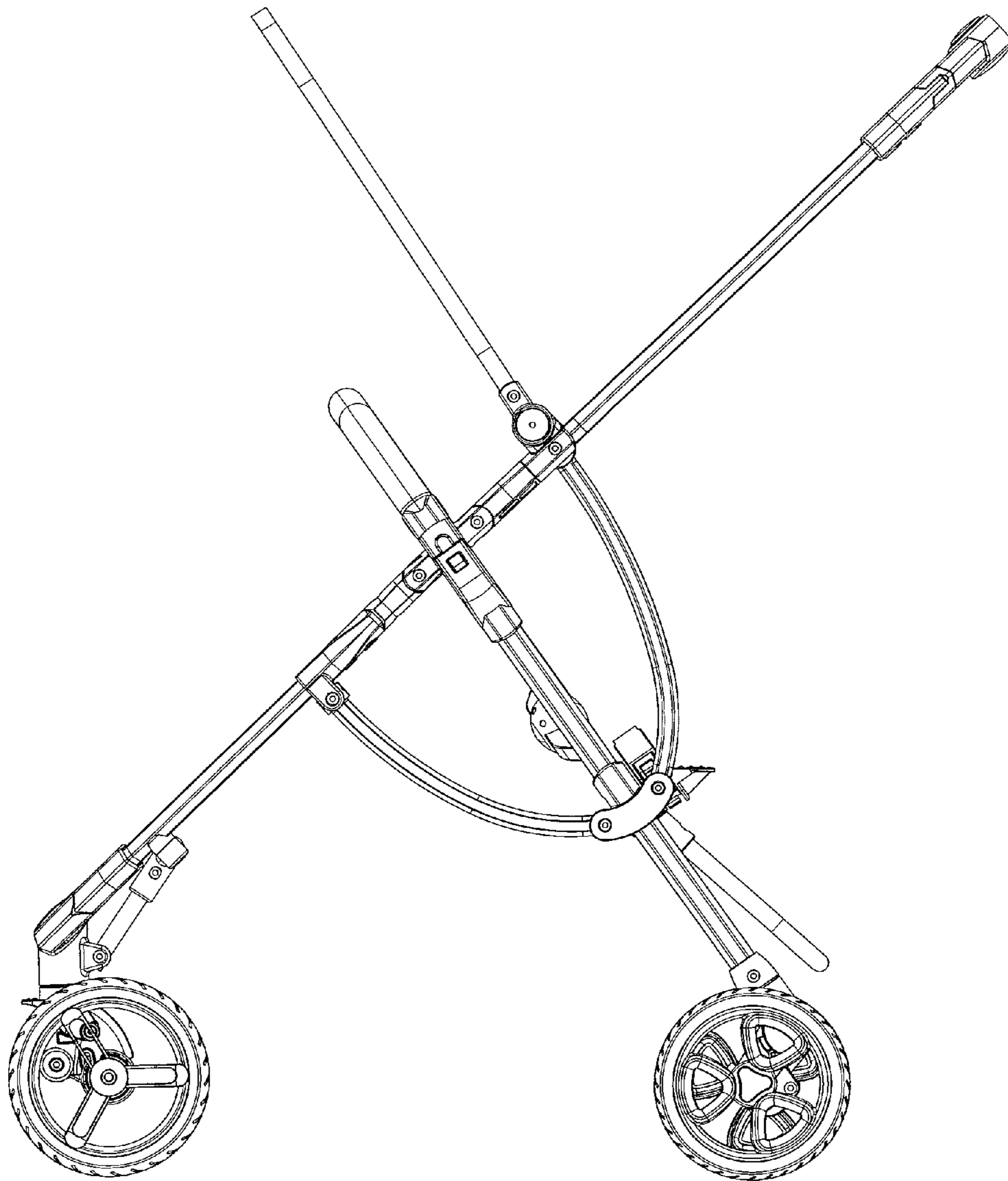


FIG. 5

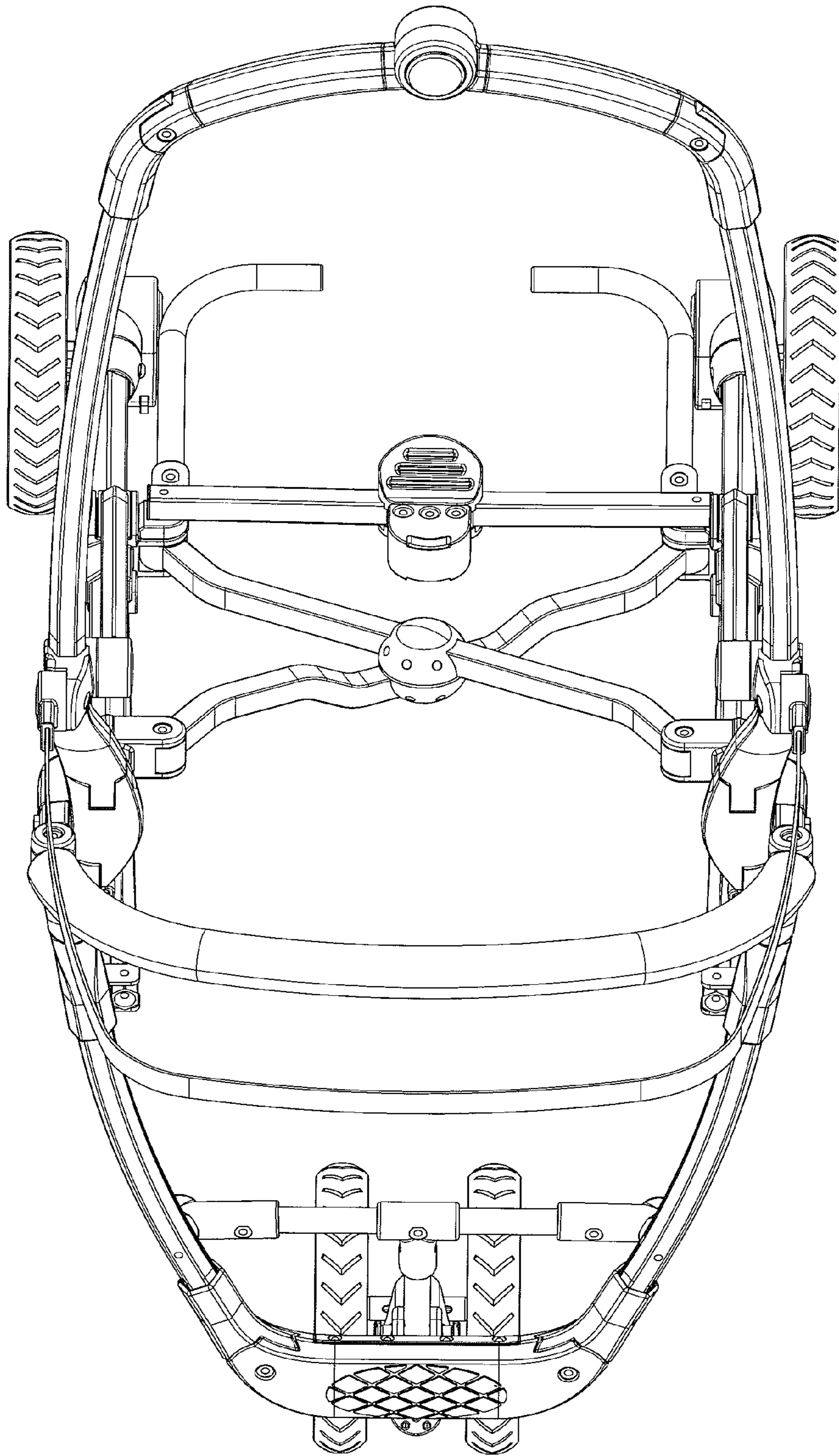


FIG. 6

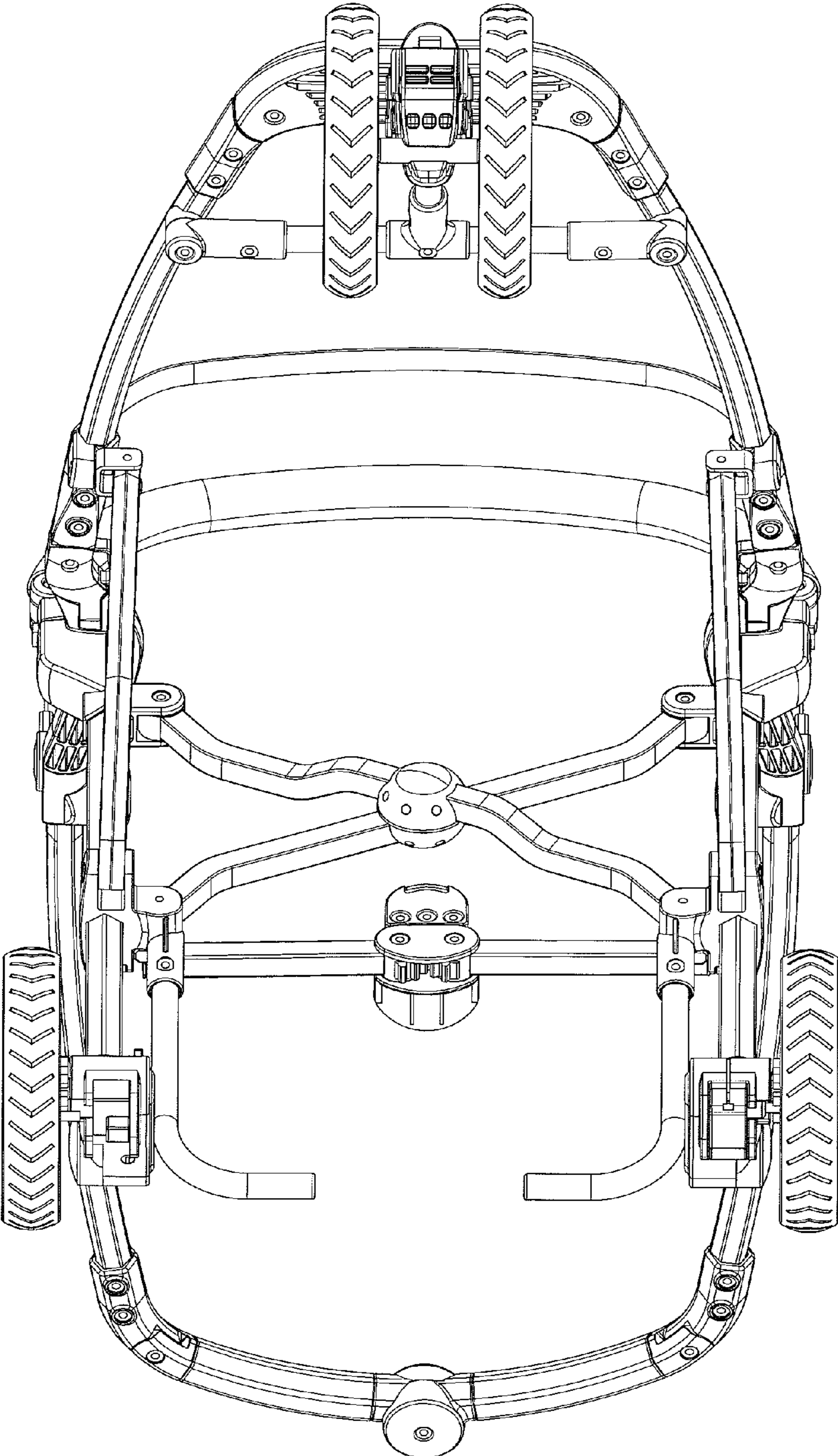


FIG. 7