



US00D715700S

(12) **United States Design Patent**
Scolari

(10) **Patent No.:** **US D715,700 S**

(45) **Date of Patent:** **** Oct. 21, 2014**

- (54) **WANYU PEDAL DESIGN**
- (71) Applicant: **Zike, LLC**, Greenville, SC (US)
- (72) Inventor: **Nathan A. Scolari**, Greenville, SC (US)
- (73) Assignee: **Zike, LLC**, Greenville, SC (US)
- (**) Term: **14 Years**
- (21) Appl. No.: **29/448,962**
- (22) Filed: **Mar. 14, 2013**
- (51) **LOC (10) Cl.** **12-11**
- (52) **U.S. Cl.**
USPC **D12/125**
- (58) **Field of Classification Search**
CPC B62K 3/002; B62K 15/006; B62K 15/00;
B62K 2700/56; B62K 9/02; B62K 3/10;
B62K 13/00; B62K 2204/00; B62K 5/05;
B62K 5/08; B62K 21/00; B62K 2202/00;
B62K 2700/58; B62K 3/16; B62K 3/005;
B62K 5/02; B62M 1/28; B62M 1/30; B62M
1/32; B62M 1/24; B62M 3/02; B62M 11/00;
B62M 2700/006; B62M 1/36; B62M 1/00;
A63C 17/12; A63B 69/16
USPC D12/125, 114; D21/423; 280/221, 256,
280/254, 259, 62, 253, 87.05, 63; 482/57;
84/422.1, 104
See application file for complete search history.

(56) **References Cited**

U.S. PATENT DOCUMENTS

6,659,486	B2 *	12/2003	Eschenbach	280/221
6,715,779	B2 *	4/2004	Eschenbach	280/221
6,764,088	B2 *	7/2004	Hung	280/221
7,608,771	B2 *	10/2009	Fournier et al.	84/422.1

D638,482	S *	5/2011	Scolari et al.	D21/423
D638,483	S *	5/2011	Scolari et al.	D21/423
D638,484	S *	5/2011	Scolari et al.	D21/423
D638,485	S *	5/2011	Scolari et al.	D21/423
D638,498	S *	5/2011	Scolari et al.	D21/423
D638,499	S *	5/2011	Scolari et al.	D21/423
D638,500	S	5/2011	Scolari et al.	
8,128,111	B2 *	3/2012	Scolari et al.	280/221
2003/0111821	A1 *	6/2003	Chow	280/256
2003/0193158	A1 *	10/2003	Hung	280/221
2005/0248117	A1 *	11/2005	Hung	280/221
2006/0156901	A1 *	7/2006	Dorfman et al.	84/422.1
2008/0088109	A1 *	4/2008	Chiu et al.	280/221
2011/0057411	A1 *	3/2011	Scolari et al.	280/221
2011/0057412	A1	3/2011	Owoc et al.	
2011/0187073	A1 *	8/2011	Fan	280/221
2012/0223502	A1 *	9/2012	Chen	280/221

* cited by examiner

Primary Examiner — Eric Goodman

Assistant Examiner — Ryan Harvey

(74) *Attorney, Agent, or Firm* — McNair Law Firm, P.A.;
Douglas W. Kim

(57) **CLAIM**

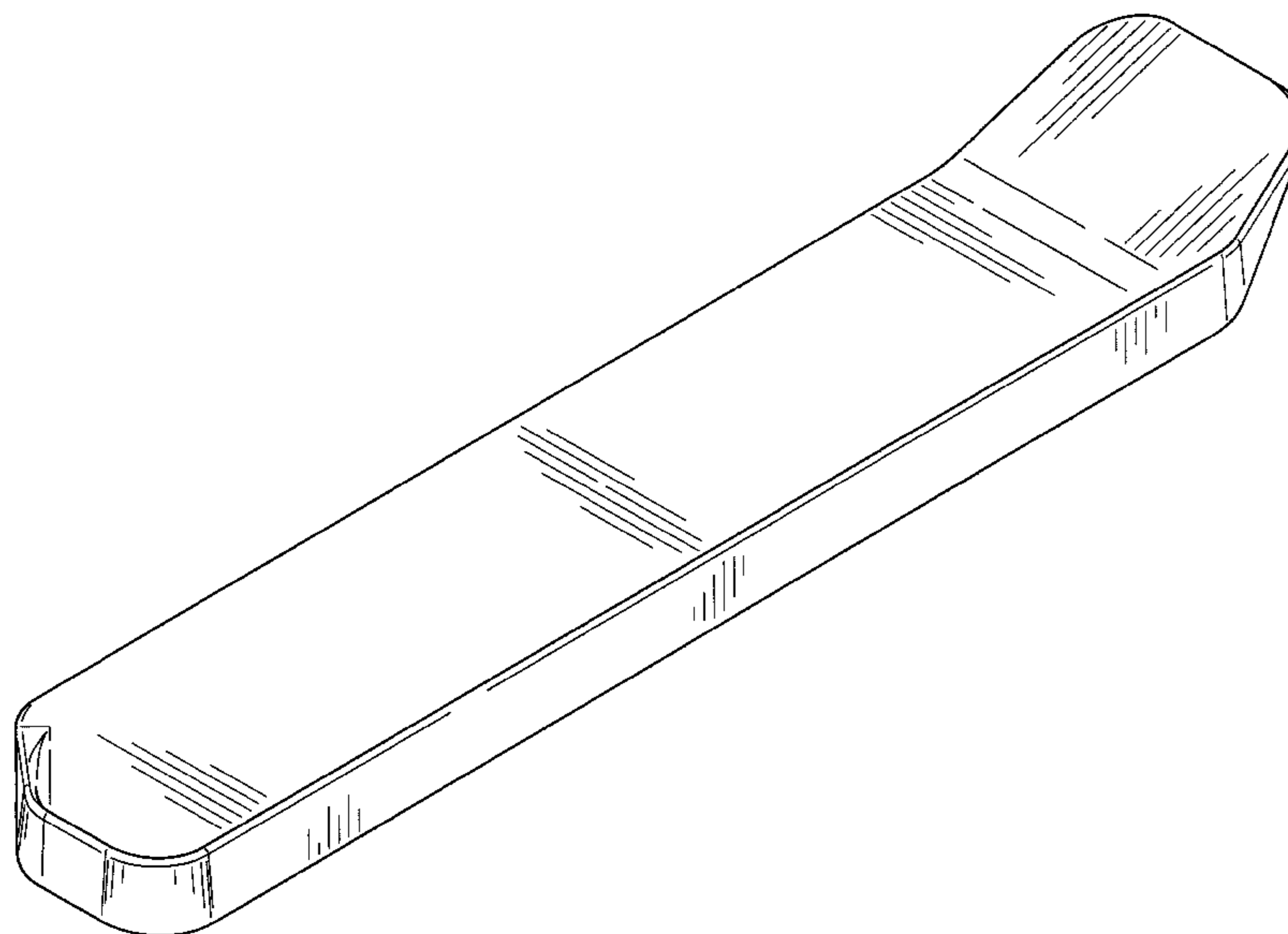
The ornamental design for a Wanyu pedal design, as shown and described.

DESCRIPTION

FIG. 1 is a top perspective view of the Wanyu pedal design; FIG. 2 is a top view thereof; FIG. 3 is a bottom view thereof; FIG. 4 is a right side view thereof; FIG. 5 is a left side view thereof; FIG. 6 is a rear view thereof; and, FIG. 7 is front view thereof.

The broken lines illustrate portions of the article that form no part of the claimed design.

1 Claim, 4 Drawing Sheets



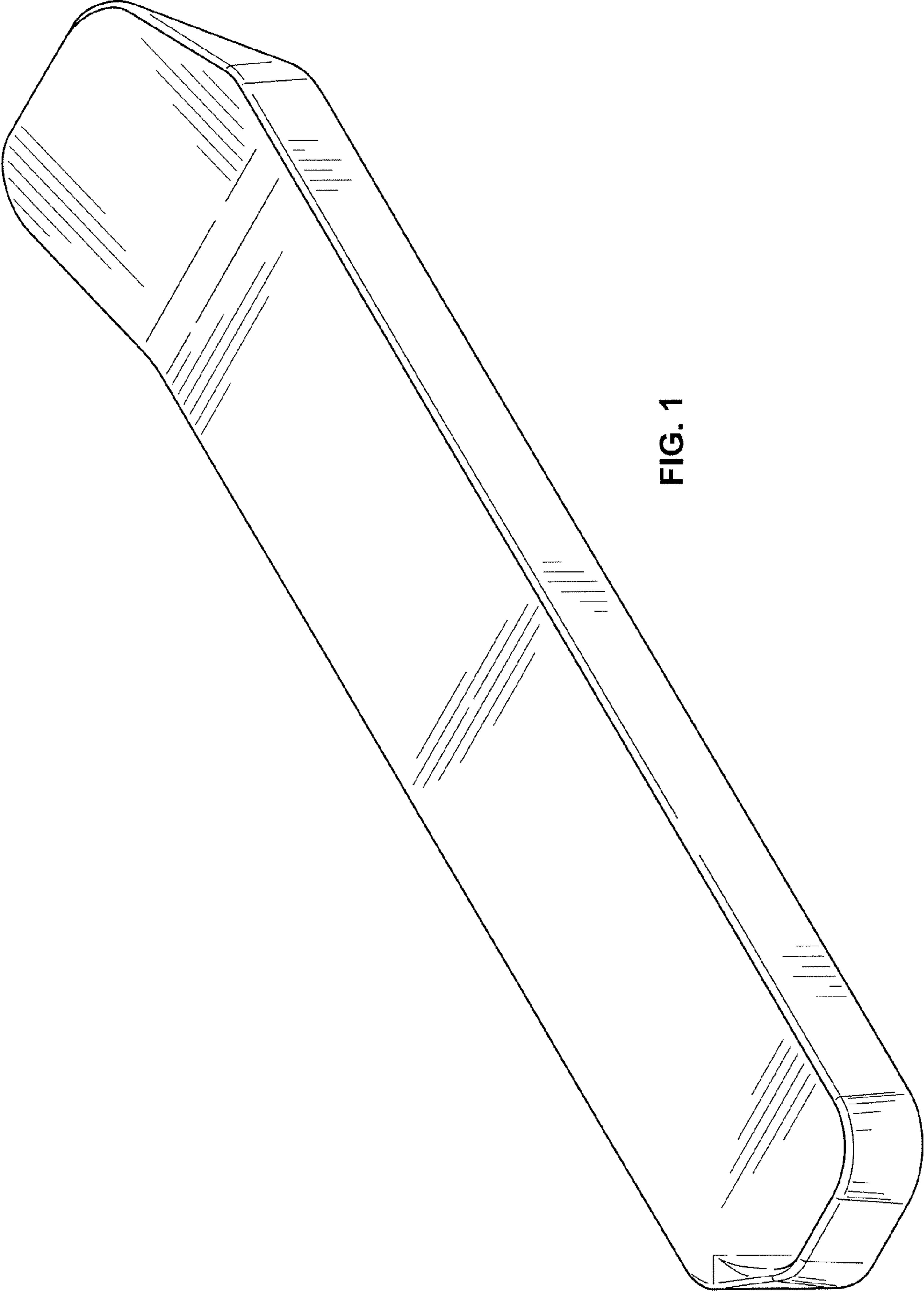


FIG. 1

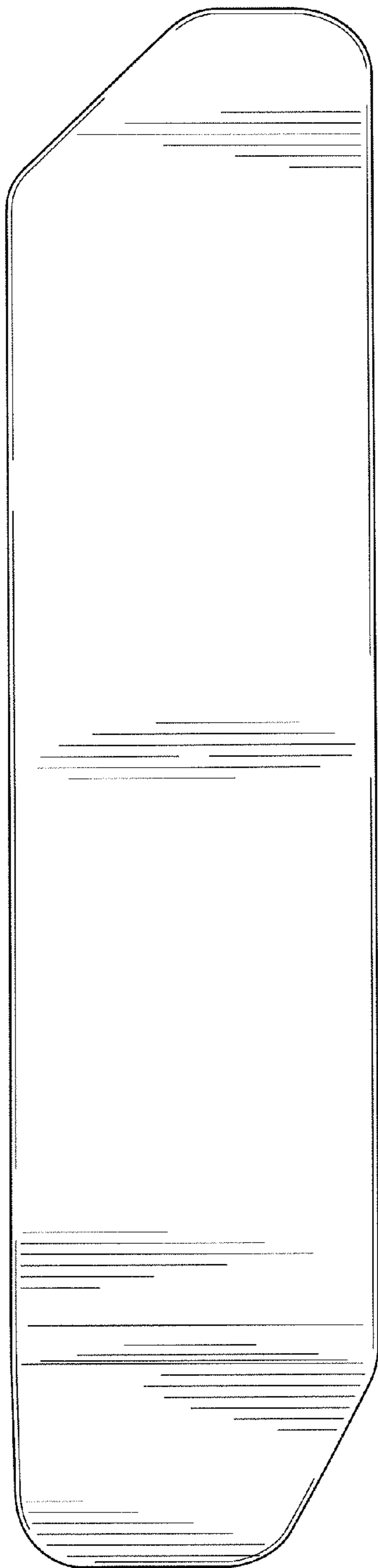


FIG. 2

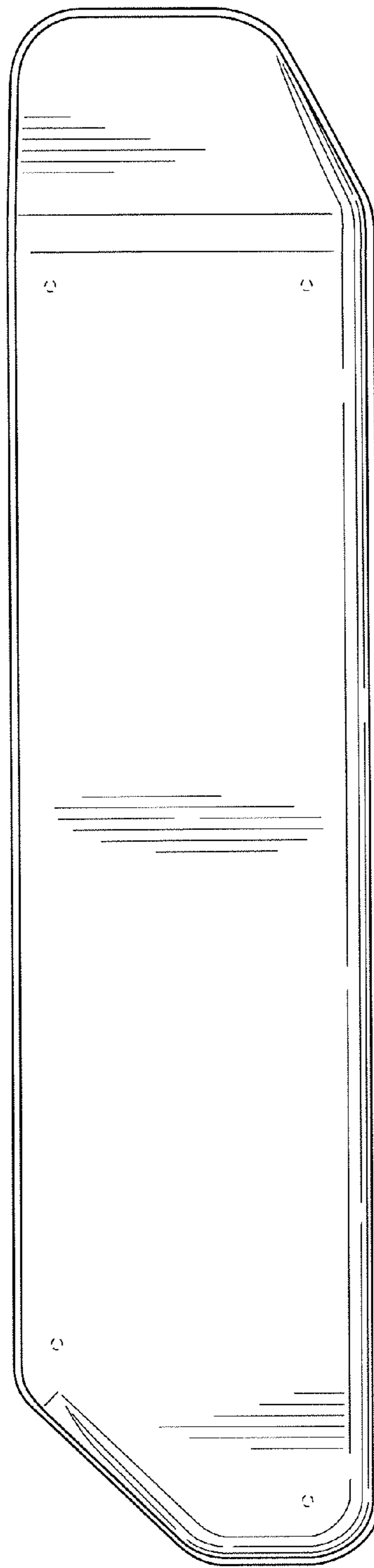


FIG. 3

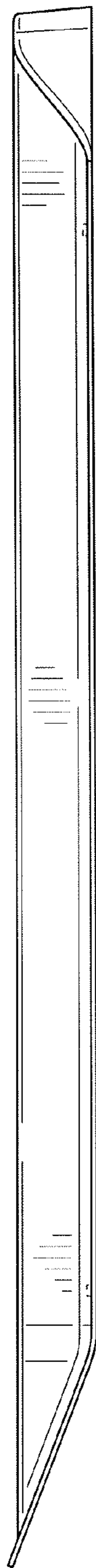


FIG. 4

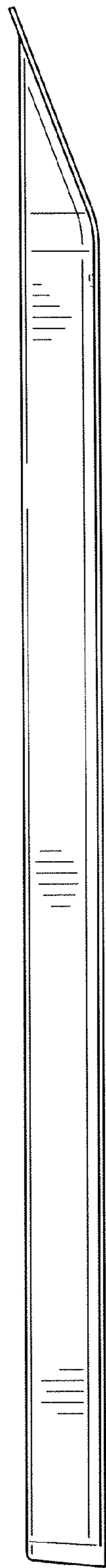


FIG. 5



FIG. 6

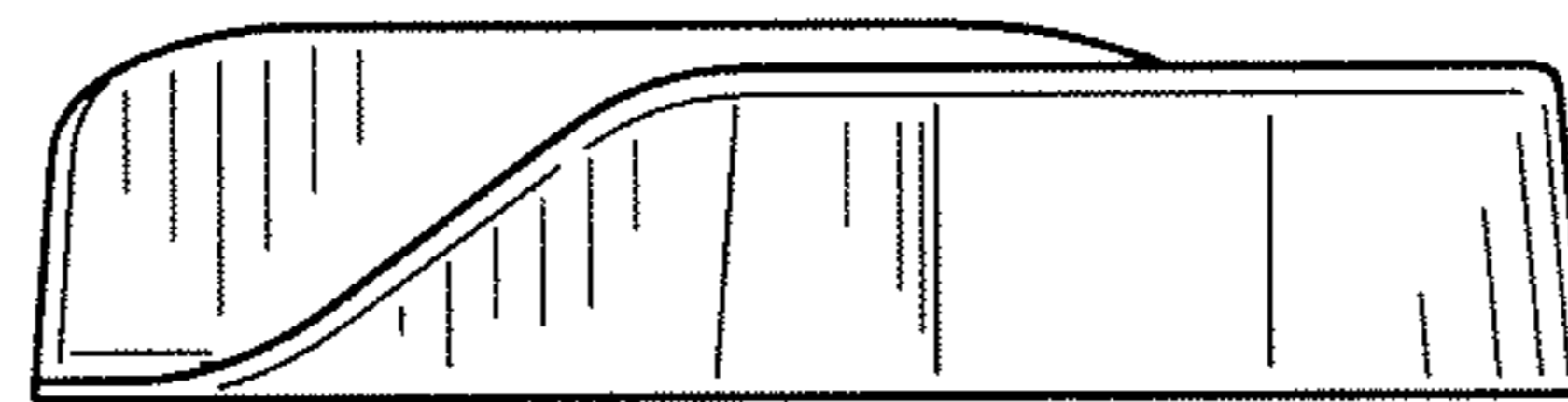


FIG. 7