



US00D715696S

(12) **United States Design Patent**
Sasanami

(10) **Patent No.:** **US D715,696 S**
(45) **Date of Patent:** **** Oct. 21, 2014**

(54) **MOTORCYCLE**

(71) Applicant: **Kazumasa Sasanami**, Tokyo-to (JP)

(72) Inventor: **Kazumasa Sasanami**, Tokyo-to (JP)

(73) Assignee: **Yamaha Hatsudoki Kabushiki Kaisha**
(JP)

(**) Term: **14 Years**

(21) Appl. No.: **29/477,811**

(22) Filed: **Dec. 27, 2013**

(30) **Foreign Application Priority Data**

Jun. 28, 2013 (JP) 2013-014660

(51) **LOC (10) Cl.** **12-11**

(52) **U.S. Cl.**
USPC **D12/110**

(58) **Field of Classification Search**

CPC B62D 37/00; B62D 57/00; B62K 9/00;
B62K 11/04; B62K 17/00; B62K 19/48;
B62M 7/12; F02B 61/02; A63H 17/21;
B62J 17/00; B62J 17/04; B62J 29/00
USPC D12/109, 110, 111, 114, 117, 126, 184,
D12/186; D21/432, 458, 538; 180/210–217,
180/219, 220, 225, 229, 908; 280/103, 124,
280/152.1–152.3, 288.2, 288.4, 304.3, 770,
280/827, 828, 847, 848; 296/77.1, 78.1,
296/181.1, 187.01, 187.12, 192, 193.01,
296/193.04, 193.05, 193.09; 446/440

See application file for complete search history.

(56) **References Cited**

U.S. PATENT DOCUMENTS

D504,844 S * 5/2005 Sasanami D12/110
6,998,970 B2 * 2/2006 Conte 340/432
D551,129 S * 9/2007 Takeda D12/110
D567,717 S * 4/2008 Hishiki D12/110

D588,961 S * 3/2009 Tanaka et al. D12/110
D597,449 S * 8/2009 Nagao D12/110
D598,815 S * 8/2009 Nagao D12/110
D601,458 S * 10/2009 Nagao D12/110
D605,089 S * 12/2009 Tanaka et al. D12/110
D638,756 S * 5/2011 Kouchi et al. D12/110
D669,397 S * 10/2012 Isokari D12/110
2008/0169134 A1 * 7/2008 Tomolillo et al. 180/6.24
2010/0025140 A1 * 2/2010 Takenaka et al. 180/219

OTHER PUBLICATIONS

Hoyer, Mark. "2014 Yamaha FZ-09—First Ride: The price is so low it will give you the wrong idea about Yamaha's fun new Triple." *Cycle World.*, Sep. 20, 2013 [online], [retrieved on May 12, 2014]. Retrieved from the Internet <URL: <http://www.cycleworld.com/2013/09/20/2014-yamaha-fz-09-first-ride-review-photos-specs/>>.*
Serafim. "2014 Yamaha FZ1." *Top Speed.*, Sep. 16, 2013 [online], [retrieved on May 12, 2014]. Retrieved from the Internet <URL: <http://www.topspeed.com/motorcycles/motorcycle-reviews/yamaha/2014-yamaha-fz1-ar160350.html>>.*

* cited by examiner

Primary Examiner — Philip S Hyder

Assistant Examiner — Darlington Ly

(74) *Attorney, Agent, or Firm* — Ostrolenk Faber LLP

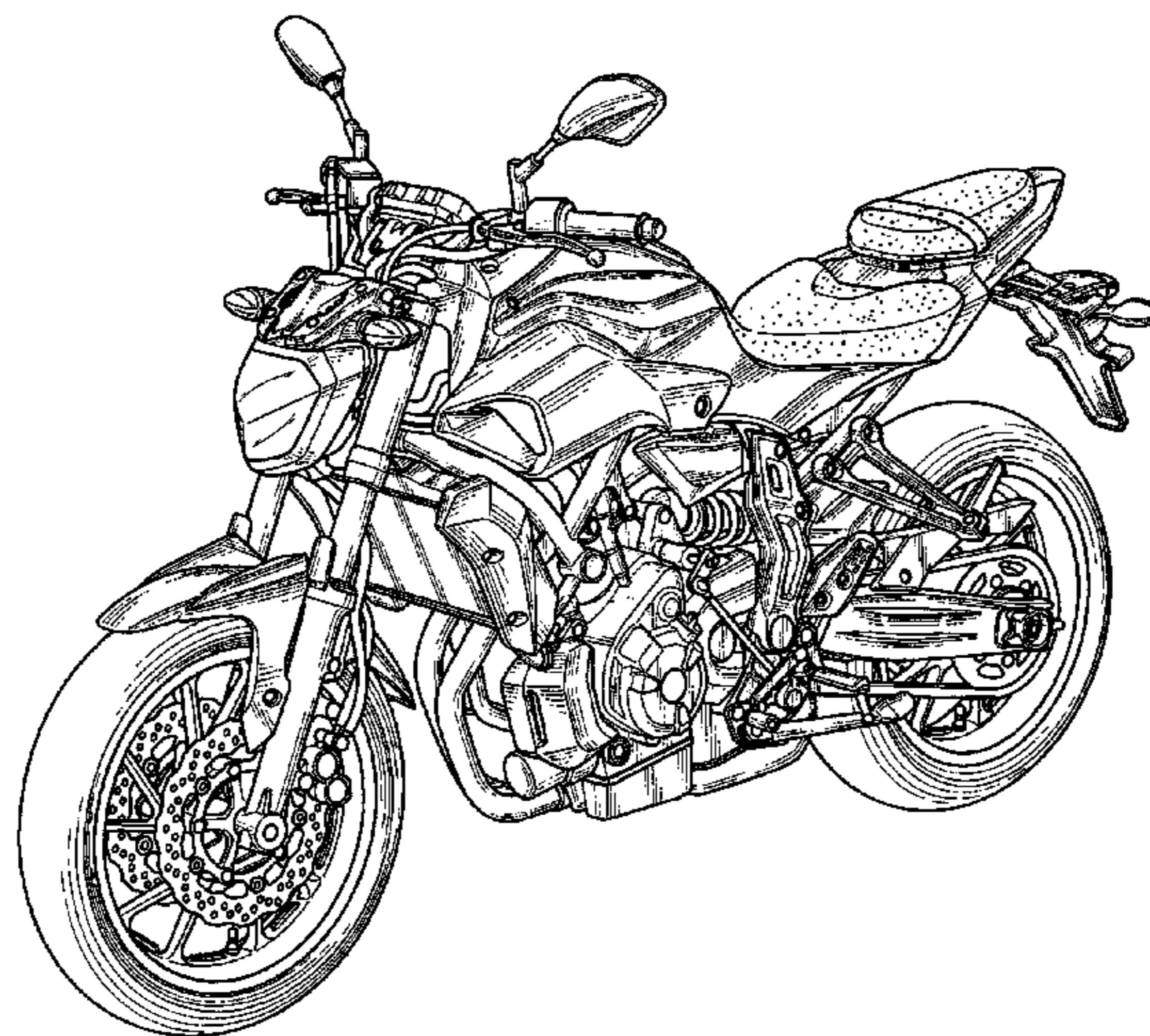
(57) **CLAIM**

The ornamental design for a motorcycle, as shown and described.

DESCRIPTION

FIG. 1 is a left side, front, perspective view of a motorcycle showing my new design;
FIG. 2 is a right side, rear, perspective view thereof;
FIG. 3 is a left side view thereof;
FIG. 4 is a right side view thereof;
FIG. 5 is a front view thereof;
FIG. 6 is a rear view thereof;
FIG. 7 is a top view thereof; and,
FIG. 8 is a bottom view thereof.

1 Claim, 8 Drawing Sheets



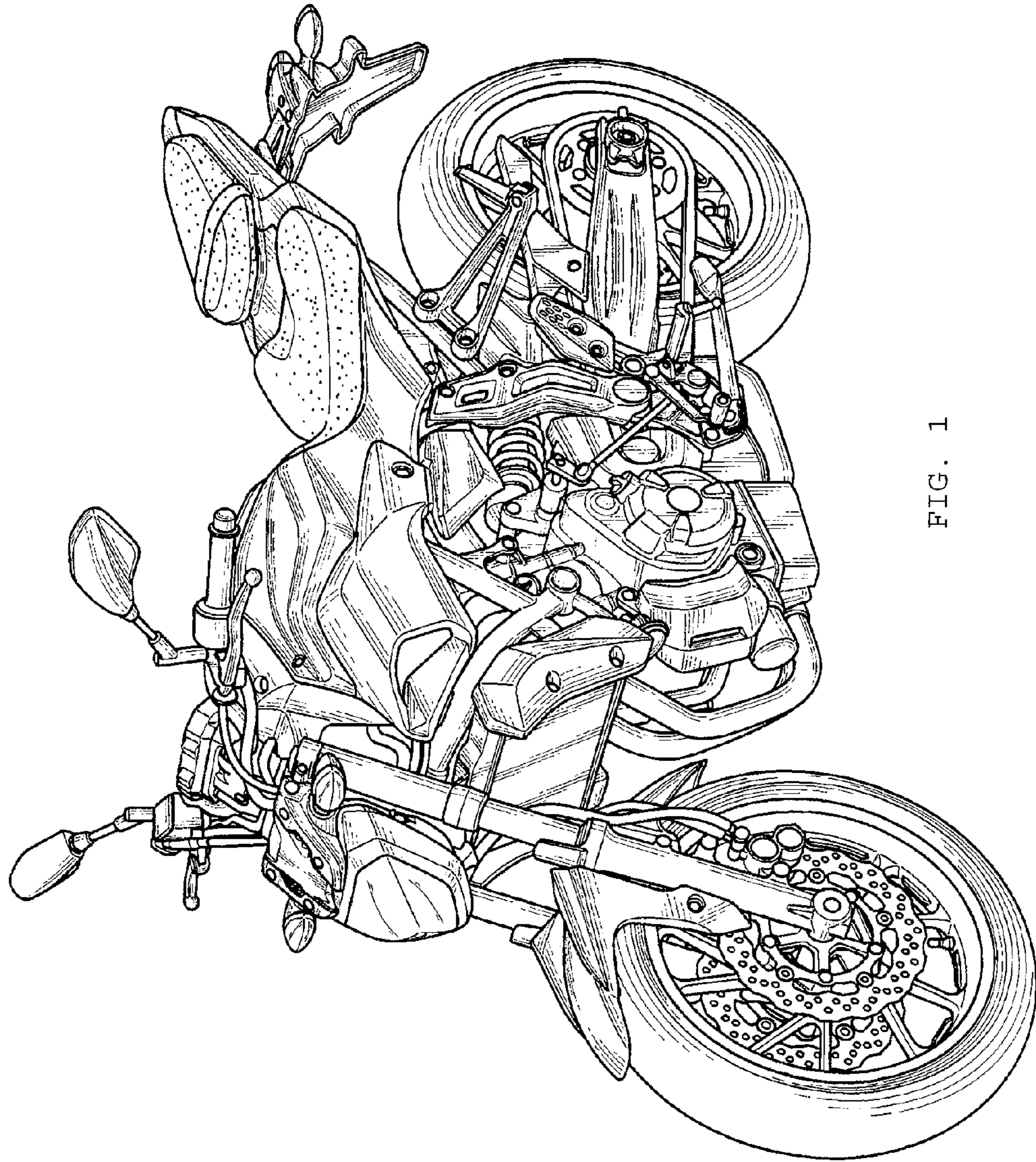


FIG. 1

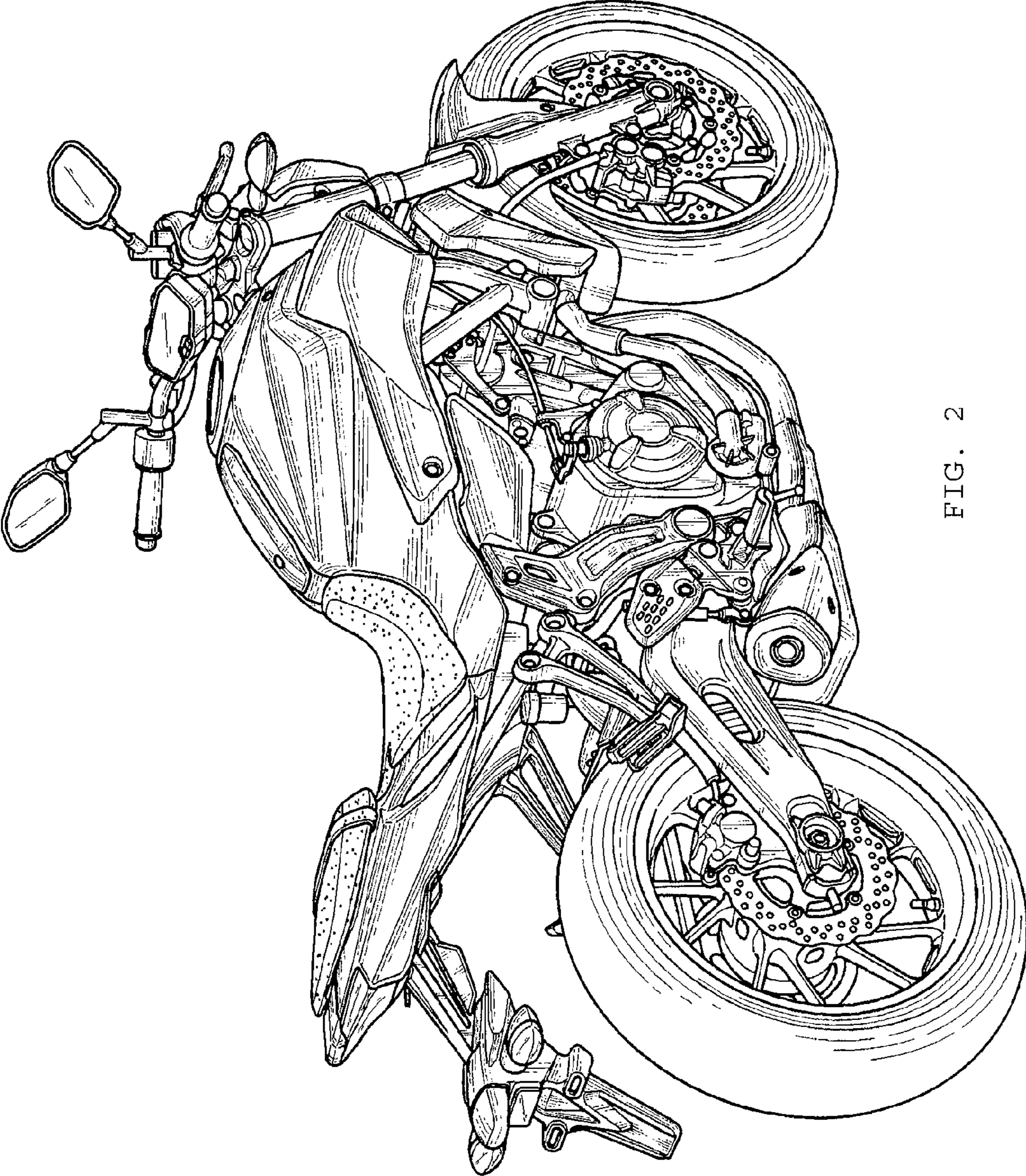


FIG. 2

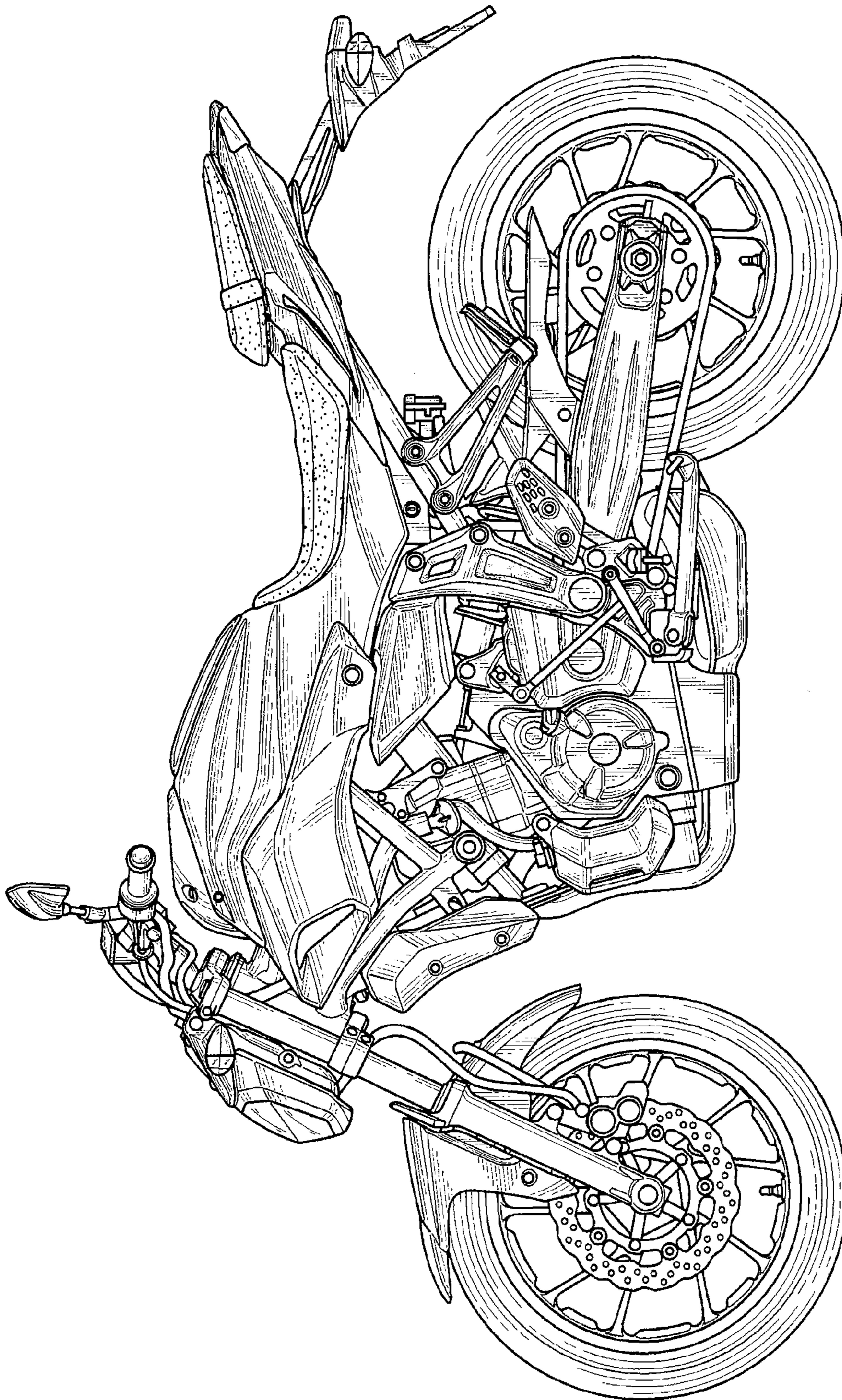


FIG. 3

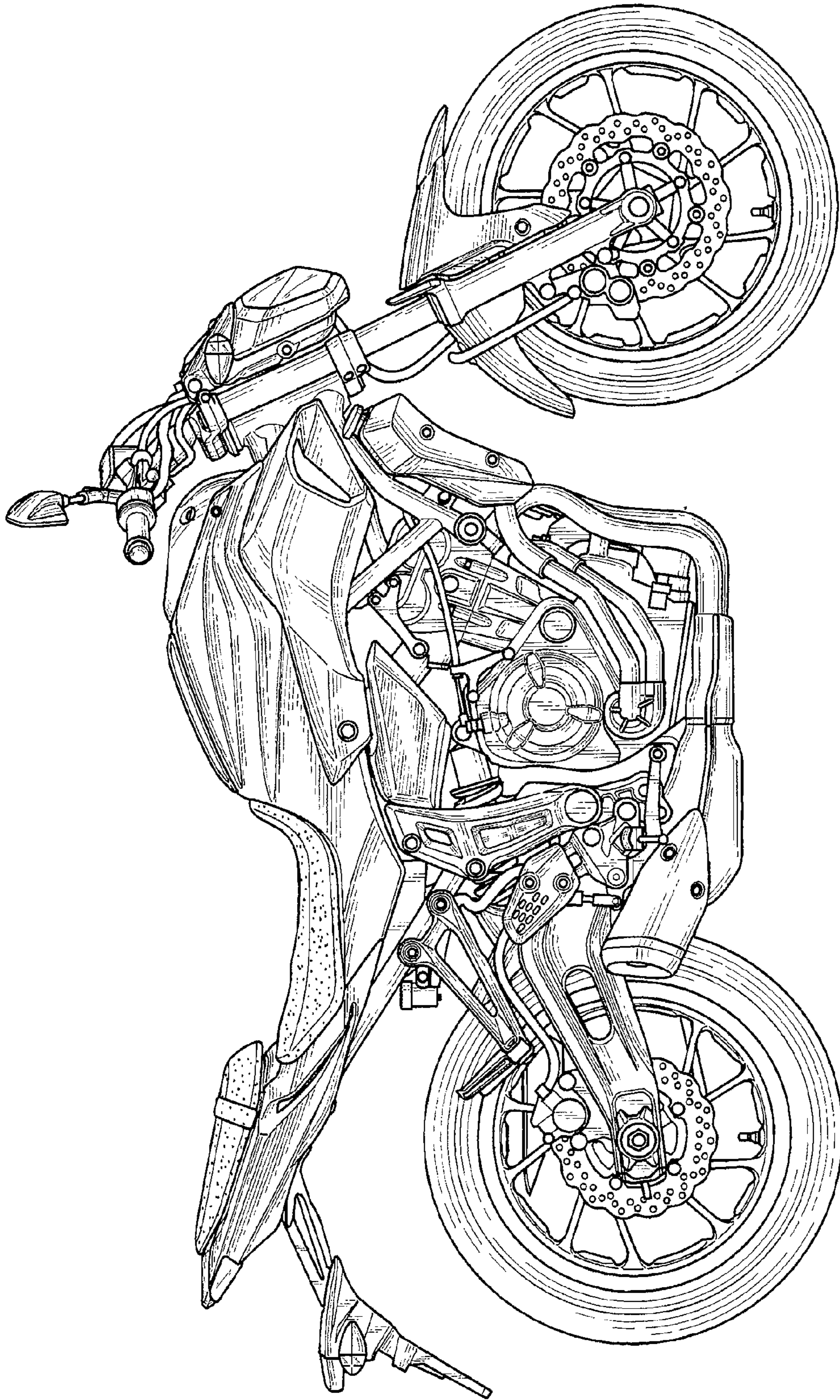


FIG. 4

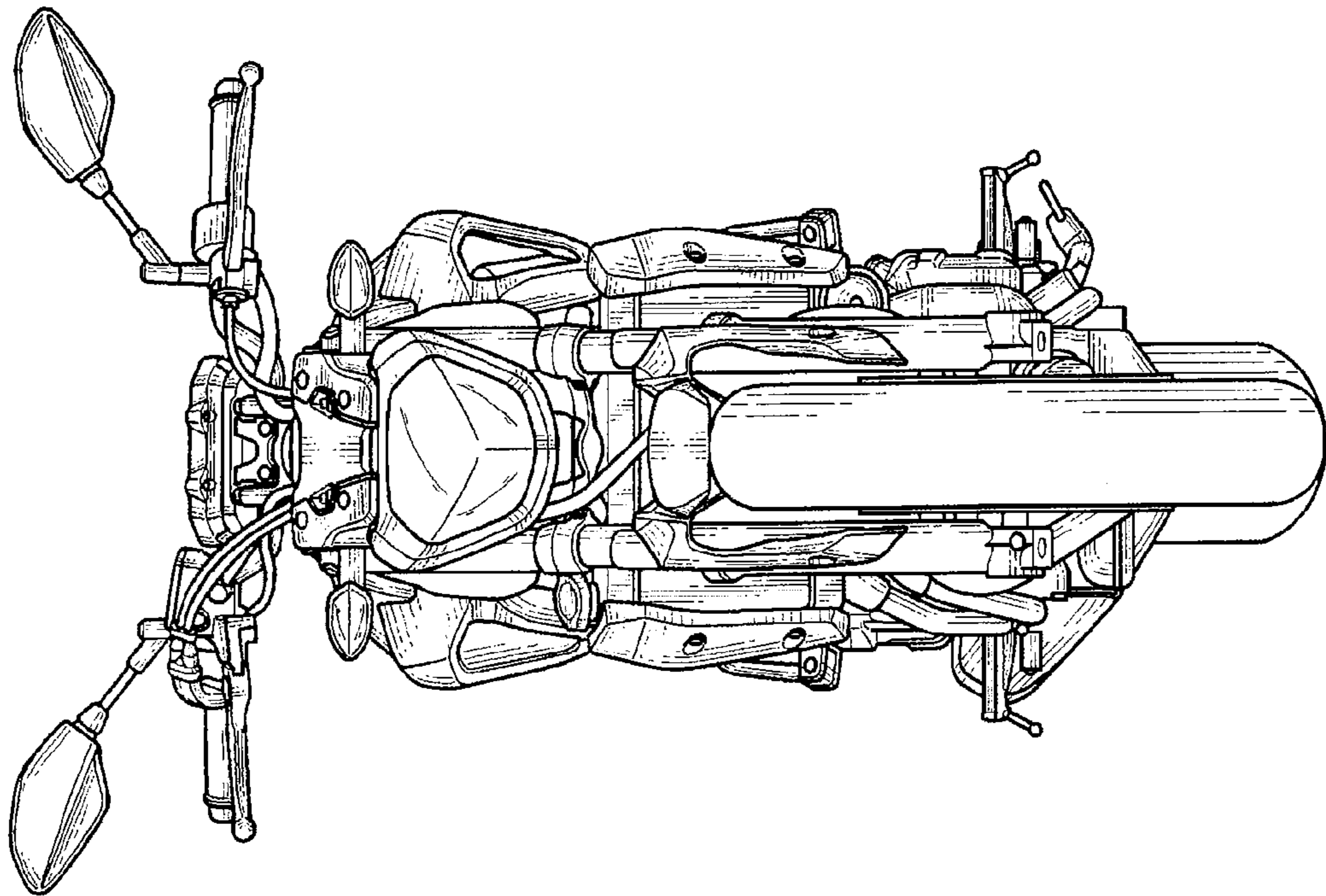


FIG. 5

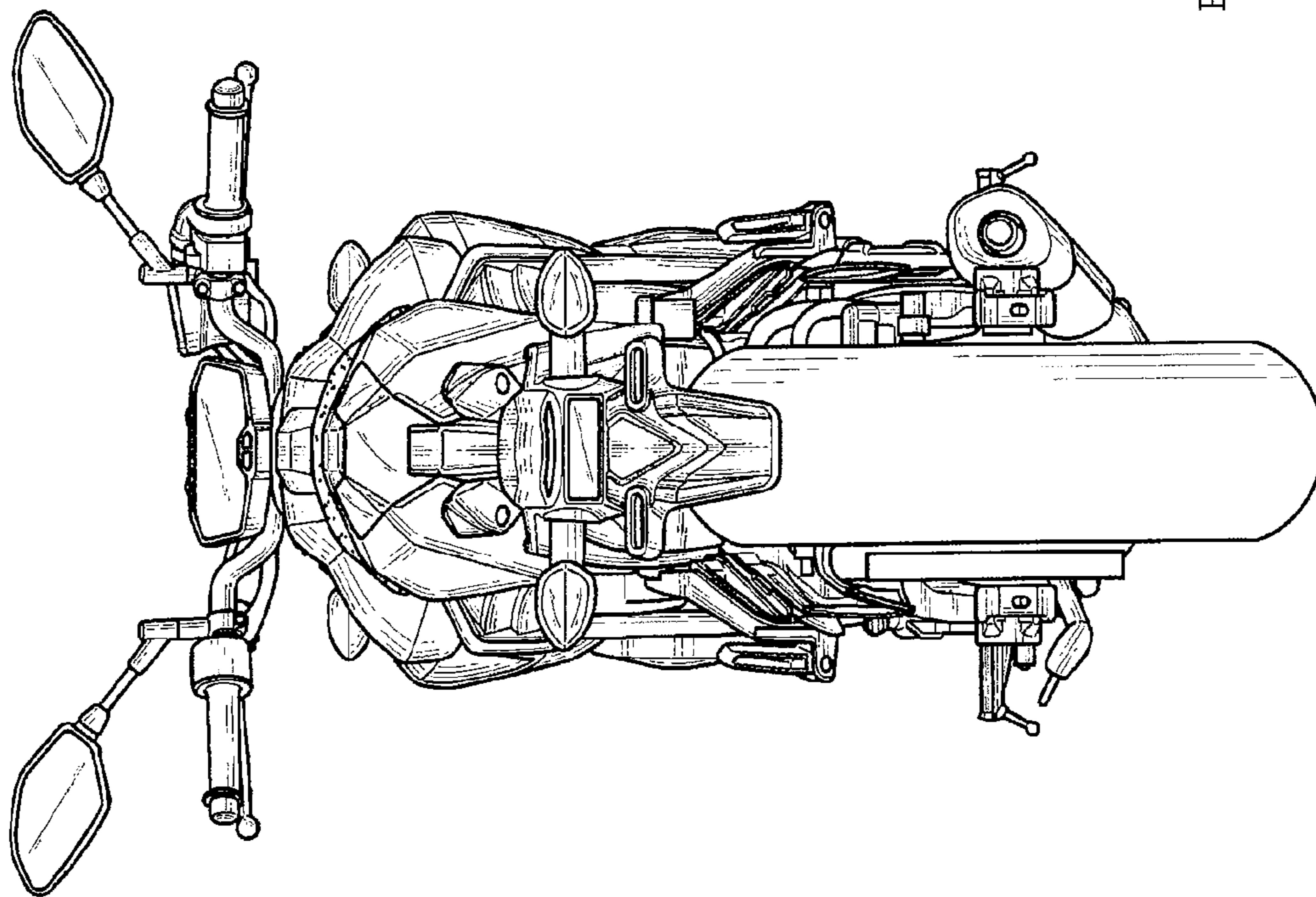


FIG. 6

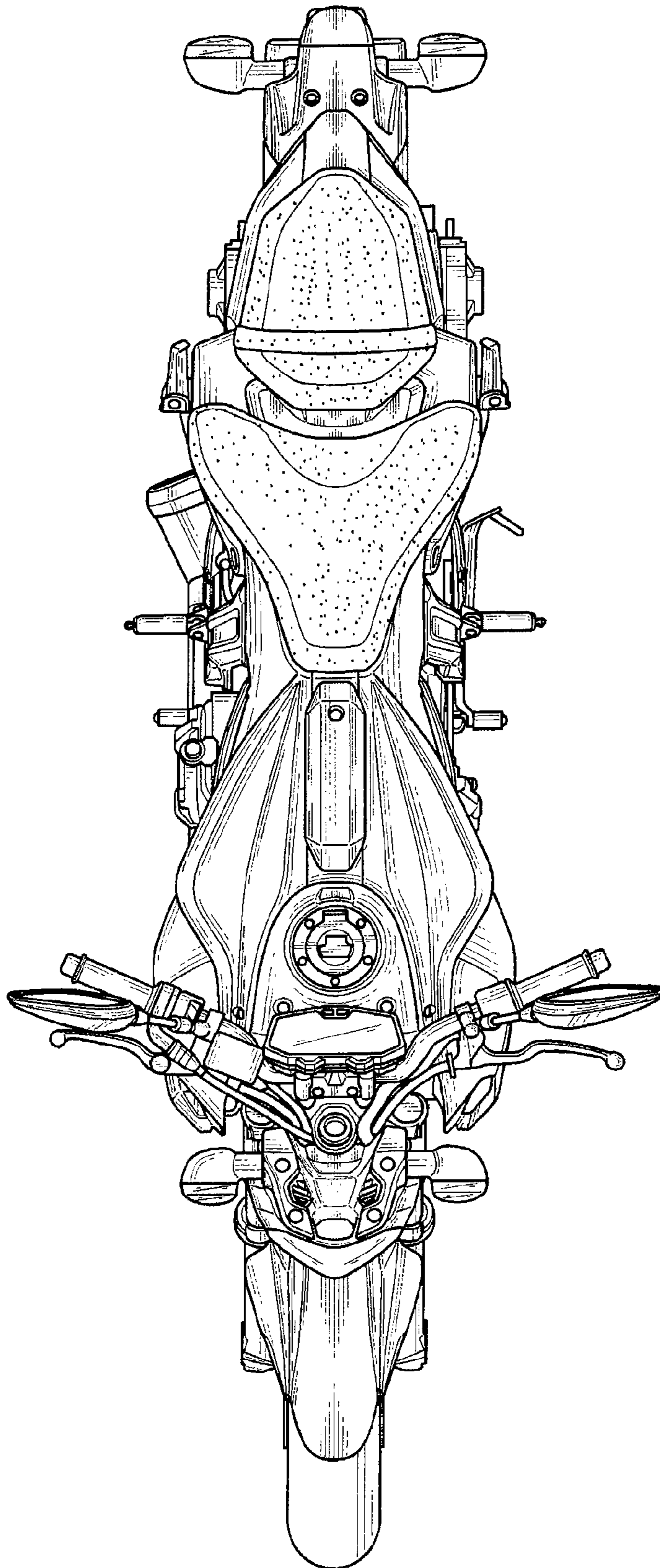


FIG. 7

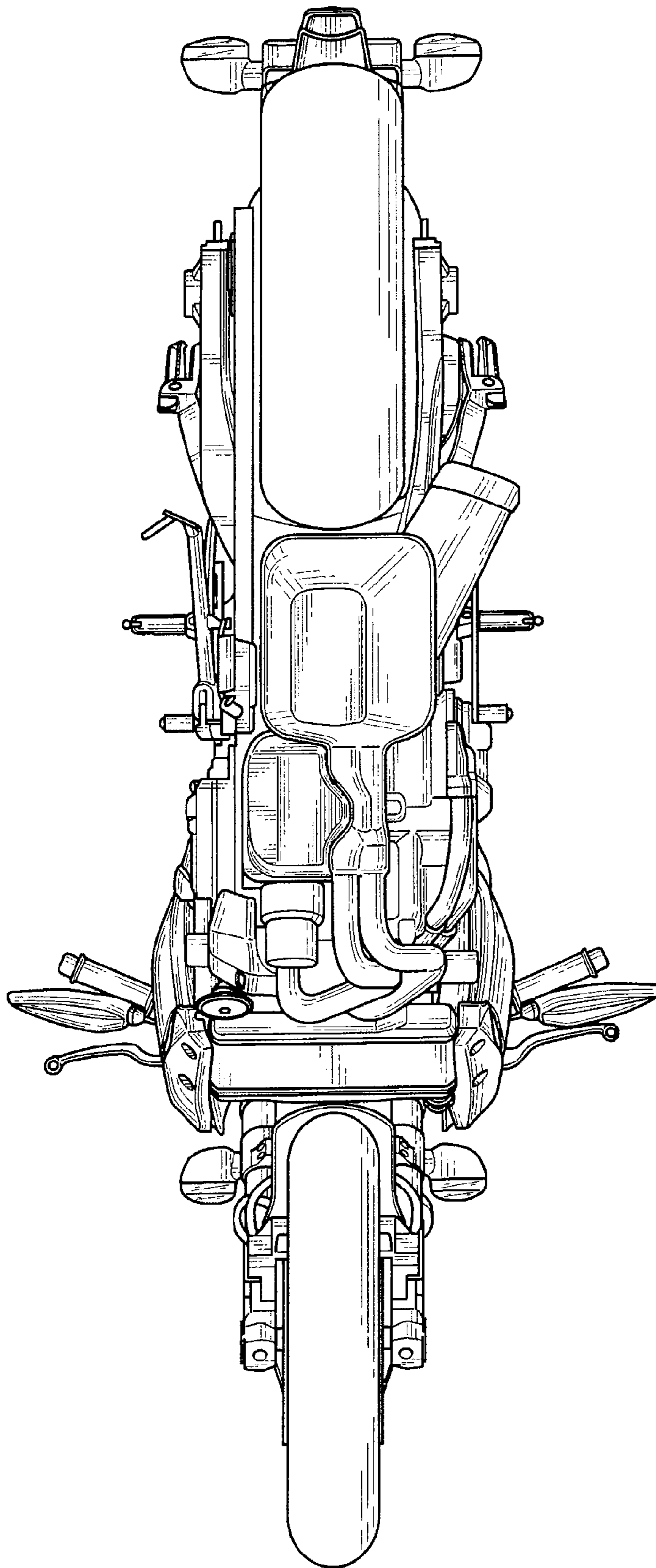


FIG. 8