



US00D715695S

(12) **United States Design Patent**
Kobayashi et al.

(10) **Patent No.:** **US D715,695 S**

(45) **Date of Patent:** **** Oct. 21, 2014**

(54) **PASSENGER CAR AND/OR TOY REPLICA THEREOF**

(71) Applicant: **Fuji Jukogyo Kabushiki Kaisha**, Tokyo (JP)

(72) Inventors: **Masahiko Kobayashi**, Tokyo (JP);
Daisuke Tokano, Tokyo (JP); **Naoa Ashida**, Tokyo (JP)

(73) Assignee: **Fuji Jukogyo Kabushiki Kaisha**, Tokyo (JP)

(**) Term: **14 Years**

(21) Appl. No.: **29/466,482**

(22) Filed: **Sep. 9, 2013**

(30) **Foreign Application Priority Data**

Mar. 7, 2013 (JP) 2013-005019

(51) **LOC (10) Cl.** **12-08**

(52) **U.S. Cl.**
USPC **D12/92**

(58) **Field of Classification Search**
USPC D12/86, 90-92, 88; D21/424, 433, 434;
296/181.1, 181.5

See application file for complete search history.

(56) **References Cited**

U.S. PATENT DOCUMENTS

D667,756 S *	9/2012	Asakura et al.	D12/92
D672,689 S *	12/2012	Kubota et al.	D12/92
D684,898 S *	6/2013	Minami	D12/92
D693,274 S *	11/2013	Tamatani et al.	D12/92
D704,598 S *	5/2014	Mueller	D12/92

* cited by examiner

Primary Examiner — Melody N Brown

(74) *Attorney, Agent, or Firm* — Schiff Hardin LLP

(57) **CLAIM**

We claim the ornamental design for a passenger car and/or toy replica thereof, as shown and described.

DESCRIPTION

FIG. 1 is a front perspective view for a “passenger car and/or toy replica thereof” showing my new design, FIG. 2 is a rear perspective view thereof, FIG. 3 is a front view thereof, FIG. 4 is a rear view thereof, FIG. 5 is a right-side view thereof, FIG. 6 is a left-side view thereof; and, FIG. 7 is a top view thereof.

1 Claim, 7 Drawing Sheets



Fig. 1



Fig. 2



Fig. 3

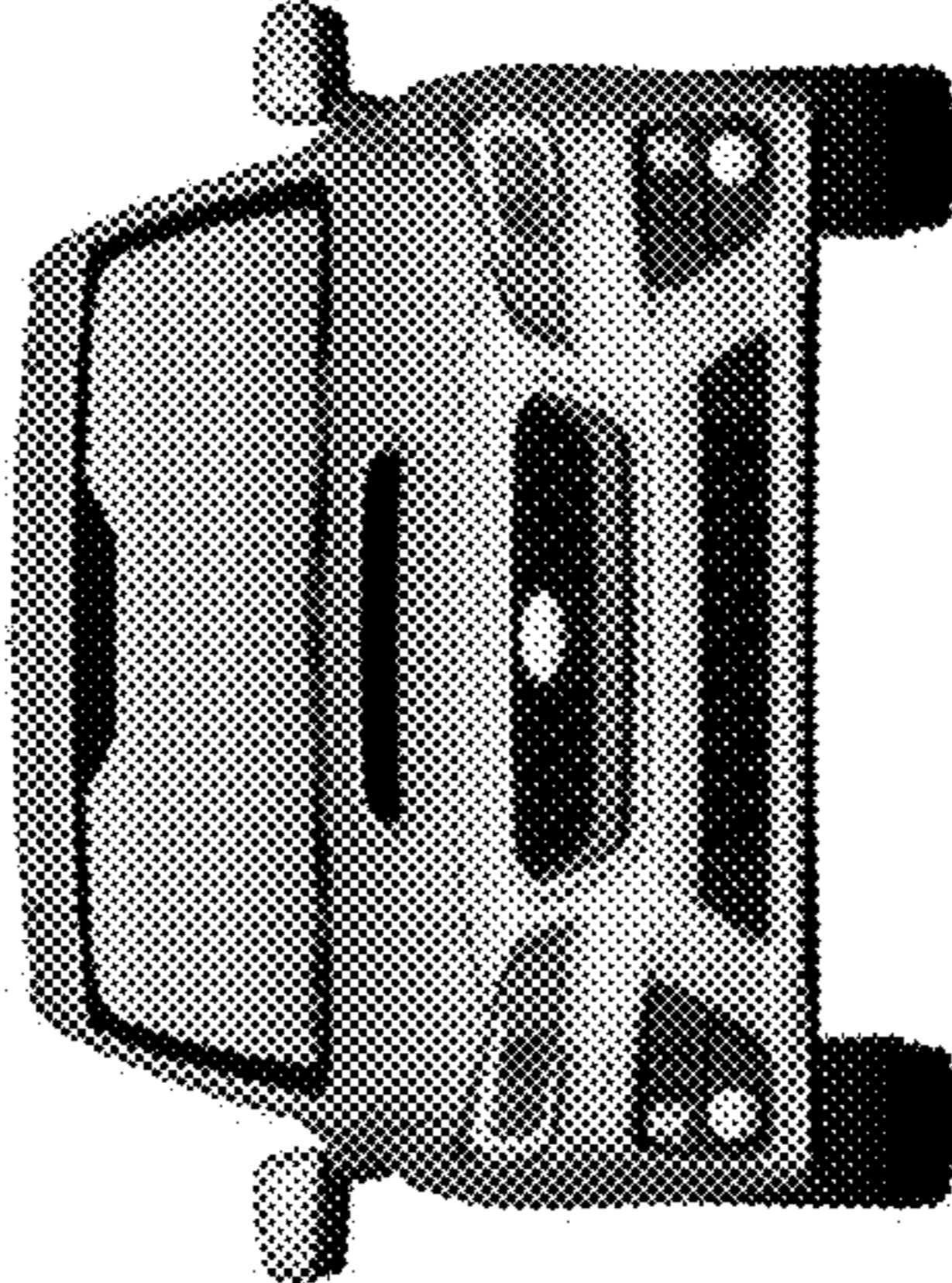


Fig. 4

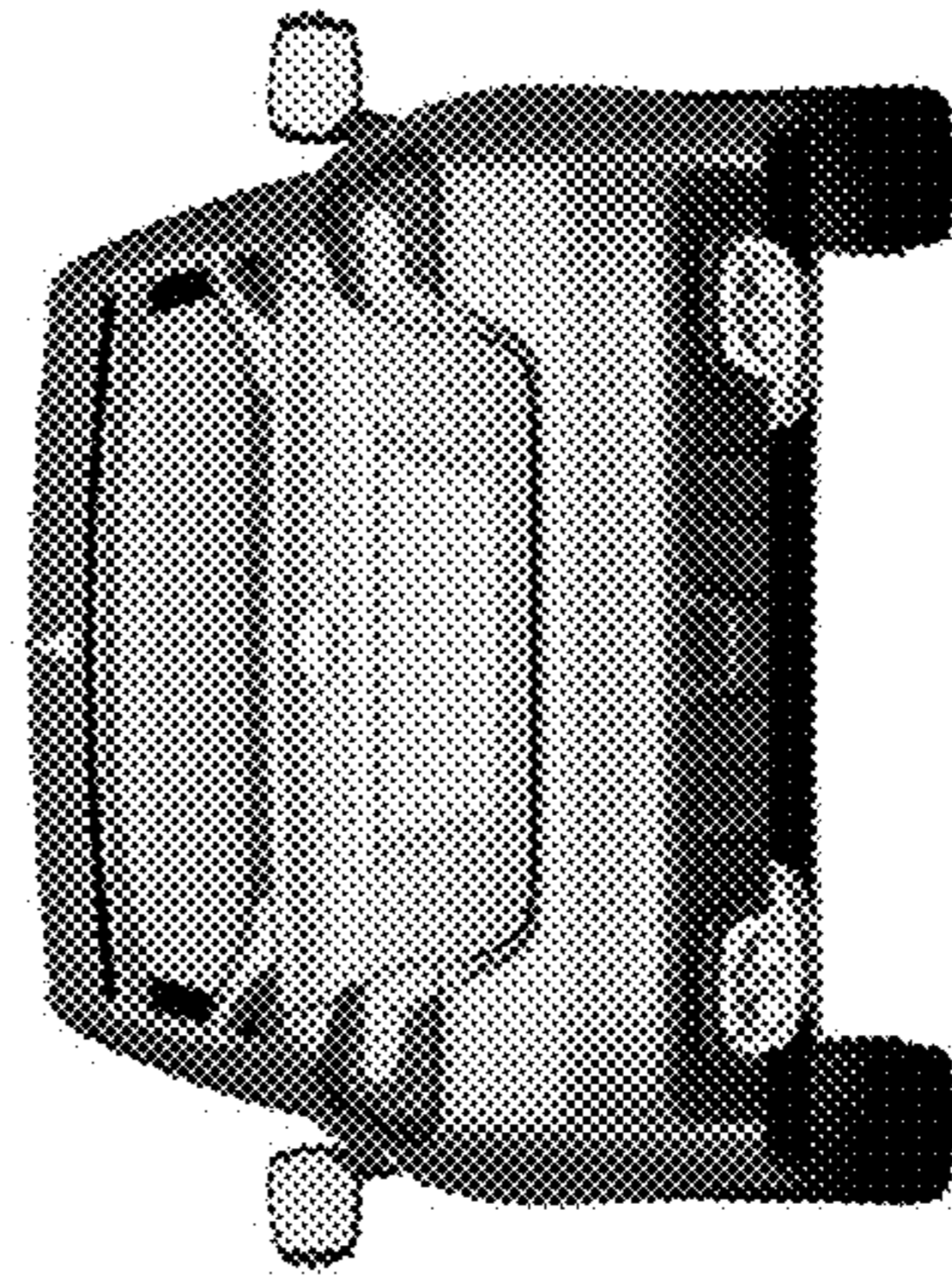


Fig. 5

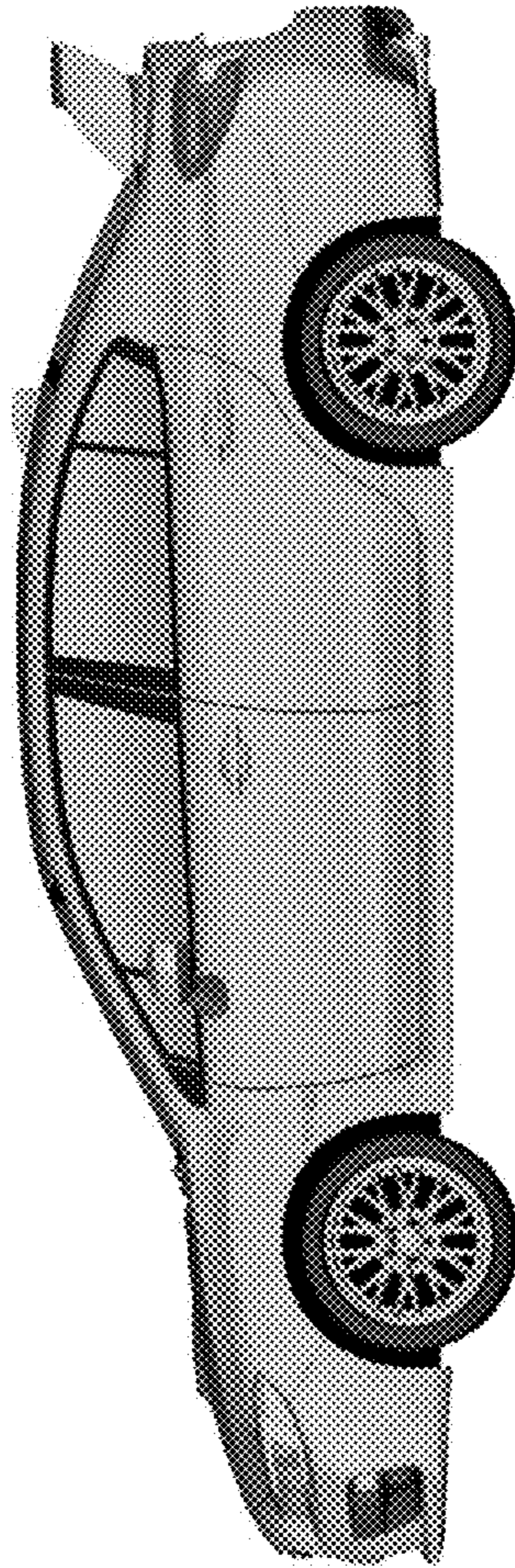


Fig. 6

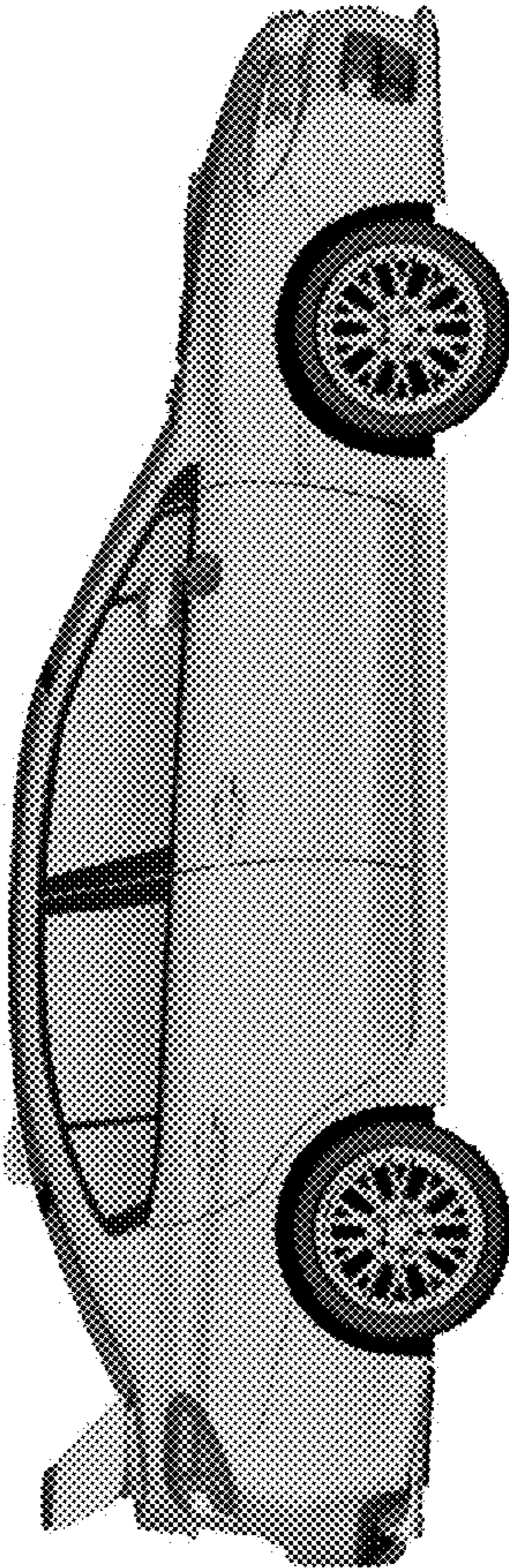


Fig. 7

