



US00D715689S

(12) **United States Design Patent**
Higashikawa

(10) **Patent No.:** **US D715,689 S**

(45) **Date of Patent:** **** Oct. 21, 2014**

(54) **TRANSPORT VEHICLE**

FOREIGN PATENT DOCUMENTS

(71) Applicant: **Kubota Corporation**, Osaka (JP)

JP 1187561 10/2003

(72) Inventor: **Yoshitaka Higashikawa**, Sakai (JP)

JP 1310436 9/2007

(73) Assignee: **Kubota Corporation**, Osaka (JP)

JP 1311373 10/2007

(**) Term: **14 Years**

JP 1313649 10/2007

(21) Appl. No.: **29/450,643**

JP 1313650 10/2007

(22) Filed: **Mar. 20, 2013**

JP 1313651 10/2007

(30) **Foreign Application Priority Data**

JP 1313961 10/2007

Sep. 28, 2012 (JP) 2012-023743

JP 1329590 5/2008

(51) **LOC (10) Cl.** **12-13**

JP 1330342 5/2008

(52) **U.S. Cl.**

USPC **D12/14; D12/164**

(58) **Field of Classification Search**

USPC D12/14, 1, 87, 86, 433, 15, 16, 107, 82,
D12/88, 89, 90, 91, 92, 93, 164; D21/803;
180/233, 908; 208/DIG. 5, 183, 184,
208/185, 186, 28, 37.7

See application file for complete search history.

* cited by examiner

Primary Examiner — T. Chase Nelson

Assistant Examiner — Ania Aman

(74) *Attorney, Agent, or Firm* — The Webb Law Firm

(56) **References Cited**

U.S. PATENT DOCUMENTS

D621,423 S * 8/2010 Nakanishi et al. D15/23
D636,704 S * 4/2011 Yoo et al. D12/1
D665,305 S * 8/2012 Eck D12/14
8,376,443 B2 * 2/2013 Kemp et al. 296/66
D682,737 S * 5/2013 Li et al. D12/14
8,465,074 B2 * 6/2013 Sakata et al. 296/24.43
2005/0037892 A1 * 2/2005 Nakatani et al. 477/120

(57) **CLAIM**

The ornamental design for a transport vehicle, as shown and described.

DESCRIPTION

FIG. 1 is a right side view of a transport vehicle showing my new design;

FIG. 2 is a left side view thereof;

FIG. 3 is a front view thereof;

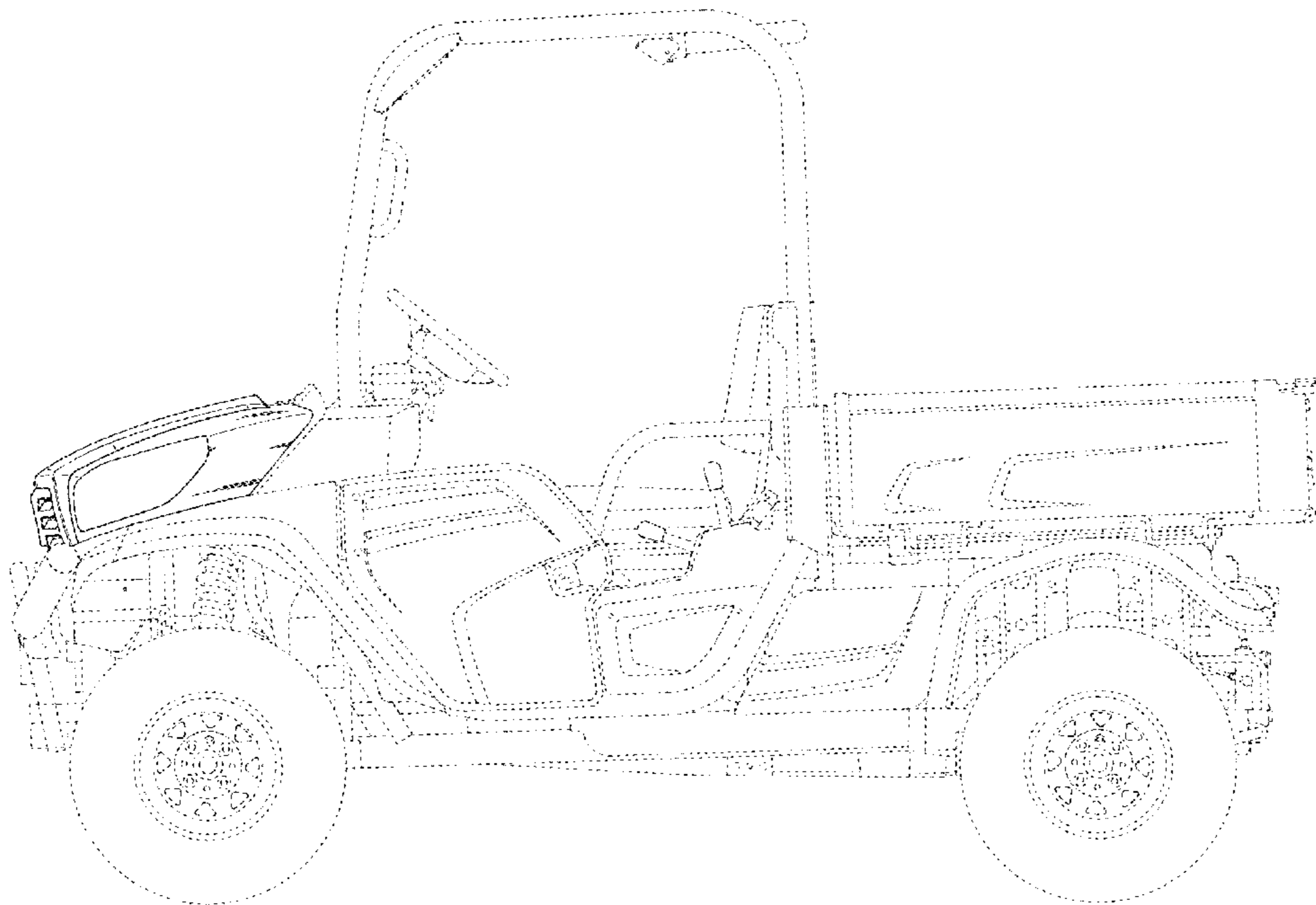
FIG. 4 is a top view thereof; and,

FIG. 5 is an upper right front perspective view thereof.

A bottom view is omitted because it is plain and unornamental and forms no part of the subject matter of the claimed design.

The broken line showings of FIGS. 1-5 are environmental only and not part of the claimed design.

1 Claim, 5 Drawing Sheets



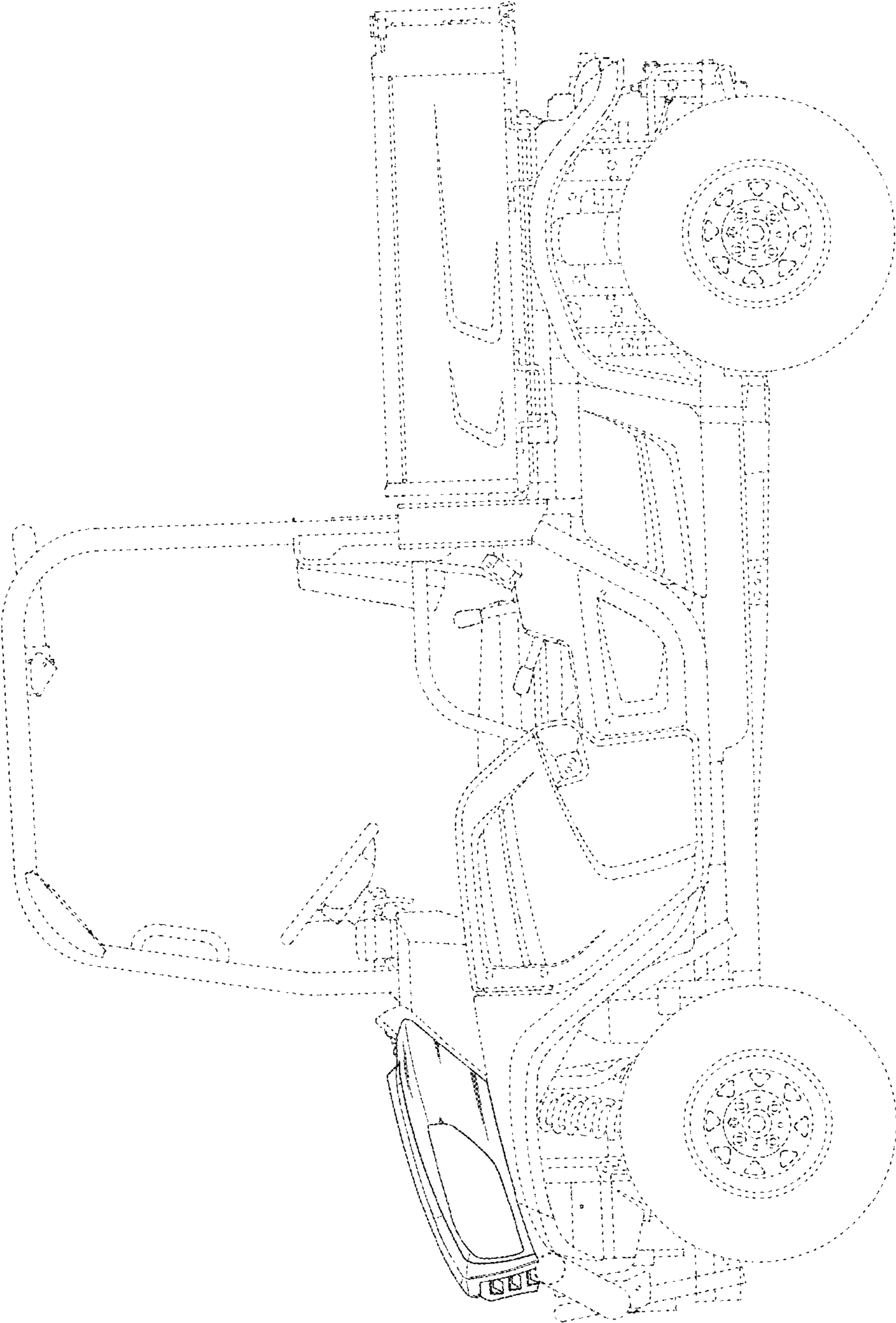


FIG. 1

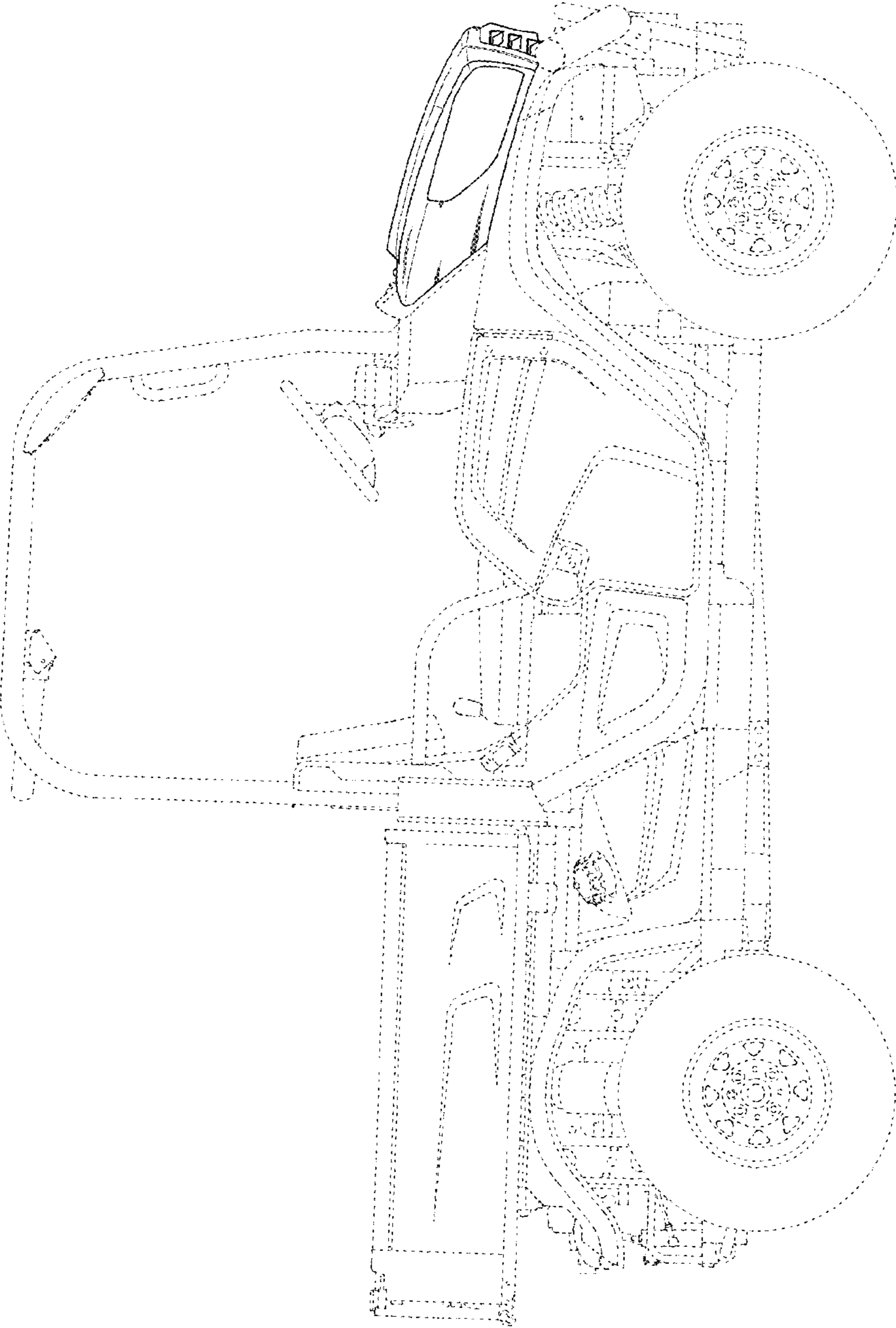


FIG. 2

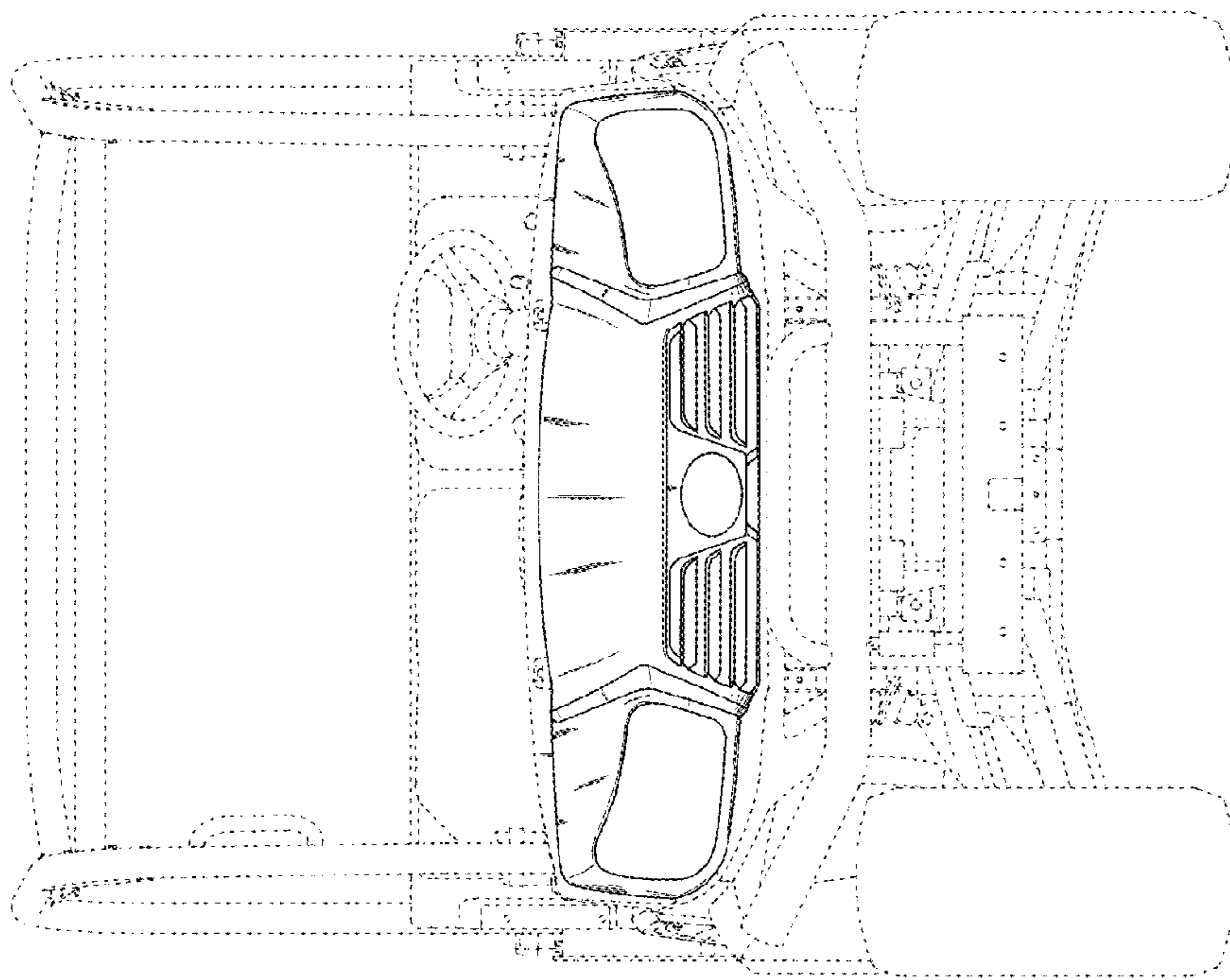


FIG. 3

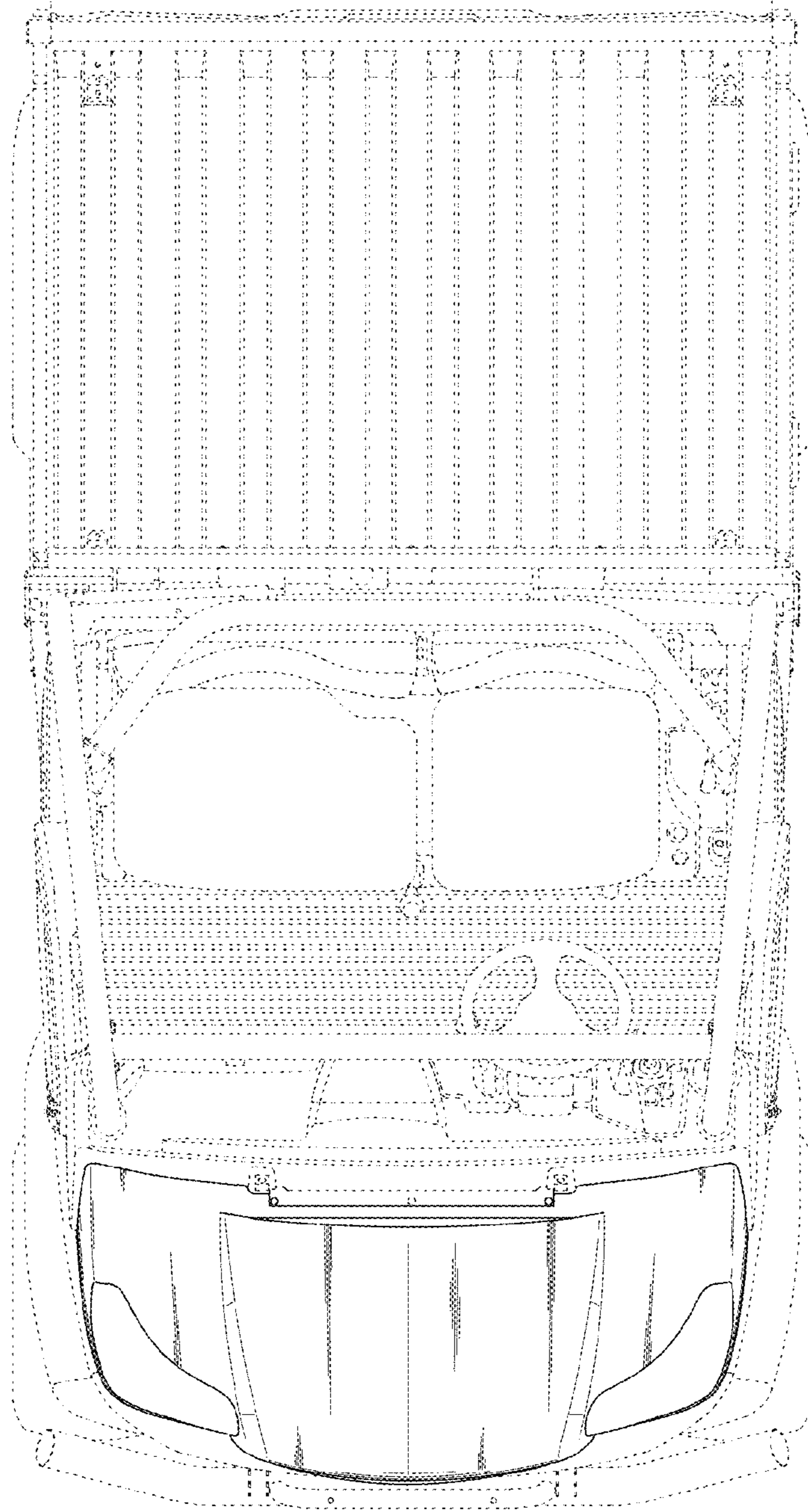


FIG. 4

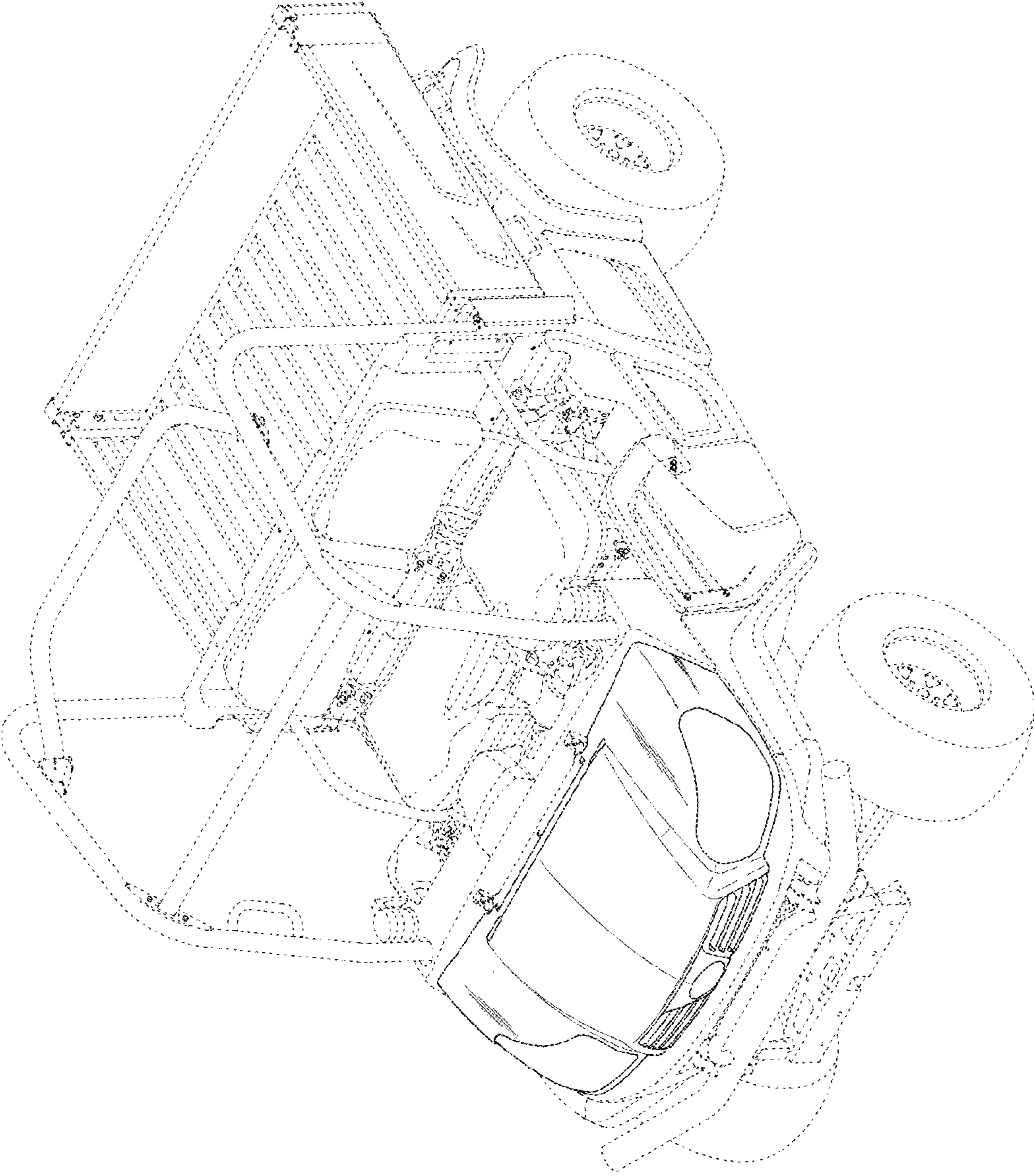


FIG. 5