



US00D715686S

(12) **United States Design Patent**
Crafton et al.

(10) **Patent No.:** **US D715,686 S**

(45) **Date of Patent:** **** Oct. 21, 2014**

(54) **TIE CLIP**

(71) Applicants: **Casey Crafton**, Chevy Chase, MD (US);
Lisa Szymanski Crafton, Chevy Chase,
MD (US); **Christopher Luke Crafton**,
Chevy Chase, MD (US); **McKenzie**
Elizabeth Crafton, Chevy Chase, MD
(US); **Gabriella Marie Crafton**, Chevy
Chase, MD (US)

(72) Inventors: **Casey Crafton**, Chevy Chase, MD (US);
Lisa Szymanski Crafton, Chevy Chase,
MD (US); **Christopher Luke Crafton**,
Chevy Chase, MD (US); **McKenzie**
Elizabeth Crafton, Chevy Chase, MD
(US); **Gabriella Marie Crafton**, Chevy
Chase, MD (US)

(**) Term: **14 Years**

(21) Appl. No.: **29/467,434**

(22) Filed: **Sep. 19, 2013**

(51) **LOC (10) Cl.** **02-07**

(52) **U.S. Cl.**
USPC **D11/202**

(58) **Field of Classification Search**
CPC A44B 6/00; A44B 21/00
USPC D11/1, 2, 200-220, 222, 78.1; D8/395;
D2/605, 609, 639; D3/215; 24/49.1,
24/52, 66.4, 66.13, 56.3
See application file for complete search history.

(56) **References Cited**

U.S. PATENT DOCUMENTS

D58,153 S * 6/1921 Maker et al. D11/202
1,381,846 A * 6/1921 Maker et al. 24/66.13
D78,374 S * 4/1929 Baer D11/202
2,009,941 A * 7/1935 Mix 24/66.13

D97,353 S * 10/1935 Lester D11/202
D141,738 S * 7/1945 Glastal D11/202
D141,739 S * 7/1945 Glastal D11/202
D146,758 S * 5/1947 Anderson D11/202
D153,539 S * 4/1949 Oatman D11/215
D156,634 S * 12/1949 Lang D11/202

(Continued)

Primary Examiner — Ralf Seifert

(74) *Attorney, Agent, or Firm* — Garcia-Zamor IP Law; Ruy
M. Garcia-Zamor

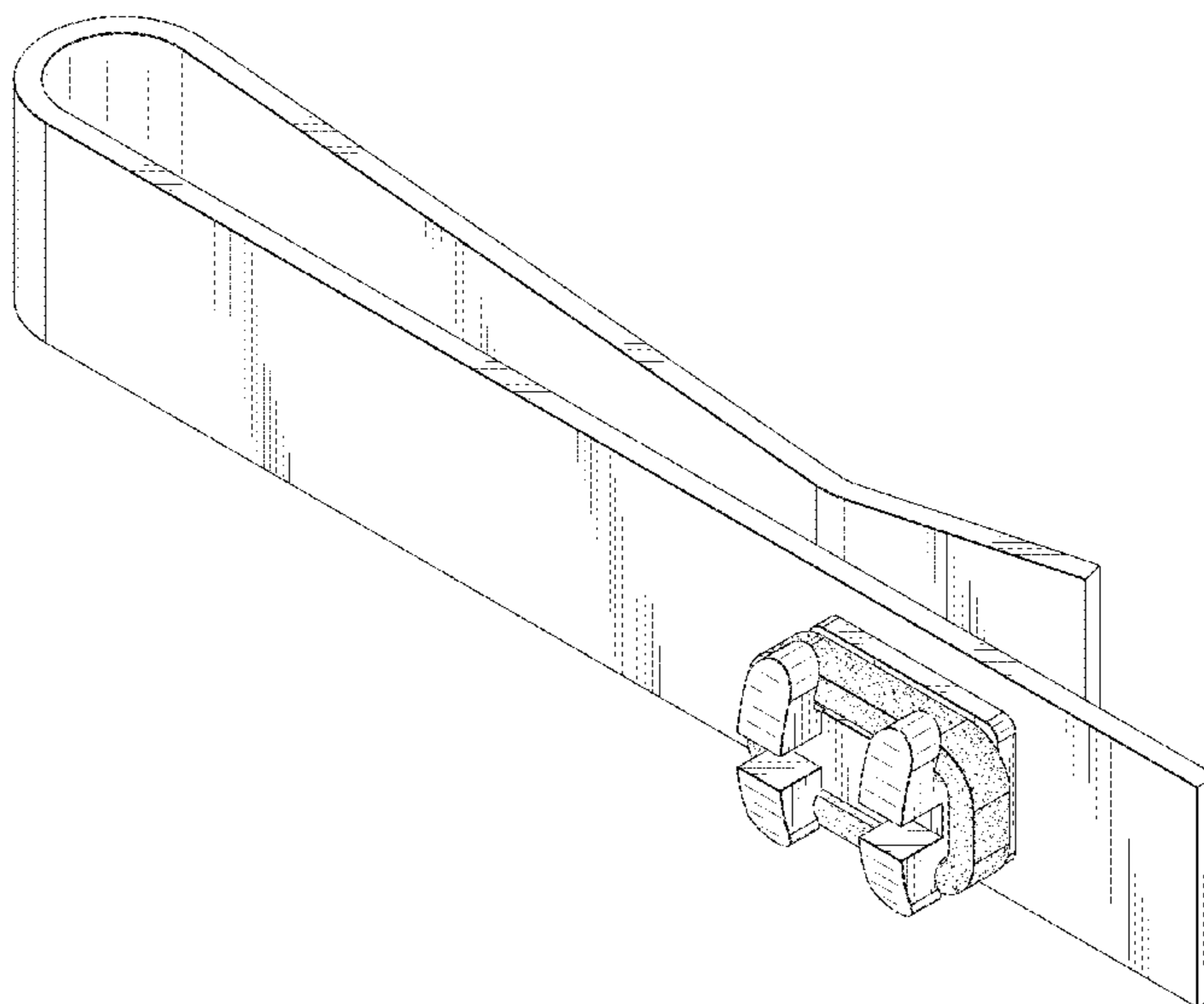
(57) **CLAIM**

We claim a new ornamental design for a tie clip, as shown and
described.

DESCRIPTION

FIG. 1 is a perspective view of a tie clip according to a first
preferred embodiment of our new design;
FIG. 2 is a front elevational view of the tie clip of FIG. 1;
FIG. 3 is a rear elevational view of the tie clip of FIG. 1;
FIG. 4 is a left side elevational view of the tie clip of FIG. 1;
FIG. 5 is a right side elevational view of the tie clip of FIG. 1;
FIG. 6 is a top plan view of the tie clip of FIG. 1;
FIG. 7 is a bottom plan view of the tie clip of FIG. 1;
FIG. 8 is a perspective view of a tie clip according to a second
preferred embodiment of our new design;
FIG. 9 is a front elevational view of the tie clip of FIG. 8;
FIG. 10 is a rear elevational view of the tie clip of FIG. 8;
FIG. 11 is a left side elevational view of the tie clip of FIG. 8;
FIG. 12 is a right side elevational view of the tie clip of FIG.
8;
FIG. 13 is a top plan view of the tie clip of FIG. 8; and,
FIG. 14 is a bottom plan view of the tie clip of FIG. 8.
The broken lines in FIGS. 8-14 represent environment and are
for illustrative purposes and do not constitute part of the
claimed design.
The phantom lines in FIGS. 1-14 represent the boundary
between claimed and unclaimed matter.

1 Claim, 8 Drawing Sheets



(56)

References Cited

U.S. PATENT DOCUMENTS

D160,003 S * 9/1950 Moulson D11/202
D184,143 S * 12/1958 Nickel et al. D11/215
D239,147 S * 3/1976 Karlsen D11/215
D244,968 S * 7/1977 Fowble D11/215

D363,453 S * 10/1995 Herdt D11/78.1
D382,105 S * 8/1997 Bonaldi D3/215
D461,746 S * 8/2002 Olson et al. D11/201
6,457,218 B1 * 10/2002 Lawrence 24/563
D552,462 S * 10/2007 Boyd et al. D8/395
D570,247 S * 6/2008 Hajianpour D11/201
D597,827 S * 8/2009 Brassard D8/395
* cited by examiner

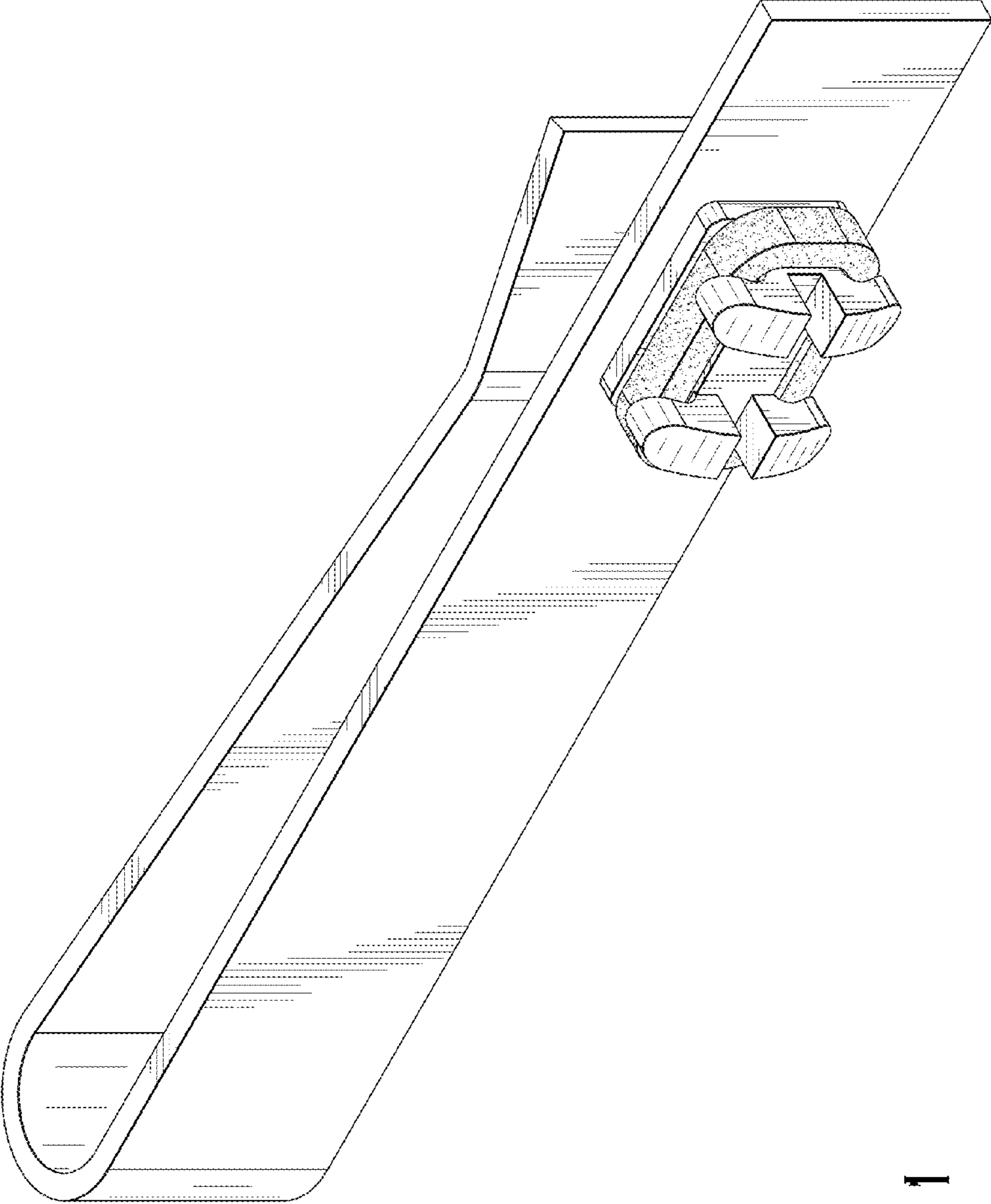


FIG. 1

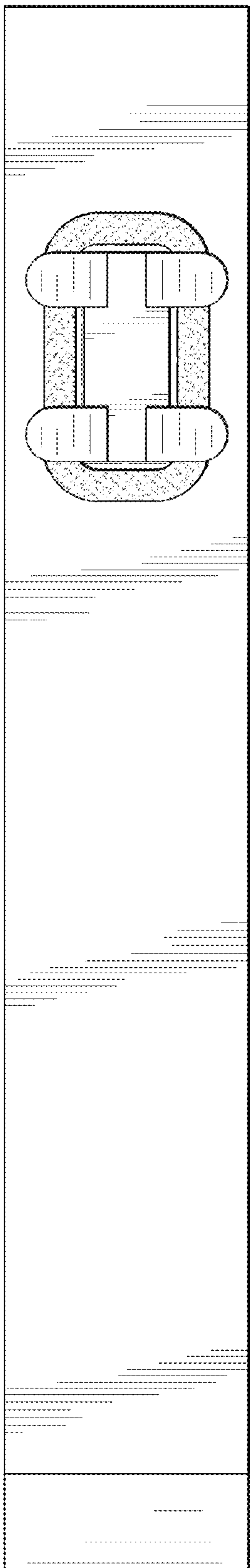


FIG. 2

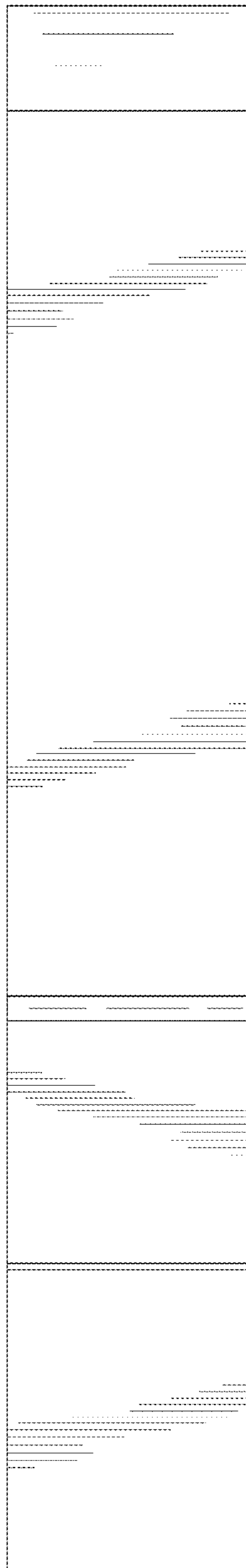


FIG. 3

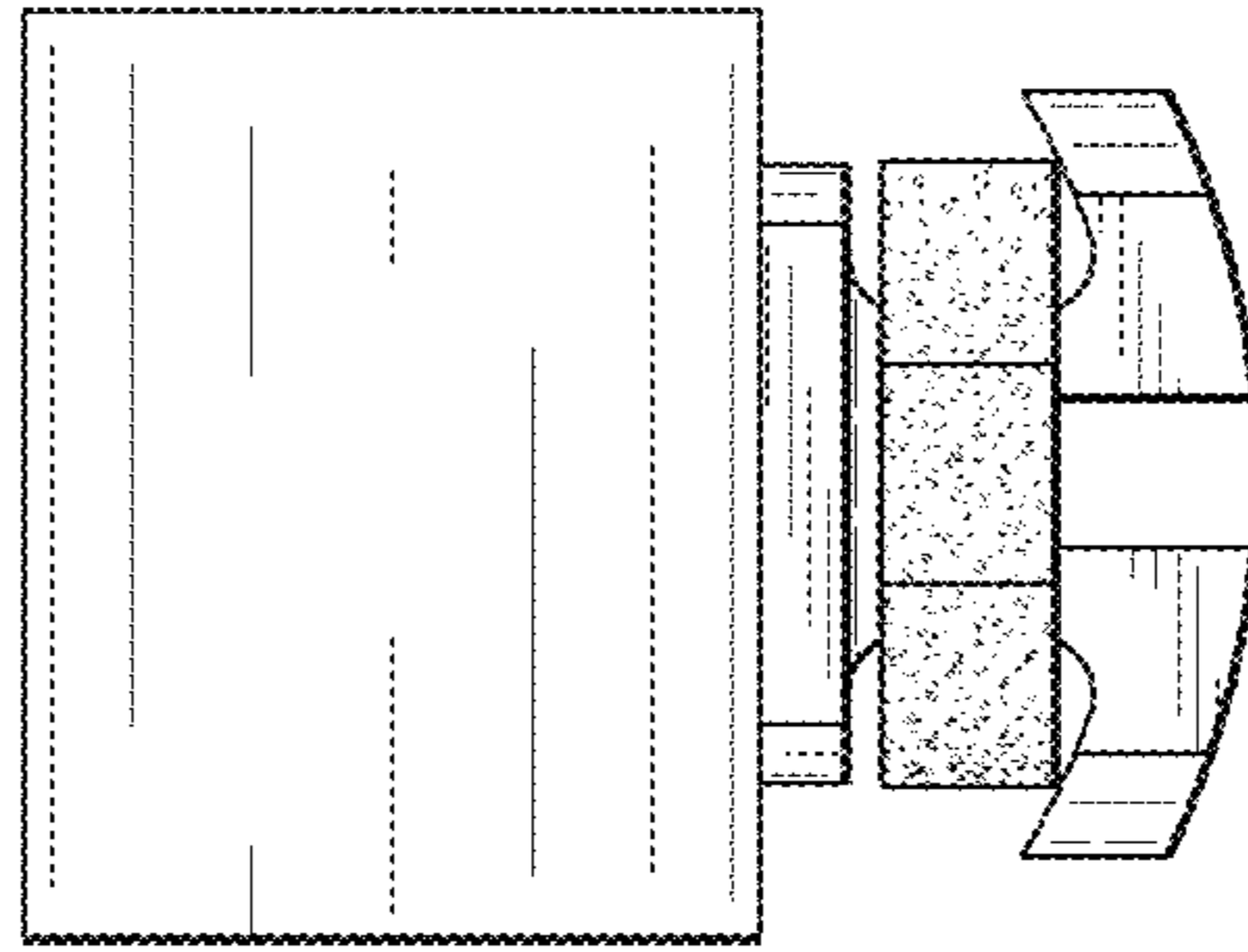


FIG. 4

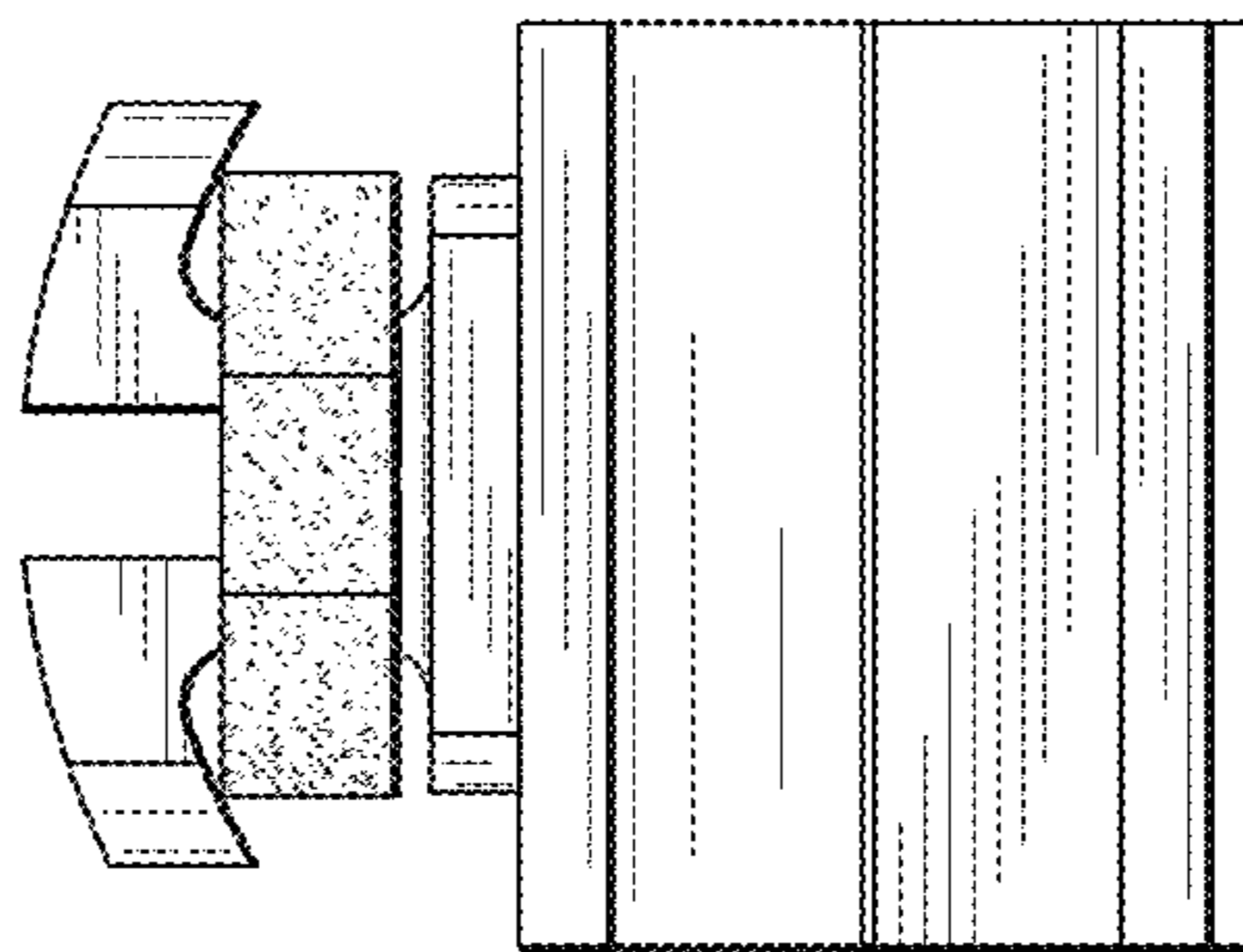


FIG. 5

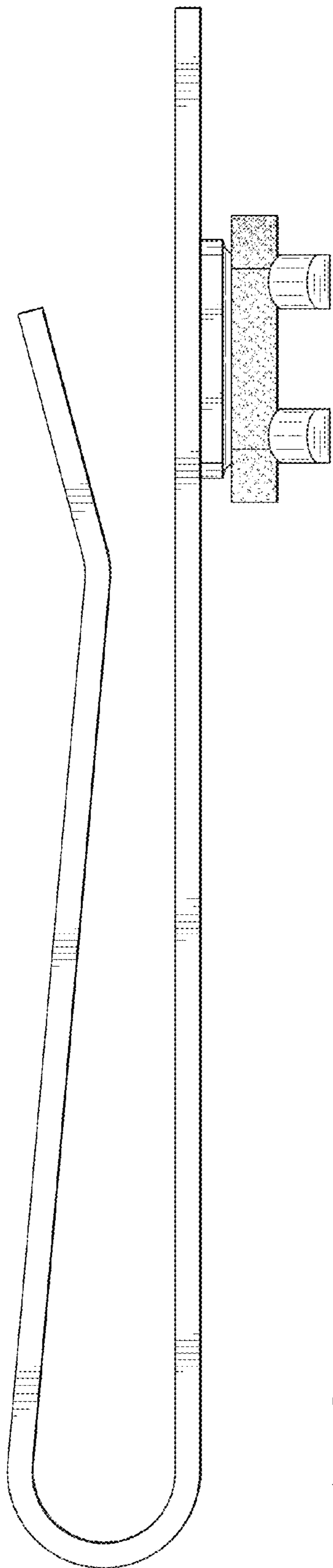


FIG. 6

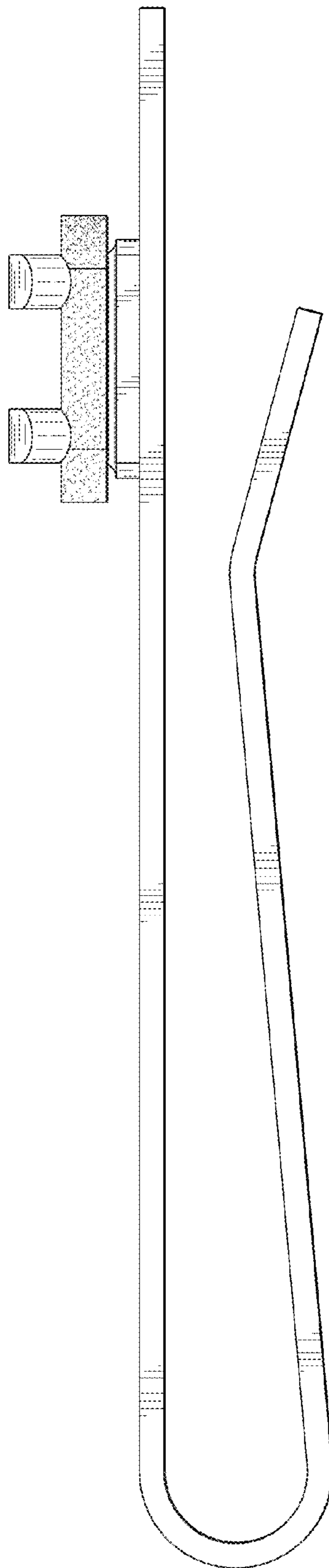


FIG. 7

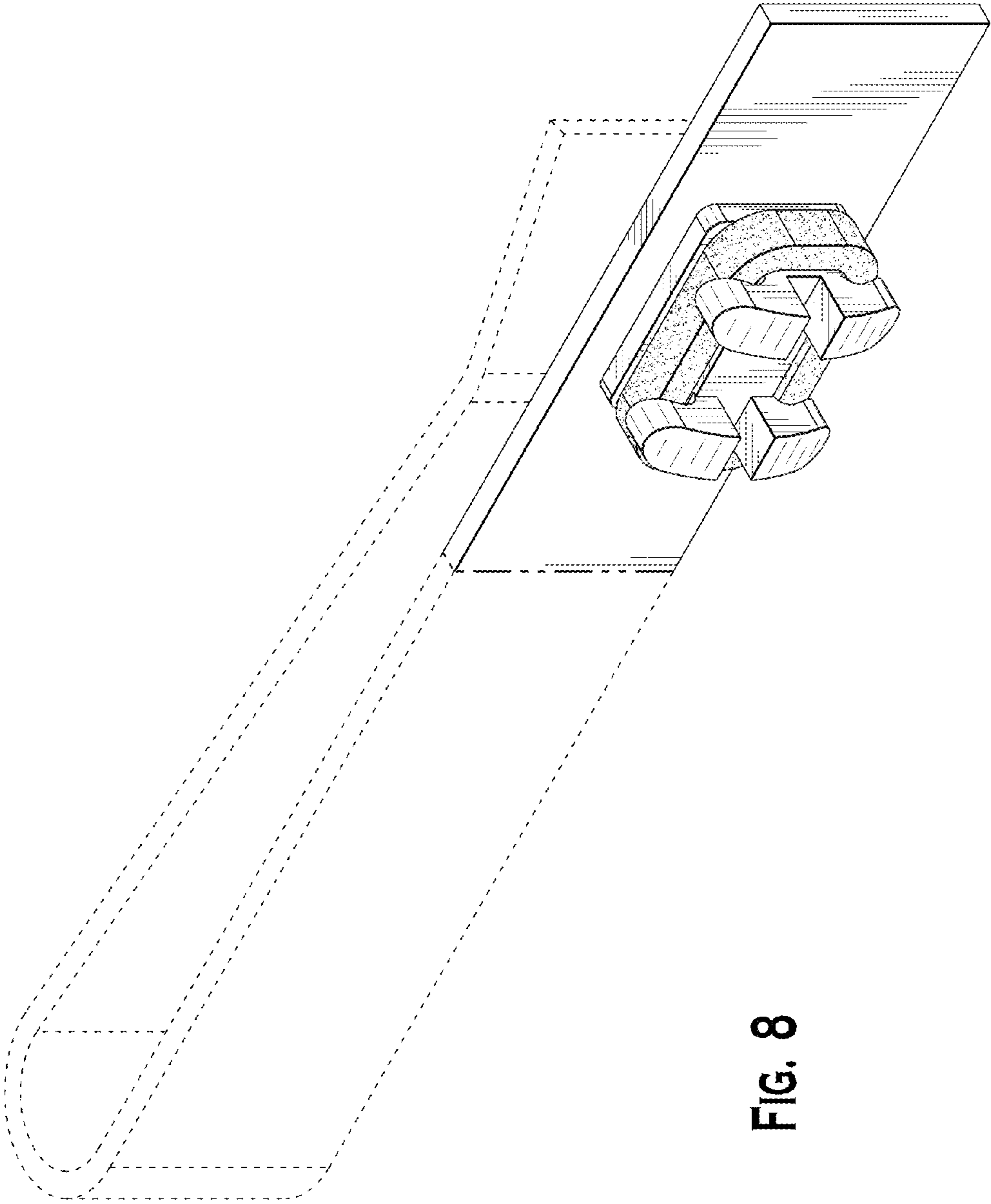


FIG. 8

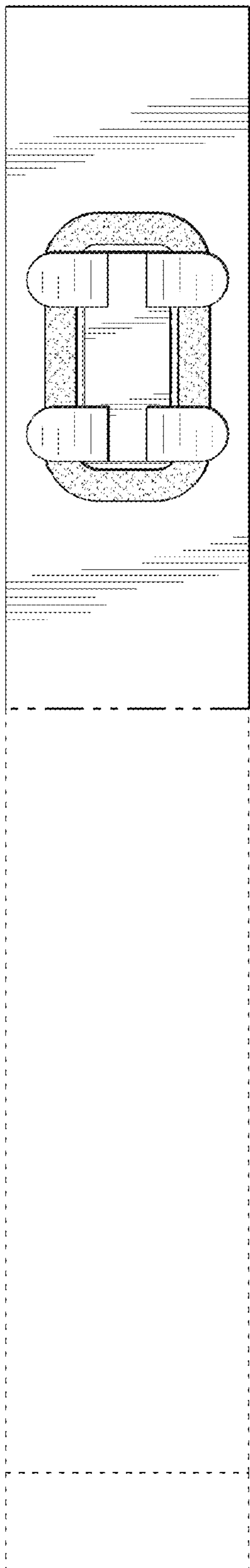


FIG. 9

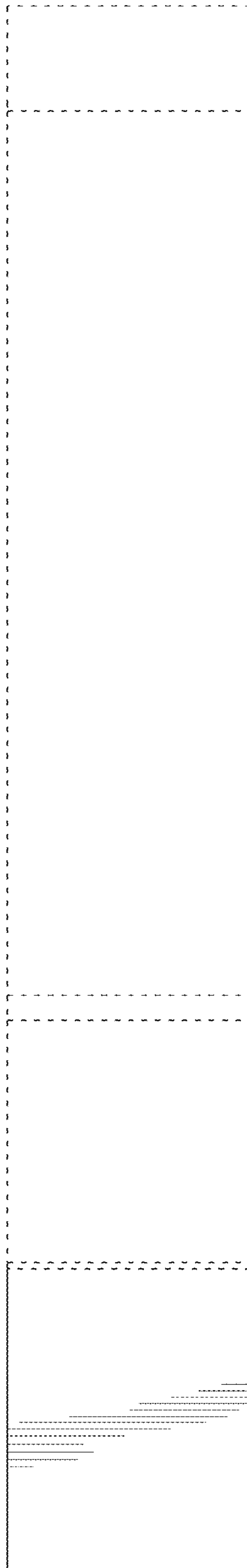


FIG. 10

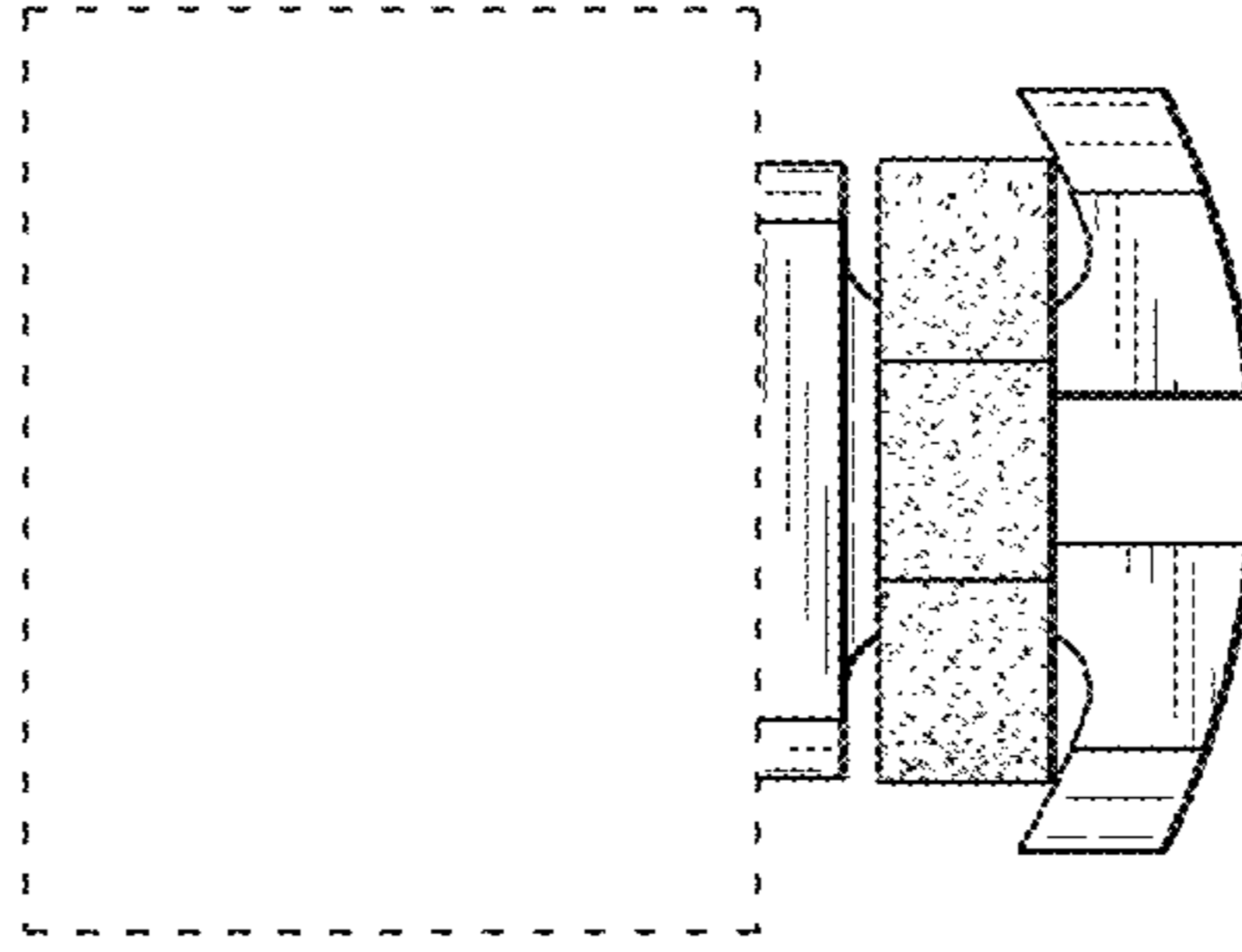


FIG. 11

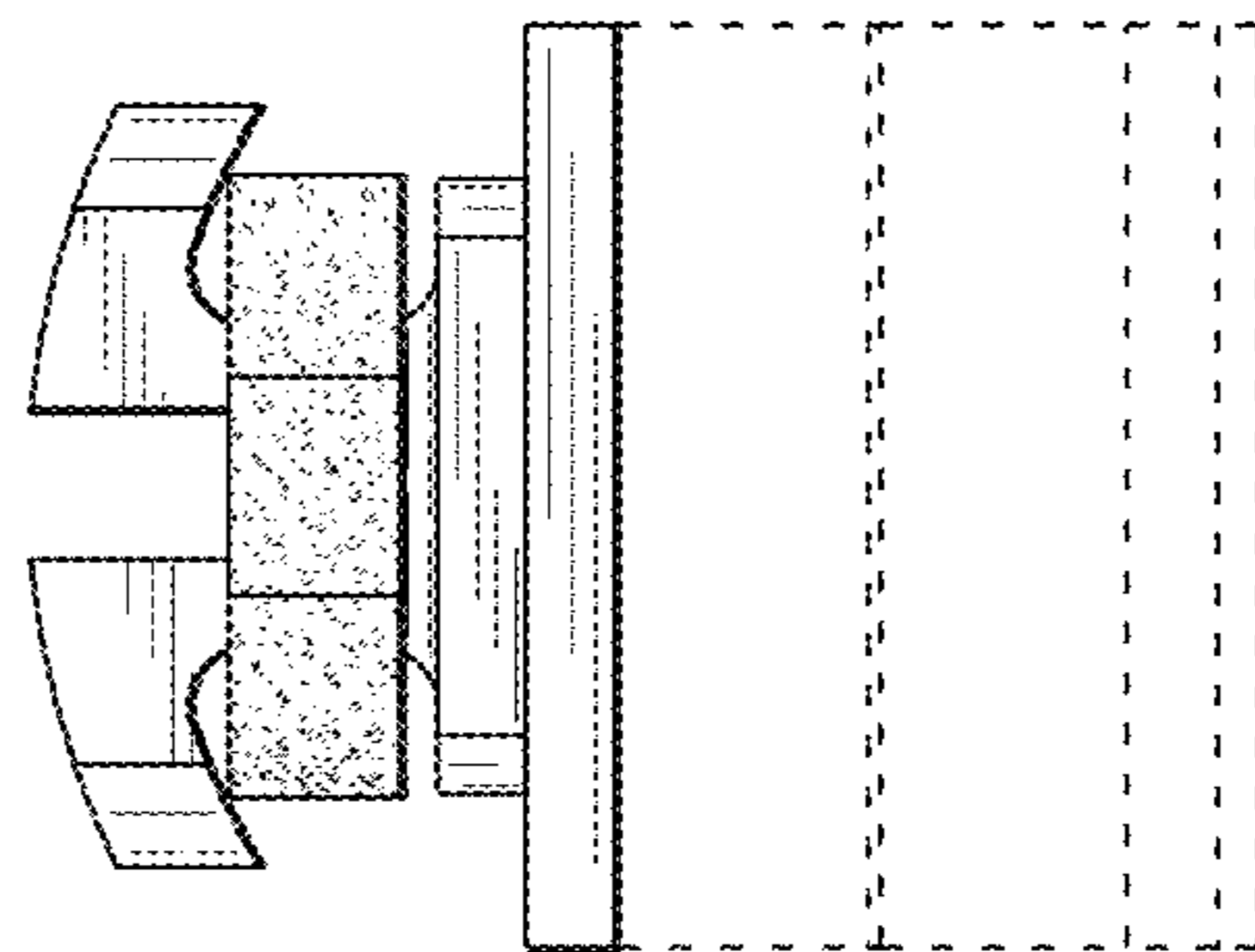


FIG. 12

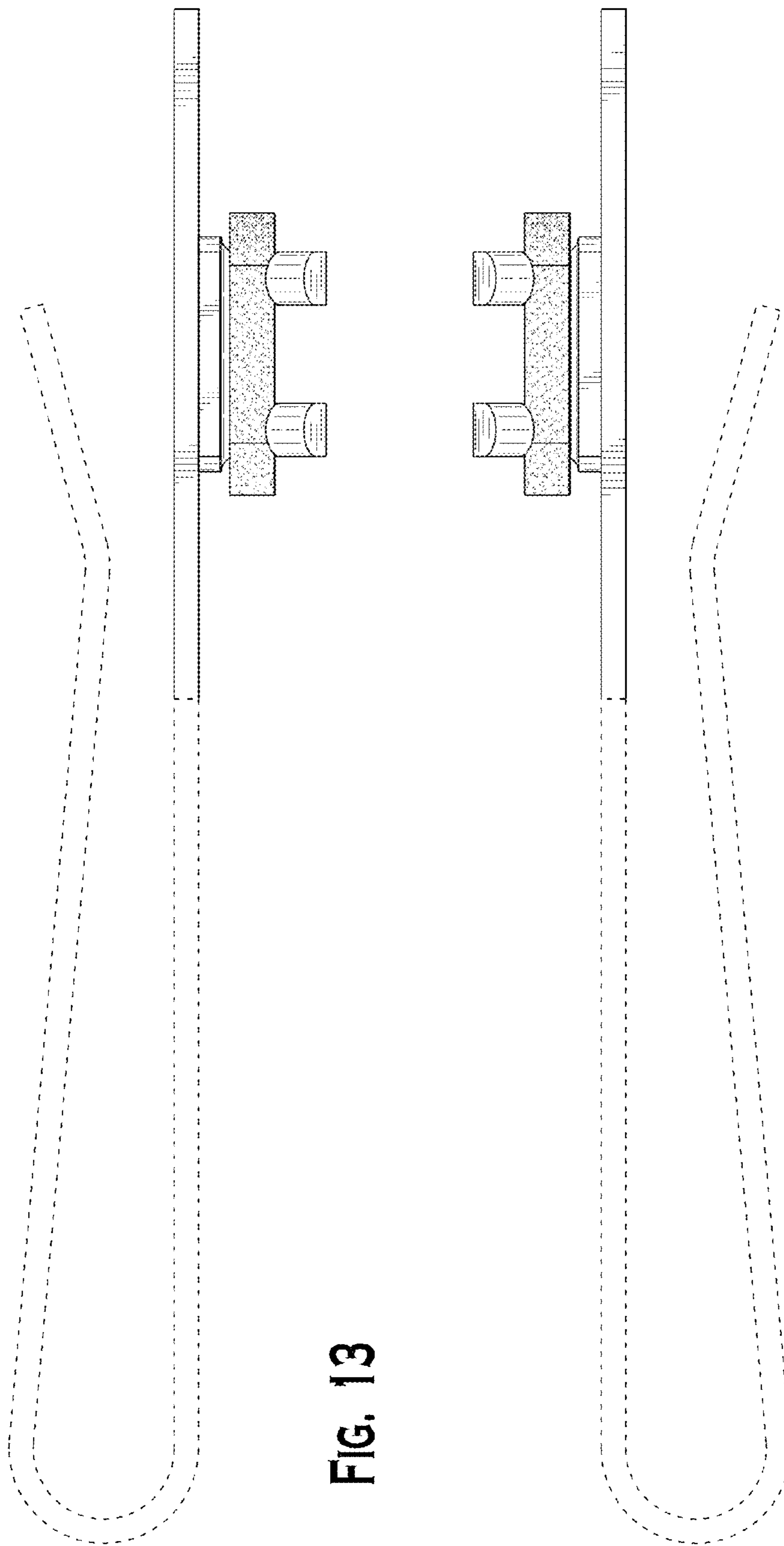


FIG. 13

FIG. 14