



US00D715684S

(12) **United States Design Patent**
Letney

(10) **Patent No.:** **US D715,684 S**
(45) **Date of Patent:** **** Oct. 21, 2014**

- (54) **UNITY HEART DEVICE**
- (71) Applicant: **Michael James Letney**, Tulsa, OK (US)
- (72) Inventor: **Michael James Letney**, Tulsa, OK (US)
- (**) Term: **14 Years**
- (21) Appl. No.: **29/457,052**
- (22) Filed: **Jun. 6, 2013**
- (51) **LOC (10) Cl.** **11-02**
- (52) **U.S. Cl.**
USPC **D11/157**
- (58) **Field of Classification Search**
USPC D11/1, 44, 48, 56, 70, 75, 78, 79, 81,
D11/96, 99, 103, 108, 121, 122, 125, 131,
D11/141, 157; D6/450, 451, 458, 462, 487,
D6/497, 499; D99/25, 27, 99; D20/29, 36;
428/3, 7-16, 542.2, 542.4, 542.6;
52/80.1, 80.2, 81.6, 648.1; 248/915
See application file for complete search history.

- D619,926 S 7/2010 Letney
- D637,515 S * 5/2011 Costephens D11/131
- D641,660 S * 7/2011 Cavness D11/157
- D645,261 S * 9/2011 Puskas D6/303
- 8,038,309 B2 10/2011 Yang
- D664,889 S * 8/2012 Cavness D11/157
- D669,391 S * 10/2012 Cadigan D11/133
- 8,418,344 B1 4/2013 Letney
- D686,385 S 7/2013 Letney

* cited by examiner

Primary Examiner — T. Chase Nelson

Assistant Examiner — Michelle E Wilson

(74) *Attorney, Agent, or Firm* — Head, Johnson & Kachigian, P.C.

(57) **CLAIM**

The ornamental design for a unity heart device, as shown and described.

DESCRIPTION

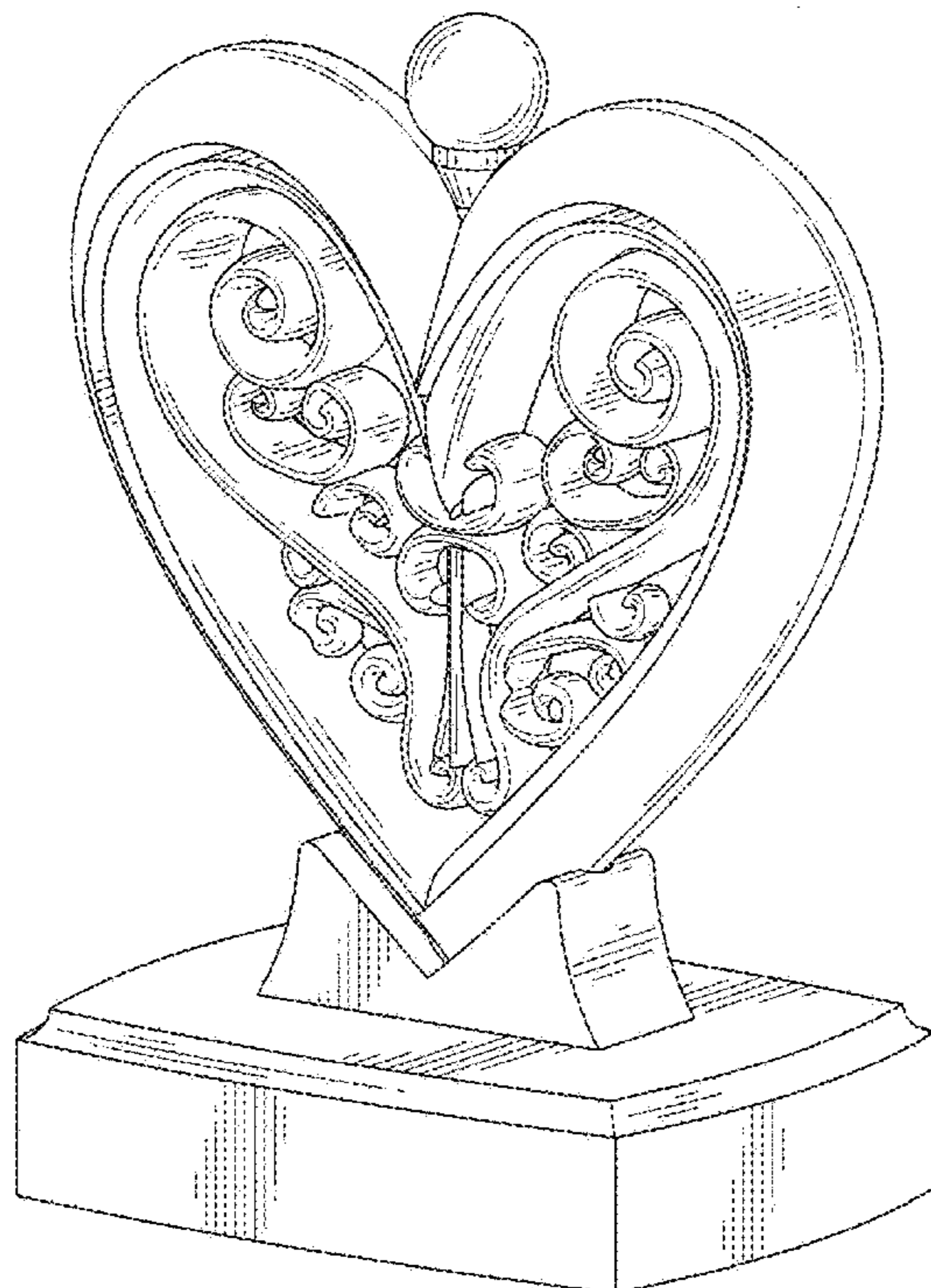
FIG. 1 is a perspective view of a unity heart device constructed in accordance with the present invention; FIG. 2 is a top view of the unity heart device as shown in FIG. 1; FIG. 3 is a front view of the unity heart device as shown in FIG. 1 with the back view being a mirror image thereof; FIG. 4 is a left side view of the unity heart device as shown in FIG. 1; and, FIG. 5 is a bottom view of the unity heart device as shown in FIG. 1 (the area in dashed line is disclaimed).

1 Claim, 3 Drawing Sheets

(56) **References Cited**

U.S. PATENT DOCUMENTS

274,638 A	3/1883	Mould	
2,355,154 A	8/1944	Goudreau	
2,533,778 A	6/1946	Eckhardt	
D461,616 S	* 8/2002	Stein D99/19
D496,299 S	* 9/2004	Ljahnicky et al. D11/81
D523,757 S	* 6/2006	Garcia et al. D9/629
D526,241 S	* 8/2006	Cavness D11/157
D528,038 S	* 9/2006	Cavness D11/157
D589,719 S	* 4/2009	Cute D6/404



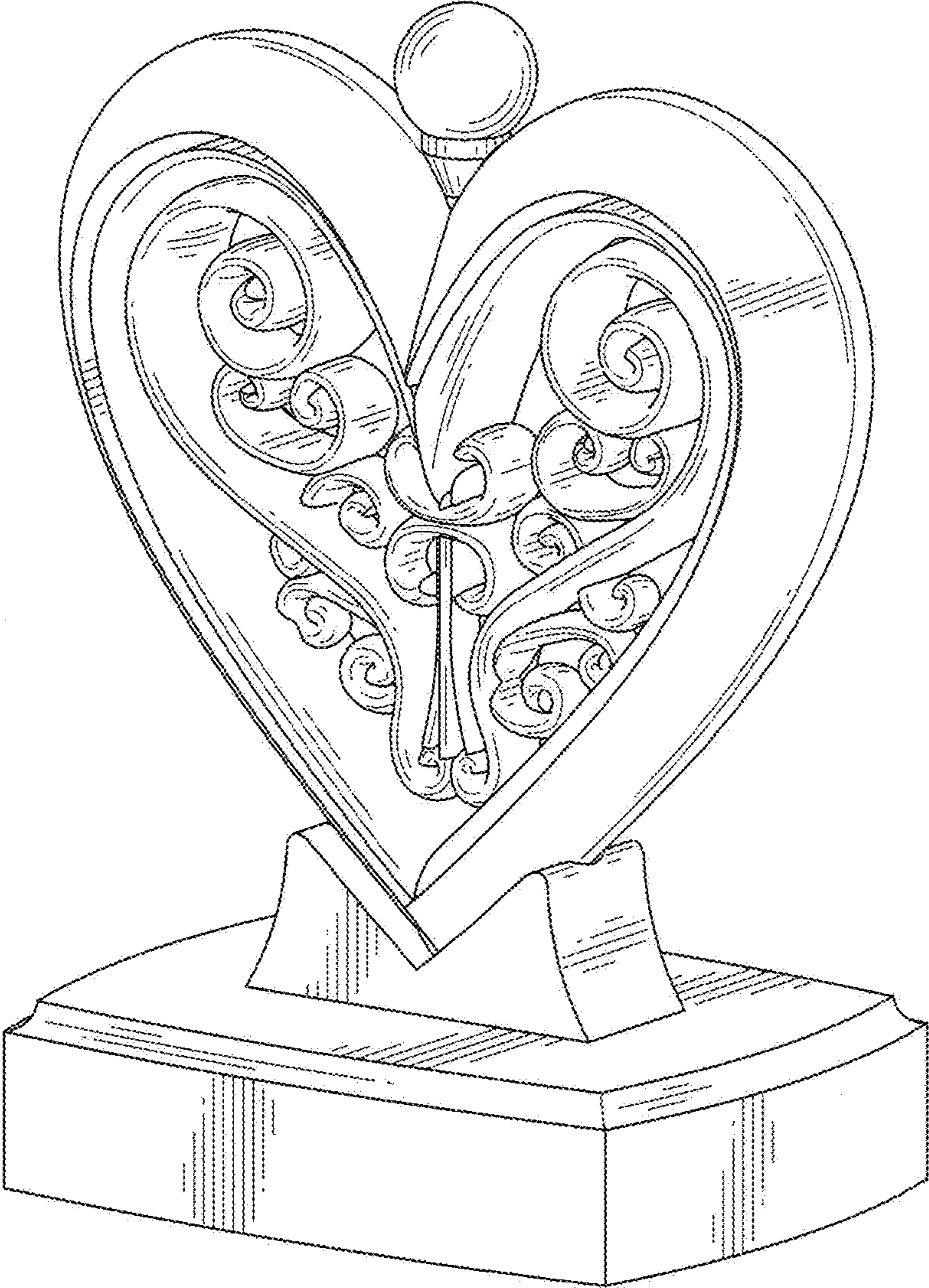


FIG. 1

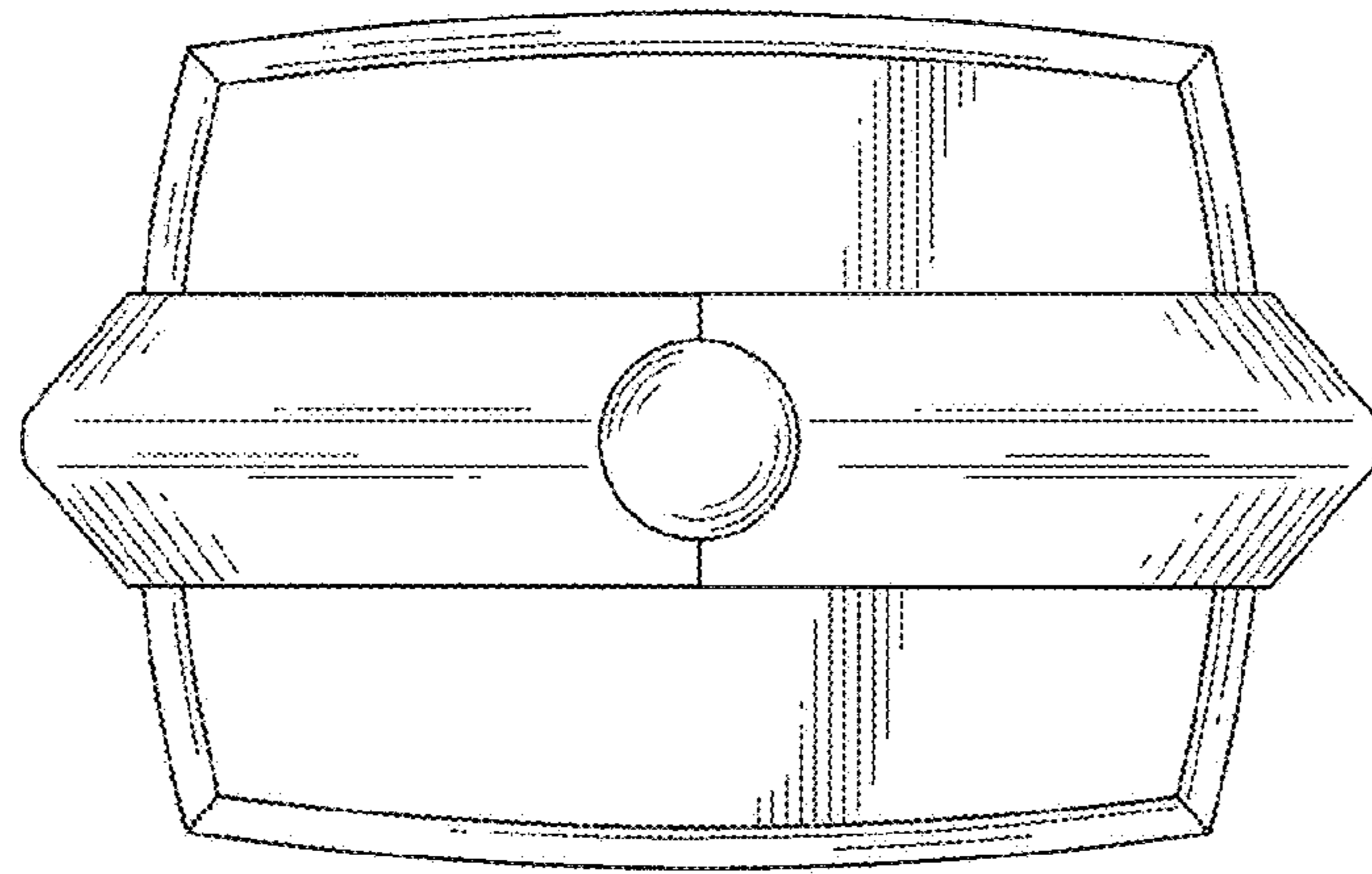


FIG. 2

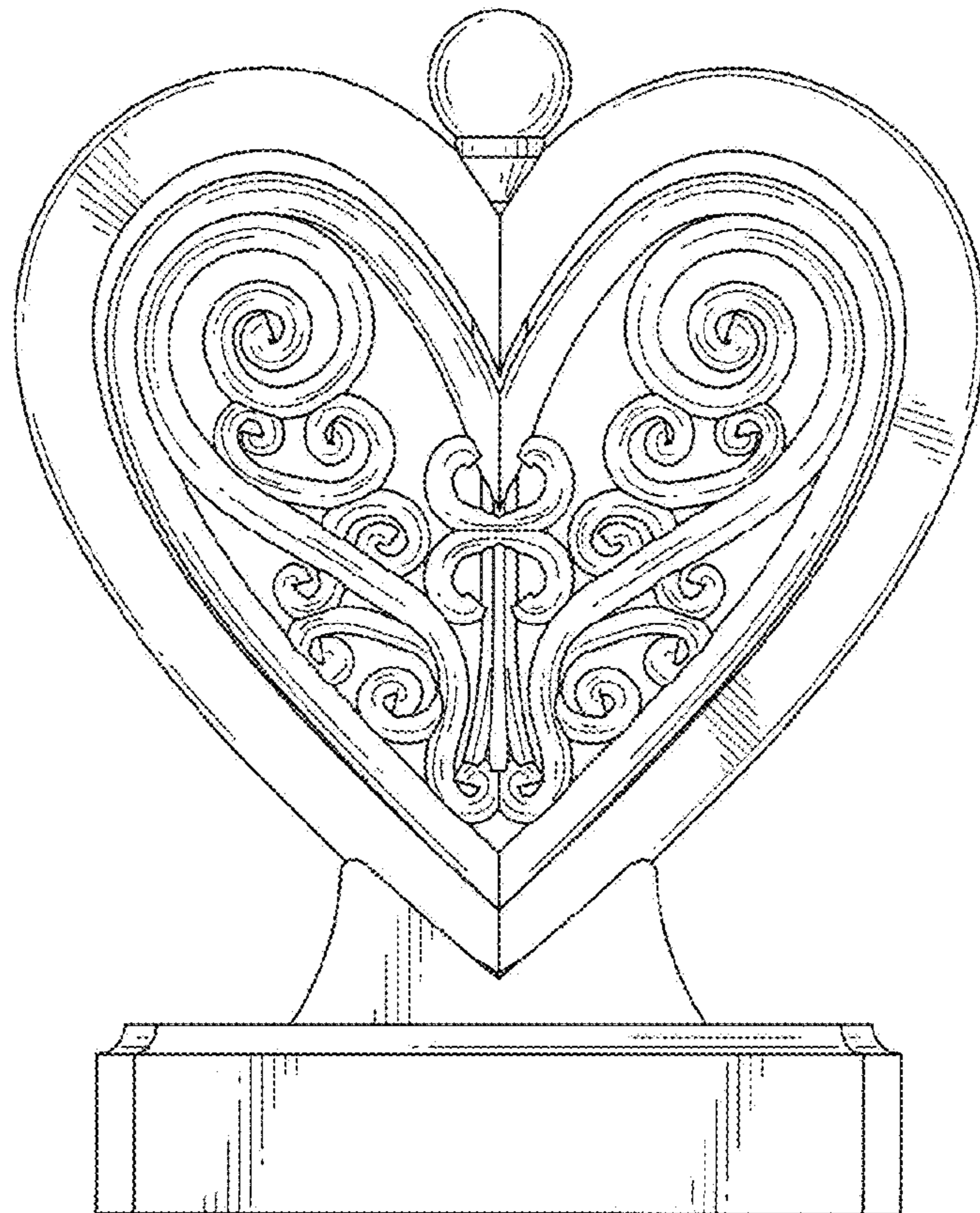


FIG. 3

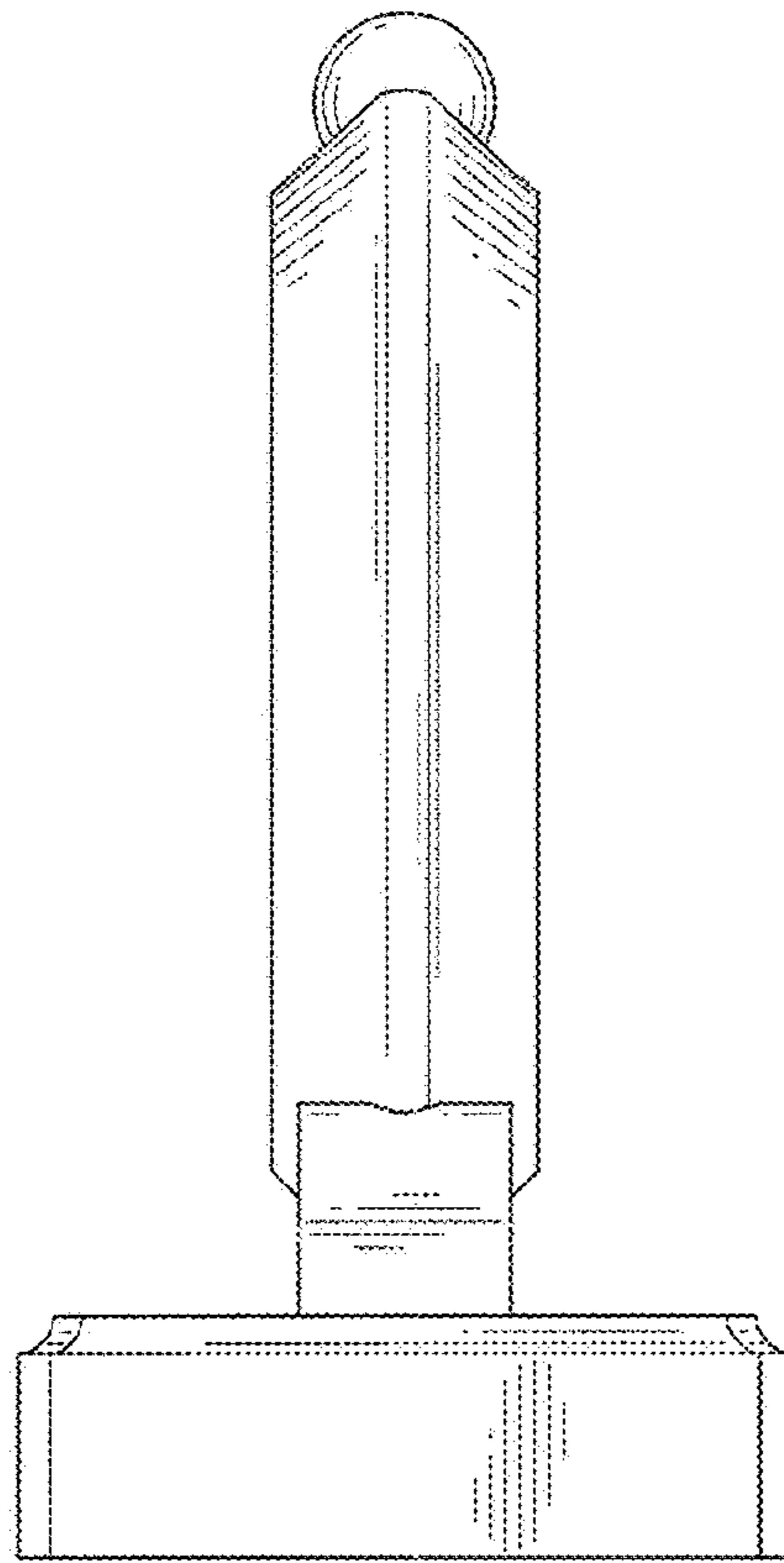


FIG. 4

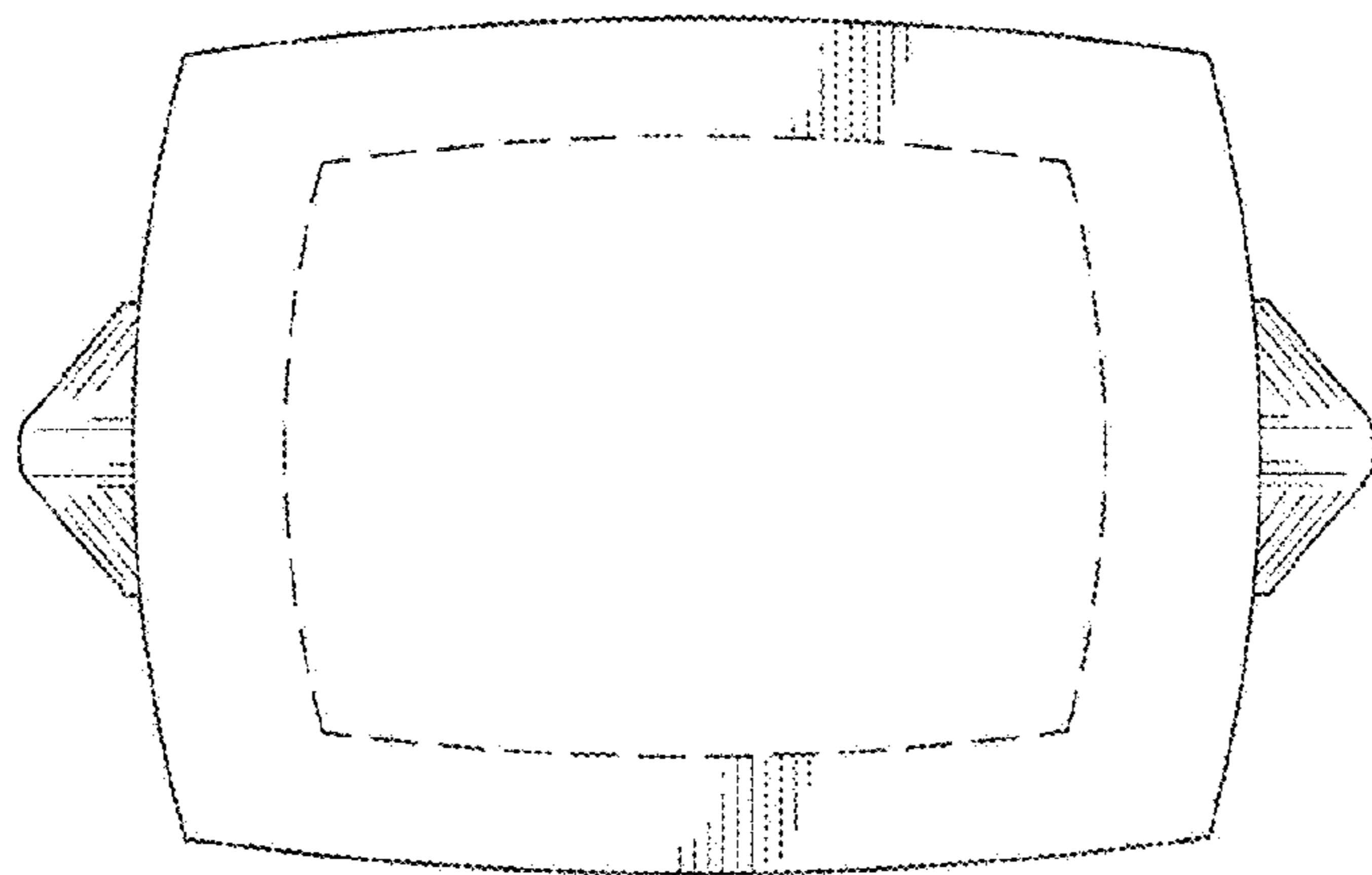


FIG. 5