



US00D715683S

(12) **United States Design Patent**
Letney

(10) **Patent No.:** **US D715,683 S**
(45) **Date of Patent:** **** Oct. 21, 2014**

- (54) **UNITY HEART ASSEMBLY**
- (71) Applicant: **Michael James Letney**, Tulsa, OK (US)
- (72) Inventor: **Michael James Letney**, Tulsa, OK (US)
- (**) Term: **14 Years**
- (21) Appl. No.: **29/449,773**
- (22) Filed: **Mar. 15, 2013**
- (51) **LOC (10) Cl.** **11-02**
- (52) **U.S. Cl.**
USPC **D11/157**
- (58) **Field of Classification Search**
USPC D11/1, 44, 48, 56, 70, 75, 78, 79, 81,
D11/96, 99, 103, 108, 121, 122, 125, 131,
D11/141, 157; D6/450, 451, 458, 462, 487,
D6/497, 499; D99/25, 27, 99; D20/29, 36;
428/3, 7-16, 542.2, 542.4, 542.6;
52/80.1, 80.2, 81.6, 648.1; 248/915
See application file for complete search history.

D664,889 S * 8/2012 Cavness D11/157
 D669,391 S * 10/2012 Cadigan D11/133
 8,418,344 B1 4/2013 Letney

OTHER PUBLICATIONS

Pending Design U.S. Appl. No. 29/457,052, filed Jun. 6, 2013,
 entitled Unity Heart Device, inventor Michael James Letney.
 Pending Design U.S. Appl. No. 29/427,448, filed Jul. 18, 2012,
 entitled Three-Piece Cross Assembly, inventor Michael James
 Letney.

* cited by examiner

Primary Examiner — T. Chase Nelson
Assistant Examiner — Michelle E Wilson
 (74) *Attorney, Agent, or Firm* — Head, Johnson &
 Kachigian, P.C.

(57) **CLAIM**
 The ornamental design for a unity heart assembly, as shown
 and described.

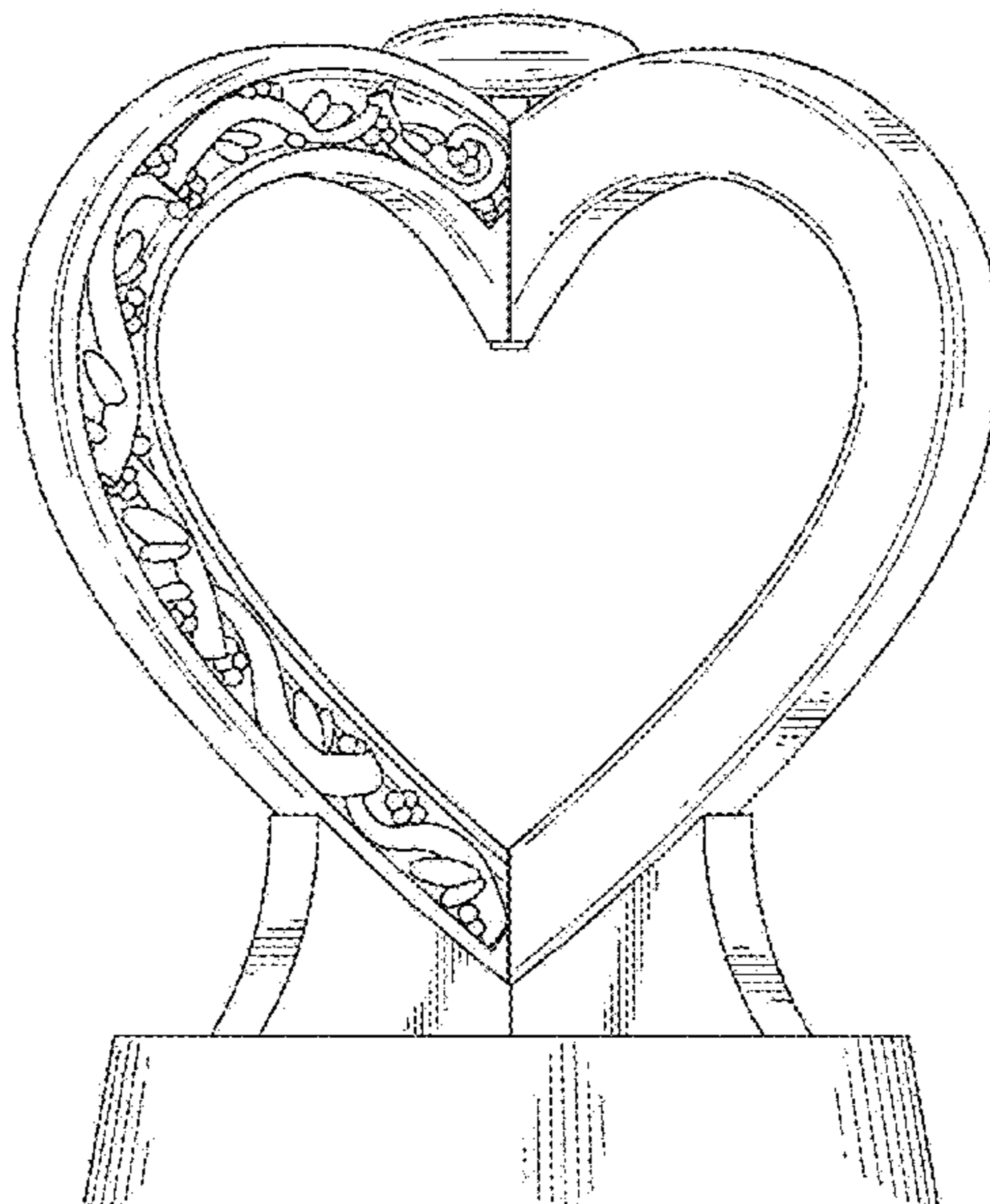
DESCRIPTION

FIG. 1 is a perspective view of a unity heart assembly con-
 structed in accordance with the present invention;
 FIG. 2 is a top view of the unity heart assembly as shown in
 FIG. 1;
 FIG. 3 is a front view of the unity heart assembly as shown in
 FIG. 1;
 FIG. 4 is a back view of the unity heart assembly as shown in
 FIG. 1;
 FIG. 5 is a bottom view of the unity heart assembly as shown
 in FIG. 1 (the area in dashed line is disclaimed);
 FIG. 6 is a left side view of the unity heart assembly as shown
 in FIG. 1; and,
 FIG. 7 is a right side view of the unity heart assembly as
 shown in FIG. 1.

(56) **References Cited**
U.S. PATENT DOCUMENTS

274,638	A	3/1883	Mould	
2,355,154	A	8/1944	Goudreau	
2,533,778	A	6/1946	Eckhardt	
D461,616	S *	8/2002	Stein	D99/19
D496,299	S *	9/2004	Ljahnicky et al.	D11/81
D523,757	S *	6/2006	Garcia et al.	D9/629
D526,241	S *	8/2006	Cavness	D11/157
D528,038	S *	9/2006	Cavness	D11/157
D589,719	S *	4/2009	Cute	D6/404
D619,926	S	7/2010	Letney	
D637,515	S *	5/2011	Costephens	D11/131
D641,660	S *	7/2011	Cavness	D11/157
D645,261	S *	9/2011	Puskas	D6/303
8,038,309	B2	10/2011	Yang	

1 Claim, 4 Drawing Sheets



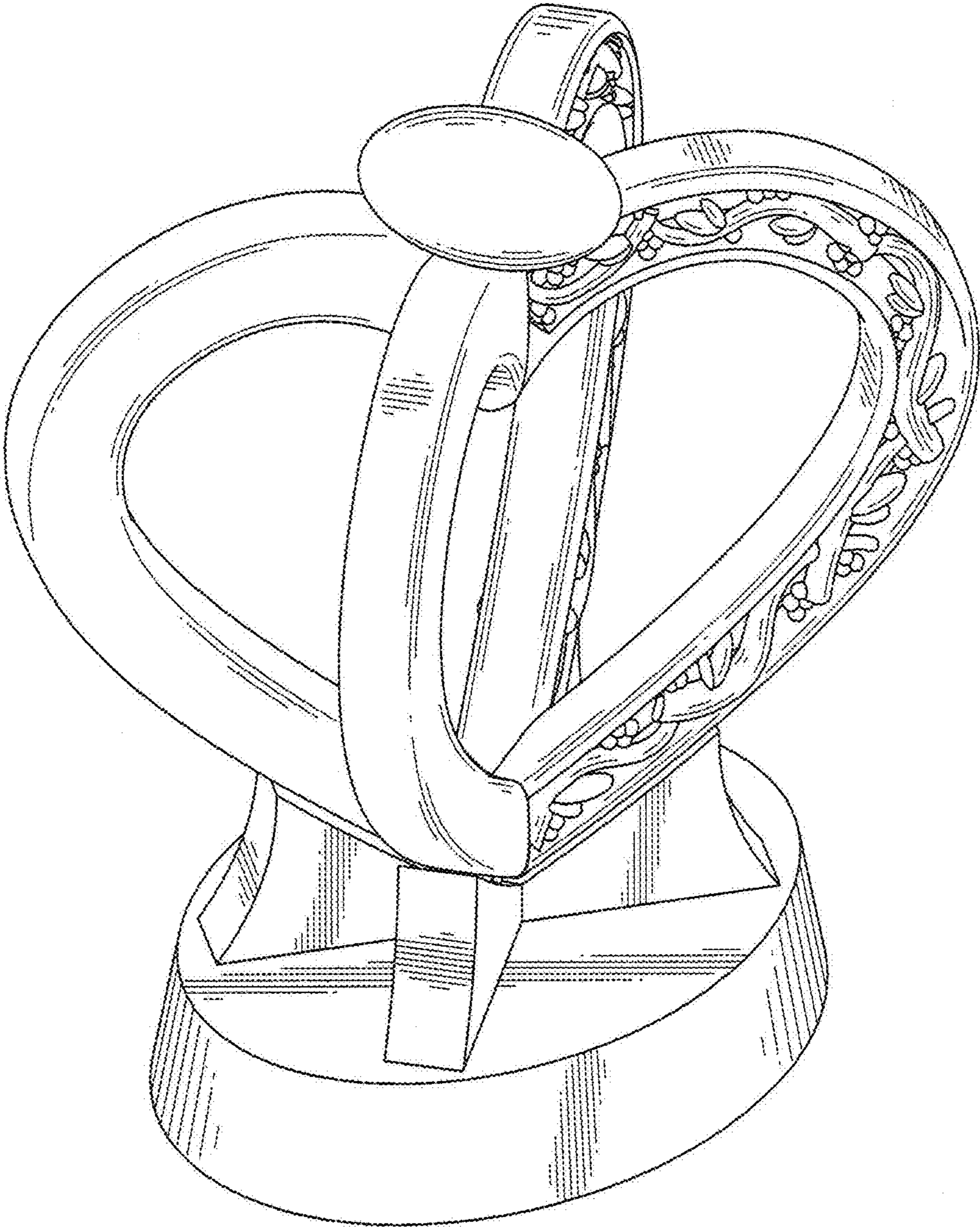


FIG. 1

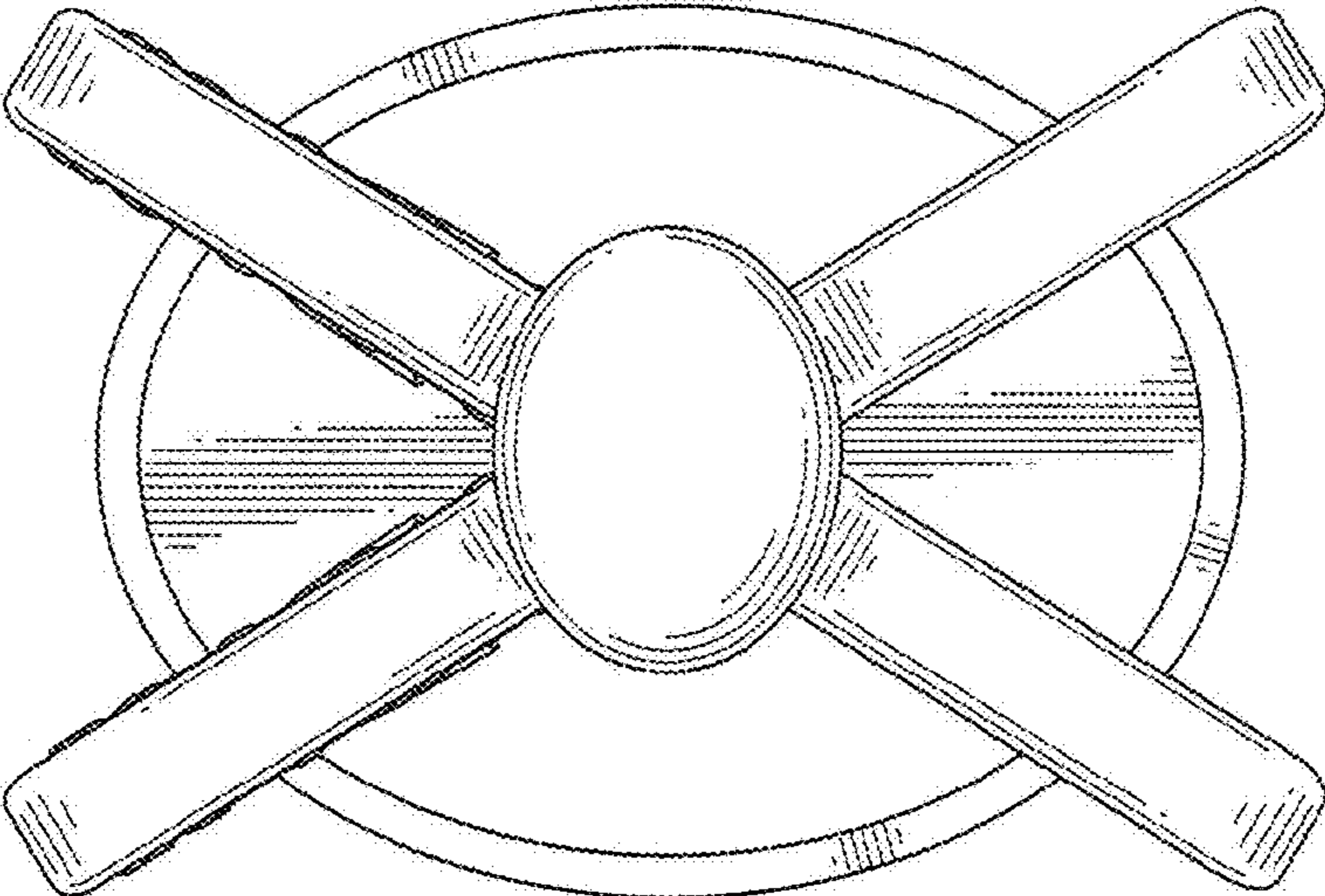


FIG. 2

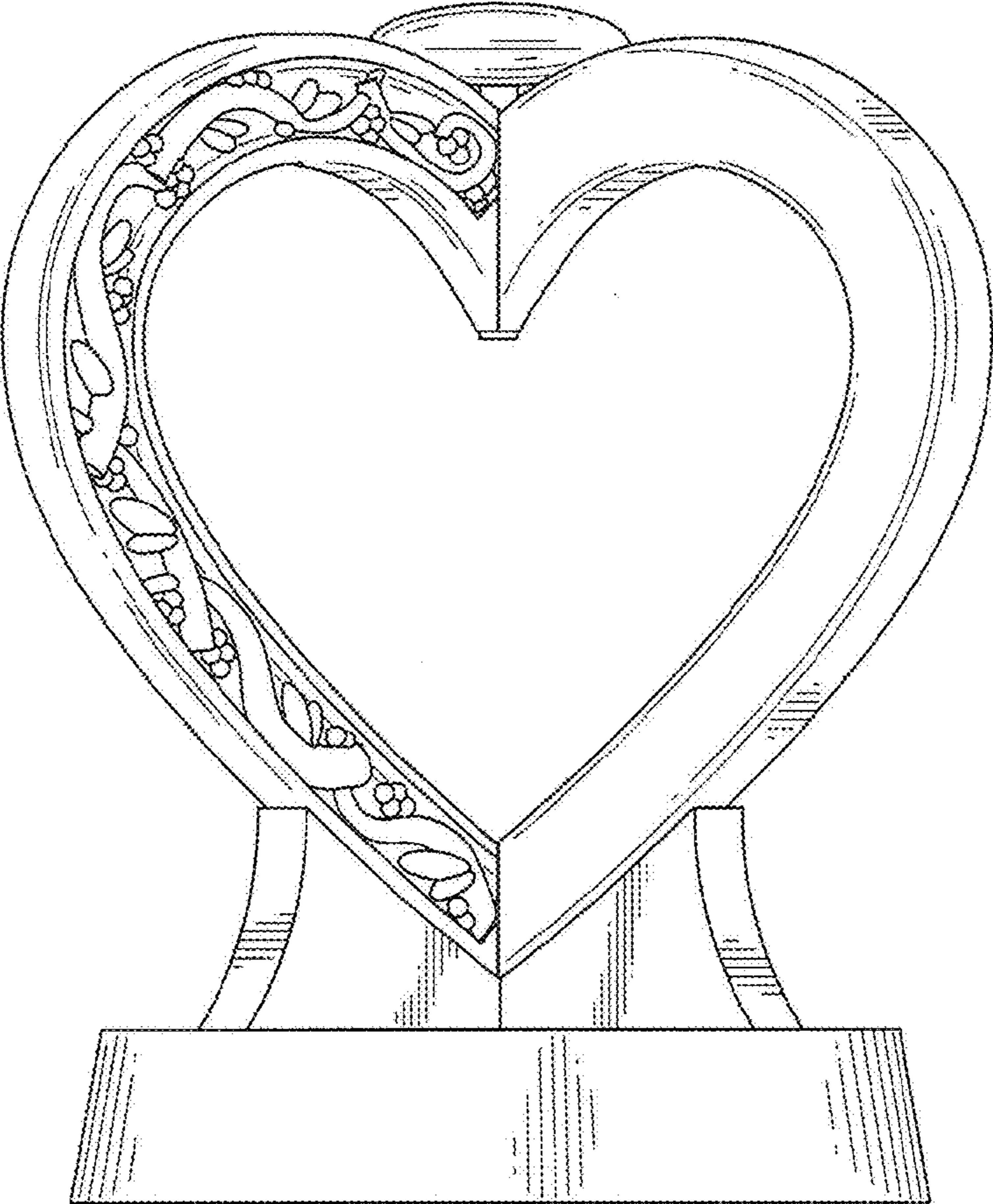


FIG. 3

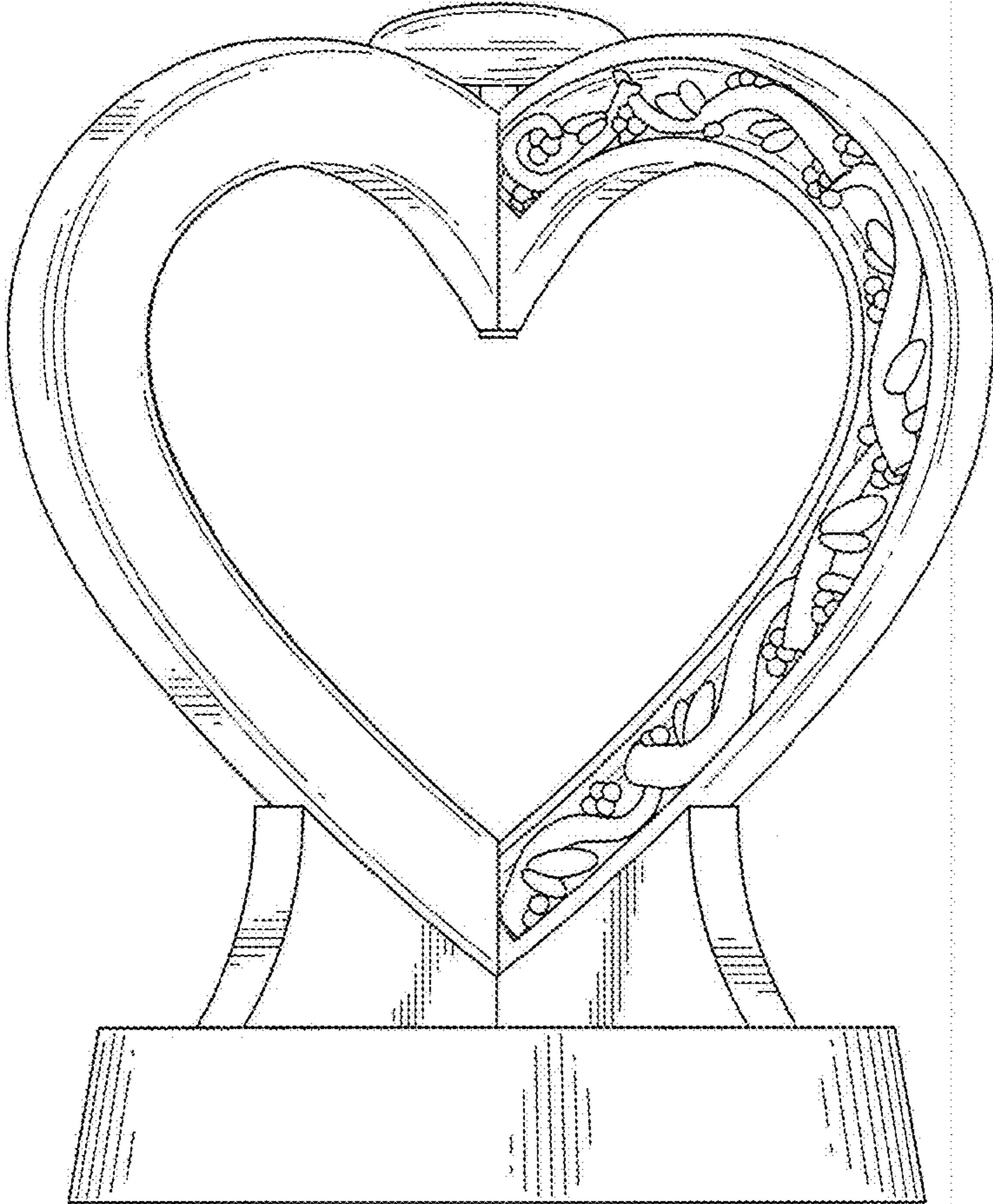


FIG. 4

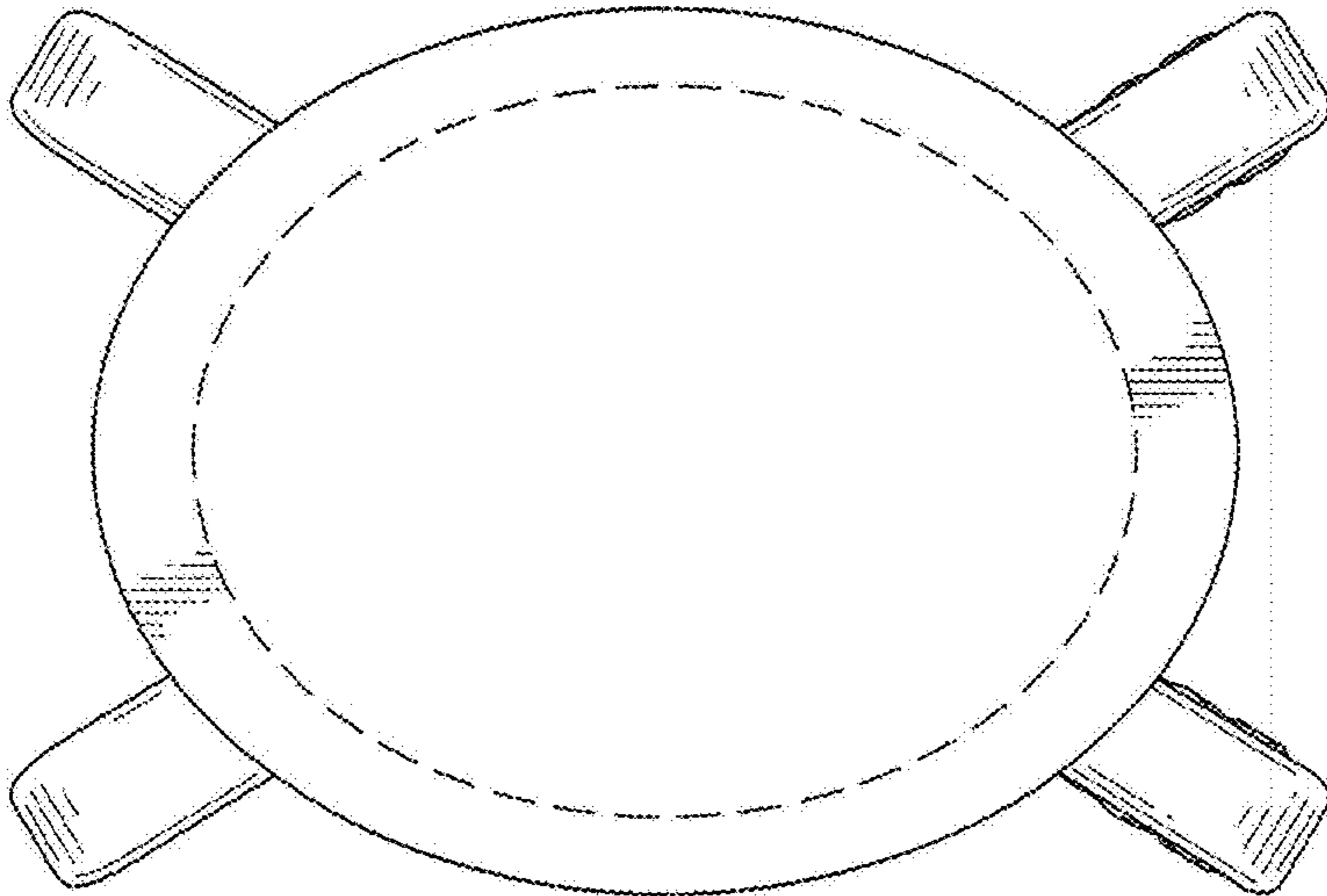


FIG. 5

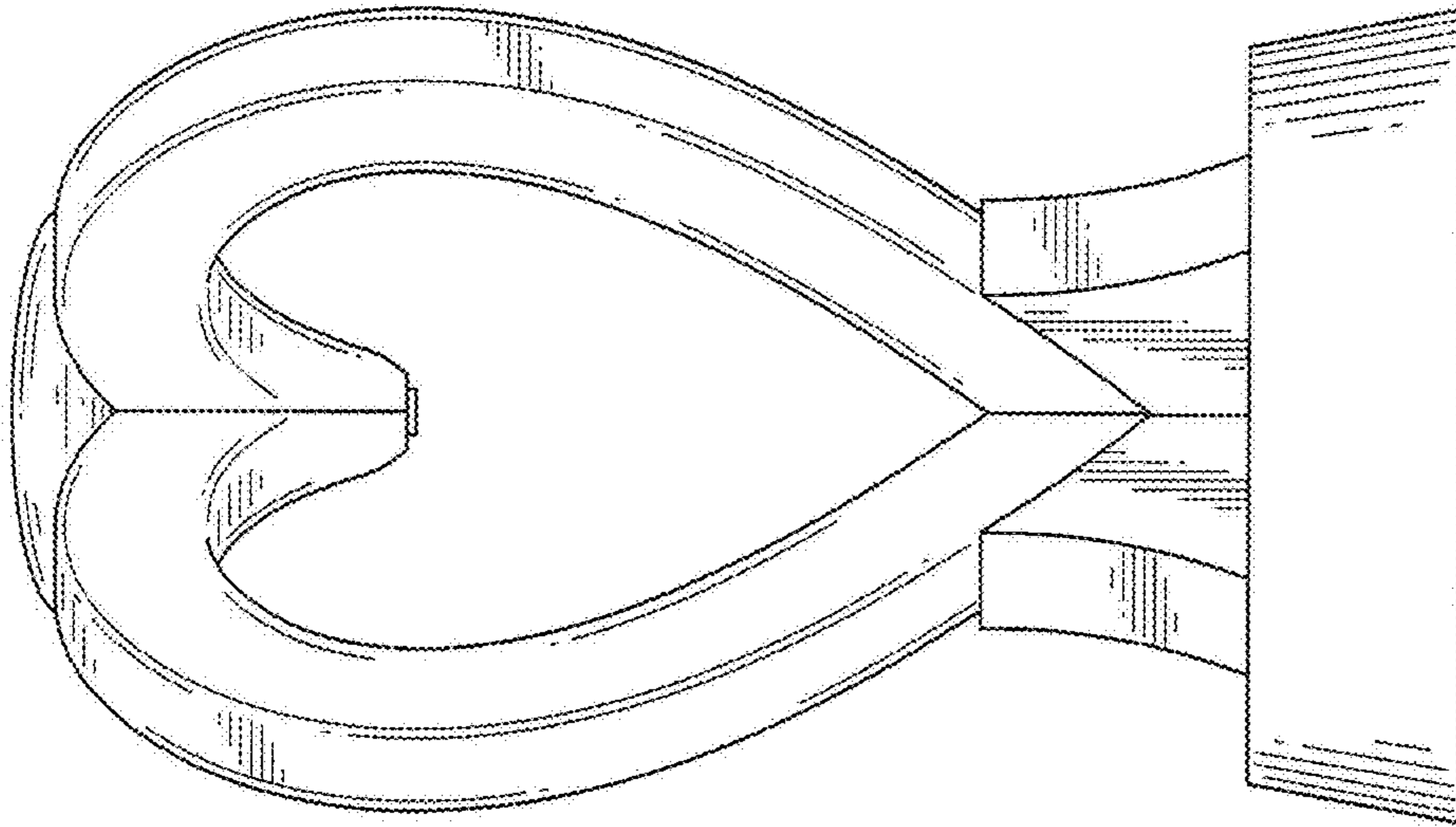


FIG. 7

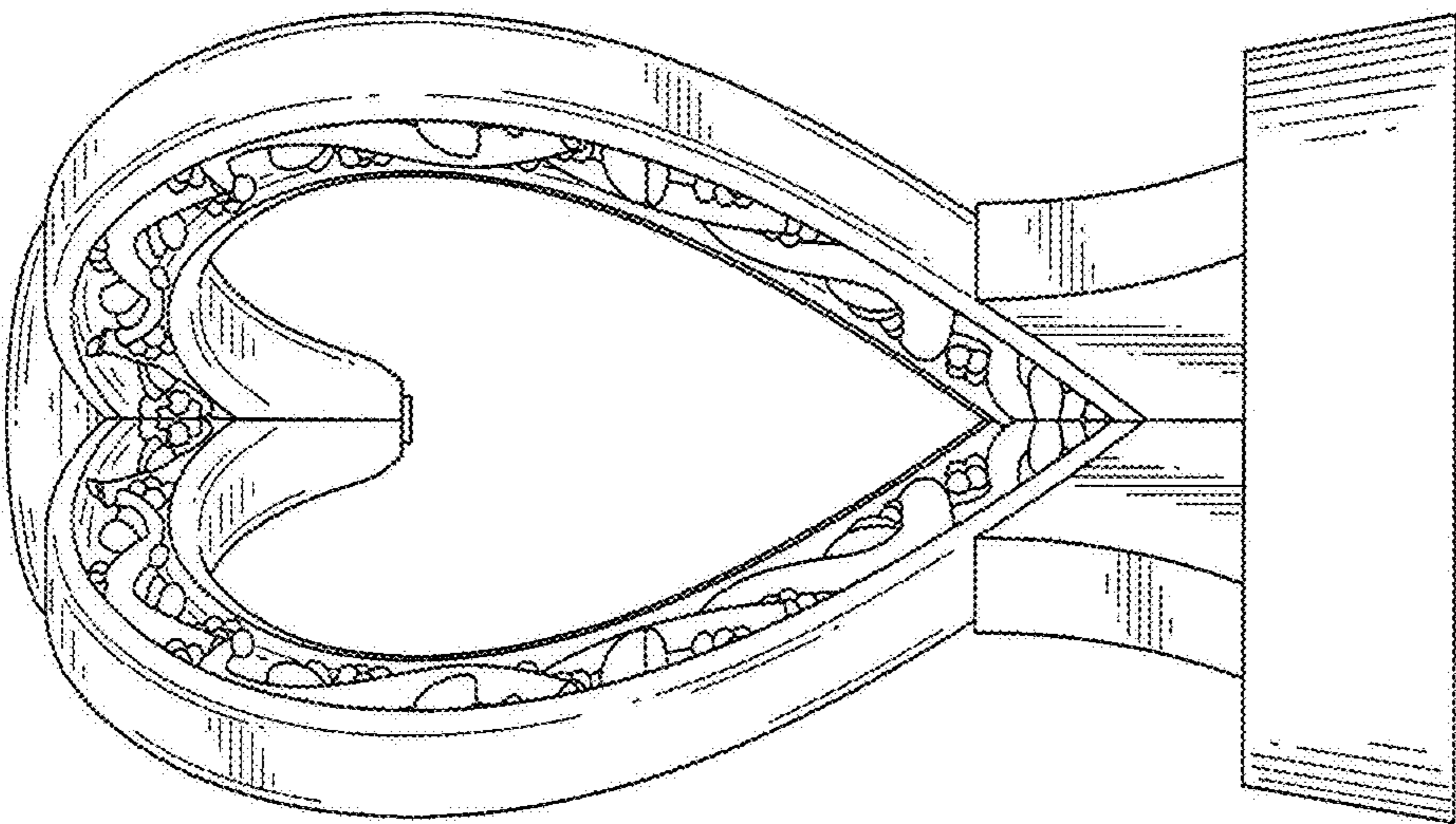


FIG. 6