

US00D715681S

(12) **United States Design Patent**
Bailey

(10) **Patent No.:** **US D715,681 S**

(45) **Date of Patent:** **** Oct. 21, 2014**

(54) **STACKABLE OBJECT FOR DISPLAYING A RELIC**

(76) Inventor: **Paul Bailey**, Sydney (AU)

(**) Term: **14 Years**

(21) Appl. No.: **29/431,353**

(22) Filed: **Sep. 6, 2012**

(51) **LOC (10) Cl.** **11-02**

(52) **U.S. Cl.**
USPC **D11/133**

(58) **Field of Classification Search**
USPC D11/131, 133, 136, 157; D99/17,
D99/20-22; 446/476; D21/483; 52/103;
27/1, 2

See application file for complete search history.

(56) **References Cited**

U.S. PATENT DOCUMENTS

D31,543 S *	9/1899	Ossola	D99/21
D174,377 S *	4/1955	Dossman	D6/571
D230,808 S *	3/1974	Edwards	D6/302
D254,114 S *	2/1980	Lyman et al.	D6/302
D260,009 S *	7/1981	Zieselman	D11/131
4,522,404 A *	6/1985	Di Gregorio	273/157 R
5,711,099 A *	1/1998	Nesbit et al.	40/406
D435,159 S *	12/2000	Steele et al.	D99/22
D449,237 S *	10/2001	Suchta	D10/46
D480,425 S *	10/2003	Suchta	D19/59
D654,827 S *	2/2012	Brun	D11/132

* cited by examiner

Primary Examiner — Michael A Pratt

Assistant Examiner — Michelle E Wilson

(74) *Attorney, Agent, or Firm* — William J. Sapone; Ware Fressola; Maguire & Barber LLP

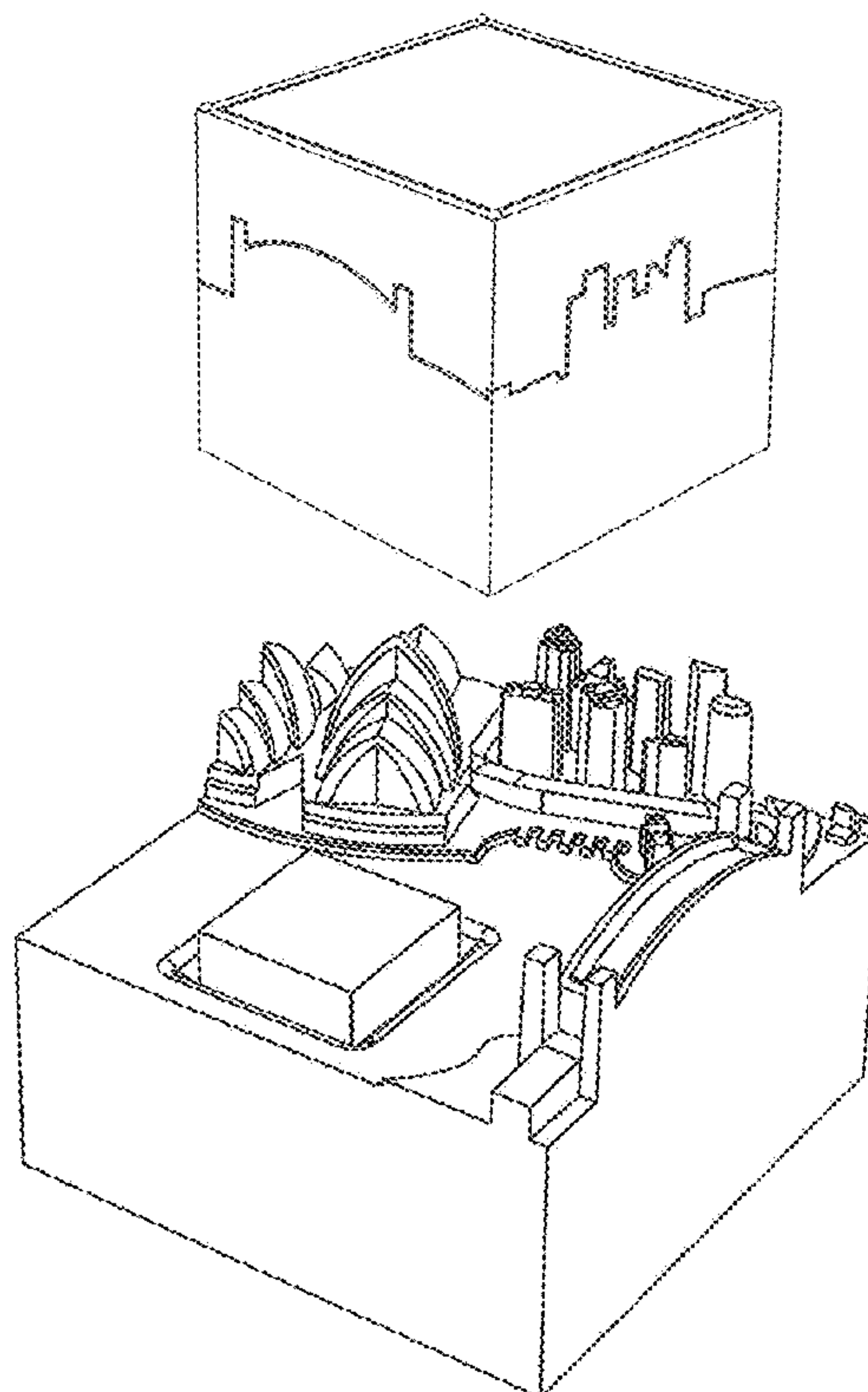
(57) **CLAIM**

I claim the ornamental design for a stackable object for displaying a relic, as shown and described.

DESCRIPTION

FIG. 1 is a front perspective view of the stackable object for displaying a relic, showing my new design, the object having a covering portion disposed on top of a display portion;
 FIG. 2 is a rear perspective view thereof;
 FIG. 3 is a top view thereof;
 FIG. 4 is a left side view thereof;
 FIG. 5 is a right side view thereof;
 FIG. 6 is a rear view thereof;
 FIG. 7 is a front perspective view of the display portion of the stackable object with the covering portion removed, the display portion having a receptacle for displaying a relic in association with a relevant three dimensional representation;
 FIG. 8 is a rear perspective view thereof;
 FIG. 9 is a left side perspective view thereof;
 FIG. 10 is a top view thereof;
 FIG. 11 is a front view of the stackable object with the display portion stacked on top of the covering portion;
 FIG. 12 is a left side view thereof;
 FIG. 13 is a front view thereof; and,
 FIG. 14 is a right side view thereof.

1 Claim, 8 Drawing Sheets



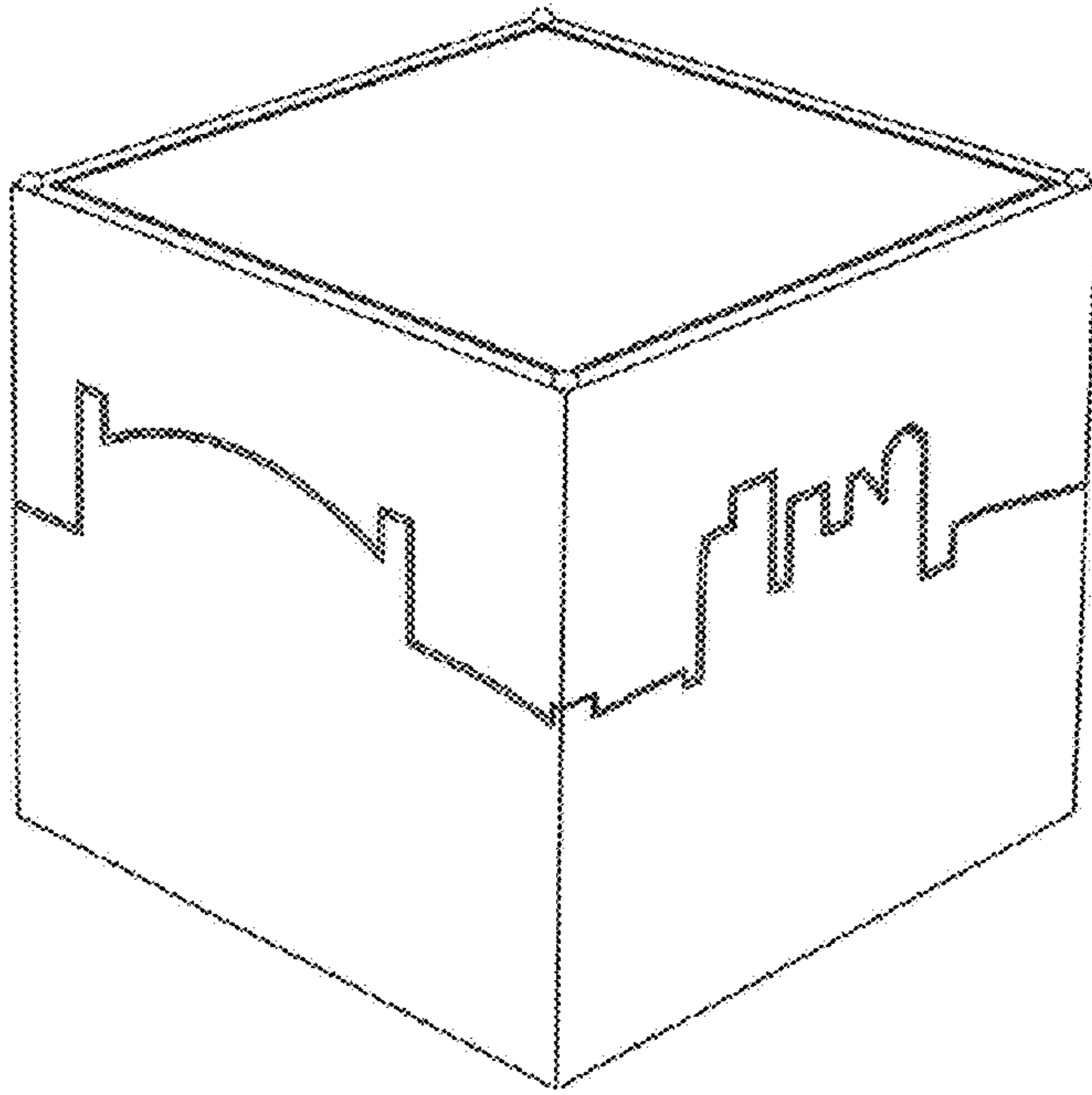


Fig. 1

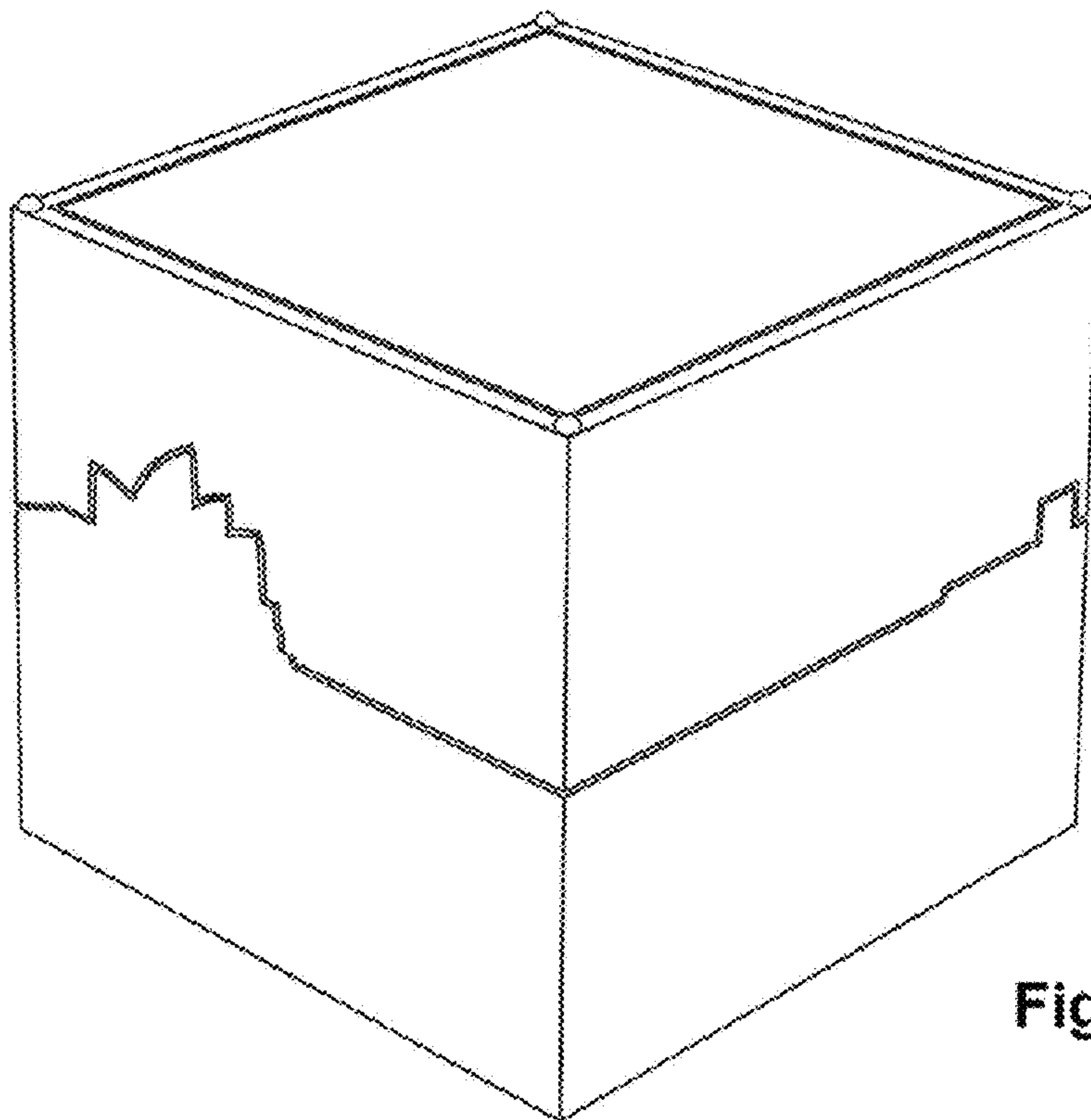


Fig. 2

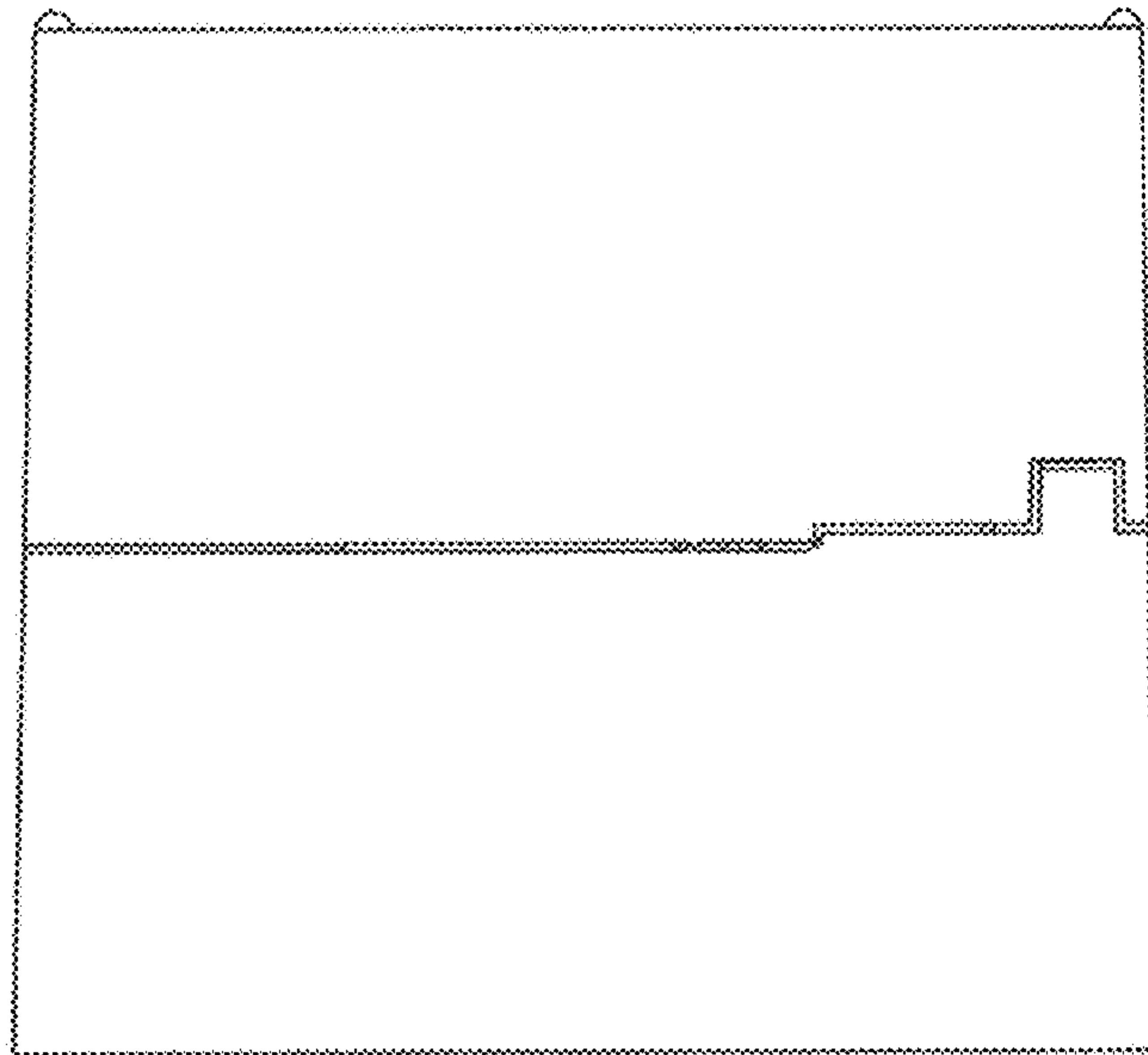


Fig. 3

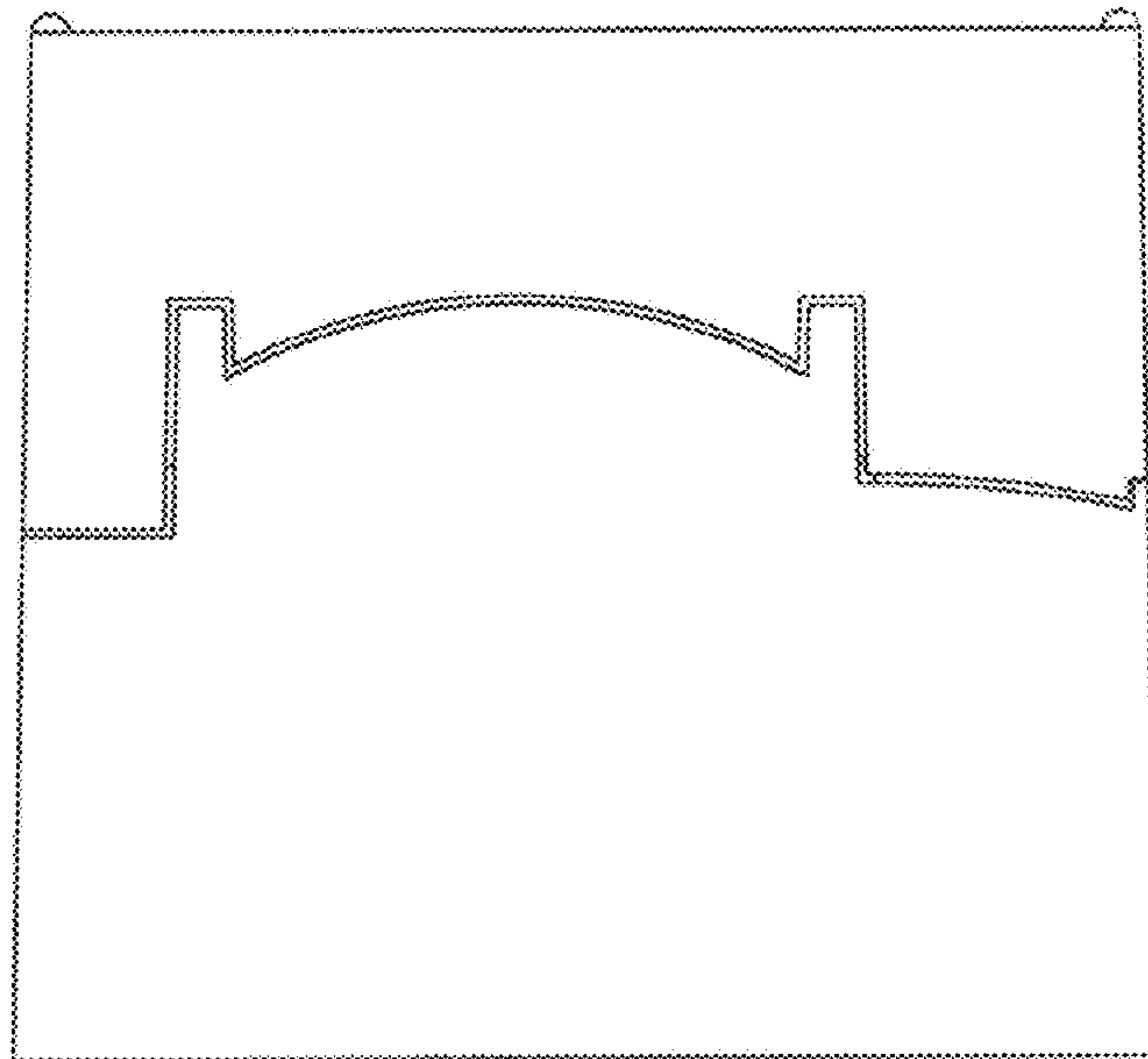


Fig. 4

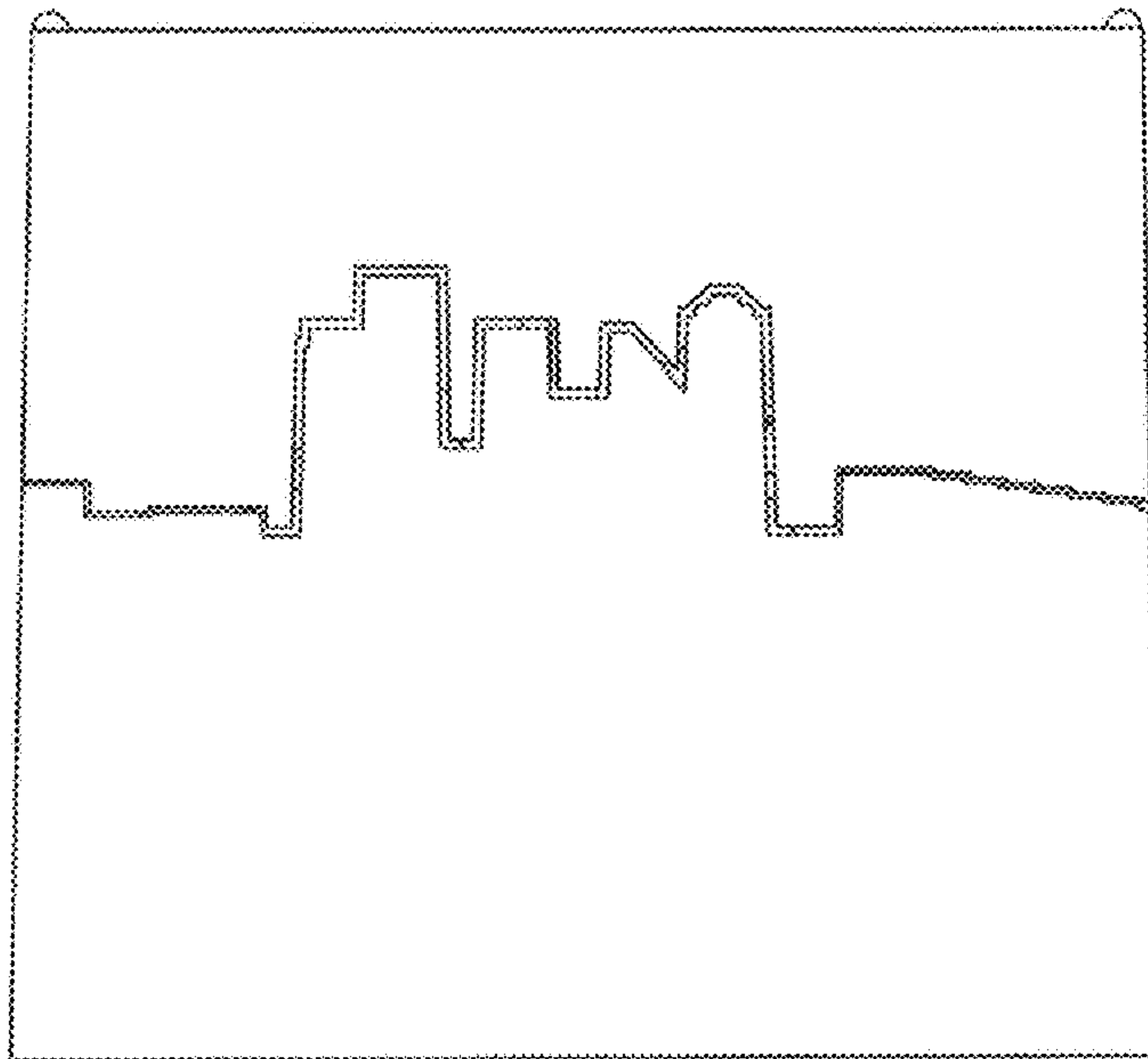


Fig. 5

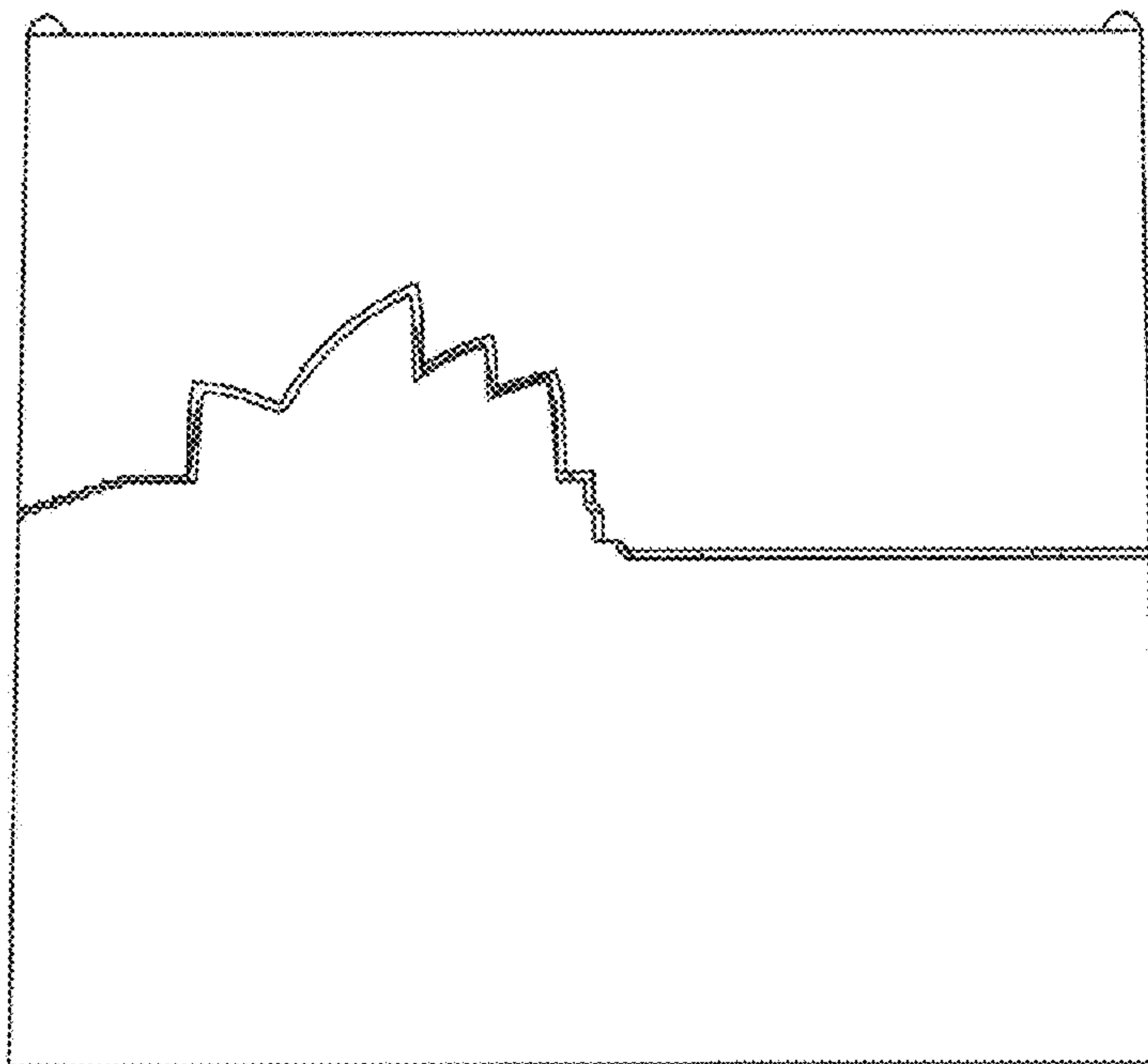


Fig. 6

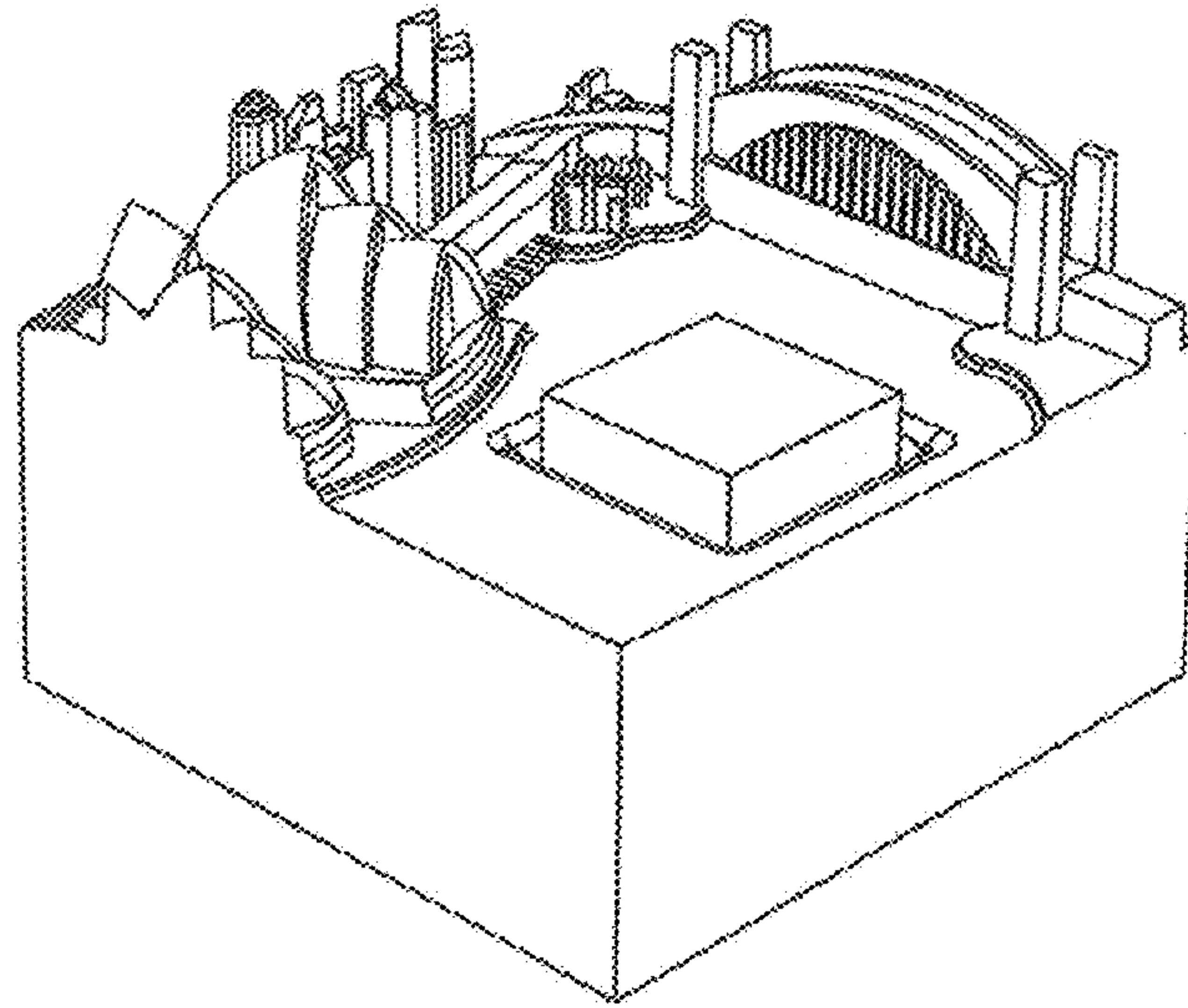


Fig. 7

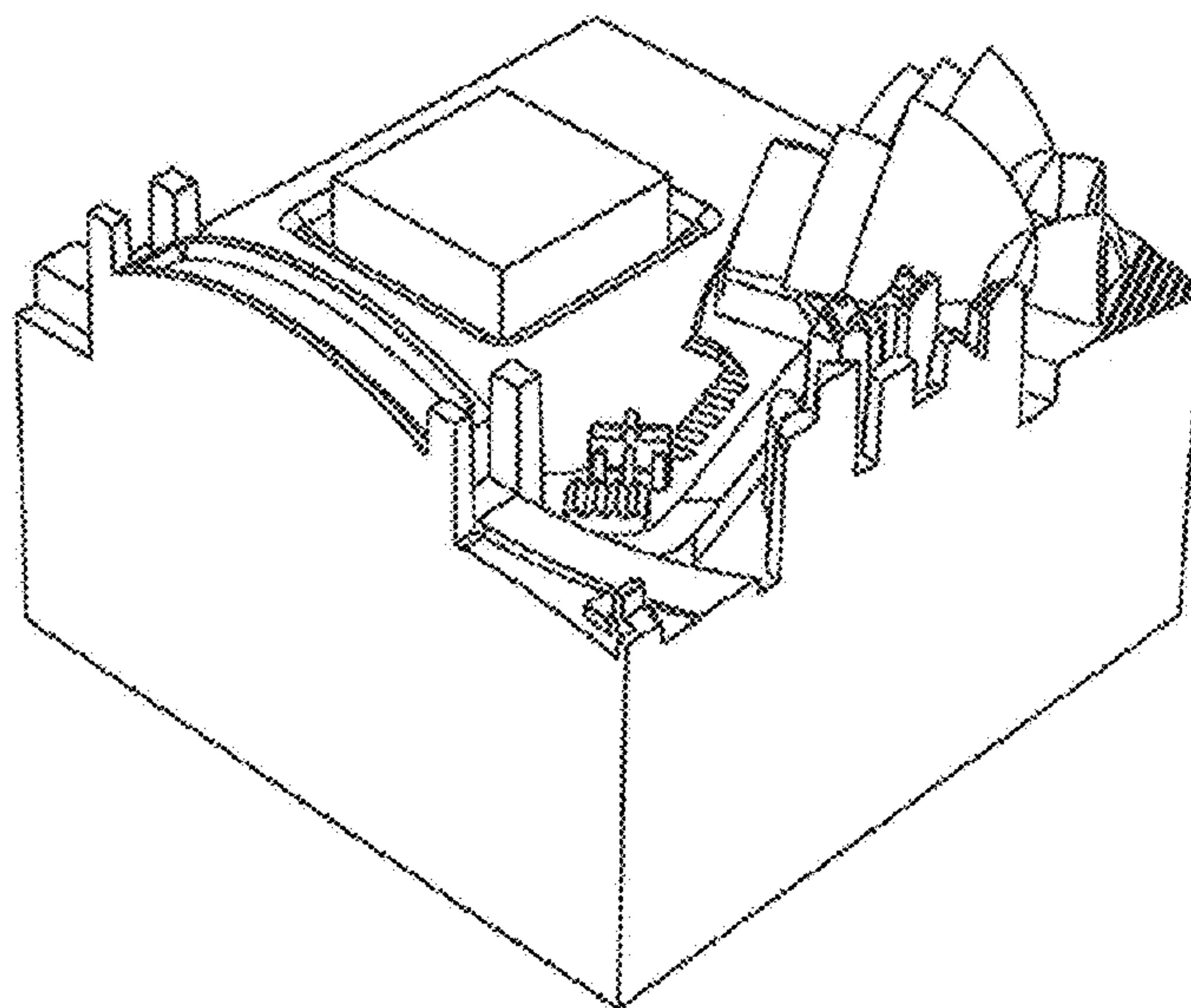


Fig. 8

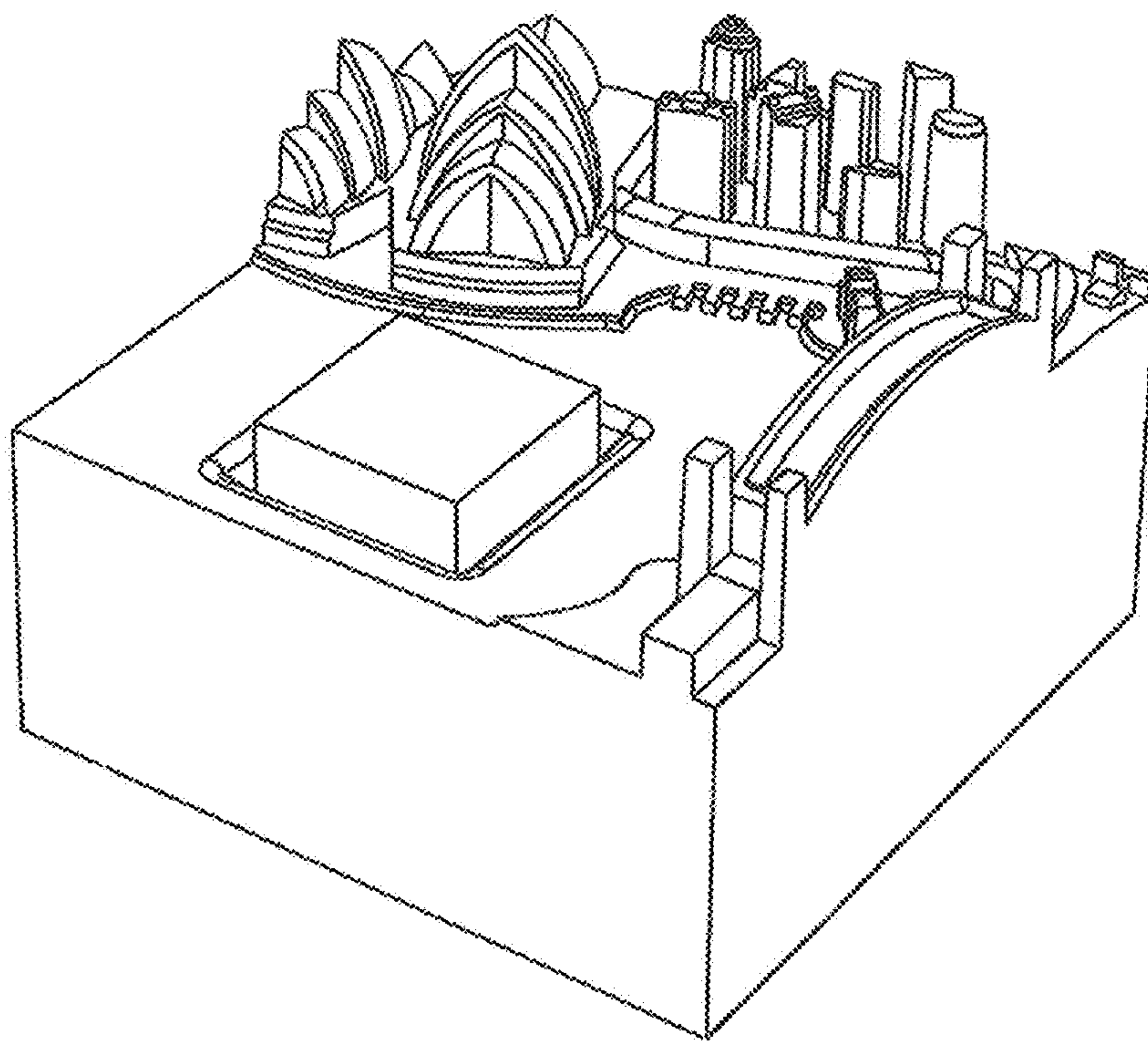


Fig. 9

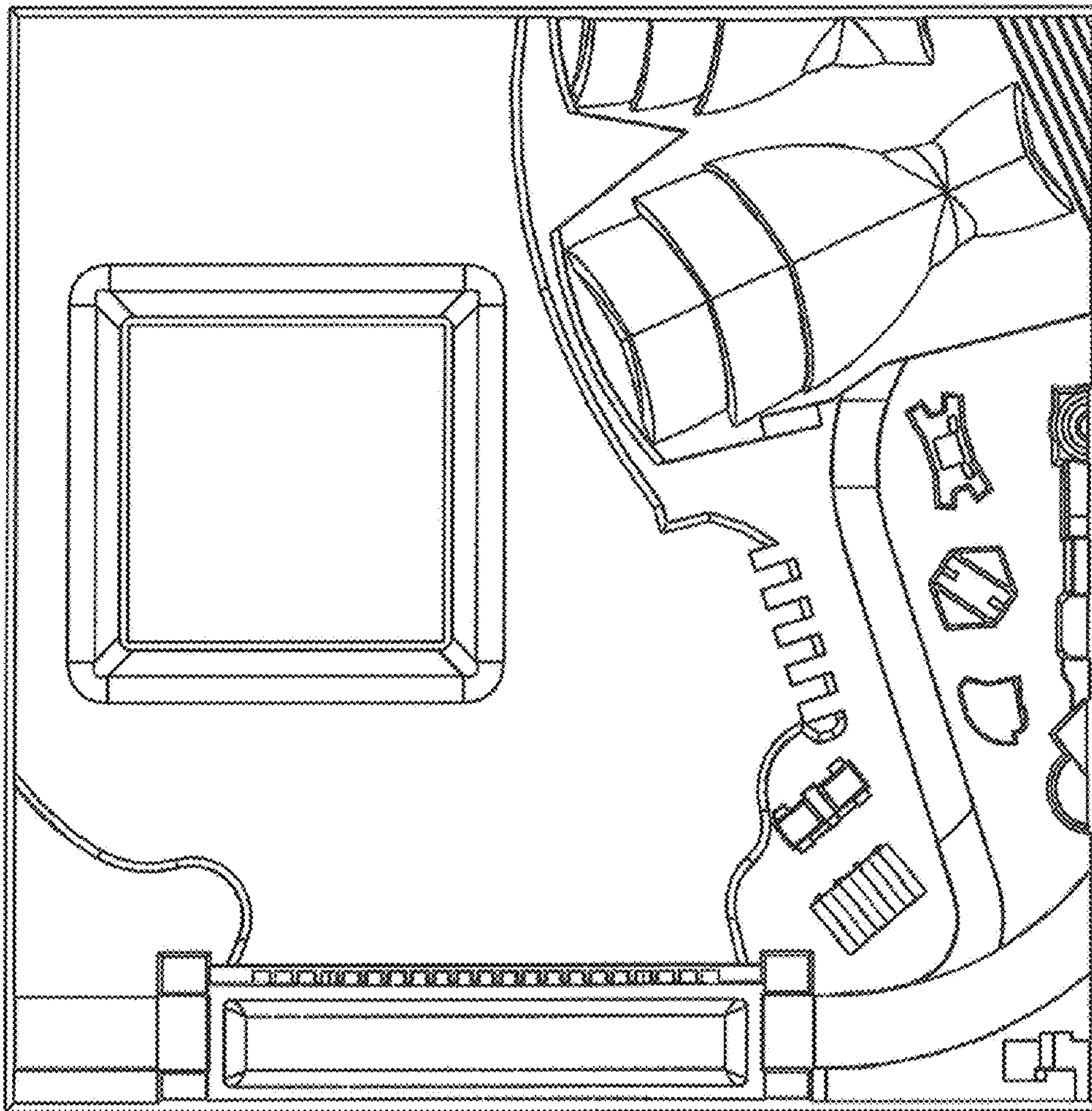


Fig. 10

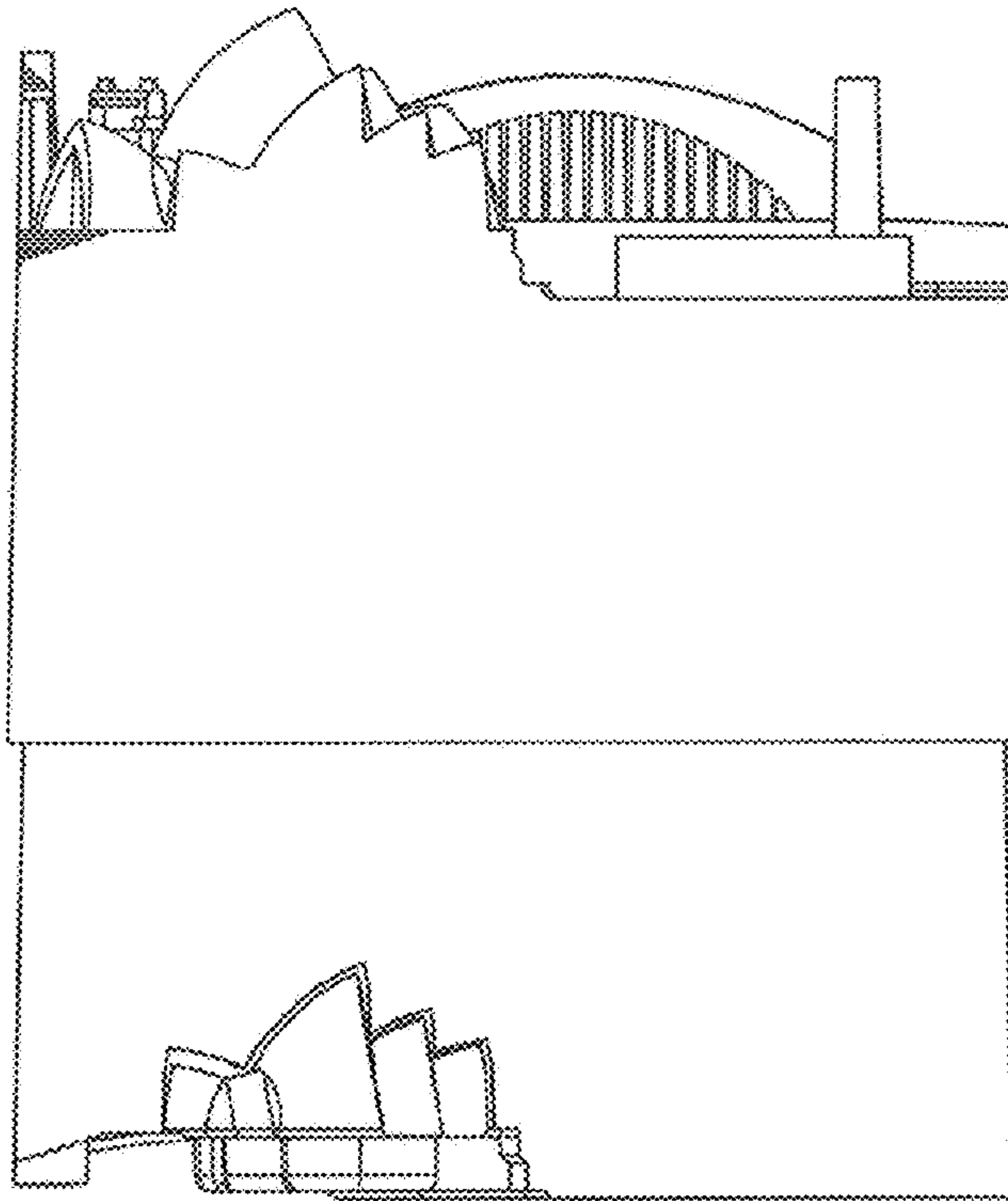


Fig. 11

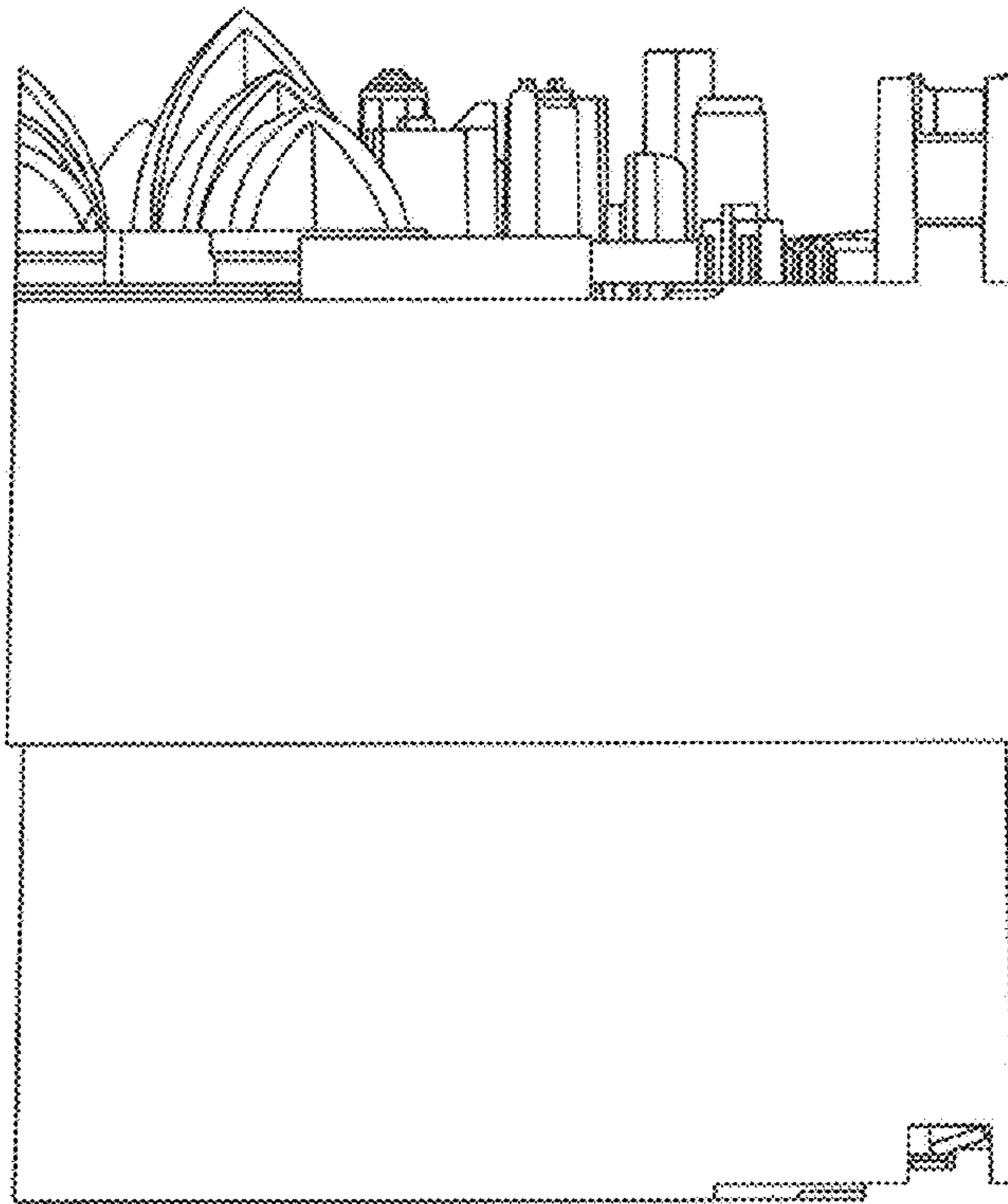


Fig. 12

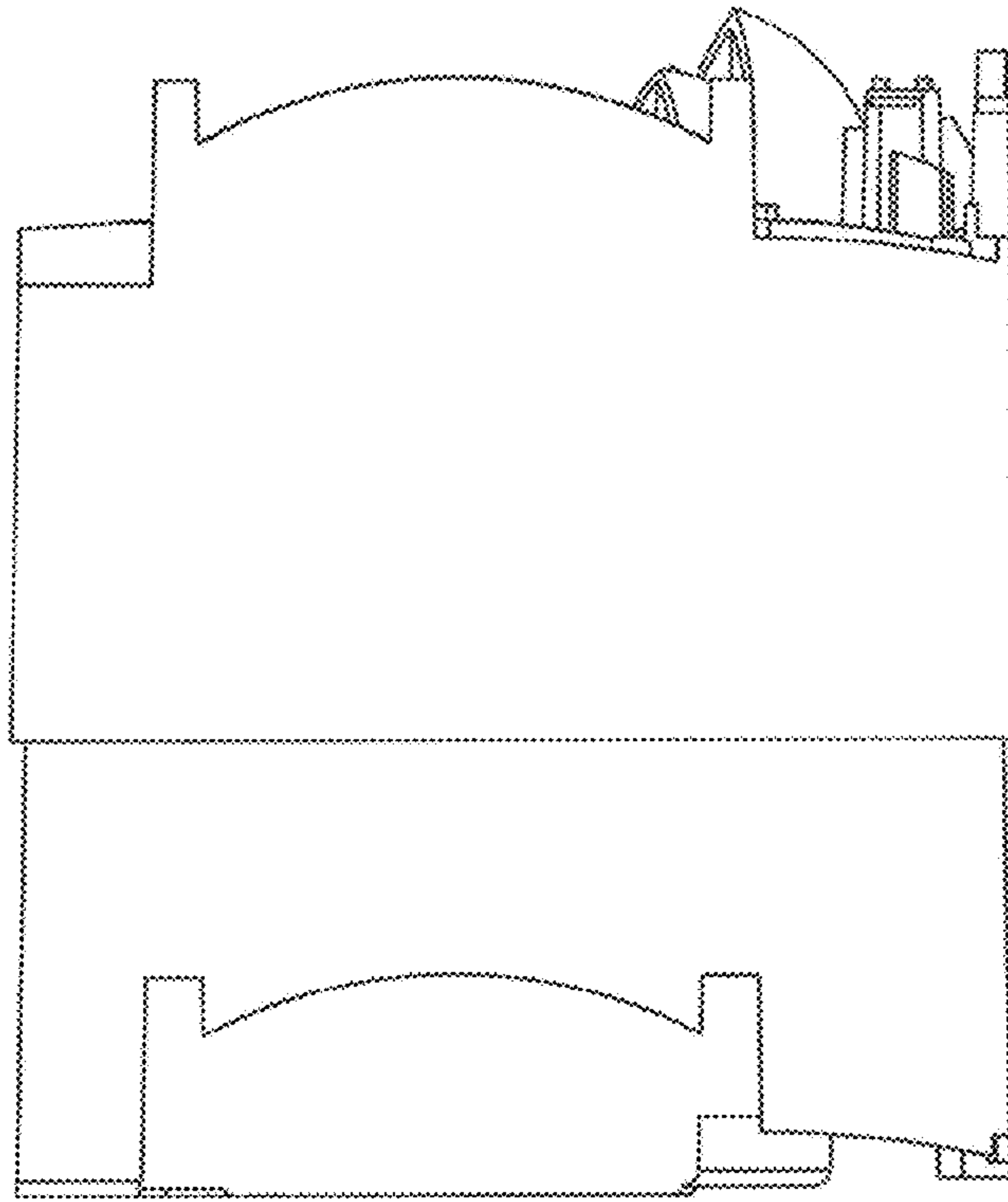


Fig. 13

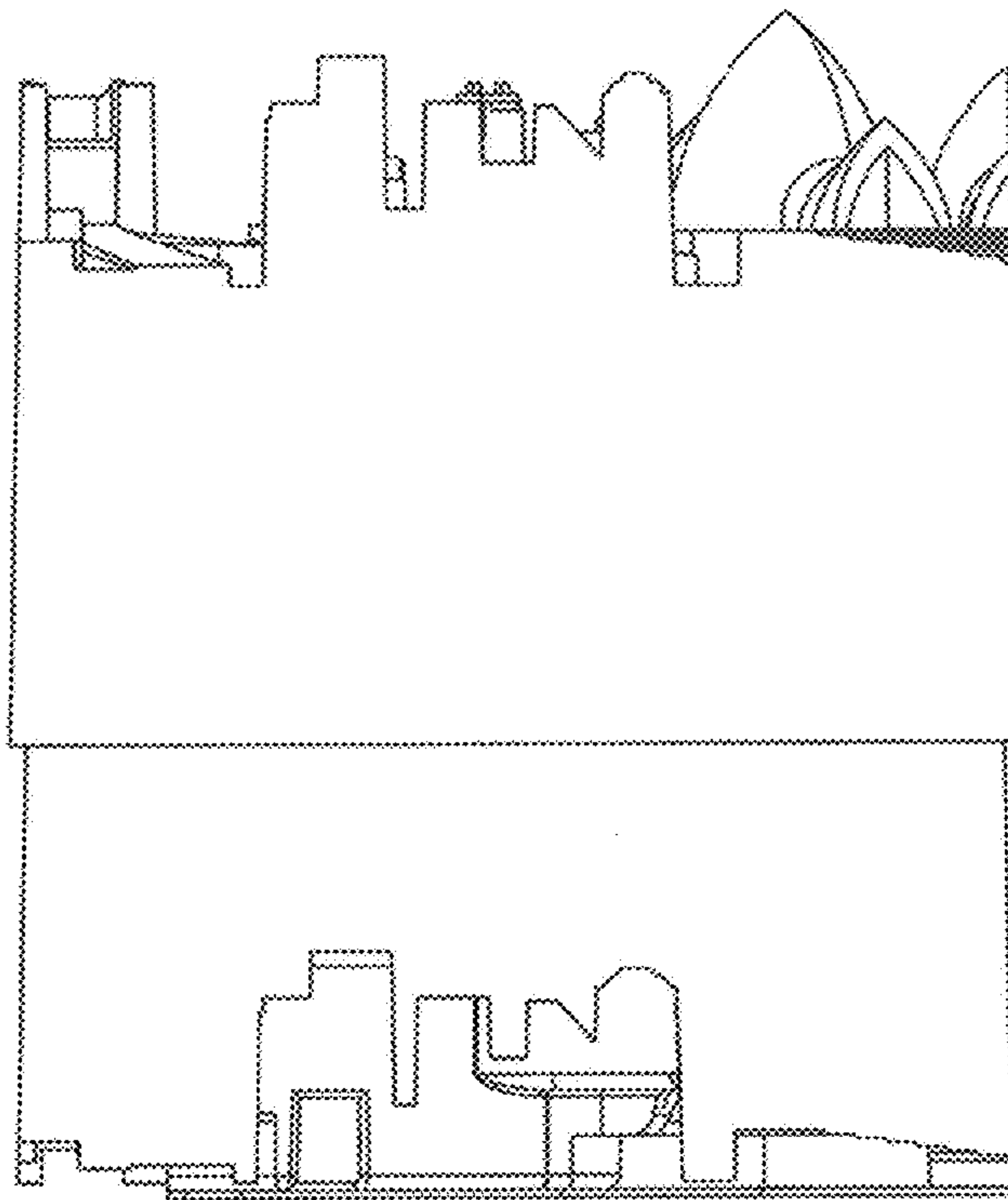


Fig. 14