



US00D715679S

(12) **United States Design Patent**  
**Ochoa**

(10) **Patent No.:** **US D715,679 S**  
(45) **Date of Patent:** **\*\* Oct. 21, 2014**

(54) **LOCKET WITH REMOVABLE SCREEN**

(71) Applicant: **Tamara Bianco Ochoa**, Scottsdale, AZ (US)

(72) Inventor: **Tamara Bianco Ochoa**, Scottsdale, AZ (US)

(73) Assignee: **South Hill Designs Corp.**, Scottsdale, AZ (US)

(\*\*) Term: **14 Years**

(21) Appl. No.: **29/477,991**

(22) Filed: **Dec. 30, 2013**

(51) **LOC (10) Cl.** ..... **11-01**

(52) **U.S. Cl.**  
USPC ..... **D11/80; D11/84**

(58) **Field of Classification Search**  
USPC ..... D11/79-86, 91, 92, 40-43, 1, 2, 7, 8,  
D11/33, 44, 63, 67, 66, 99, 106, 139;  
63/1.11, 1.14, 1.15, 18-20, 26-28,  
63/DIG. 2, 12, 13

See application file for complete search history.

(56) **References Cited**

**U.S. PATENT DOCUMENTS**

|           |   |   |         |               |       |         |
|-----------|---|---|---------|---------------|-------|---------|
| D38,475   | S | * | 3/1907  | Arnold        | ..... | D11/84  |
| D38,476   | S | * | 3/1907  | Arnold        | ..... | D11/79  |
| D97,535   | S | * | 11/1935 | Mossman, Jr.  | ..... | D11/80  |
| 2,548,808 | A | * | 4/1951  | Nichols       | ..... | D11/80  |
| 3,589,322 | A | * | 6/1971  | Hirokawa      | ..... | D11/67  |
| D264,452  | S | * | 5/1982  | Crawford      | ..... | D11/139 |
| D274,712  | S | * | 7/1984  | Sun           | ..... | D11/135 |
| D482,496  | S | * | 11/2003 | Jackel-Marken | ..... | D28/81  |
| D549,612  | S | * | 8/2007  | Kothari       | ..... | D11/91  |
| D556,083  | S | * | 11/2007 | Kothari       | ..... | D11/91  |
| D640,950  | S | * | 7/2011  | Zuiderveld    | ..... | D11/84  |

**OTHER PUBLICATIONS**

[Online] Elegance Locket. <https://www.southhilldesigns.com/us/nonreferral/ProductDetail.aspx?item=PD-LK-1001-EL&wid=1&wcid=63&val=PreDesigne>. Retrieved Jun. 9, 2014.\*

[Online] Large Gold Living Locket with Crystals. <http://www.origamiowl.com/PWPSHOWProduct.ashx?ProgramProductId=903&ProgramCategoryId=5>. Retrieved Jun. 9, 2014.\*

[Online] Amazing Locket Pendants Necklace Flower Pattern Design. <http://www.aliexpress.com/item/Amazing-Locket-Pendants-Necklace-Flower-Pattern-Design-Clear-Pink-Rhinestone-Fits-Coin-Disc-Setting-75cm-1Piece/1715398682.html>. Retrieved Jun. 9, 2014.\*

\* cited by examiner

*Primary Examiner* — Garth Rademaker

*Assistant Examiner* — Melanie Pellegrini

(74) *Attorney, Agent, or Firm* — Weiss & Moy, P.C.;  
Veronica-Adele R. Cao

(57) **CLAIM**

The ornamental design for a locket with removable screen, as shown and described.

**DESCRIPTION**

FIG. 1 is a perspective view of a locket with removable screen showing my new design;

FIG. 2 is a left side view thereof;

FIG. 3 is a right side view thereof;

FIG. 4 is a top view thereof;

FIG. 5 is a bottom view thereof;

FIG. 6 is a front view thereof; and,

FIG. 7 is a rear view thereof.

The broken lines shown in the drawings illustrate a chain which is environmental matter and pave gemstones which are portions of the locket with removable screen. None of the elements shown in broken lines form any part of the claimed design.

**1 Claim, 3 Drawing Sheets**





FIG. 1

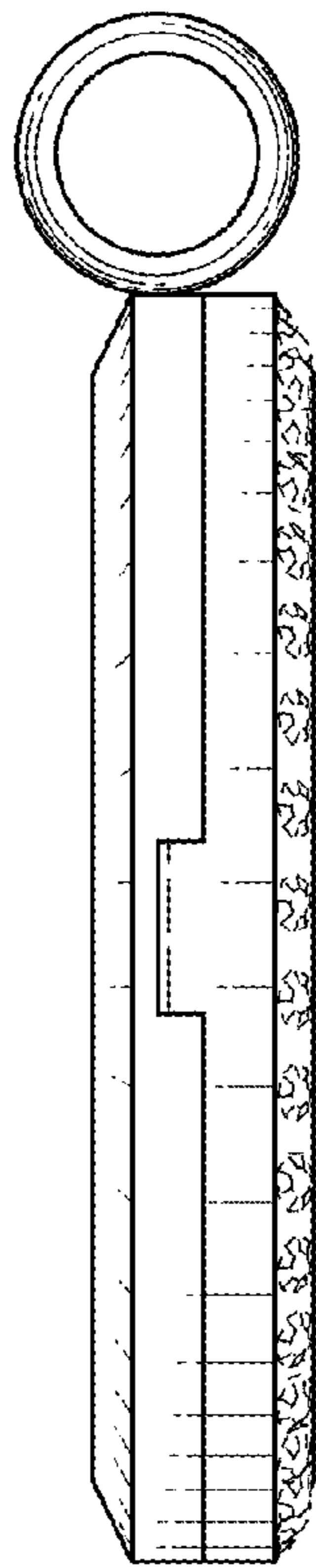


FIG. 2

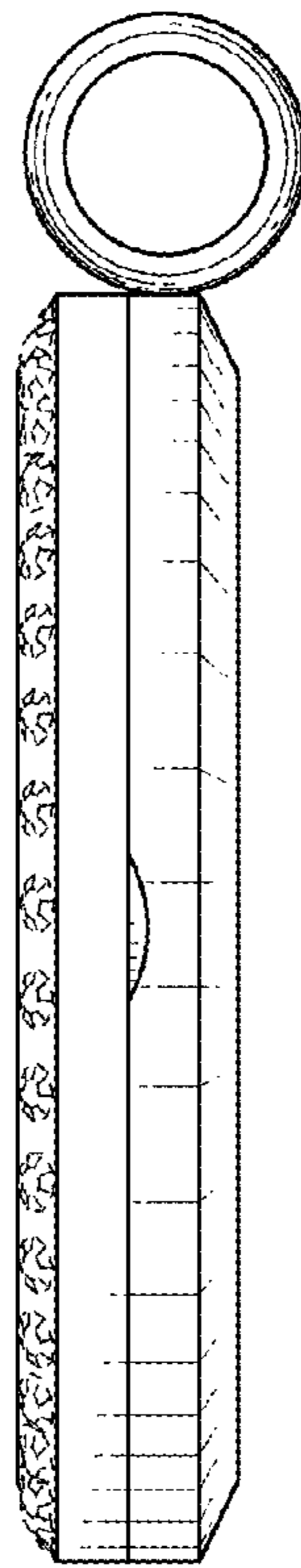


FIG. 3

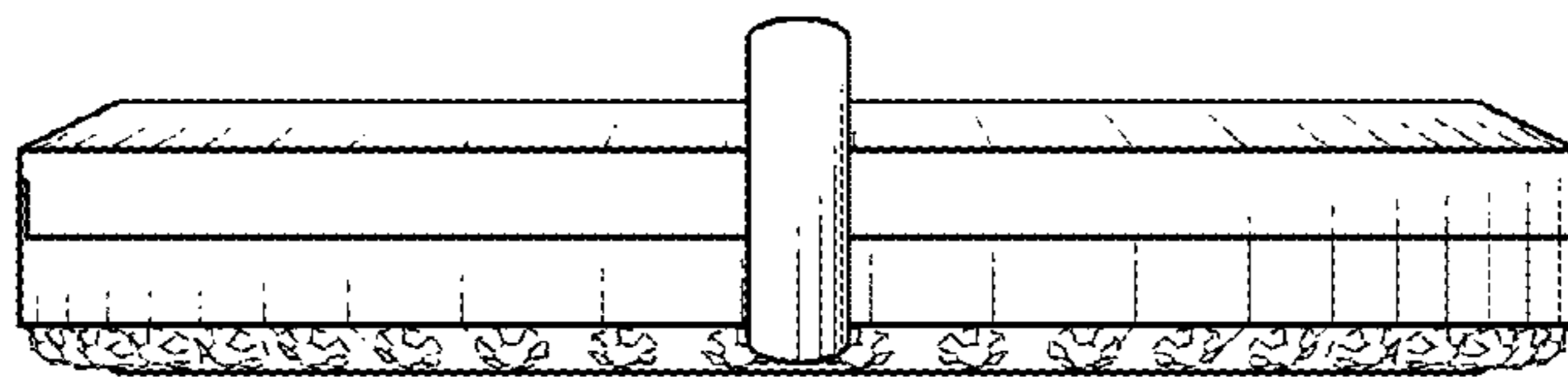


FIG. 4

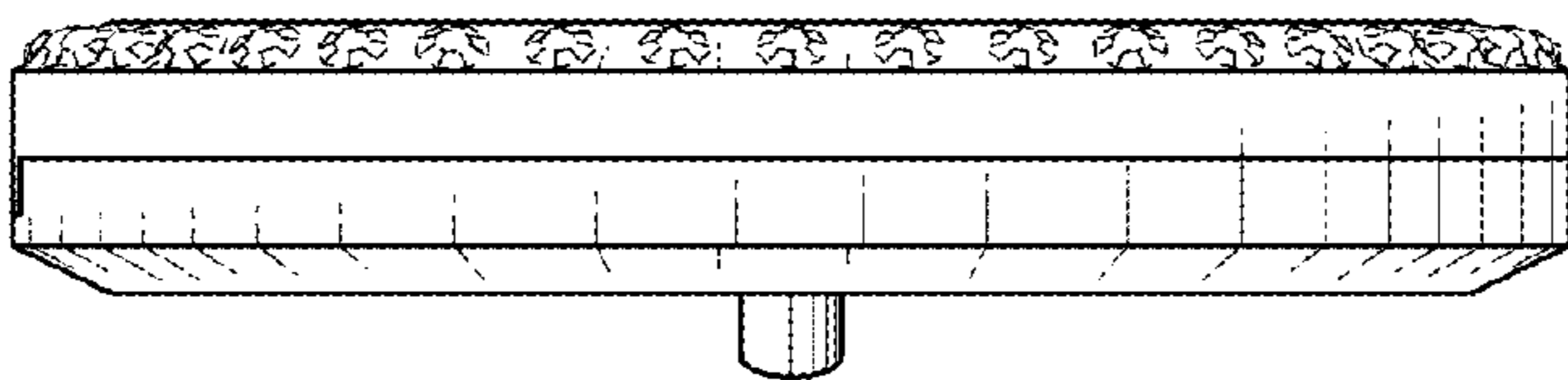


FIG. 5

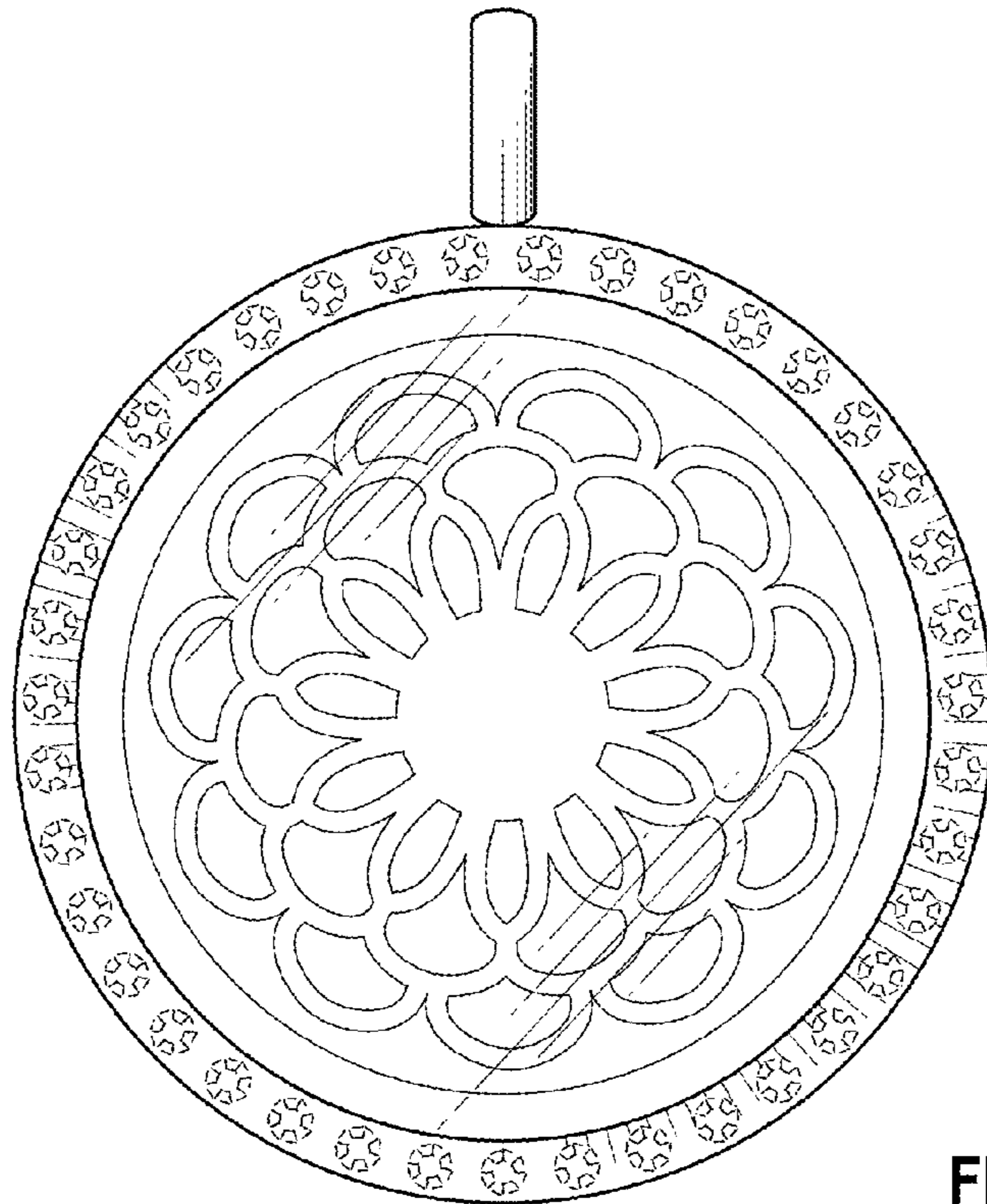


FIG. 6

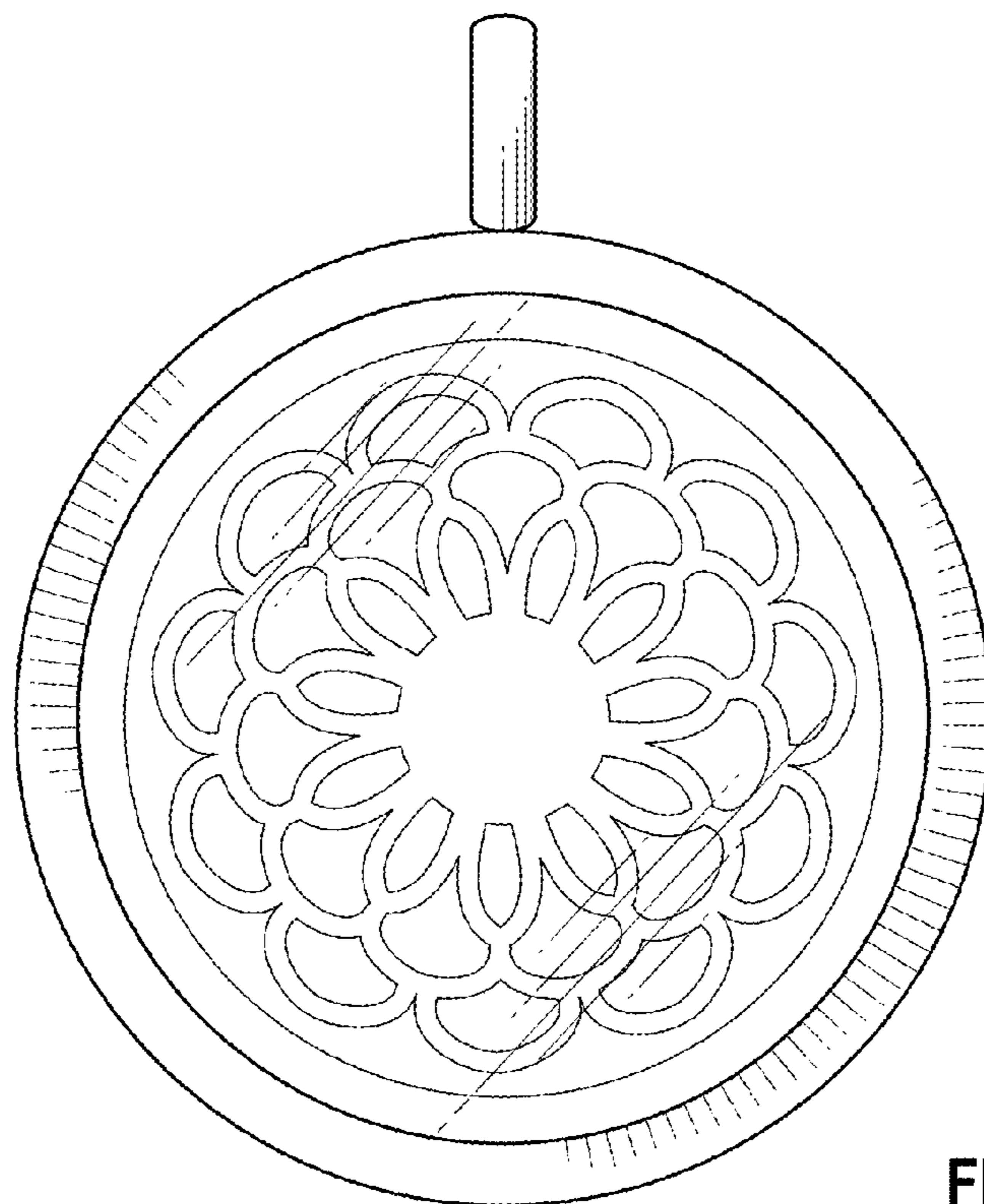


FIG. 7