



US00D715678S

(12) **United States Design Patent**
Ochoa

(10) **Patent No.:** **US D715,678 S**
(45) **Date of Patent:** **** Oct. 21, 2014**

- (54) **LOCKET FOR A BRACELET**
- (71) Applicant: **Tamara Bianco Ochoa**, Scottsdale, AZ (US)
- (72) Inventor: **Tamara Bianco Ochoa**, Scottsdale, AZ (US)
- (73) Assignee: **South Hill Designs Corp.**, Scottsdale, AZ (US)
- (**) Term: **14 Years**
- (21) Appl. No.: **29/469,367**
- (22) Filed: **Oct. 9, 2013**
- (51) **LOC (10) Cl.** **11-01**
- (52) **U.S. Cl.**
USPC **D11/80**
- (58) **Field of Classification Search**
USPC D11/1-39, 76-85; D10/30-33, 38, 39, D10/109.1, 109.2, 128; D24/167, 186, 206; D30/152; D7/633; D3/203.1, 203.2, D3/201, 215, 226; D2/894; 63/1.11, 3, 3.1, 63/3.2, 4, 5.1, 5.2, 7, 15, 15.1-15.4, 15.45, 63/15.5, 15.65, 15.7, 21; 368/281, 282; 2/16, 22, 59, 125, 126; 224/219
See application file for complete search history.

- D449,733 S * 10/2001 Jacober et al. D3/203.2
- D469,377 S * 1/2003 Lee D11/87
- D474,697 S * 5/2003 Fu et al. D10/30

OTHER PUBLICATIONS

South Hill Designs homepage, online. Site visited Apr. 15, 2014. Internet URL: <"https://www.southhilldesigns.com/nonreferral/ProductList.aspx?viewAll=true">.*
 MyHeartFeltLocket homepage, online. Site visited Apr. 16, 2014. Internet URL: <"http://www.myheartfeltlockets.com">.*
 South Hill Designs Jewelry Board by Connie Clair, Pinterest.com, online. Site visited Apr. 16, 2014. Internet URL: <"https://www.pinterest.com/pin/33636328440674735/">.*
 SilverLocket Bracelet, GetaCharm.com, online. Site visited Apr. 16, 2014. Internet URL: <"http://getacharm.com/products/silver-locket-bracelet">.*

* cited by examiner

Primary Examiner — Cathron Brooks
Assistant Examiner — Llorellys Martinez-Rivera
 (74) *Attorney, Agent, or Firm* — Weiss & Moy, P.C.;
 Veronica-Adele R. Cao

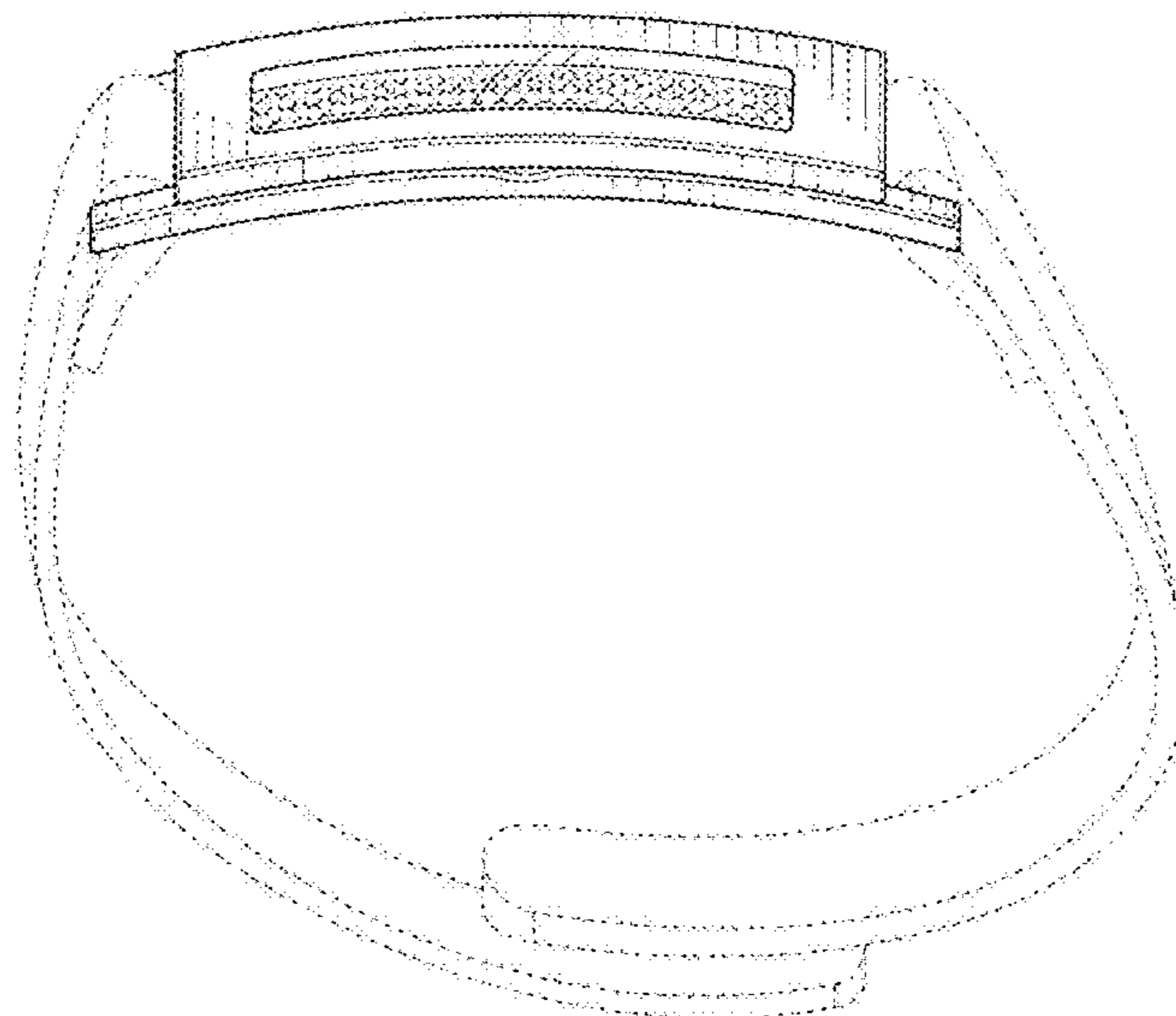
(57) **CLAIM**
 The ornamental design for a locket for a bracelet, as shown and described.

DESCRIPTION

FIG. 1 is a top perspective view of a locket for a bracelet showing my new design;
 FIG. 2 is a front view thereof;
 FIG. 3 is a rear view thereof;
 FIG. 4 is a left side view thereof;
 FIG. 5 is a right side view thereof;
 FIG. 6 is a top view thereof; and,
 FIG. 7 is a bottom view thereof.
 The broken line portions in the drawings describe environmental subject matter only and form no part of the claimed design.

1 Claim, 3 Drawing Sheets

- (56) **References Cited**
 U.S. PATENT DOCUMENTS
 D97,096 S * 10/1935 Sager D11/34
 D101,038 S * 9/1936 Herbst D10/38
 2,255,999 A * 9/1941 Kuehner 224/219
 2,871,592 A * 2/1959 Polzin D11/3
 D247,482 S * 3/1978 Schupp D11/4
 D266,994 S * 11/1982 Schwab et al. D10/39
 D362,809 S * 10/1995 Sigmund D10/38
 D419,079 S * 1/2000 Rodkey D10/31



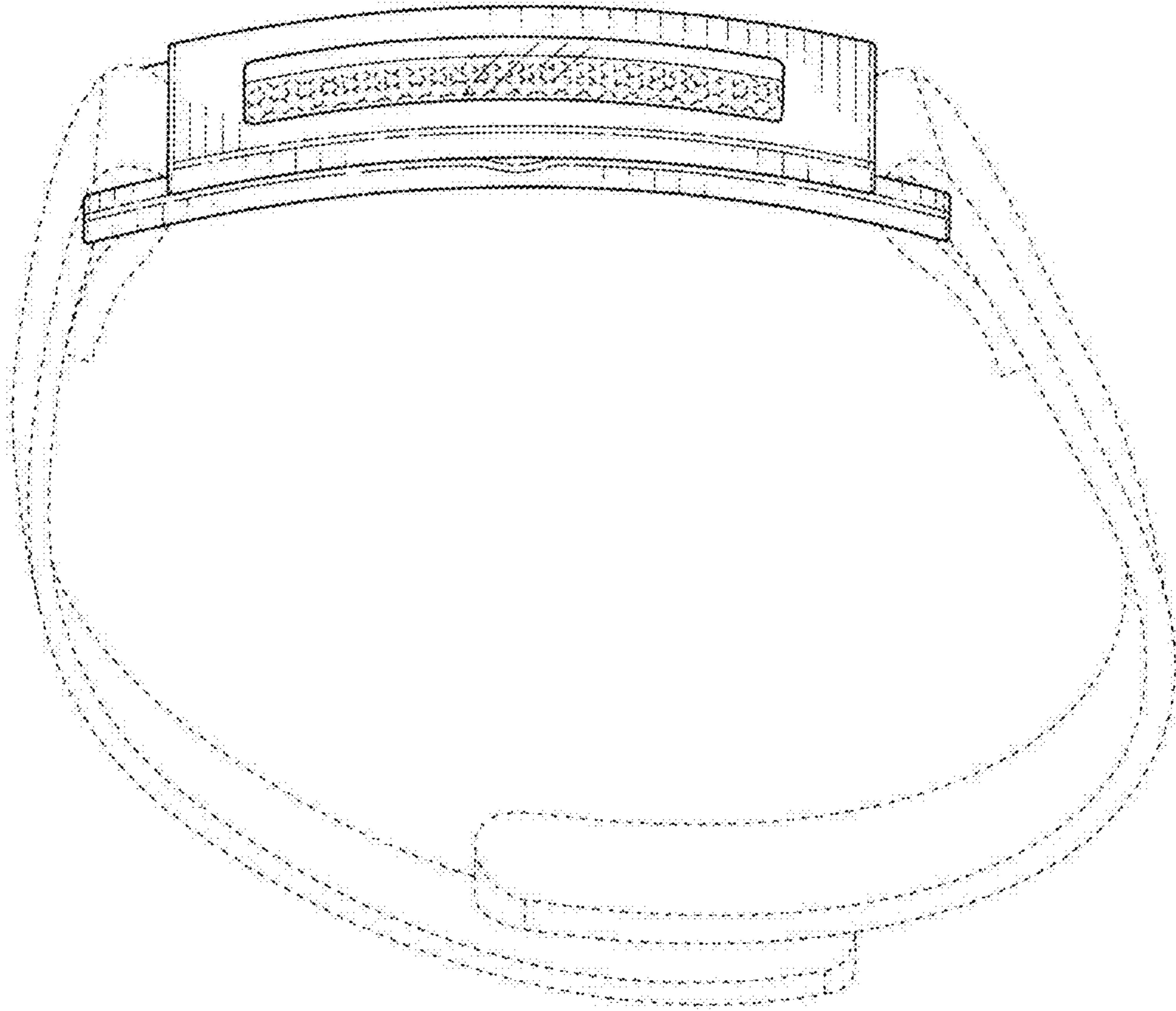


FIG. 1

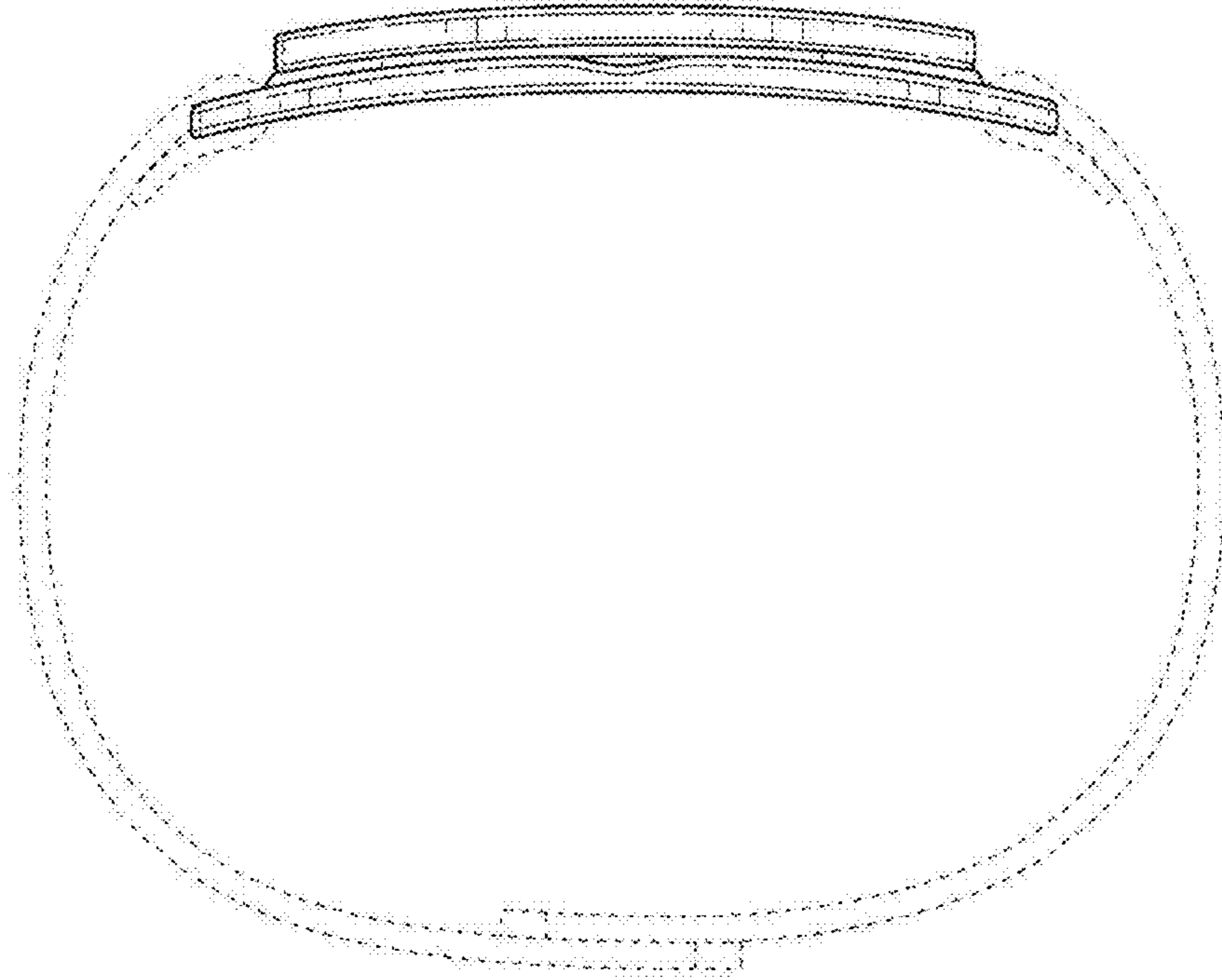


FIG. 2

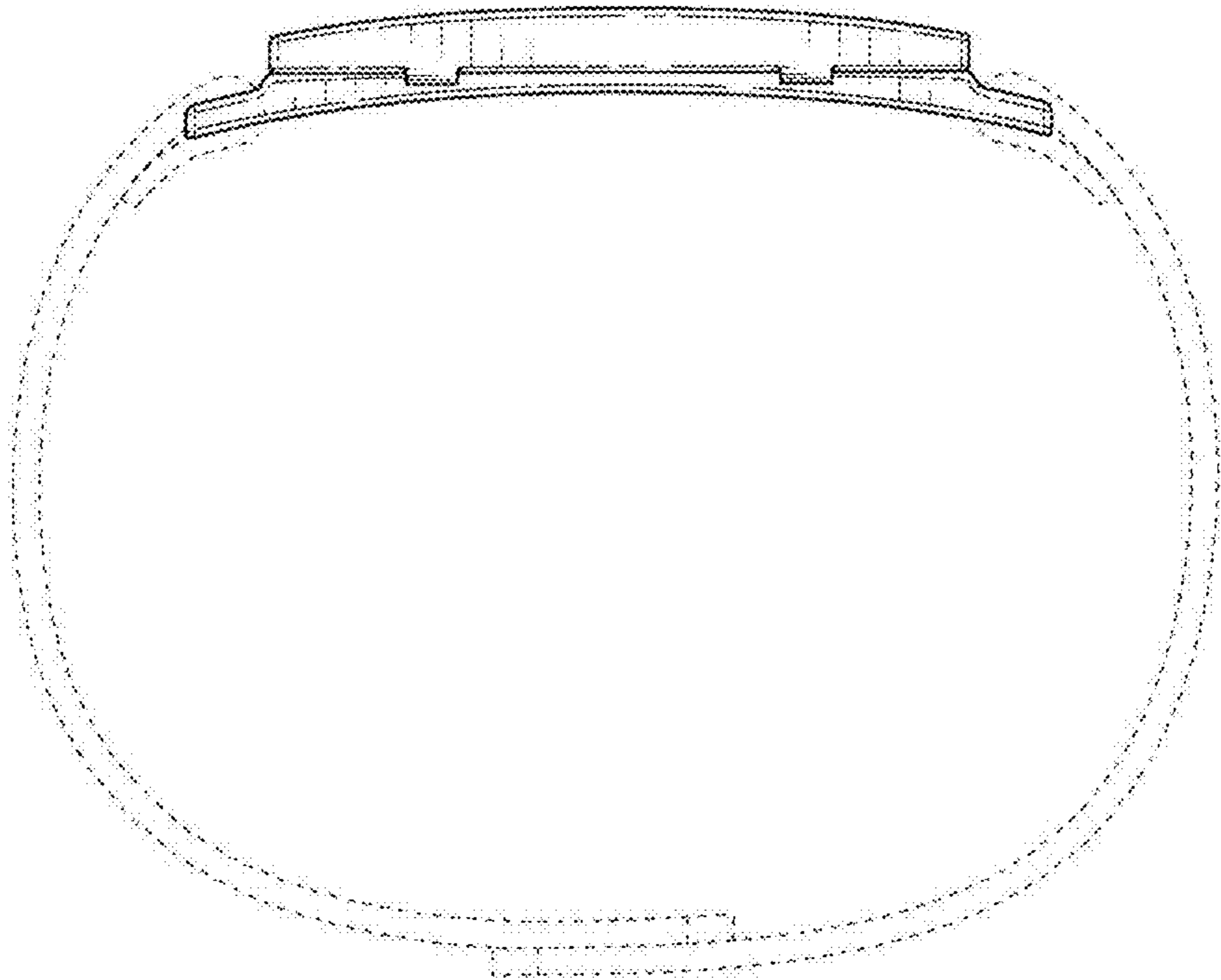


FIG. 3

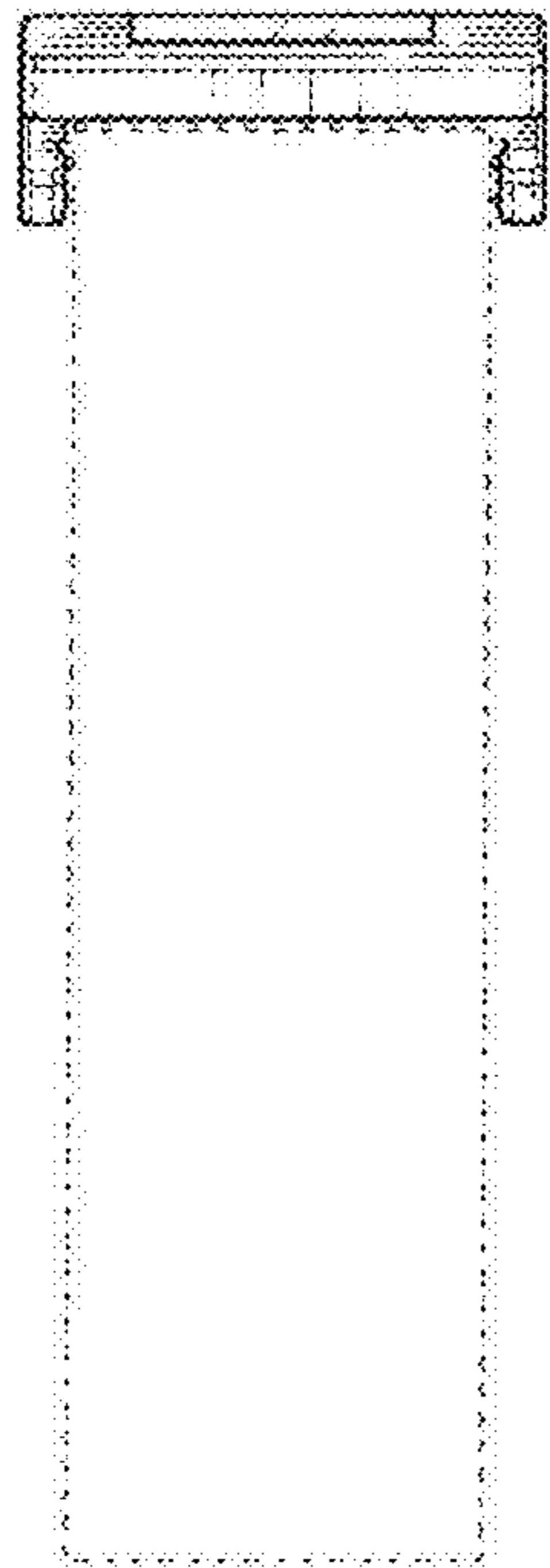


FIG. 4

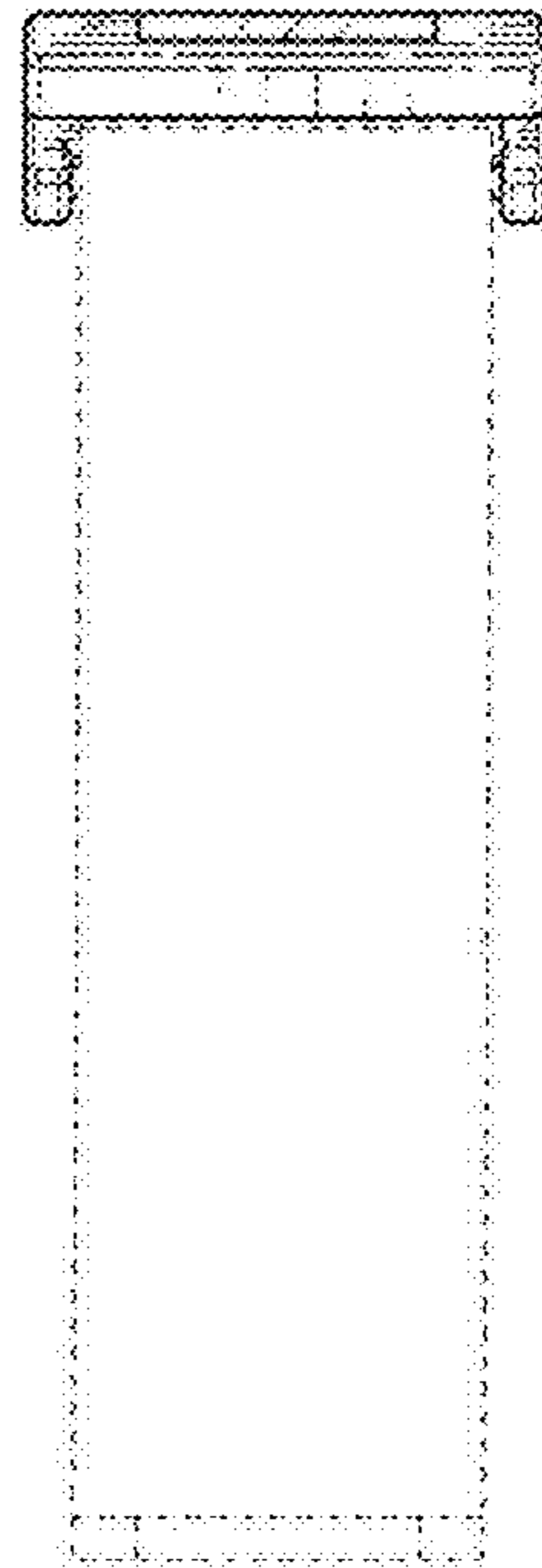


FIG. 5

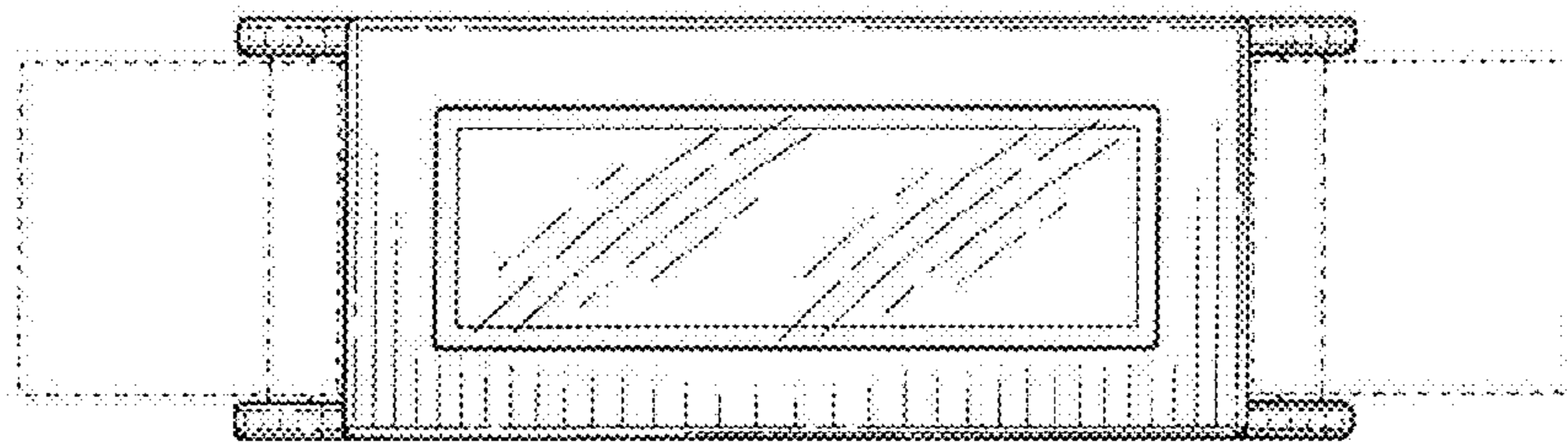


FIG. 6

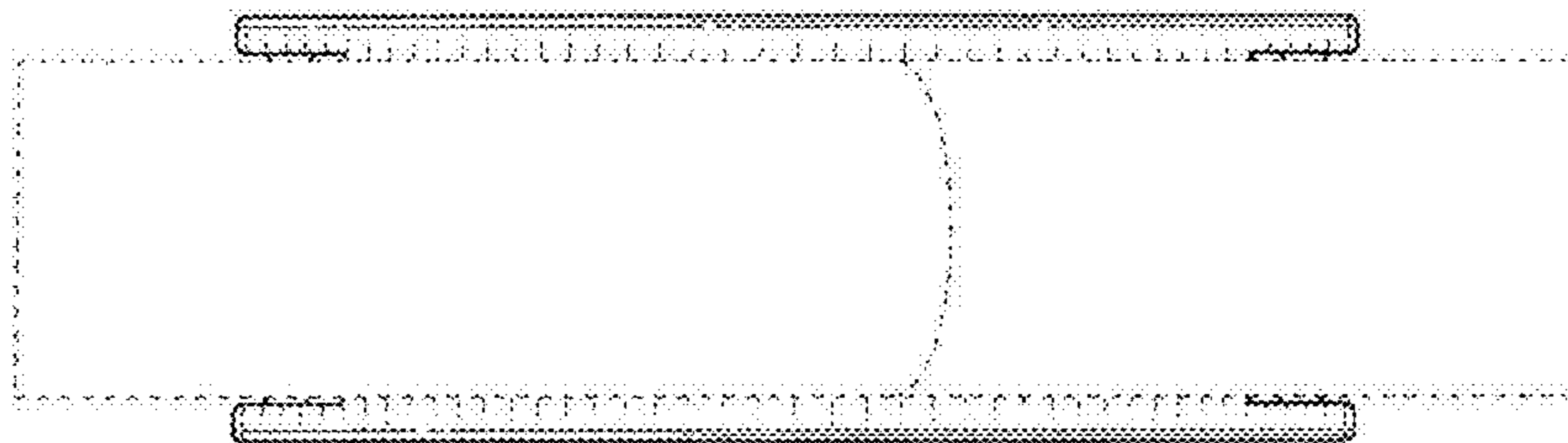


FIG. 7