



US00D715677S

(12) **United States Design Patent**
Lavigne et al.

(10) **Patent No.:** **US D715,677 S**
(45) **Date of Patent:** **** Oct. 21, 2014**

(54) **PENDANT**

FOREIGN PATENT DOCUMENTS

(71) Applicant: **River Light V, L.P.**, New York, NY (US)

CN 300919968 5/2009
CN 301253173 6/2010

(72) Inventors: **Chad Lavigne**, New York, NY (US);
Tory Burch, New York, NY (US)

(Continued)

(73) Assignee: **River Light V, LP**, New York, NY (US)

OTHER PUBLICATIONS

(**) Term: **14 Years**

[Online] Solid Perfume Pendant Necklace. http://www.toryburch.com/solid-perfume-pendant-necklace/56NE01.html?start=65&cgid=accessories-jewelry&dwvar_56NE01_color=000. Retrieved Jun. 6, 2014.*

(21) Appl. No.: **29/471,280**

(Continued)

(22) Filed: **Oct. 30, 2013**

(51) **LOC (10) Cl.** **11-01**

Primary Examiner — Garth Rademaker

(52) **U.S. Cl.**

Assistant Examiner — Melanie Pellegrini

USPC **D11/79**

(58) **Field of Classification Search**

(74) *Attorney, Agent, or Firm* — Kilpatrick Townsend & Stockton LLP

USPC D11/79-86, 91, 92, 40-43, 1, 2, 7, 8, 9;
63/1.11, 1.14, 1.15, 18-20, 26-28,
63/DIG. 2

See application file for complete search history.

(57) **CLAIM**

The ornamental design for a pendant, as shown and described.

(56)

References Cited

DESCRIPTION

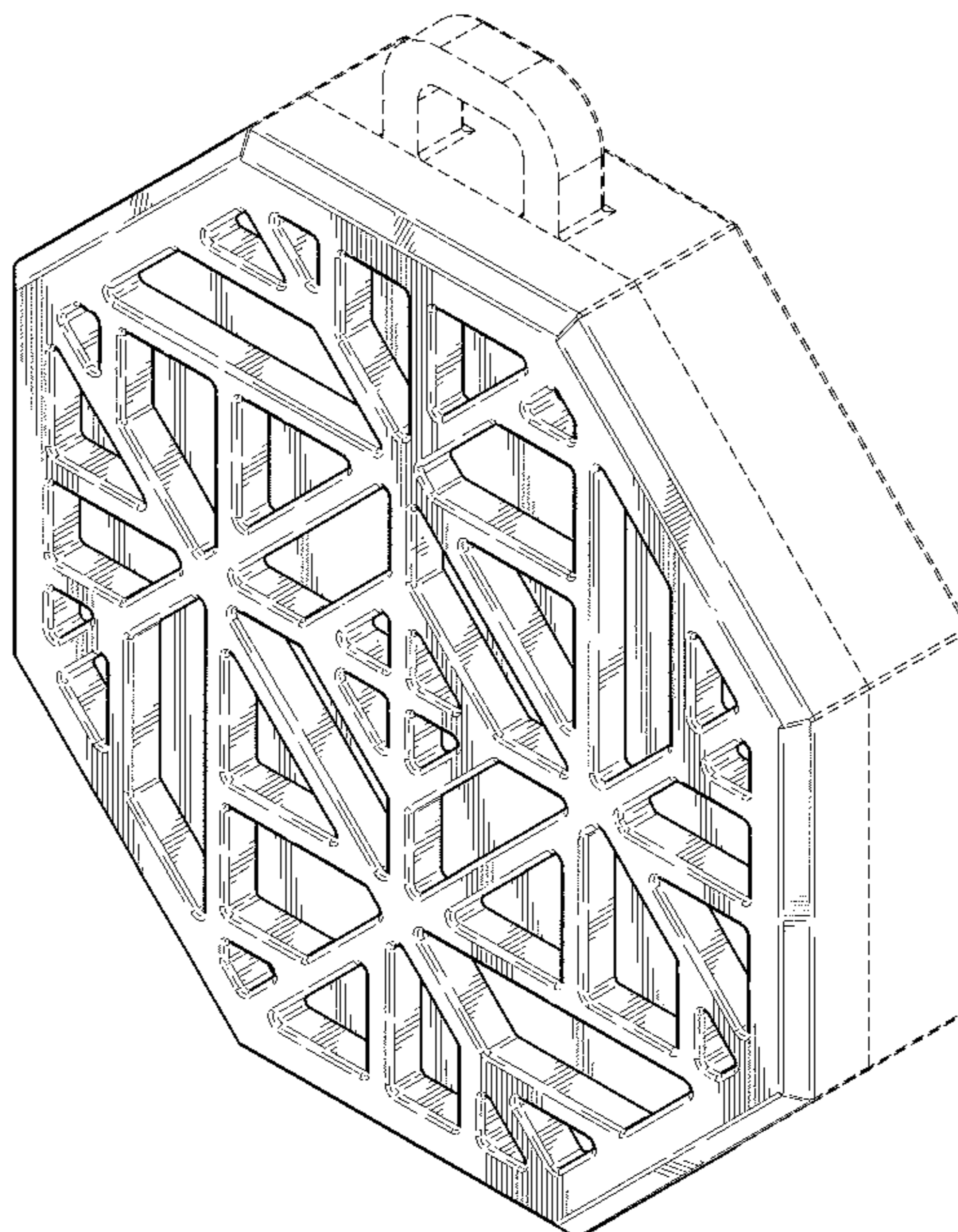
U.S. PATENT DOCUMENTS

D65,193	S *	7/1924	Leveridge	D11/90
D66,529	S	2/1925	Denney		
1,683,545	A *	9/1928	Harris	63/1.15
1,861,644	A *	6/1932	Roberts	63/1.13
D150,501	S	8/1948	Katz		
D157,581	S *	3/1950	Frank	D11/81
D229,850	S	1/1974	Loertz		
4,419,395	A	12/1983	Sugimoto		
4,581,904	A *	4/1986	Lehmann et al.	63/23
D308,951	S	7/1990	Rinck		
D312,429	S	11/1990	Rinck		
D386,443	S *	11/1997	Itzkowitz	D11/91

(Continued)

FIG. 1 is a perspective view of a pendant.
FIG. 2 is a front view of the pendant of FIG. 1.
FIG. 3 is a right side view of the pendant of FIG. 1, the left side view being a mirror image of the right side view.
FIG. 4 is a rear view of the pendant of FIG. 1.
FIG. 5 is a top view of the pendant of FIG. 1.
FIG. 6 is a bottom view of the pendant of FIG. 1; and,
FIG. 7 is another perspective view of the pendant of FIG. 1.
The broken lines shown in the drawings represent portions of the pendant which form no part of the claimed design.

1 Claim, 6 Drawing Sheets



(56)

References Cited

U.S. PATENT DOCUMENTS

D437,664 S 2/2001 Thorpe et al.
D438,346 S 2/2001 Thorpe et al.
D447,551 S 9/2001 A'Court
6,557,375 B1 5/2003 Simmons et al.
D488,088 S * 4/2004 Vartanian D11/91
D510,539 S * 10/2005 Turner D11/79
D515,967 S 2/2006 Emery et al.
D543,130 S 5/2007 Allin
D550,828 S 9/2007 Wu
D572,164 S 7/2008 Rosato
D675,307 S 1/2013 Freeborn et al.
D684,084 S 6/2013 Bulgari

FOREIGN PATENT DOCUMENTS

CN 301876700 4/2012
CN 302241373 12/2012
JP 08000350 A 1/1996
JP 2010124909 A 6/2010
KR 300467597.000 10/2007
KR 300467598.000 10/2007

OTHER PUBLICATIONS

[Online] Sterling Silver Octagonal Pendant with a solid 14kt gold insert. <https://www.etsy.com/listing/157811082/sterling-silver-octagonal-pendant-with-a?ref=market>. Retrieved Jun. 6, 2014.*

* cited by examiner

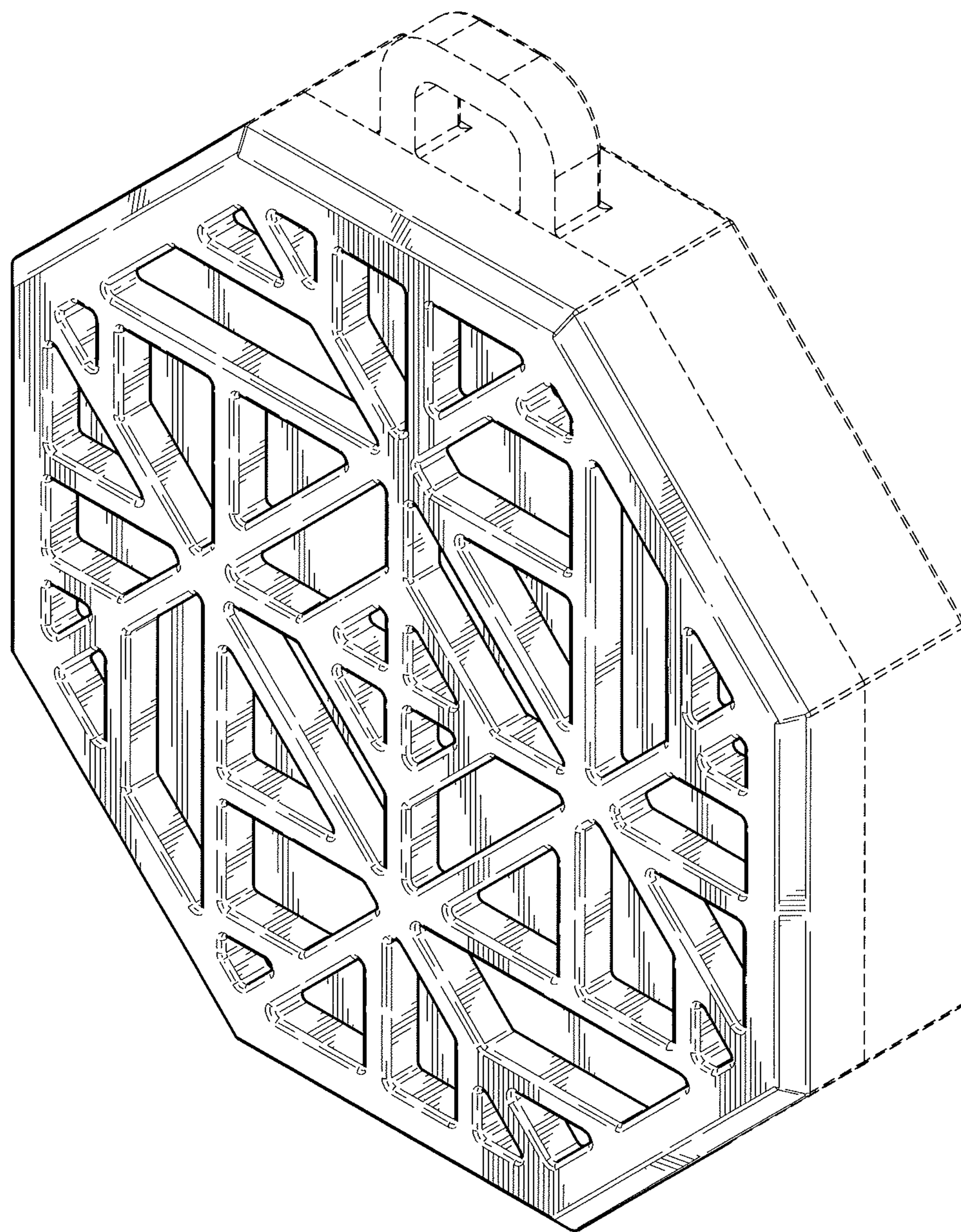


FIG. 1

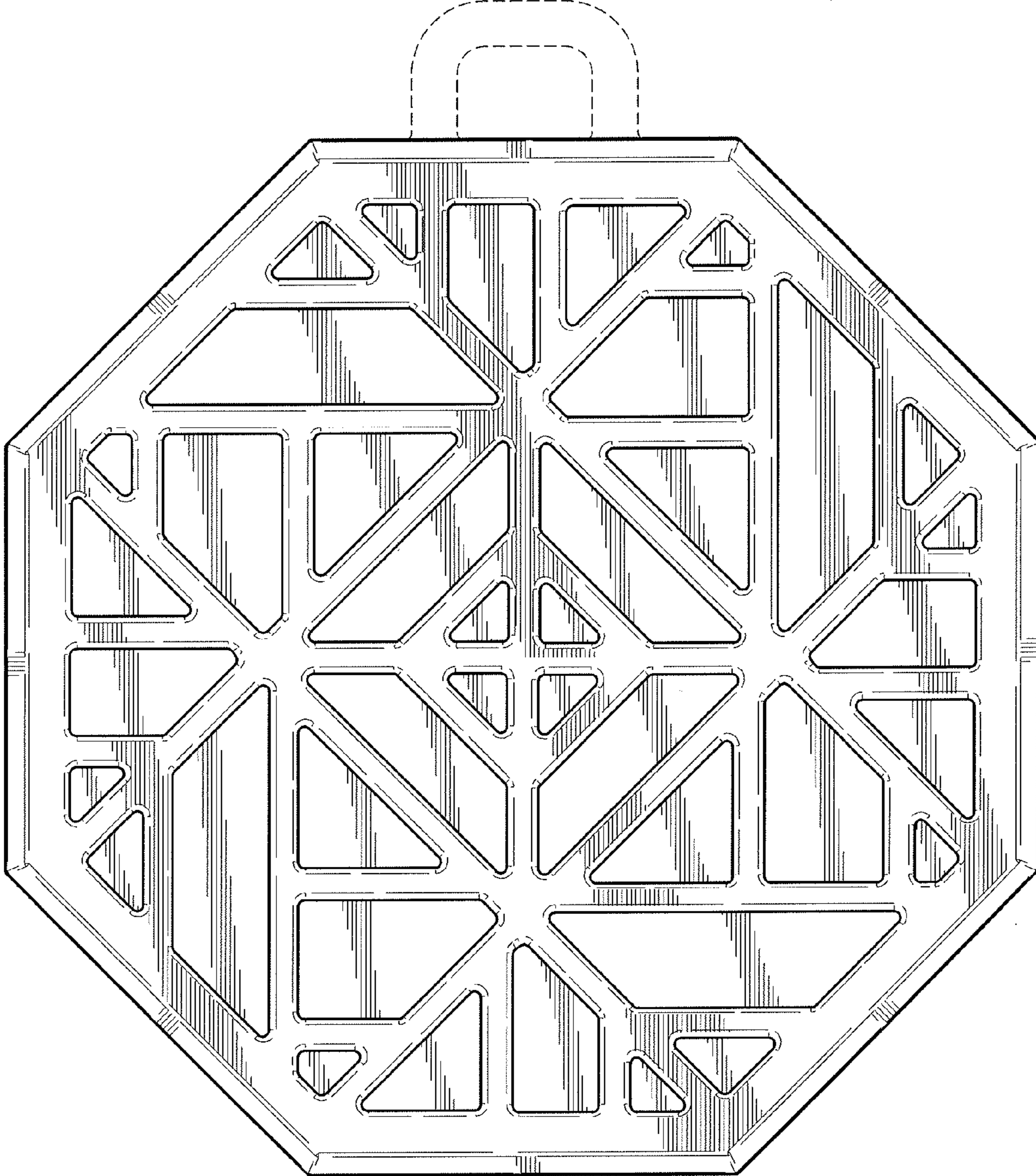


FIG. 2

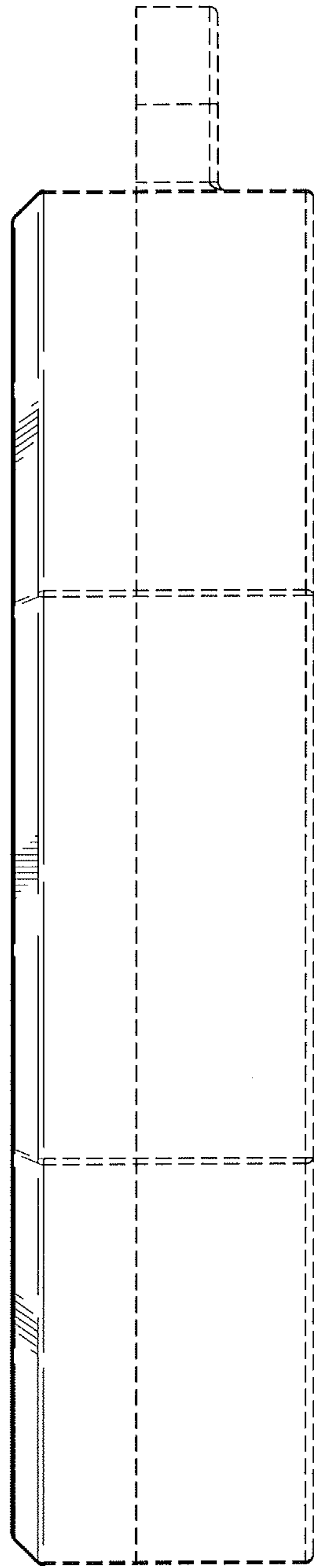


FIG. 3

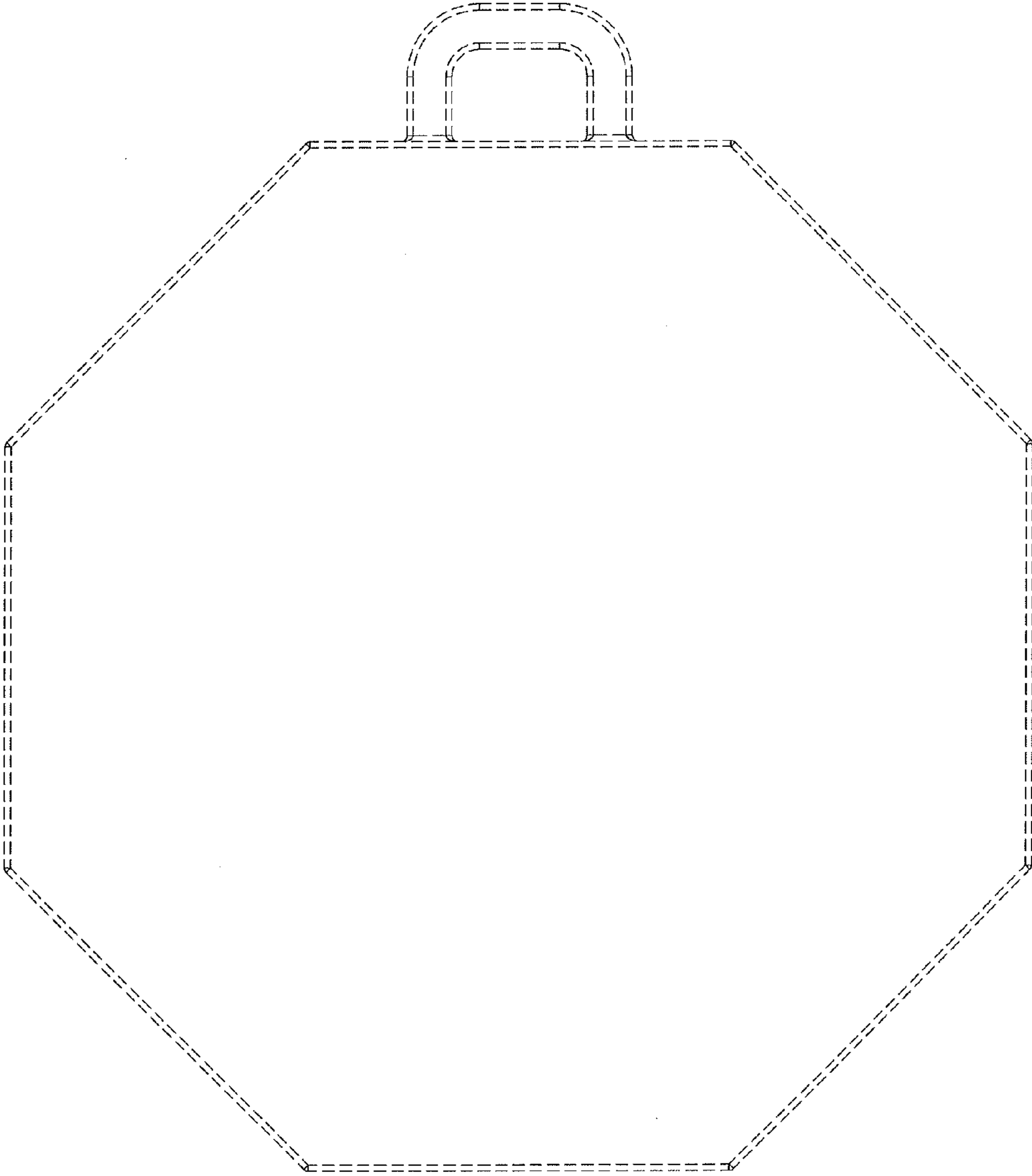


FIG. 4

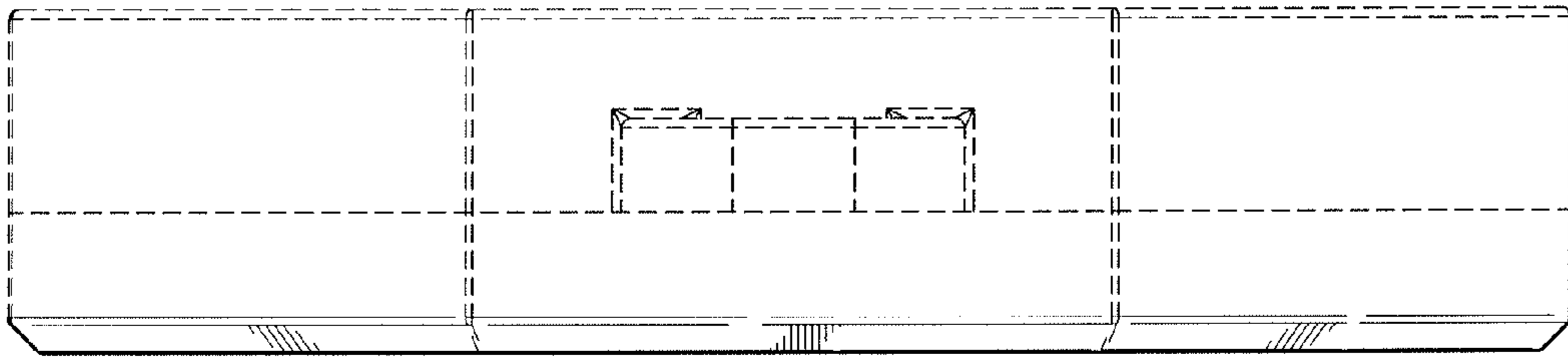


FIG. 5

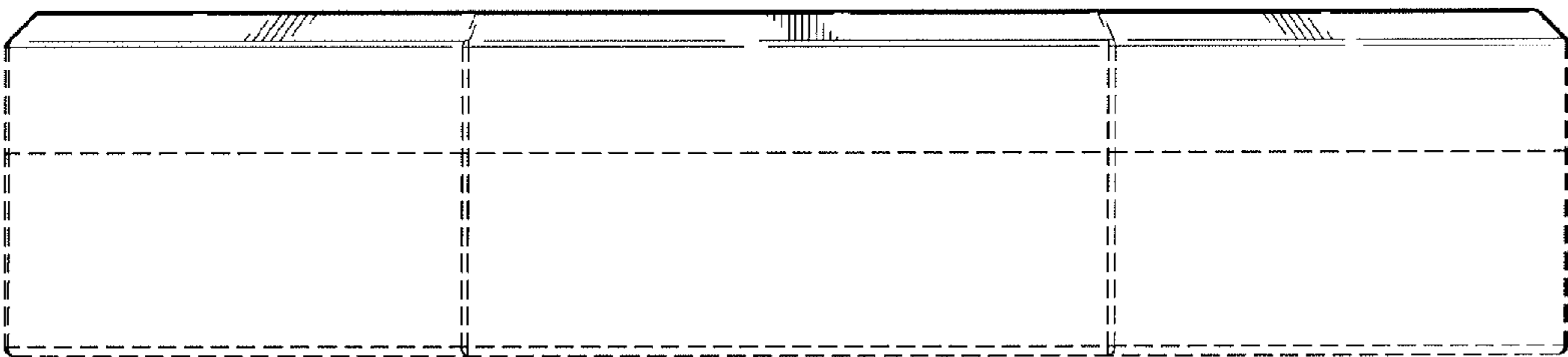


FIG. 6

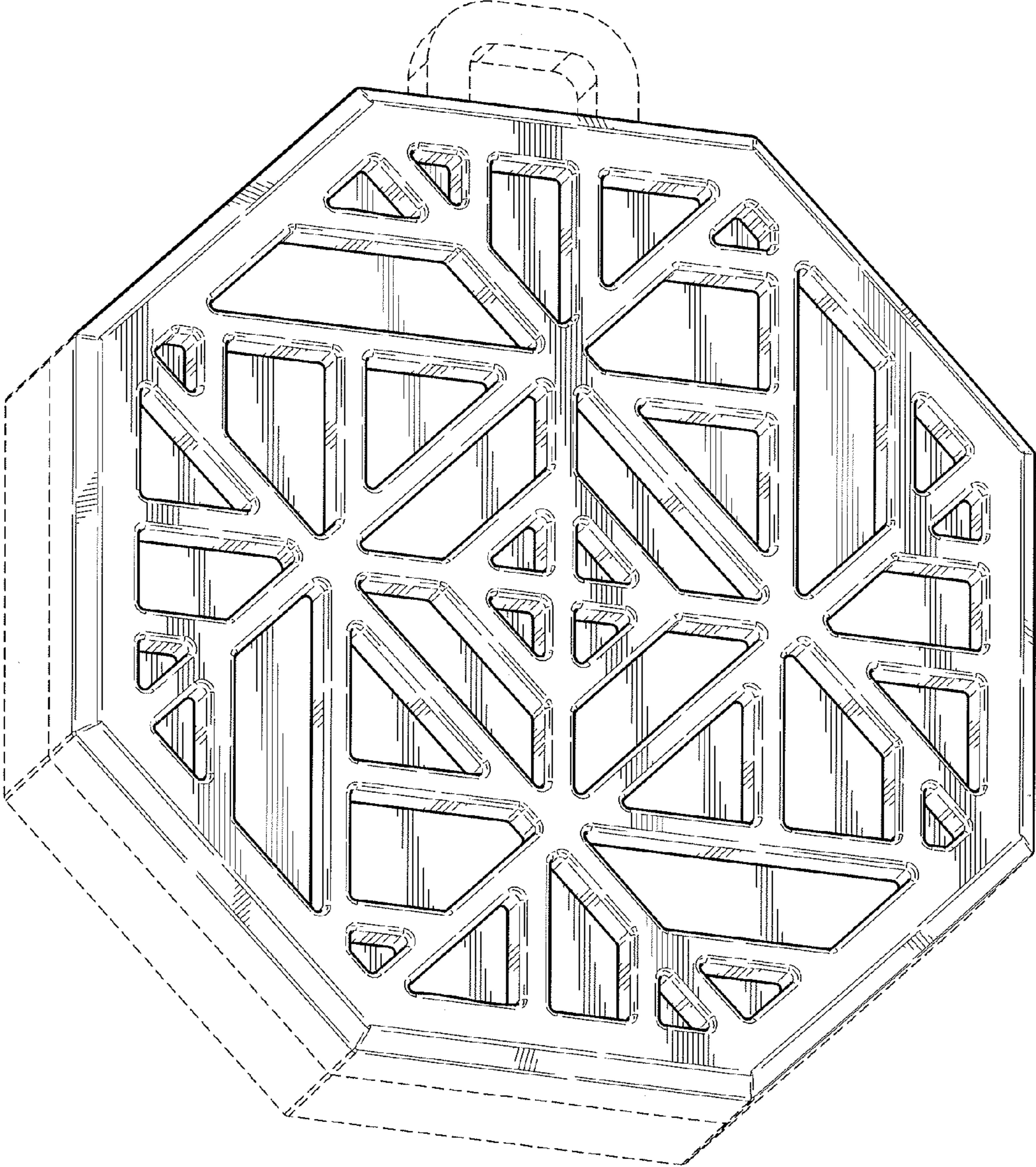


FIG. 7