



US00D715672S

(12) **United States Design Patent**
Smith et al.

(10) **Patent No.:** **US D715,672 S**
(45) **Date of Patent:** **** Oct. 21, 2014**

(54) TRAFFIC CONTROL CABINET	3,585,456 A *	6/1971	Phillips, Jr.	361/663
	3,808,504 A	4/1974	Rabie	
(71) Applicant: Western Systems, Inc. , Everett, WA (US)	4,218,105 A	8/1980	Leighty	
	4,940,299 A	7/1990	Lazenby	
	5,082,336 A	1/1992	Munch et al.	
	5,806,948 A	9/1998	Rowan et al.	
(72) Inventors: Michael Charles Smith , Everett, WA (US); Thomas Glen Rivard , Everett, WA (US); Robert Williams Nims , Everett, WA (US)	6,329,907 B1	12/2001	Uischer et al.	
	6,964,463 B1 *	11/2005	Hindle et al.	312/291
	7,250,875 B2	7/2007	Schnackenberg	
	7,843,361 B2 *	11/2010	Schnackenberg	340/907
	8,077,455 B2	12/2011	Jian	
	8,670,224 B2 *	3/2014	Little et al.	361/622
(73) Assignee: Western Systems, Inc. , Everett, WA (US)	2001/0035701 A1 *	11/2001	Holzheid	312/204
	2006/0265853 A1	11/2006	Povolny	

(**) Term: **14 Years**
(21) Appl. No.: **29/490,996**
(22) Filed: **May 15, 2014**

Related U.S. Application Data

(62) Division of application No. 29/415,027, filed on Mar. 6, 2012, now Pat. No. Des. 708,535.
(51) **LOC (10) Cl.** **10-05**
(52) **U.S. Cl.**
USPC **D10/106.95**
(58) **Field of Classification Search**
USPC D10/106.95, 121; 361/663, 662;
312/204, 291; 340/907
See application file for complete search history.

(56) **References Cited**

U.S. PATENT DOCUMENTS

774,136 A	11/1904	Forbes
1,642,533 A	9/1927	Beer
2,101,571 A	12/1937	Breisch
2,136,558 A	11/1938	Manshel
2,774,808 A	12/1956	Bullock
2,803,512 A	8/1957	Band

OTHER PUBLICATIONS

United States Patent & Trademark Office; Non-Final Office Action dated Apr. 11, 2014; U.S. Appl. No. 13/624,747; pp. 1-15.

* cited by examiner

Primary Examiner — George D Kirschbaum

(74) *Attorney, Agent, or Firm* — Lane Powell, PC; Priya Sinha Cloutier

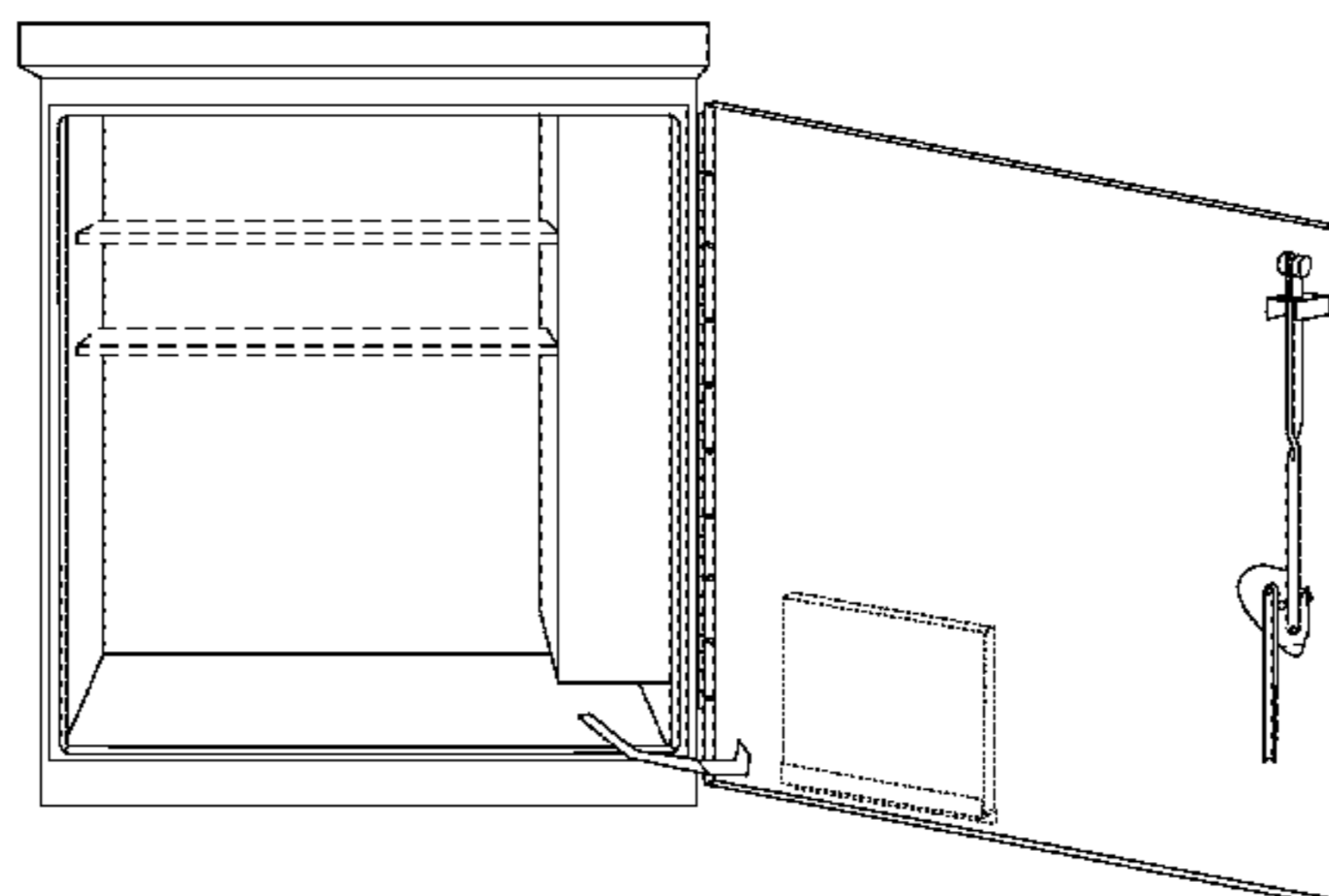
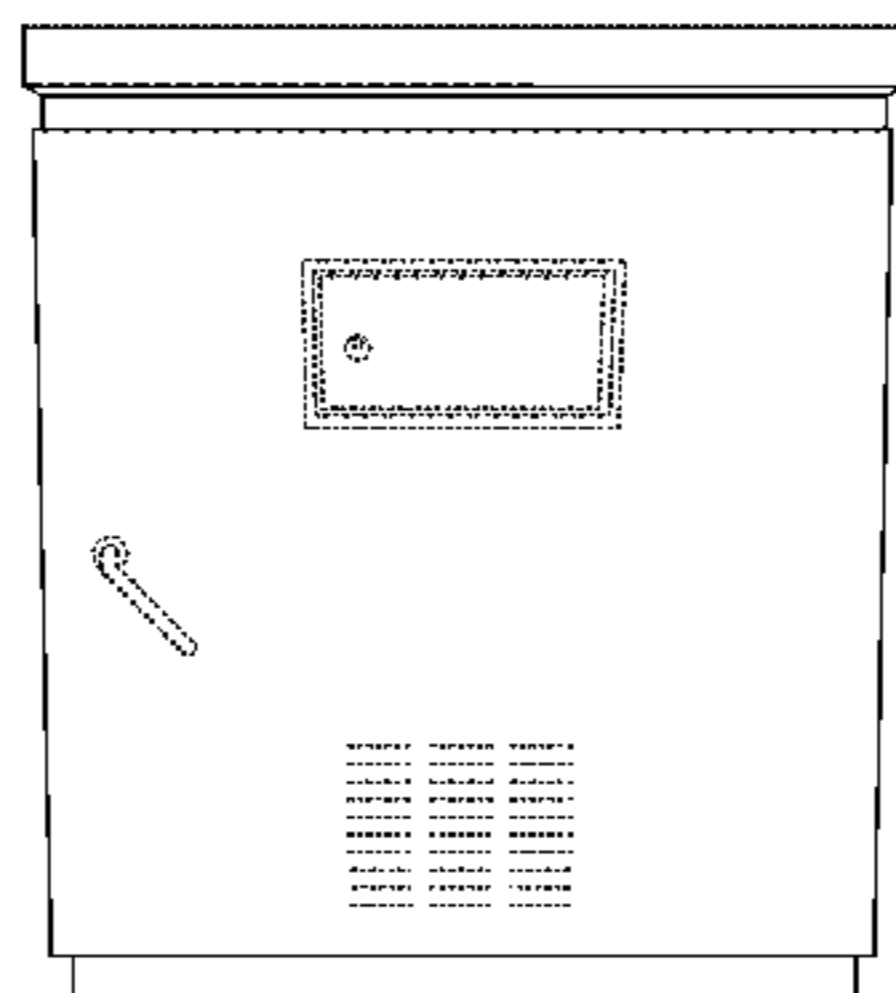
(57) **CLAIM**

The ornamental design for a traffic control cabinet, as shown and described.

DESCRIPTION

FIG. 1 is a front view of a traffic control cabinet showing our new design;
FIG. 2 is a front perspective view thereof;
FIG. 3 is a back view thereof; and,
FIG. 4 is a back view thereof.
The broken line showing of handles, vents, a front plate, and internal structures is included for the purposes of illustrating portions of the “article” and form no part of the claimed design.

1 Claim, 4 Drawing Sheets



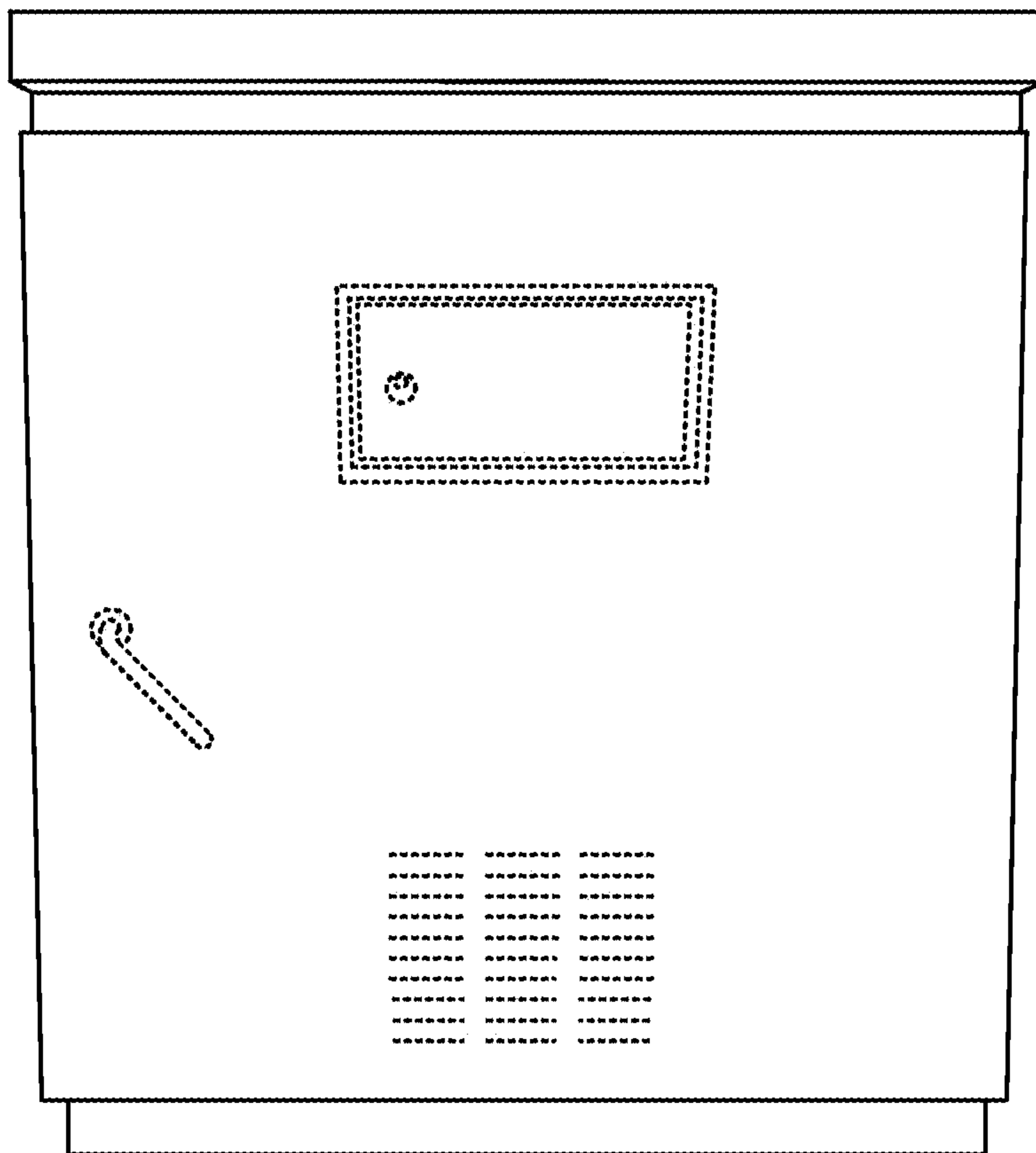


FIG. 1

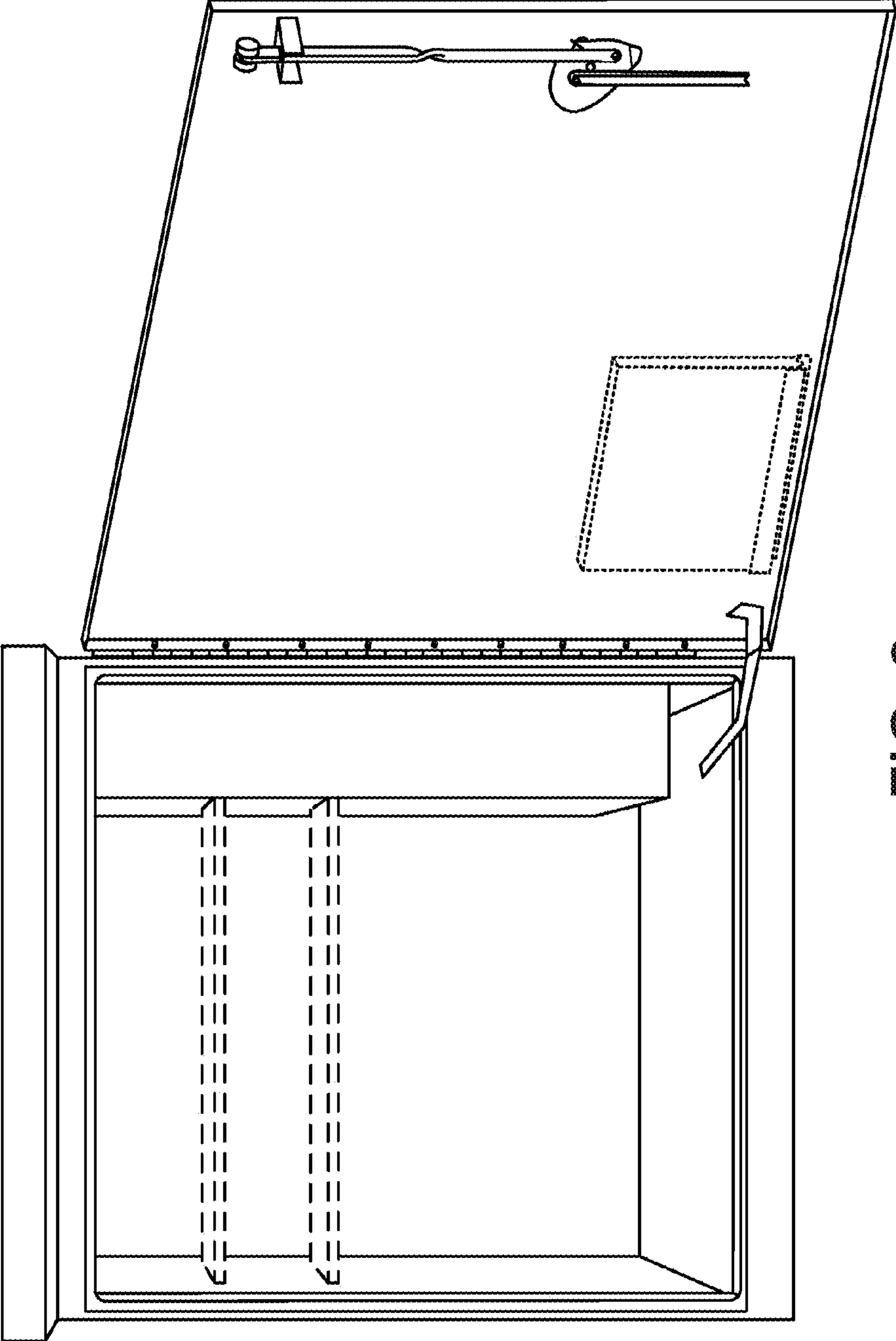


FIG. 2

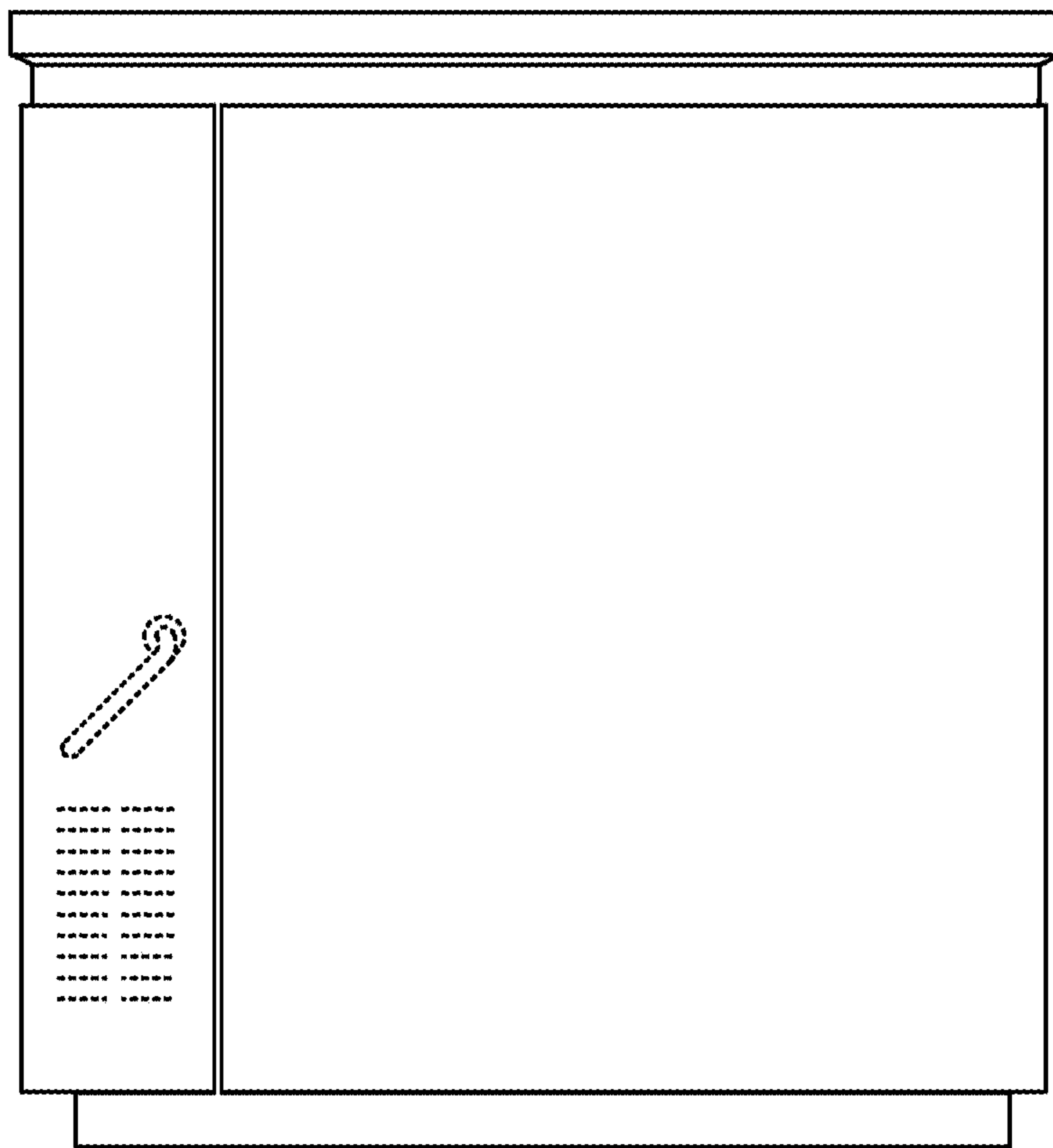


FIG. 3

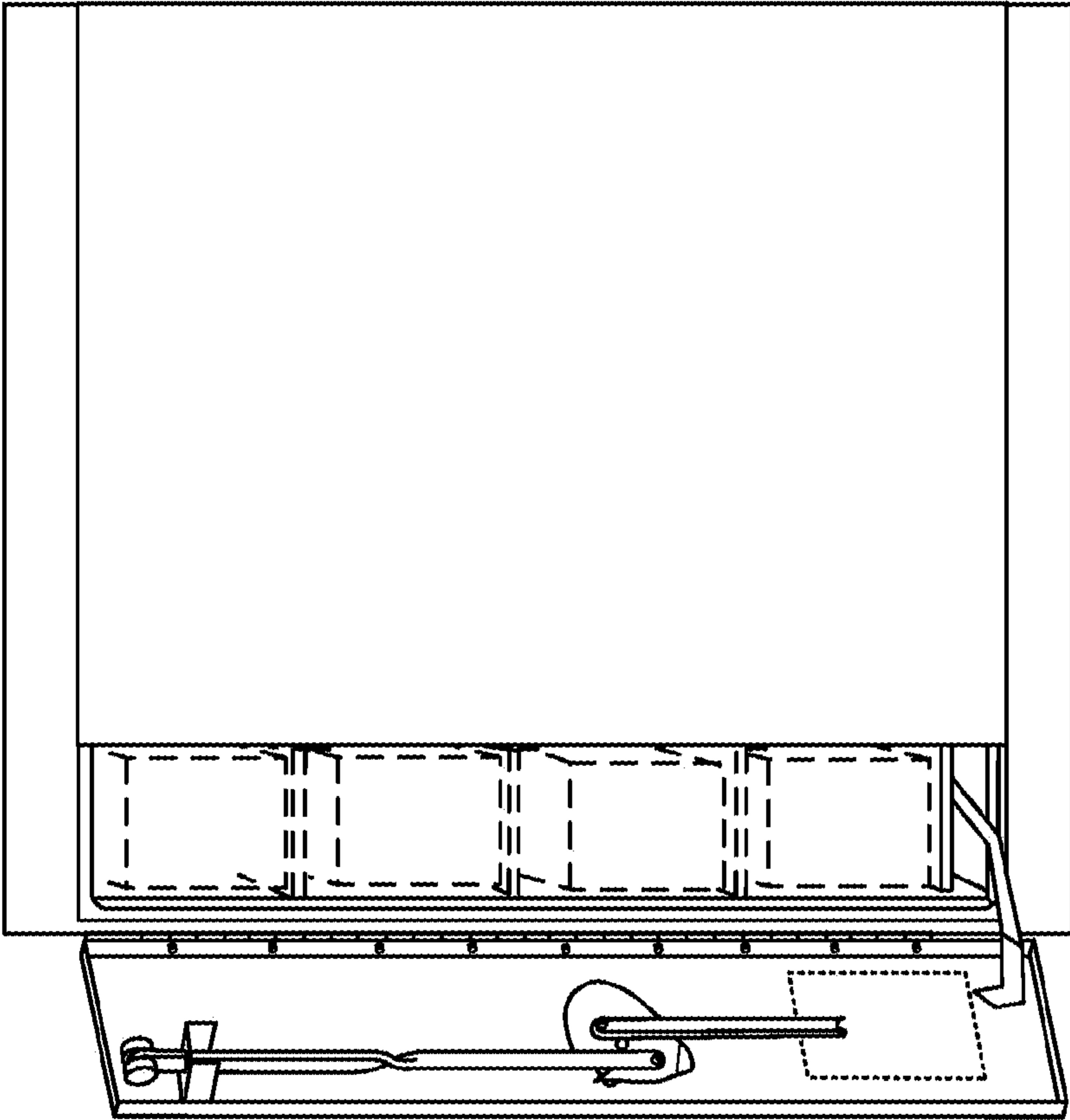


FIG. 4