



US00D715671S

(12) **United States Design Patent**
Noguchi

(10) **Patent No.:** **US D715,671 S**
(45) **Date of Patent:** **** Oct. 21, 2014**

(54) **HUMAN BODY DETECTOR**

(75) Inventor: **Michinori Noguchi**, Otsu (JP)

(73) Assignee: **Optex Co., Ltd.**, Otsu-Shi, Shiga (JP)

(**) Term: **14 Years**

(21) Appl. No.: **29/409,268**

(22) Filed: **Dec. 21, 2011**

(51) **LOC (10) Cl.** **10-05**

(52) **U.S. Cl.**
USPC **D10/106.7**

(58) **Field of Classification Search**
USPC D10/106.6, 106.7; D26/51
See application file for complete search history.

(56) **References Cited**

U.S. PATENT DOCUMENTS

D302,951 S *	8/1989	Kotlicki et al.	D10/106.6
D302,952 S *	8/1989	Soloway et al.	D10/106.6
D307,245 S *	4/1990	Biersdorff	D10/106.6
D323,405 S *	1/1992	Kin	D26/51
D485,774 S *	1/2004	Hwang et al.	D10/106.6

* cited by examiner

Primary Examiner — George D Kirschbaum

(74) *Attorney, Agent, or Firm* — Hanley, Flight and Zimmerman, LLC

(57) **CLAIM**

The ornamental design for a “human body detector,” as shown and described.

DESCRIPTION

FIG. 1 is a right, front perspective view of a “human body detector;”

FIG. 2 is a front view of the “human body detector” of FIG. 1; FIG. 3 is a rear view of the “human body detector” of FIG. 1; FIG. 4 is a right side view of the “human body detector” of FIG. 1;

FIG. 5 is a left side view of the “human body detector” of FIG. 1;

FIG. 6 is a top view of the “human body detector” of FIG. 1; FIG. 7 is a bottom view of the “human body detector” of FIG. 1;

FIG. 8 is a right, front perspective view of the “human body detector” of FIG. 1 including a mounting assembly;

FIG. 9 is a front view of the “human body detector” of FIG. 8; FIG. 10 is a rear view of the “human body detector” of FIG. 8;

FIG. 11 is a right side view of the “human body detector” of FIG. 8;

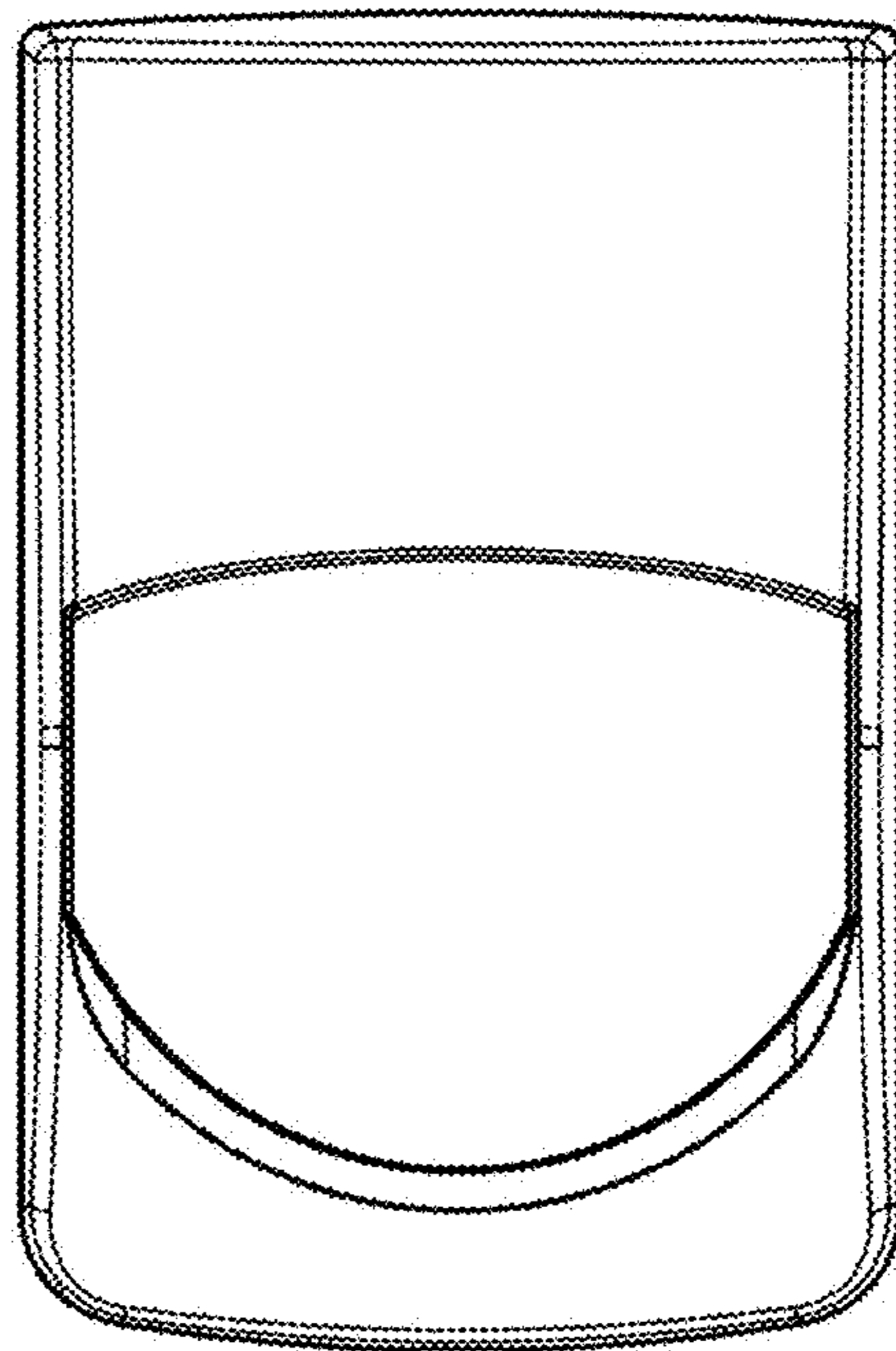
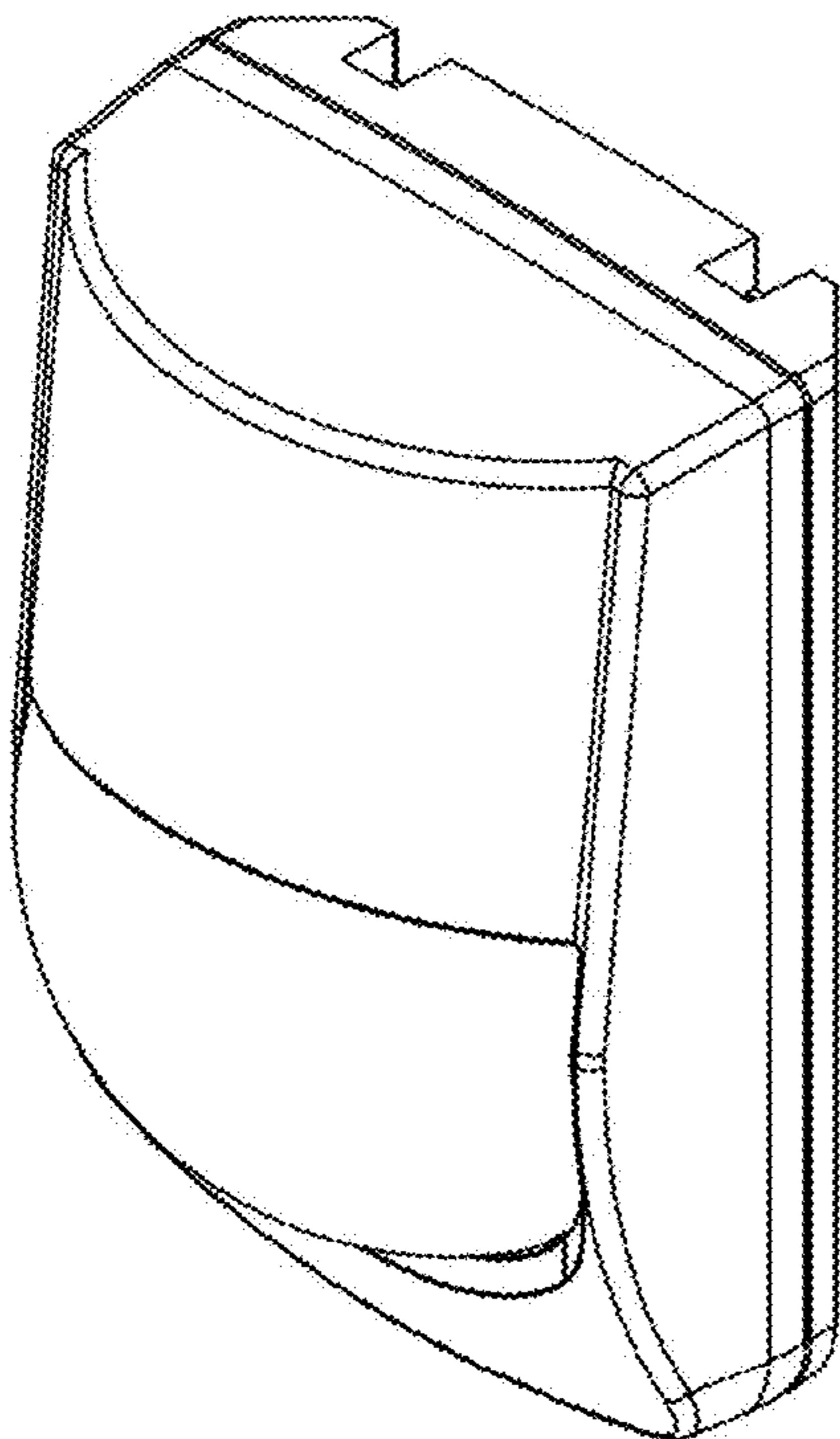
FIG. 12 is a left side view of the “human body detector” of FIG. 8;

FIG. 13 is a top view of the “human body detector” of FIG. 8; and,

FIG. 14 is a bottom view of the “human body detector” of FIG. 8.

The features shown in broken lines are for illustrative purposes only and do not form part of the claimed design.

1 Claim, 14 Drawing Sheets



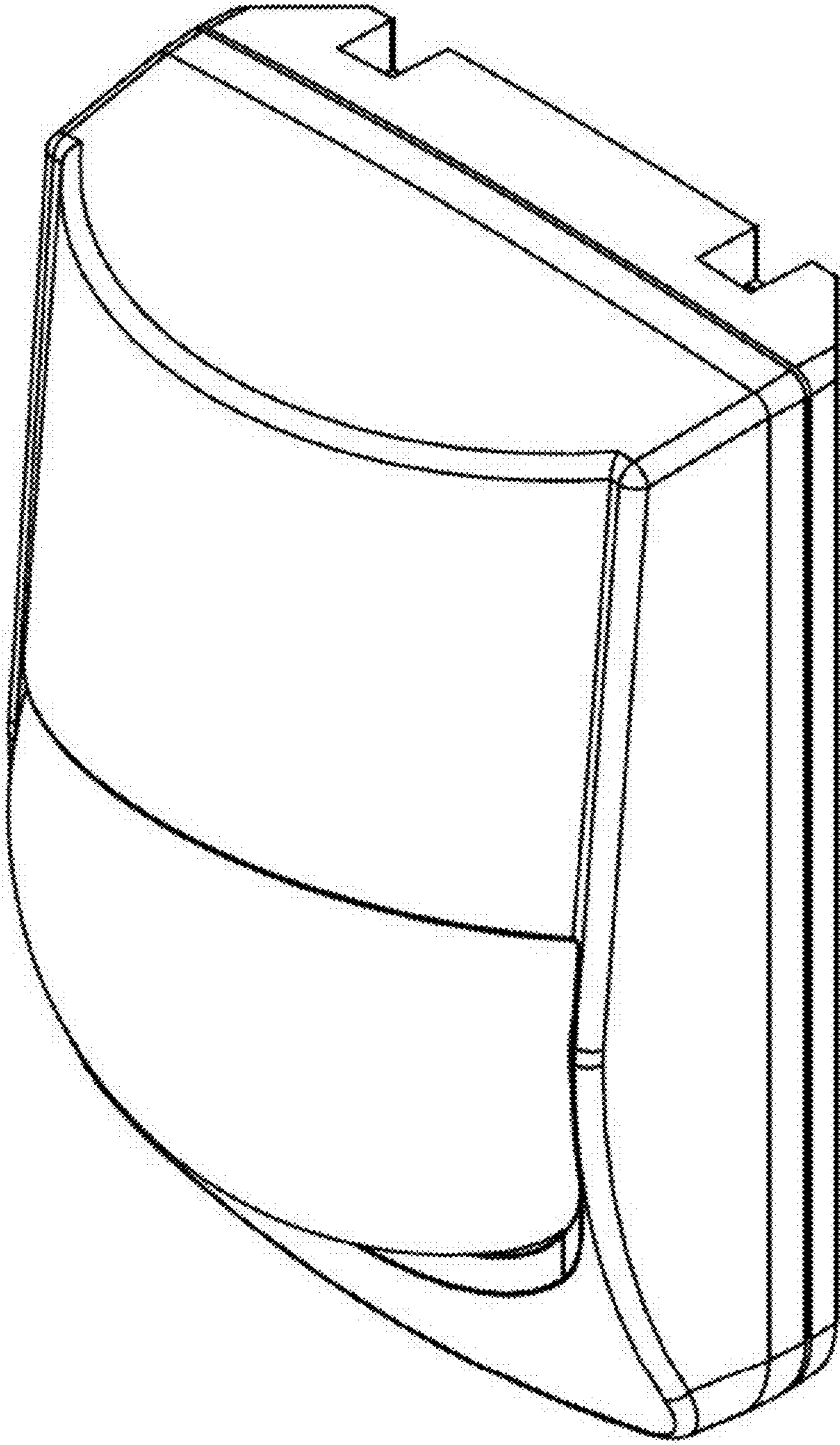


FIG. 1

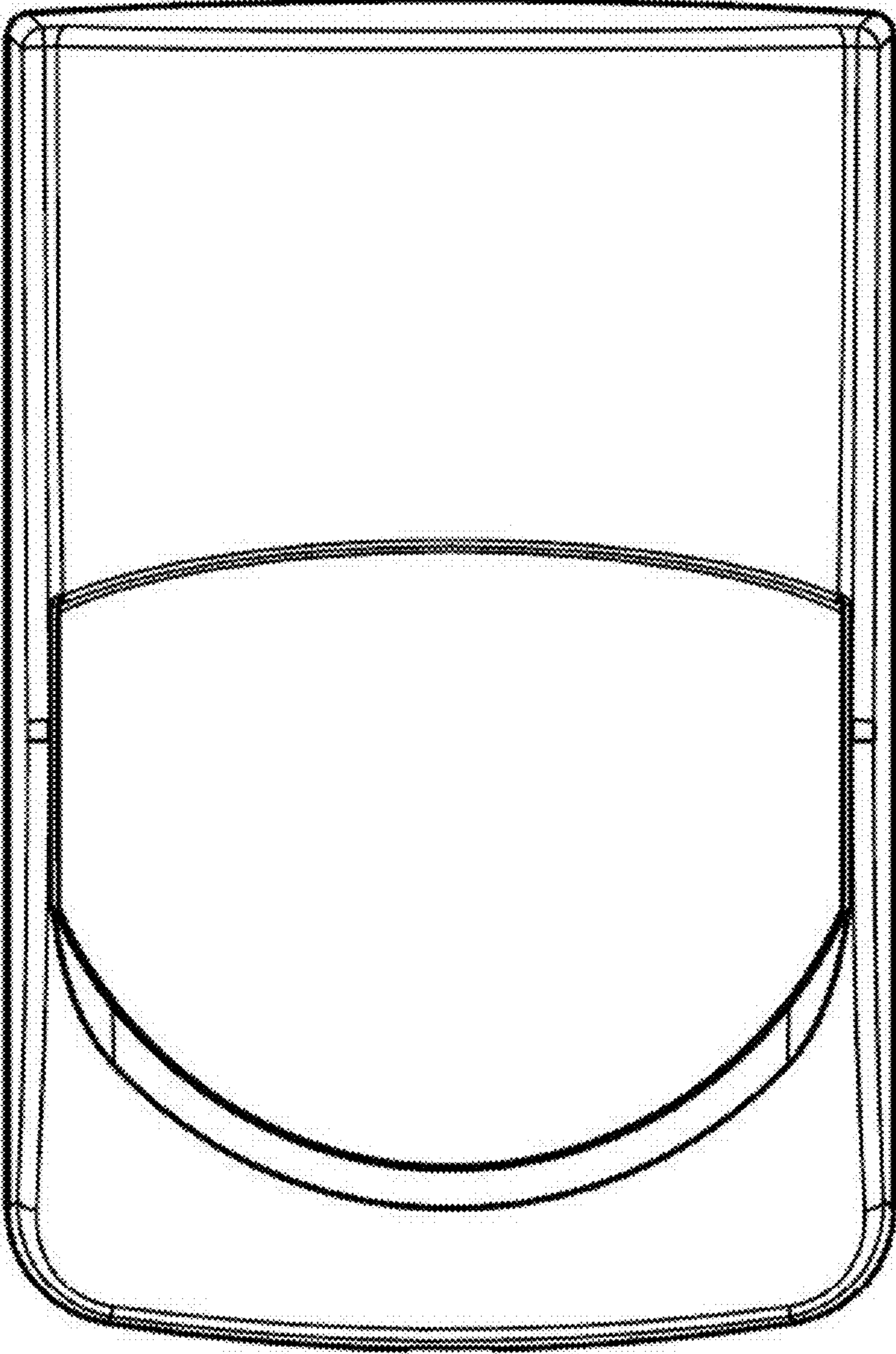


FIG. 2

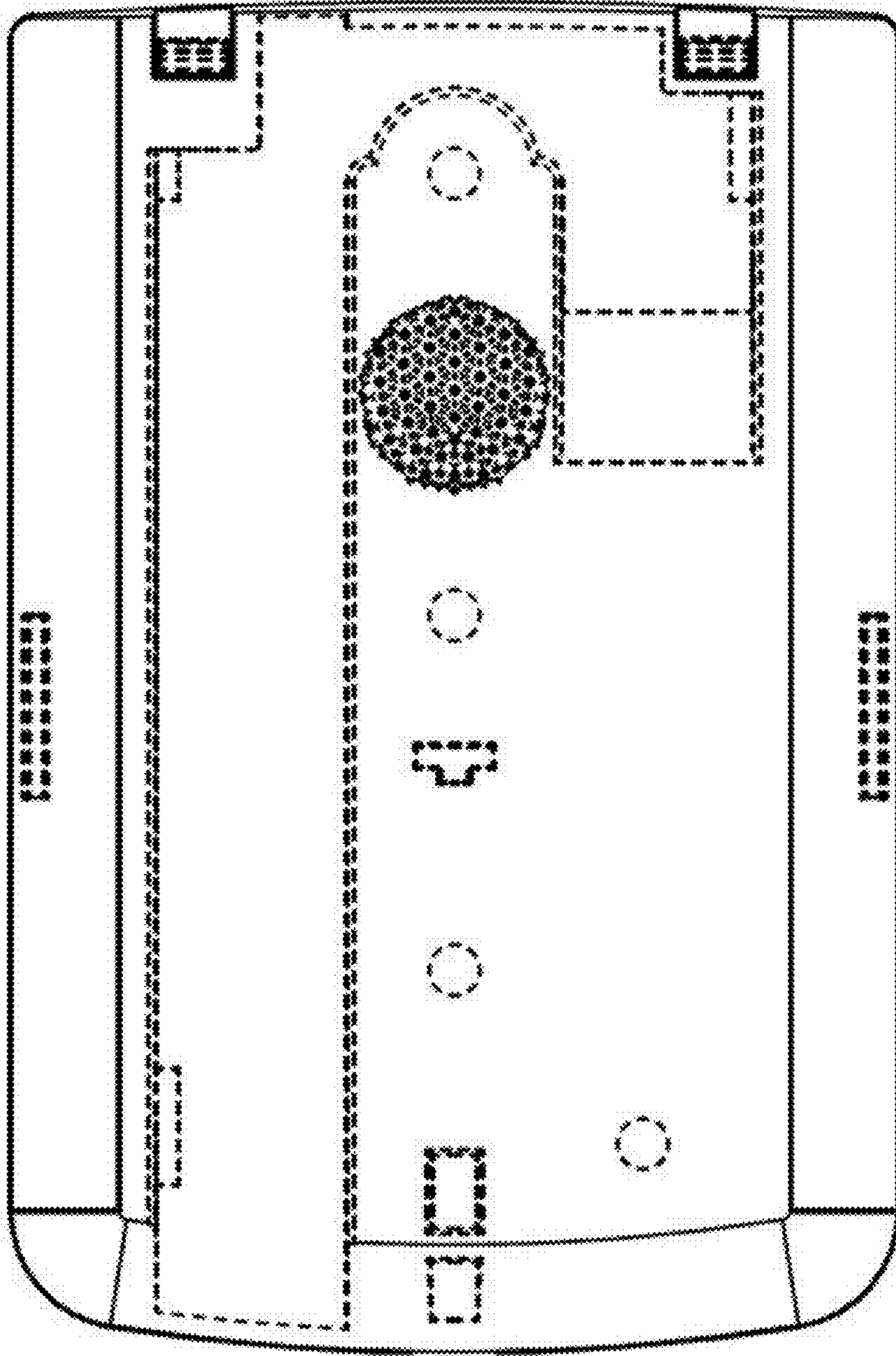


FIG. 3

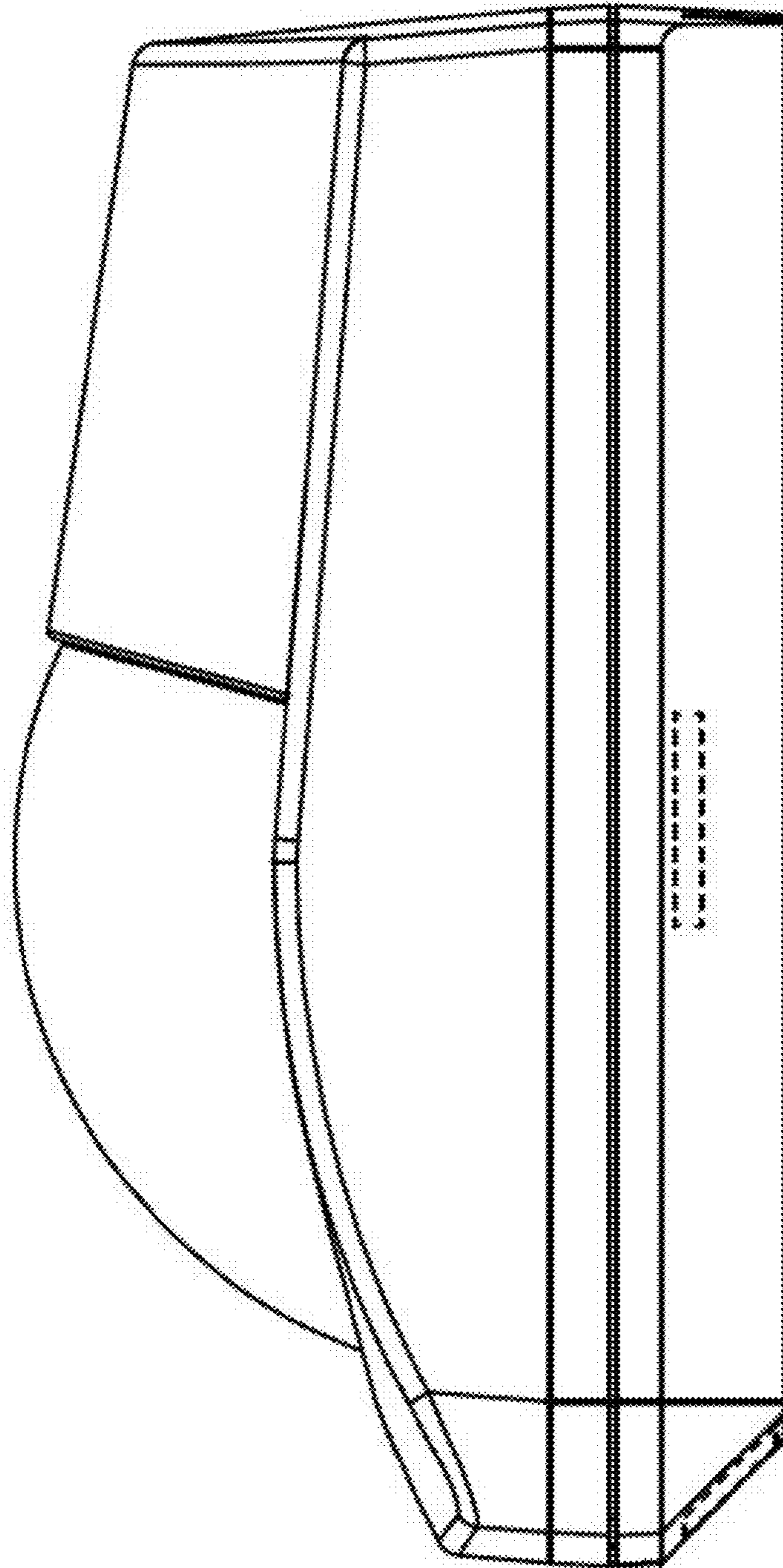


FIG. 4

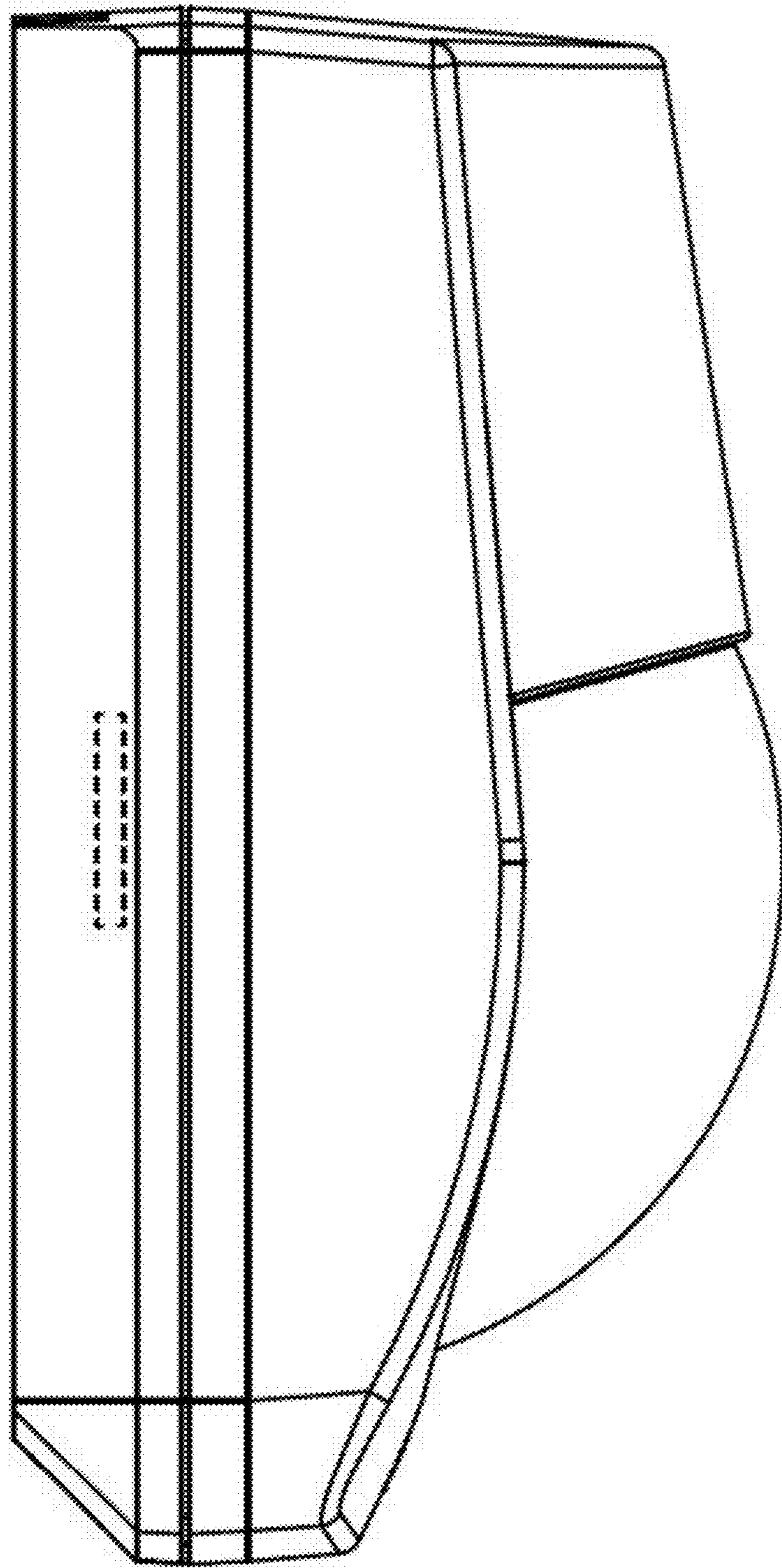


FIG. 5

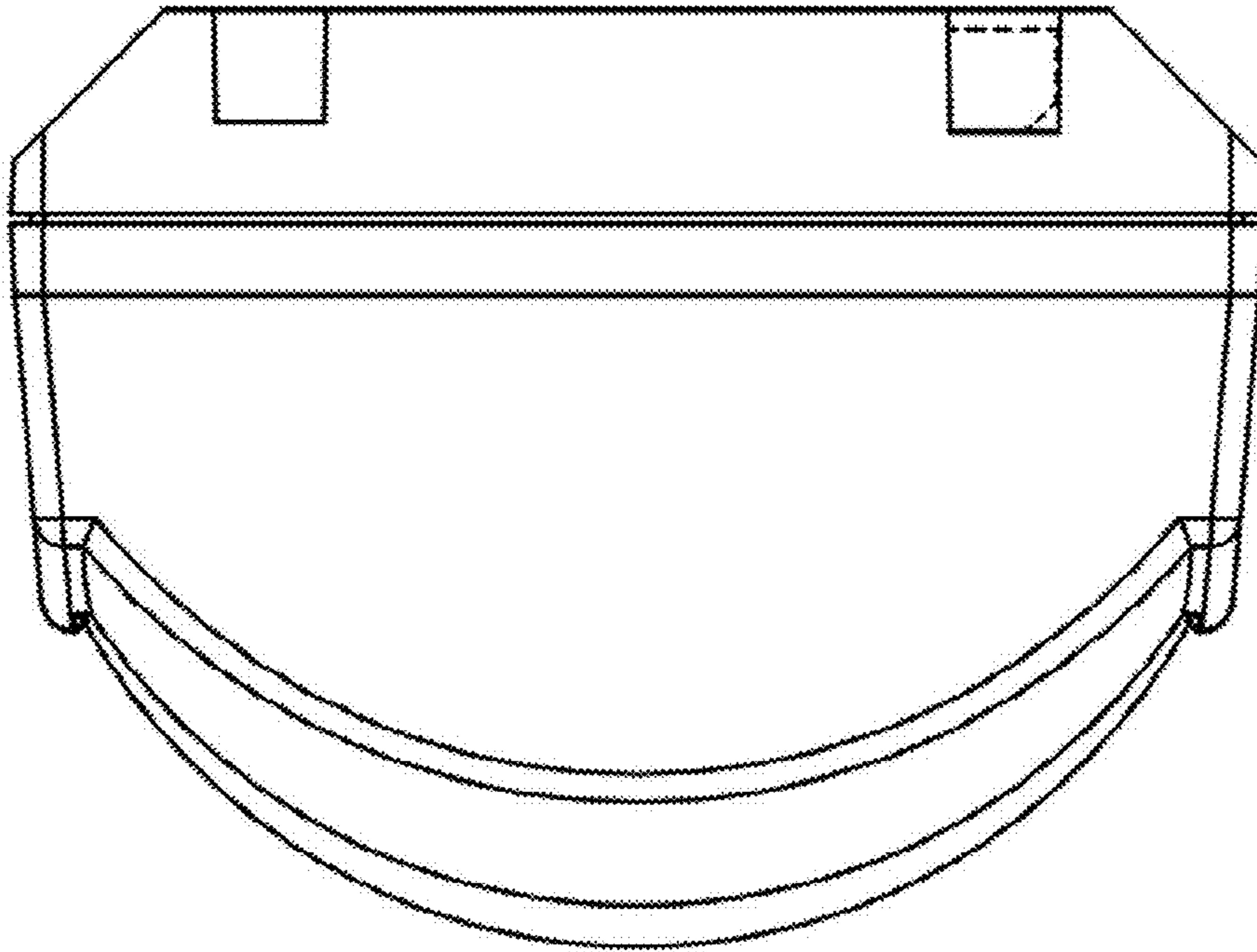


FIG. 6

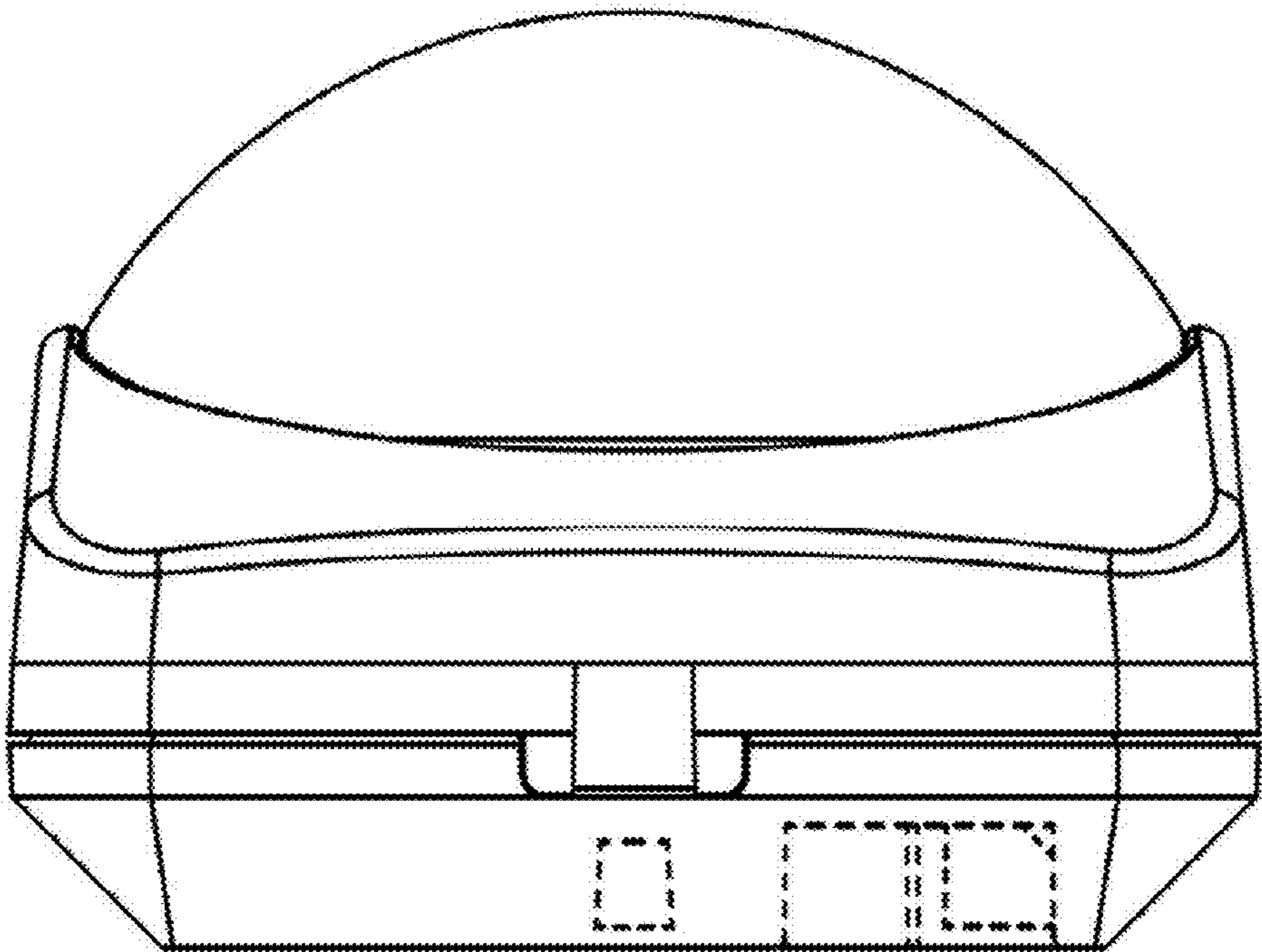


FIG. 7

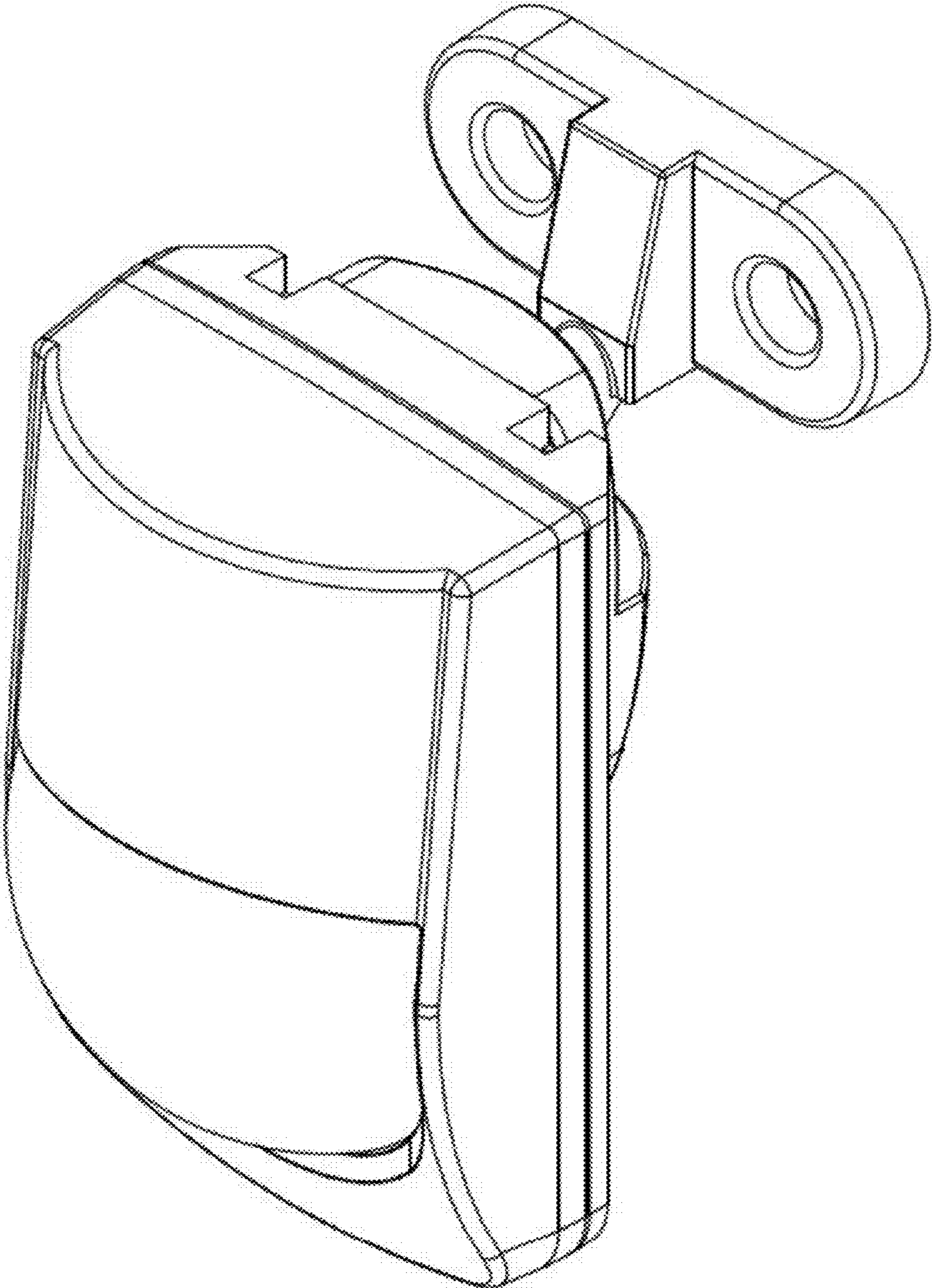


FIG. 8

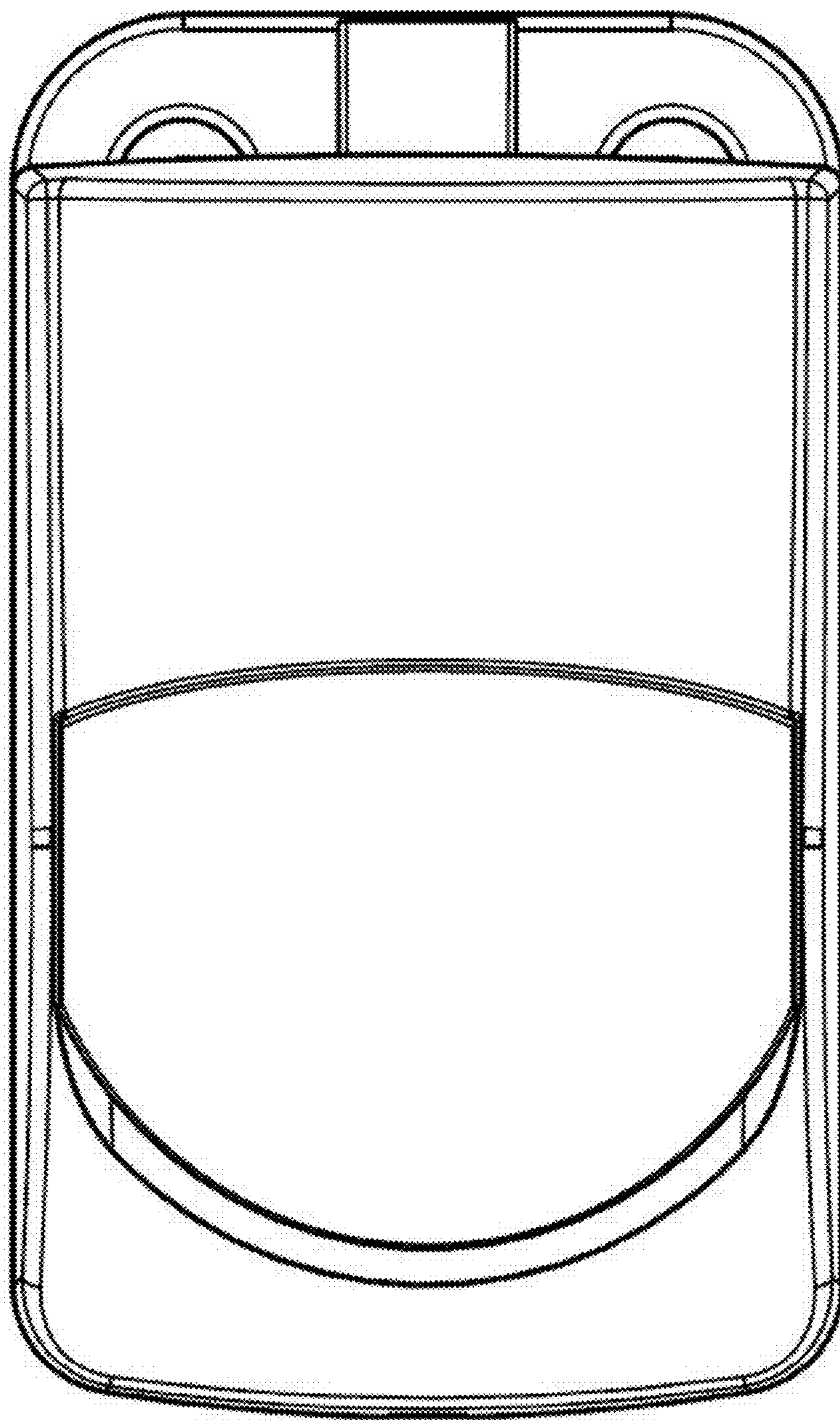


FIG. 9

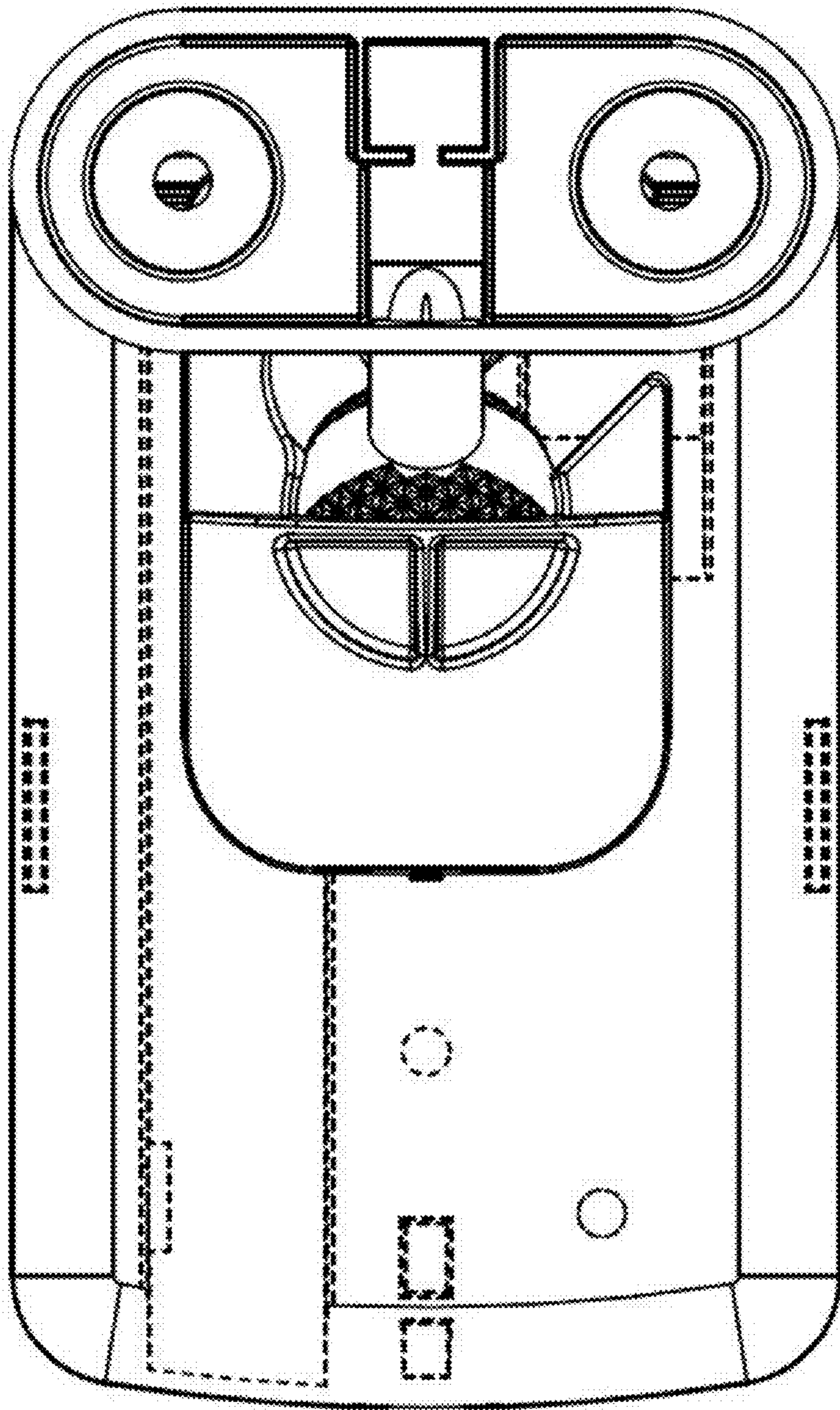


FIG. 10

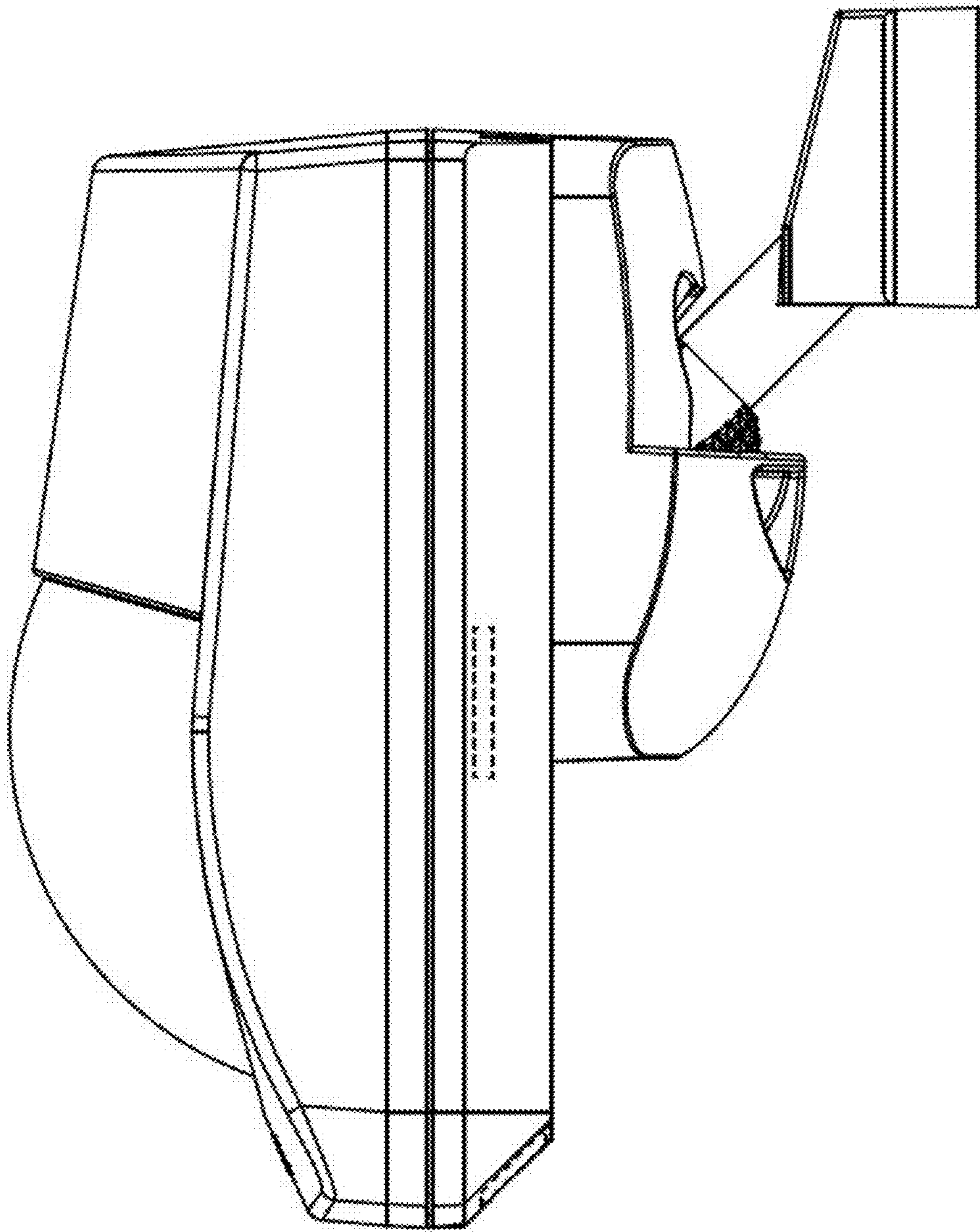


FIG. 11

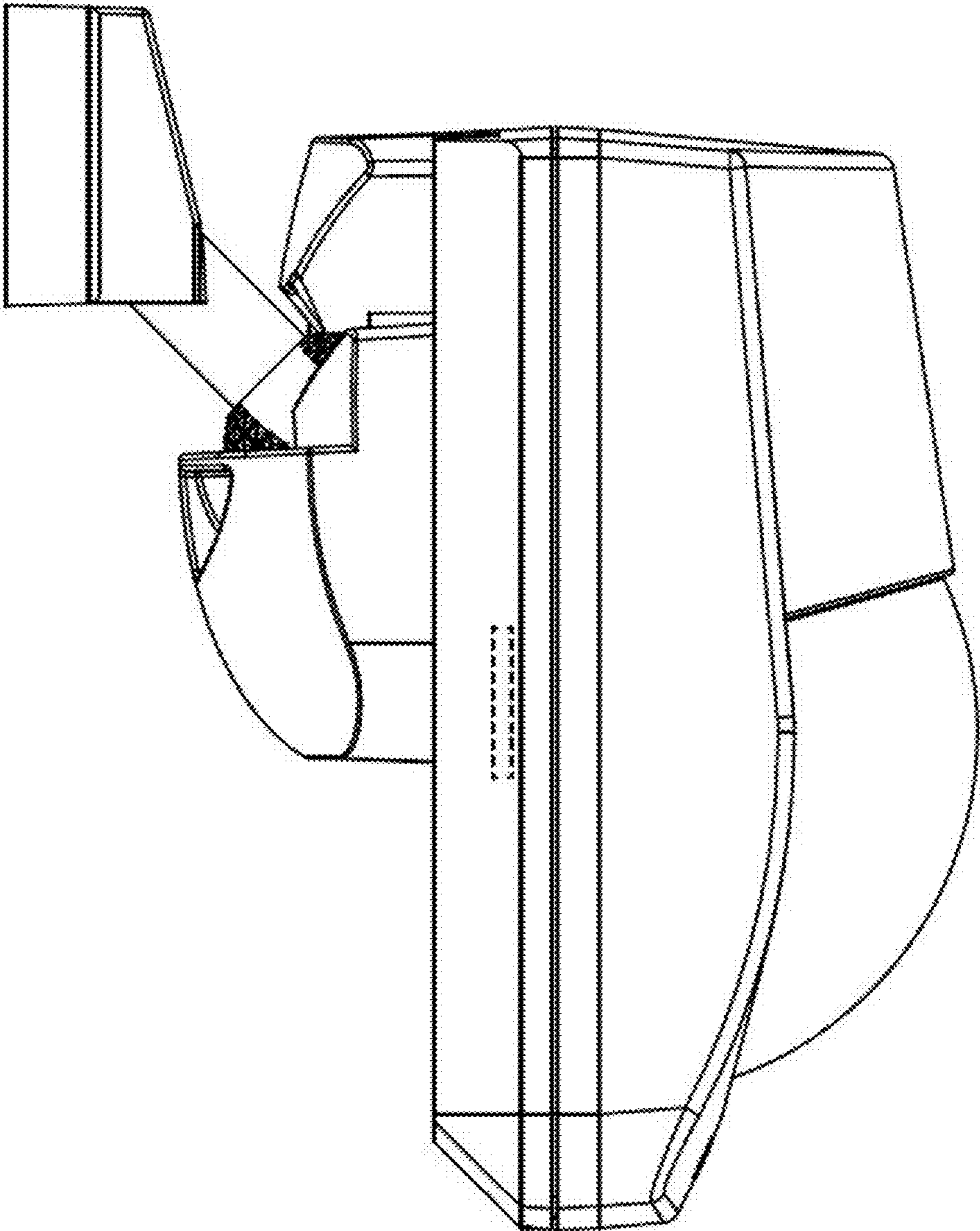


FIG. 12

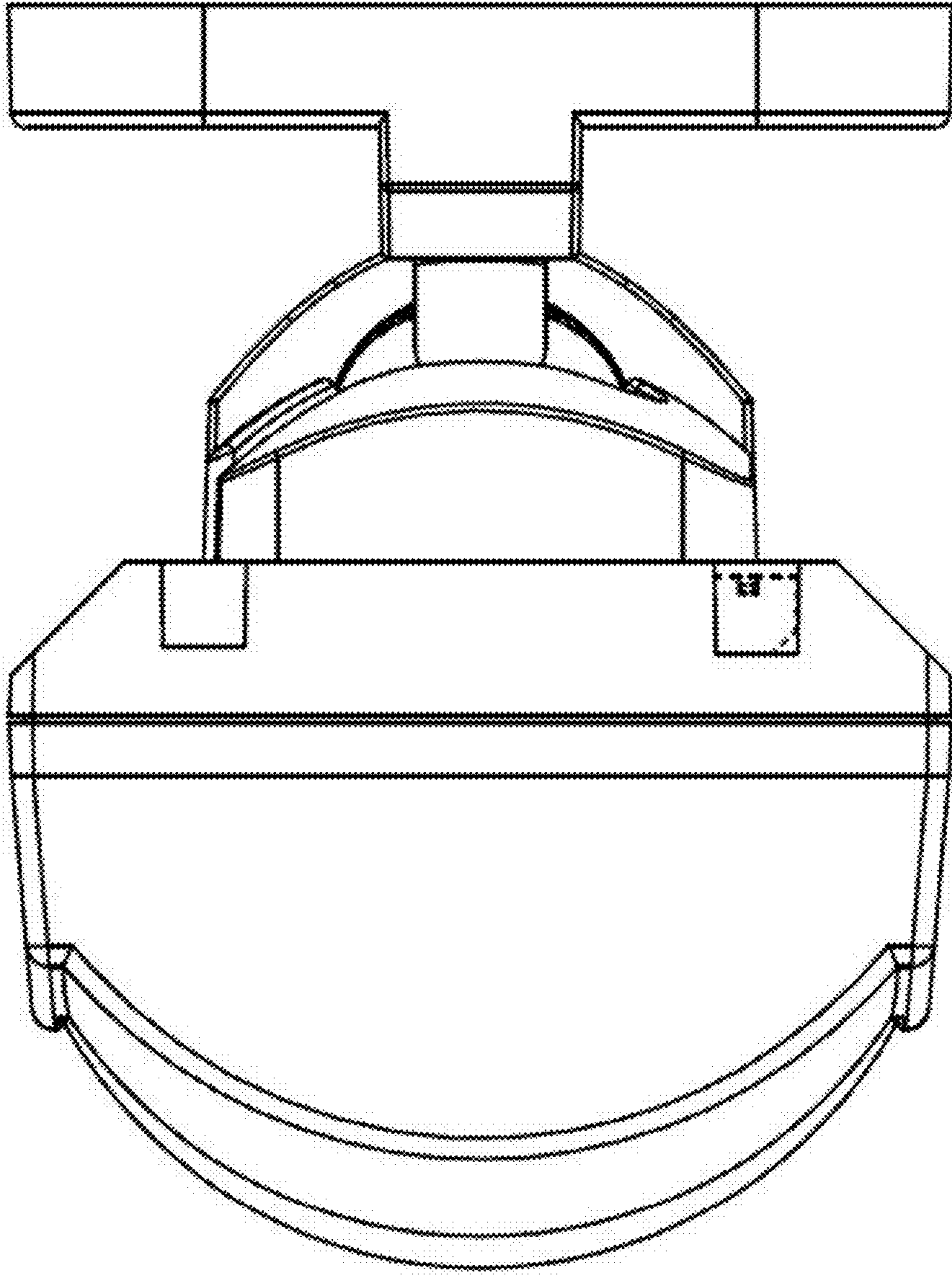


FIG. 13

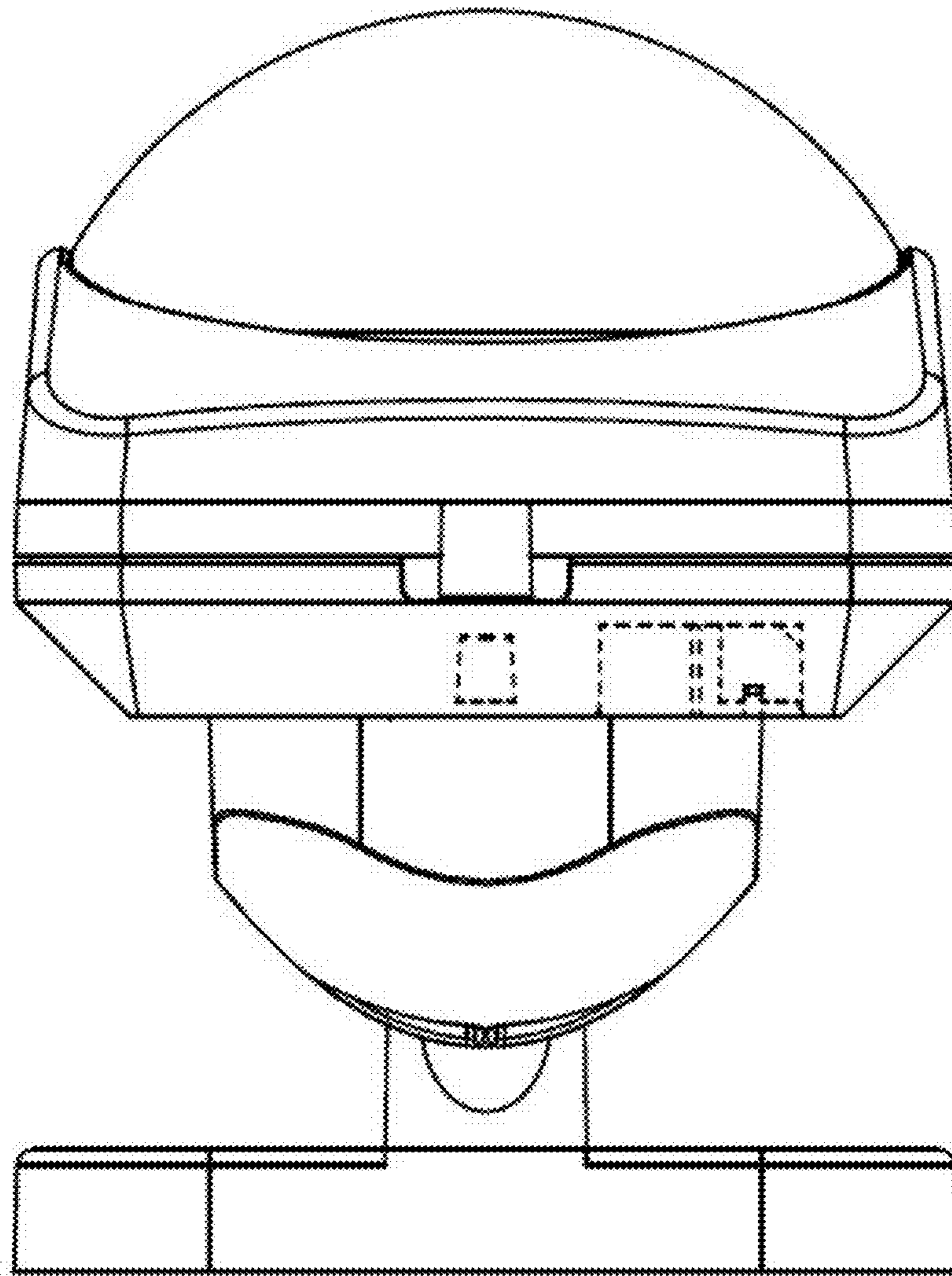


FIG. 14