



US00D715670S

(12) **United States Design Patent**  
**Stagg et al.**

(10) **Patent No.:** **US D715,670 S**

(45) **Date of Patent:** **\*\* Oct. 21, 2014**

(54) **CEILING MOUNTED ALERTING DEVICE**

(71) Applicant: **White Stagg, LLC.**, Charlotte, NC (US)

(72) Inventors: **Bradley Benjamin Stagg**, Fort Mill, NC (US); **Paul-Pavel Peters**, Melbourne (AU)

(\*\*) Term: **14 Years**

(21) Appl. No.: **29/488,175**

(22) Filed: **Apr. 16, 2014**

(51) **LOC (10) Cl.** ..... **10-05**

(52) **U.S. Cl.**  
USPC ..... **D10/106.5**

(58) **Field of Classification Search**  
USPC ..... D10/106.1, 106.5; D14/420; D20/10;  
D21/405; 340/539.13; 446/420  
See application file for complete search history.

(56) **References Cited**

**U.S. PATENT DOCUMENTS**

1,374,644 A \* 4/1921 Folkush ..... 446/420  
1,693,140 A \* 11/1928 Dietze, Jr. .... 446/420

D304,039 S \* 10/1989 Henderson et al. .... D20/10  
D332,232 S \* 1/1993 Johnson ..... D12/223  
D399,269 S \* 10/1998 Bishop, Jr. .... D21/405  
D534,823 S \* 1/2007 Prater ..... D10/106.2  
D626,963 S \* 11/2010 Kim ..... D14/420  
D653,575 S \* 2/2012 Treharne et al. .... D10/106.5  
D703,565 S \* 4/2014 Chen et al. .... D10/106.5  
D703,566 S \* 4/2014 Chen et al. .... D10/106.5  
2012/0188074 A1 \* 7/2012 Williams et al. .... 340/539.13

\* cited by examiner

*Primary Examiner* — George D Kirschbaum

(74) *Attorney, Agent, or Firm* — Loren Charnley, III

(57) **CLAIM**

We claim the ornamental design for a ceiling mounted alerting device, as shown.

**DESCRIPTION**

FIG. 1 is a front perspective view of the housing showing our new design;

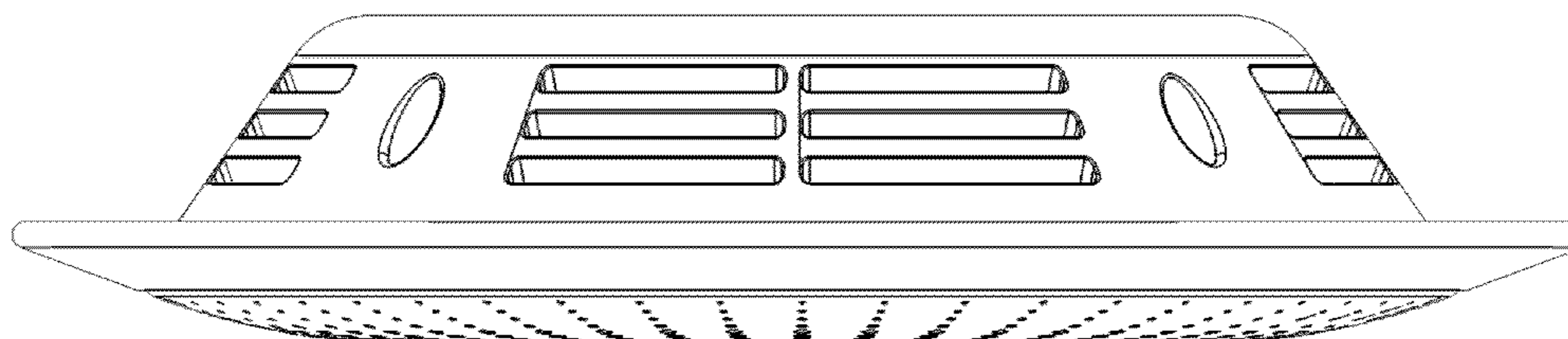
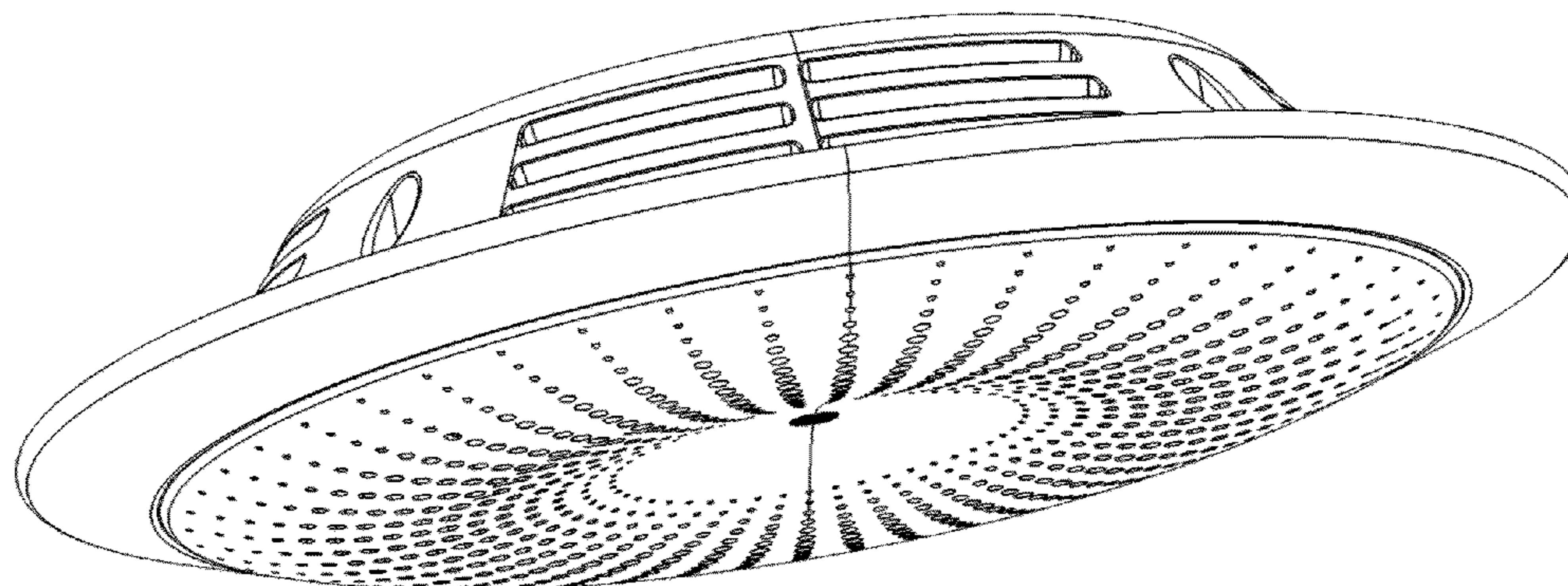
FIG. 2 is a side view thereof;

FIG. 3 is front view thereof;

FIG. 4 is a back view thereof; and,

FIG. 5 is a rear perspective view thereof.

**1 Claim, 4 Drawing Sheets**



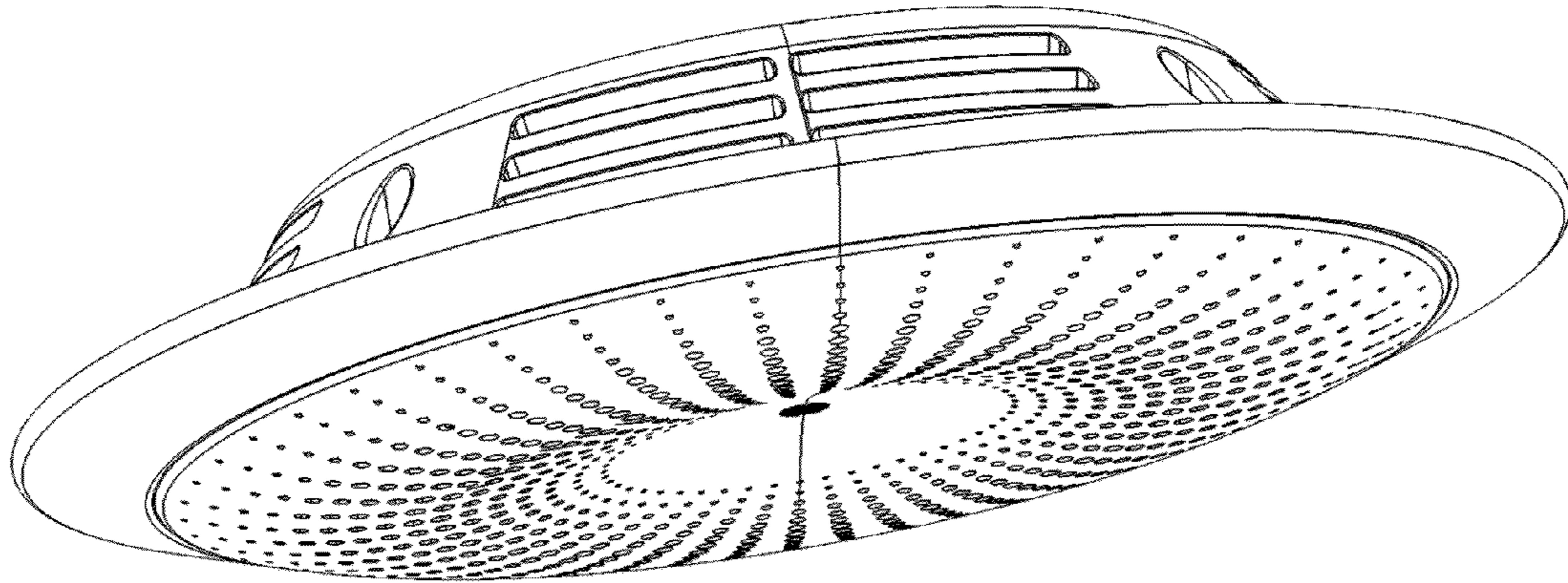


Fig. 1

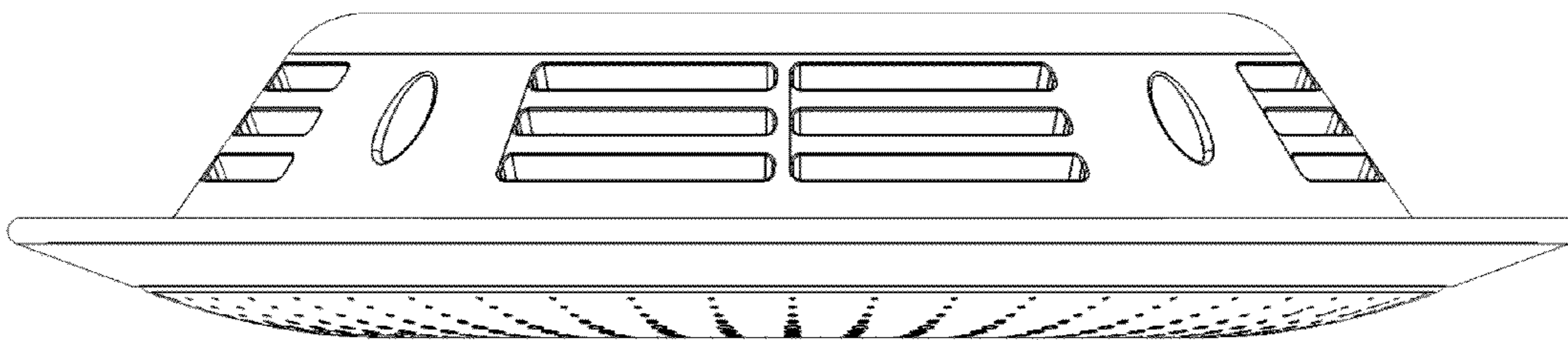


Fig. 2



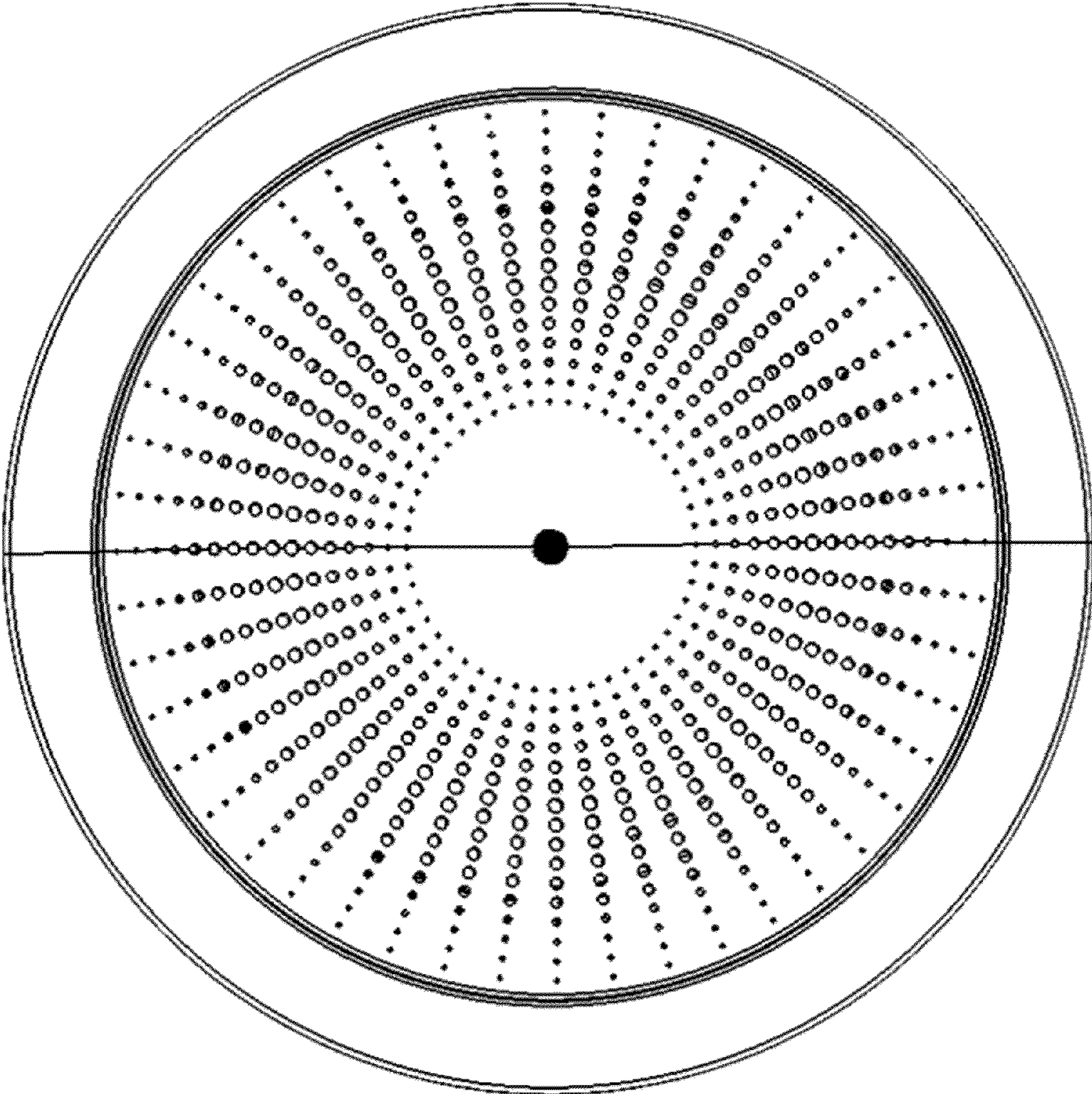


Fig. 3



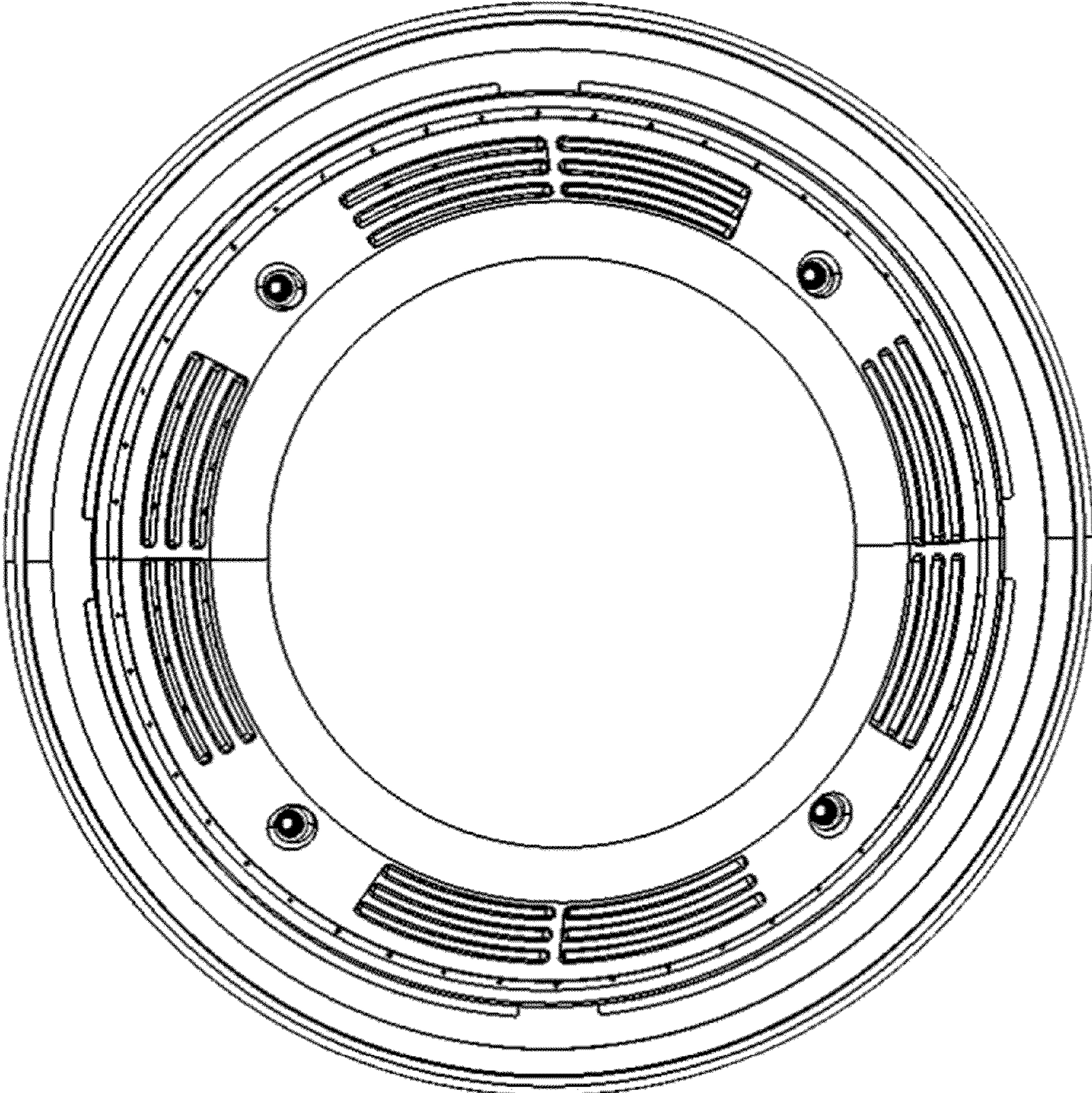


Fig. 4

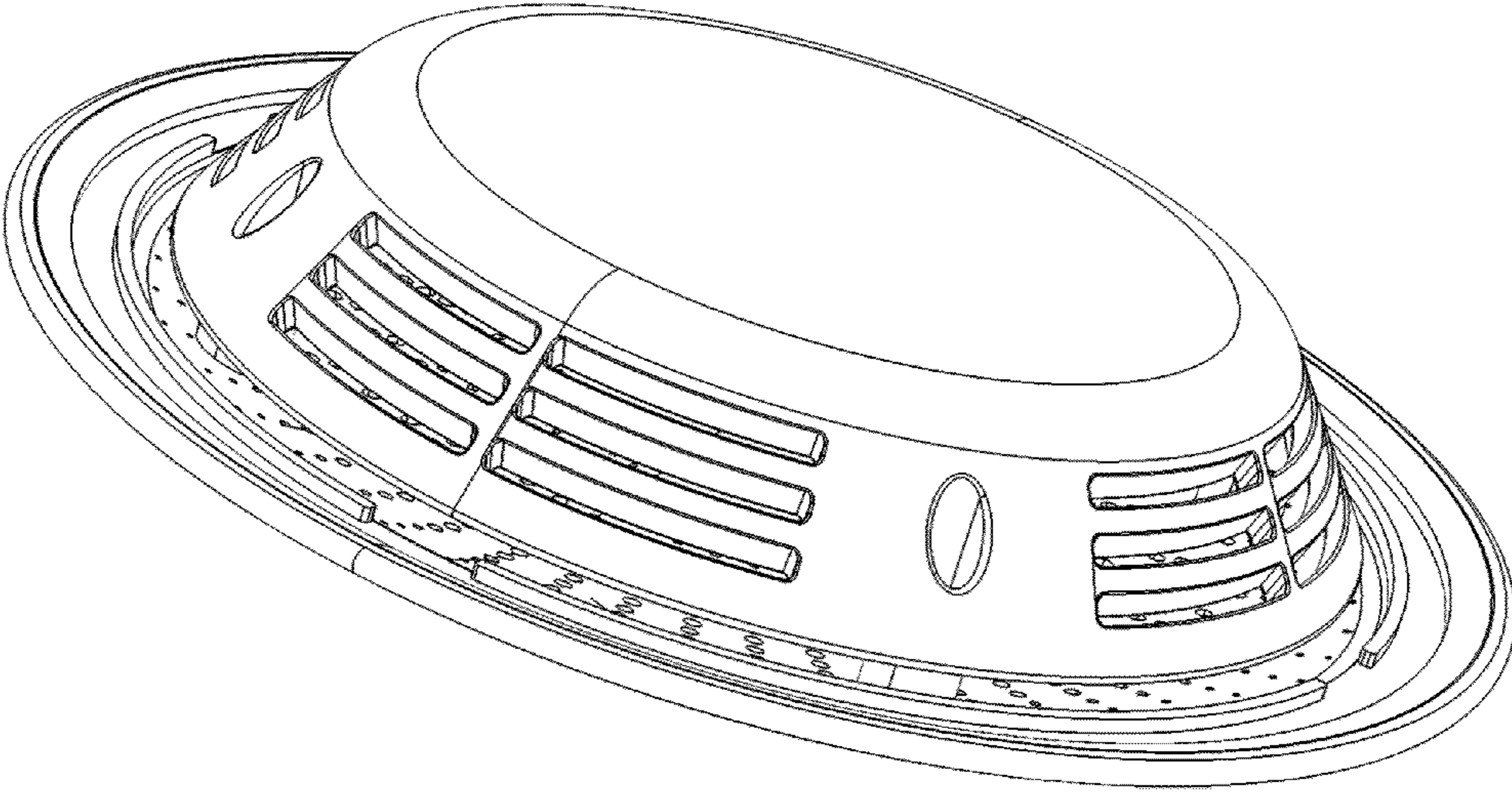


Fig. 5