



US00D715669S

(12) **United States Design Patent**
Berme

(10) **Patent No.:** **US D715,669 S**
(45) **Date of Patent:** **** Oct. 21, 2014**

(54) **VISUAL DISPLAY DEVICE FOR A FORCE MEASUREMENT SYSTEM**

(71) Applicant: **Bertec Corporation**, Columbus, OH (US)

(72) Inventor: **Necip Berme**, Worthington, OH (US)

(73) Assignee: **Bertec Corporation**, Columbus, OH (US)

(**) Term: **14 Years**

(21) Appl. No.: **29/476,520**

(22) Filed: **Dec. 13, 2013**

Related U.S. Application Data

(63) Continuation-in-part of application No. 13/958,348, filed on Aug. 2, 2013, which is a continuation-in-part of application No. 13/904,751, filed on May 29, 2013, now Pat. No. 8,704,855.

(51) **LOC (10) Cl.** **10-04**

(52) **U.S. Cl.**
USPC **D10/103**

(58) **Field of Classification Search**
USPC D10/103, 85, 104.1; D7/545, 584, 586; D13/180; D21/385

See application file for complete search history.

(56) **References Cited**

U.S. PATENT DOCUMENTS

D391,118	S	*	2/1998	Jørgensen	D7/586
D394,188	S	*	5/1998	Reynaert et al.	D7/584
6,038,488	A		3/2000	Barnes et al.		
6,113,237	A		9/2000	Ober et al.		
6,152,564	A		11/2000	Ober et al.		
6,295,878	B1		10/2001	Berme		
6,354,155	B1		3/2002	Berme		
6,389,883	B1		5/2002	Berme et al.		
6,936,016	B2		8/2005	Berme et al.		

(Continued)

OTHER PUBLICATIONS

U.S. Appl. No. 13/958,348, entitled "Force and/or Motion Measurement System and a Method for Training a Subject Using the Same", Inventors: Dr. Necip Berme et al., filed Aug. 2, 2013.

(Continued)

Primary Examiner — George D Kirschbaum

(74) *Attorney, Agent, or Firm* — The Law Office of Patrick F. O'Reilly III, LLC

(57) **CLAIM**

The ornamental design for a visual display device for a force measurement system, as shown and described.

DESCRIPTION

FIG. 1 is a front-right perspective view of a visual display device for a force measurement system showing my new design;

FIG. 2 is a top plan view thereof;

FIG. 3 is a bottom plan view thereof;

FIG. 4 is a left side elevational view thereof;

FIG. 5 is a right side elevational view;

FIG. 6 is a front elevational view thereof;

FIG. 7 is a rear elevational view thereof;

FIG. 8 is a rear-left perspective view thereof;

FIG. 9 is an alternate front-right perspective view thereof;

FIG. 10 is an alternate top plan view thereof;

FIG. 11 is an alternate bottom plan view thereof;

FIG. 12 is an alternate left side view thereof;

FIG. 13 is an alternate right side view thereof;

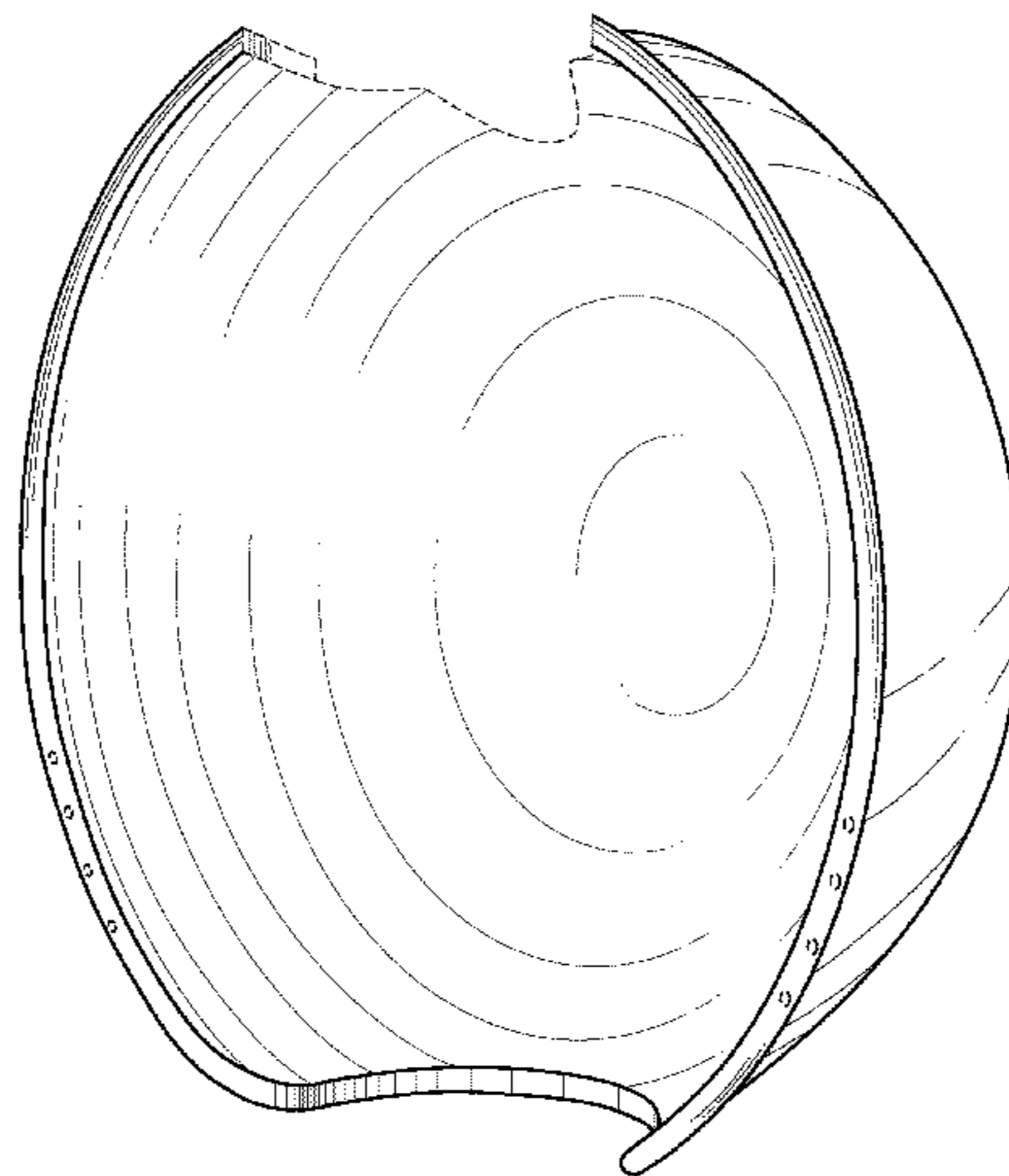
FIG. 14 is an alternate front elevational view thereof;

FIG. 15 is an alternate rear elevational view thereof; and,

FIG. 16 is an alternate rear-left perspective view thereof.

The broken line showing of a base assembly, support stand, and top housing is included for the purpose of illustrating portions of the "article" and forms no part of the claimed design.

1 Claim, 16 Drawing Sheets



(56)

References Cited

U.S. PATENT DOCUMENTS

D645,307 S * 9/2011 Shamoan D7/545
D650,342 S * 12/2011 Kuwaharada et al. D13/180
8,181,541 B2 5/2012 Berme
8,315,822 B2 11/2012 Berme et al.
8,315,823 B2 11/2012 Berme et al.
D674,024 S * 1/2013 Chiu D21/385
D689,388 S 9/2013 Berme
D689,389 S 9/2013 Berme
8,543,540 B1 9/2013 Wilson et al.
8,544,347 B1 10/2013 Berme
2003/0216656 A1 11/2003 Berme et al.
2008/0204666 A1 8/2008 Spearman
2008/0228110 A1 9/2008 Berme
2009/0059096 A1 3/2009 Yamamoto et al.
2010/0097526 A1 4/2010 Jacob

2011/0277562 A1 11/2011 Berme
2012/0266648 A1 10/2012 Berme et al.
2012/0271565 A1 10/2012 Berme et al.

OTHER PUBLICATIONS

U.S. Appl. No. 13/904,751, entitled "Force Measurement System Having A Displaceable Force Measurement Assembly", Inventors: Dr. Necip Berme et al., filed May 29, 2013.
U.S. Appl. No. 61/754,556, entitled "Force Measurement System Having A Displaceable Force Measurement Assembly", Inventors: Dr. Necip Berme et al., filed Jan. 19, 2013.
First office action on the merits (Non-Final Rejection) in U.S. Appl. No. 13/904,751, mailed on Jul. 19, 2013.
Second office action on the merits (Final Rejection) in U.S. Appl. No. 13/904,751, mailed on Oct. 31, 2013.
First office action on the merits (Non-Final Rejection) in U.S. Appl. No. 13/958,348, mailed on Dec. 5, 2013.

* cited by examiner

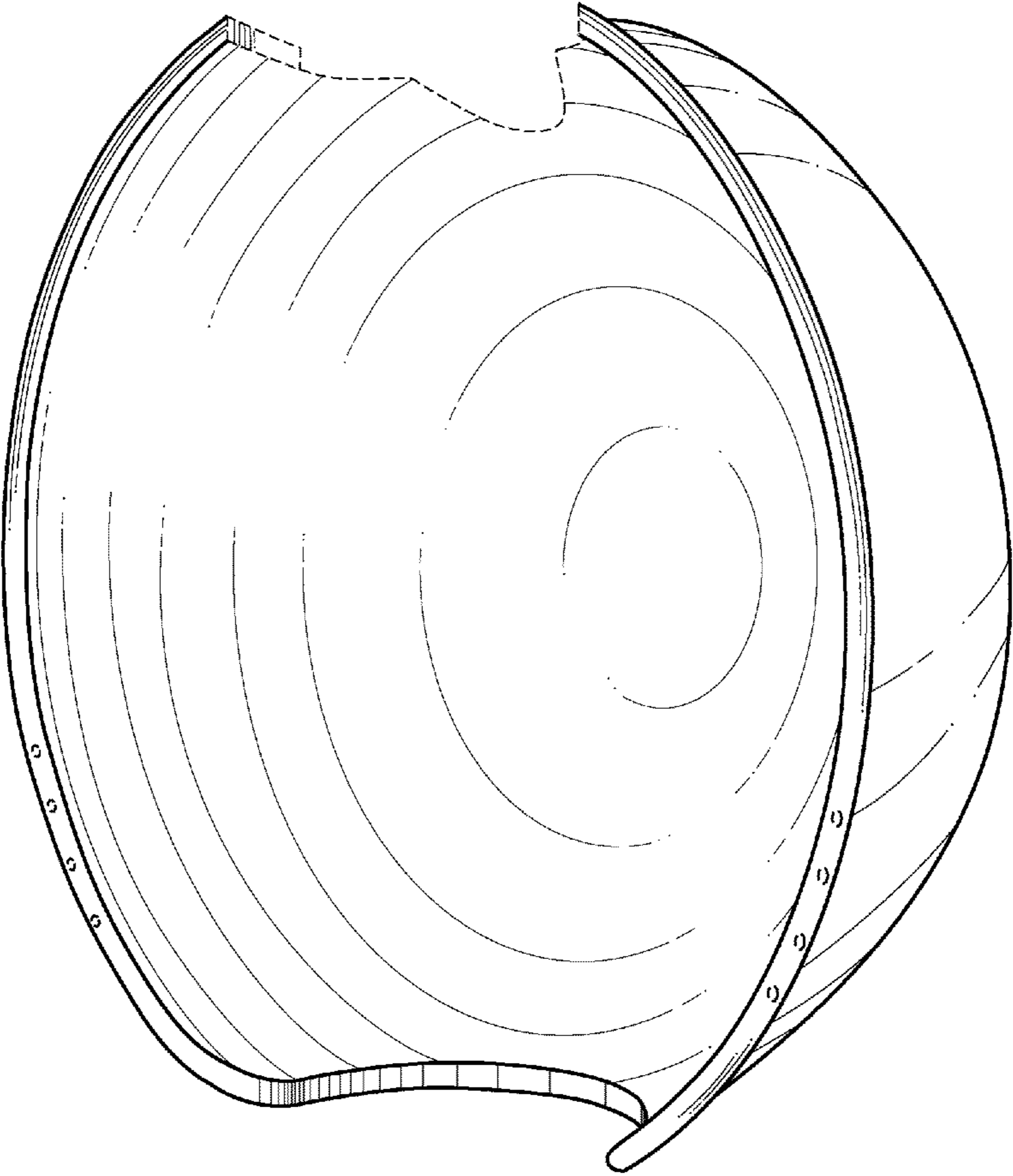


FIG. 1

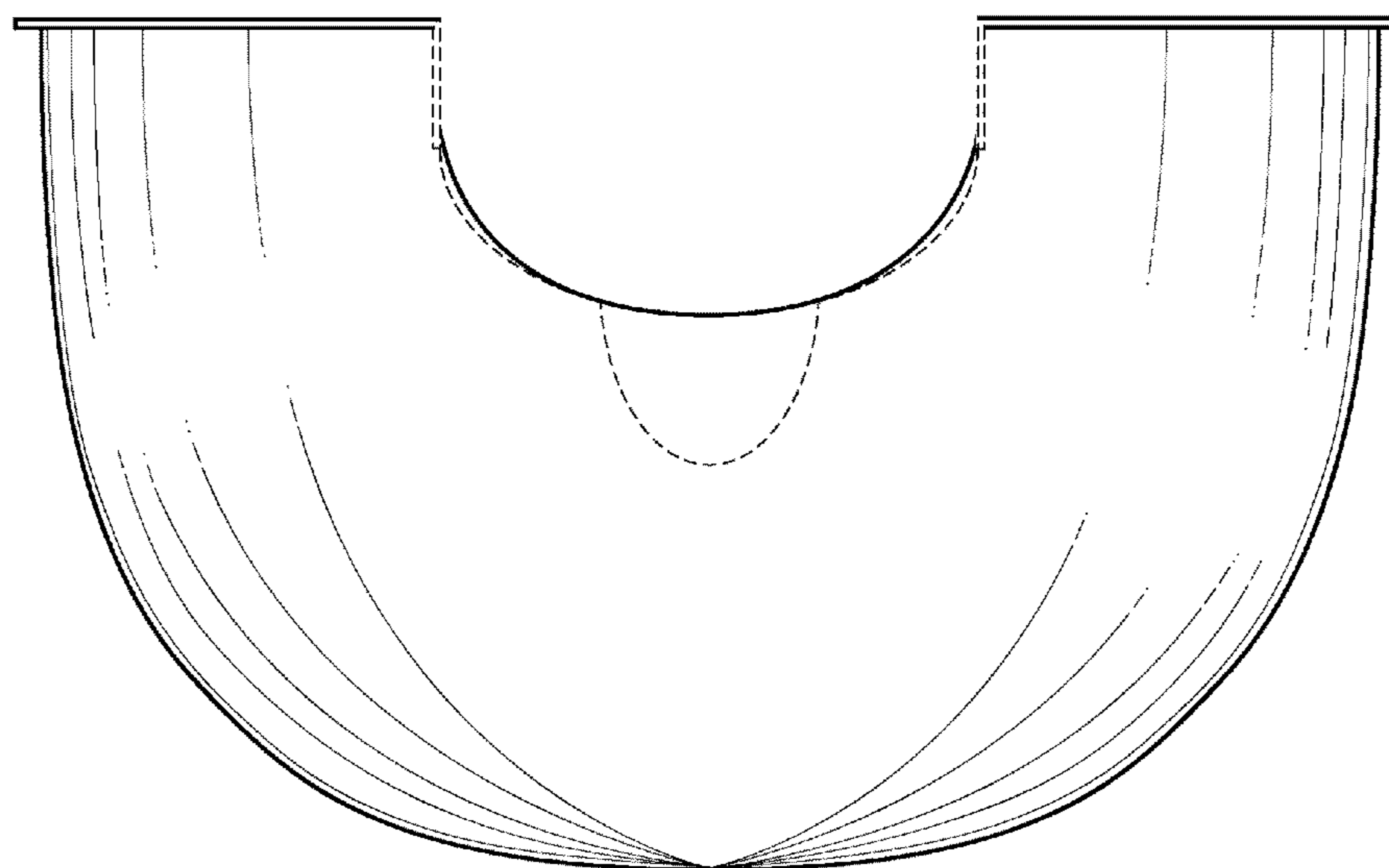


FIG. 2

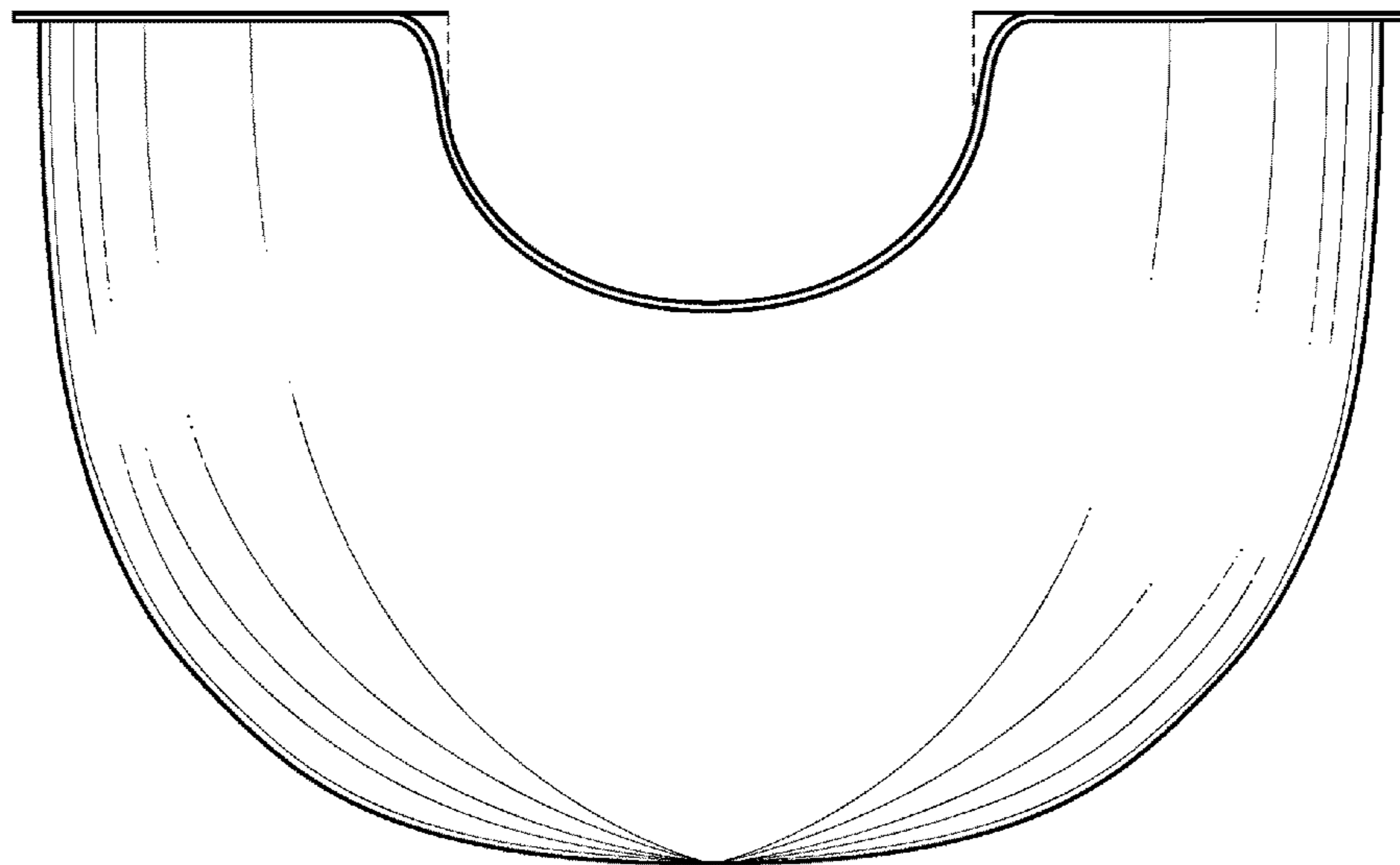


FIG. 3

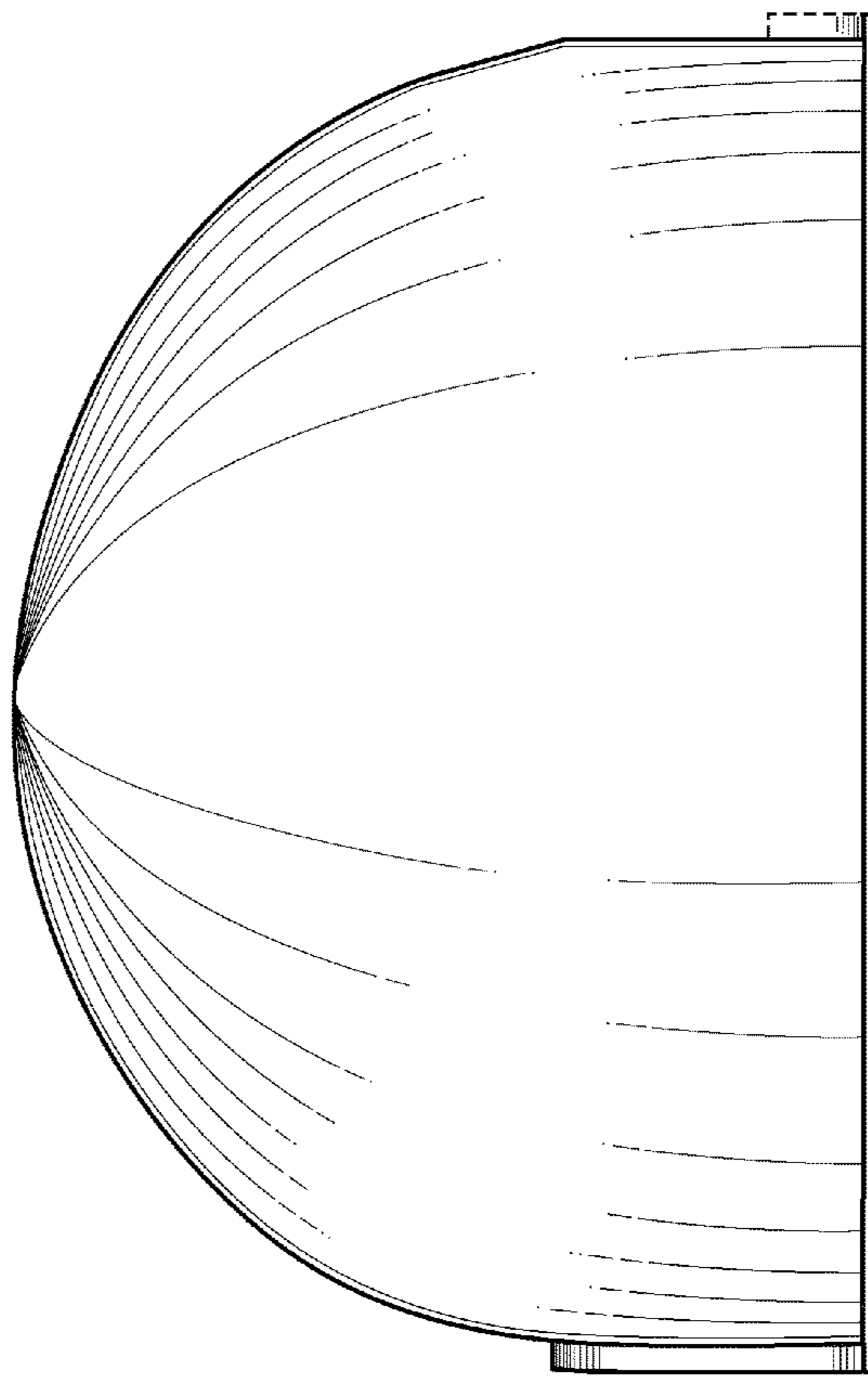


FIG. 4

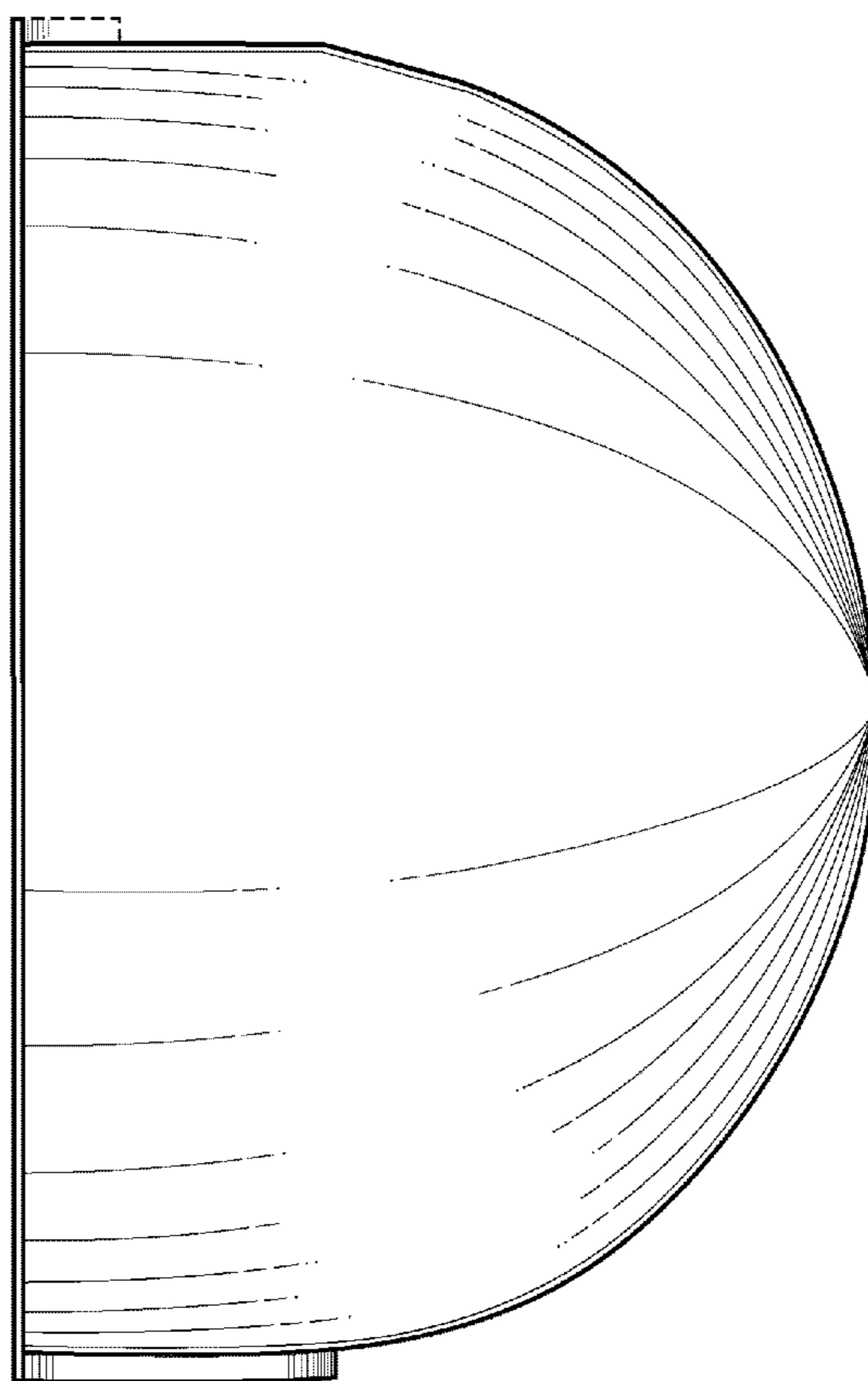


FIG. 5

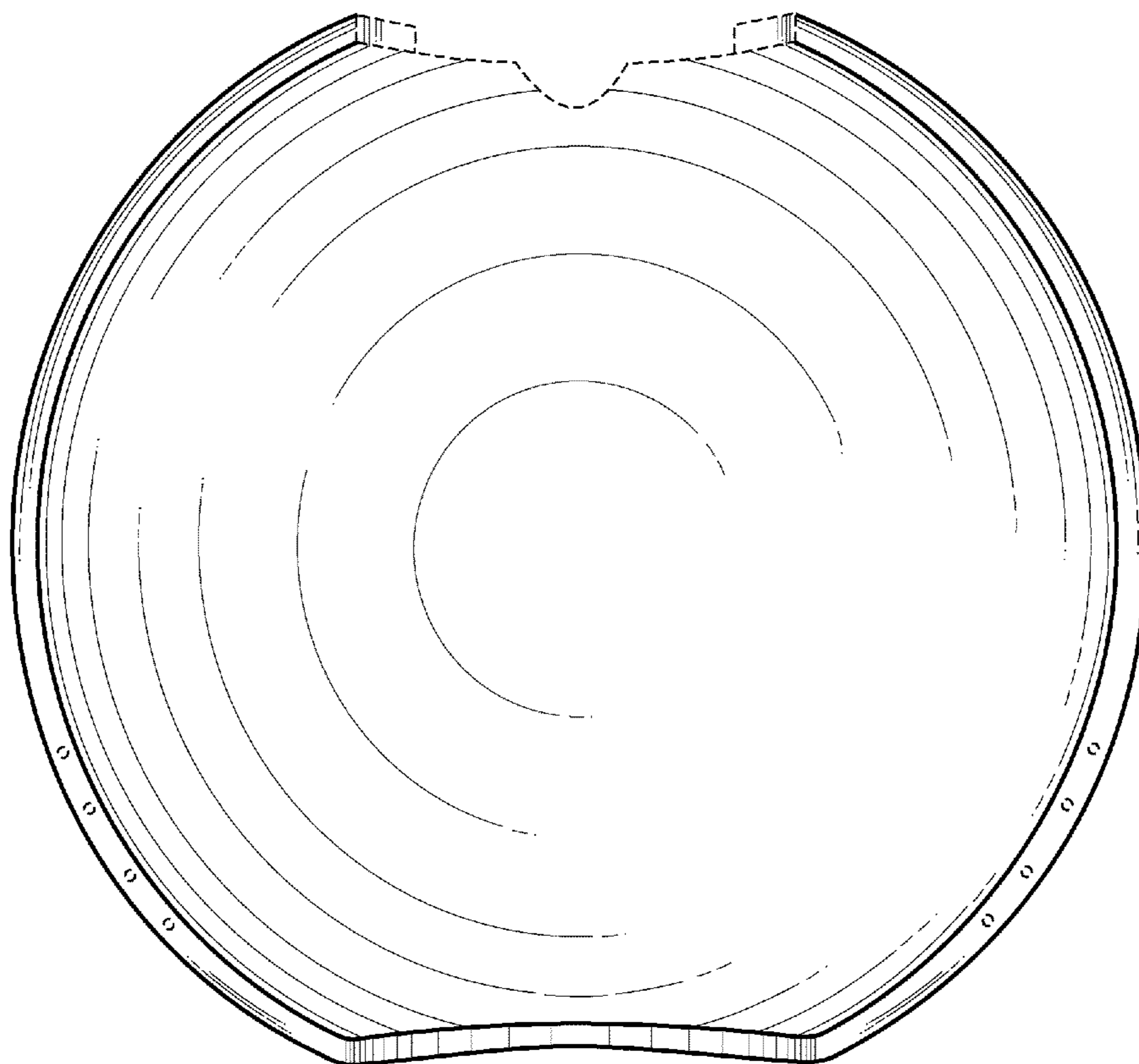


FIG. 6

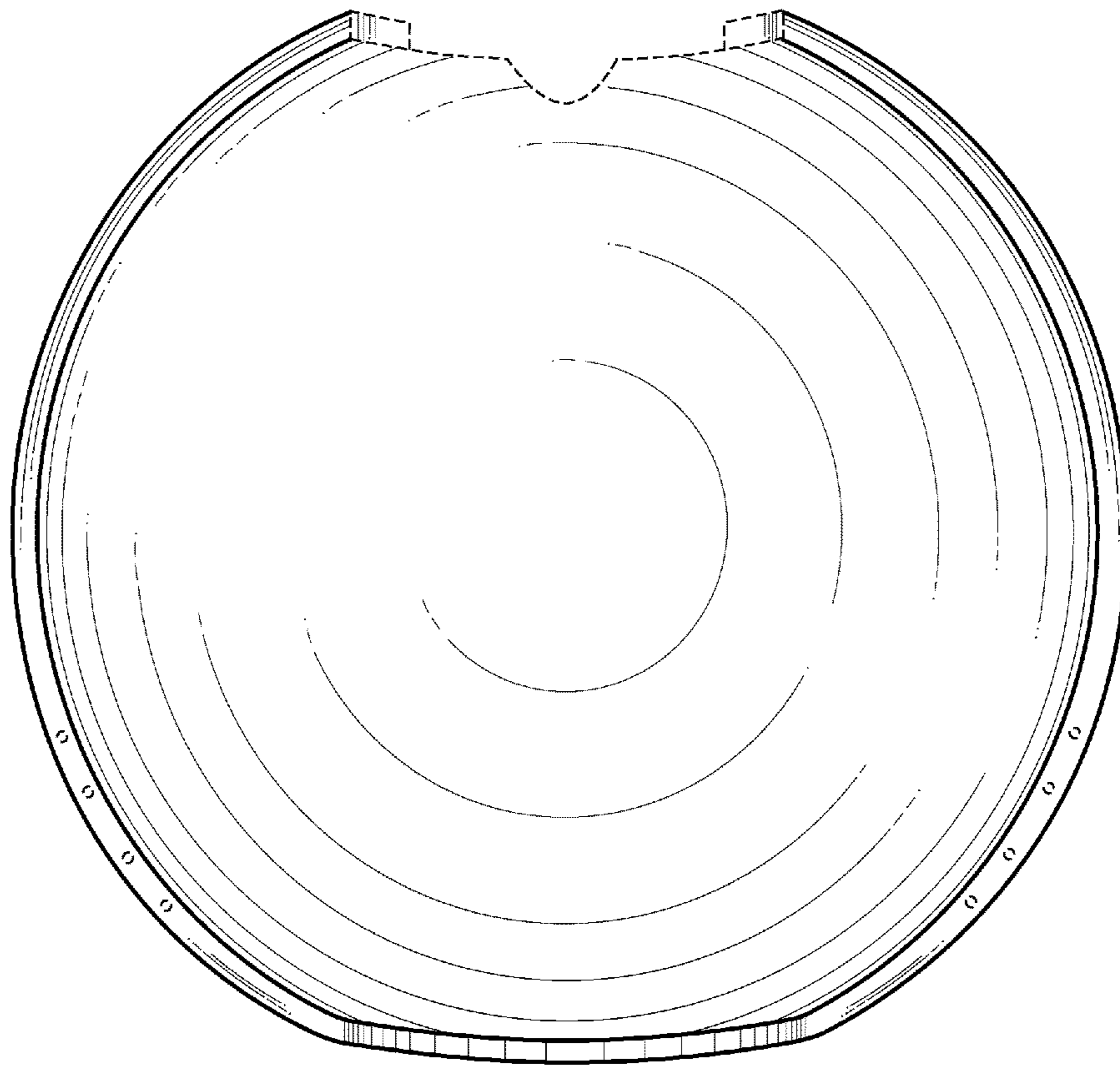


FIG. 7

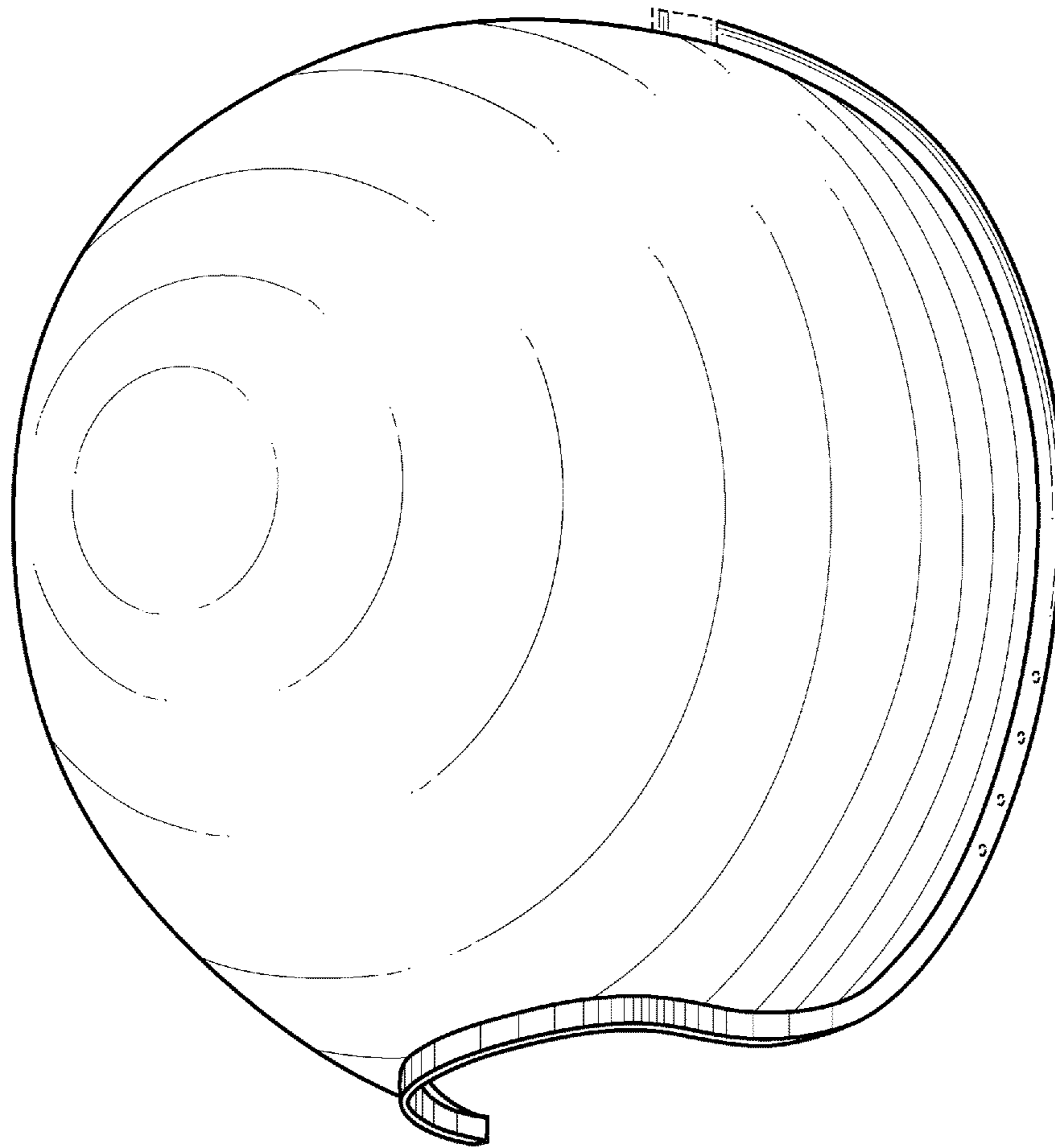


FIG. 8

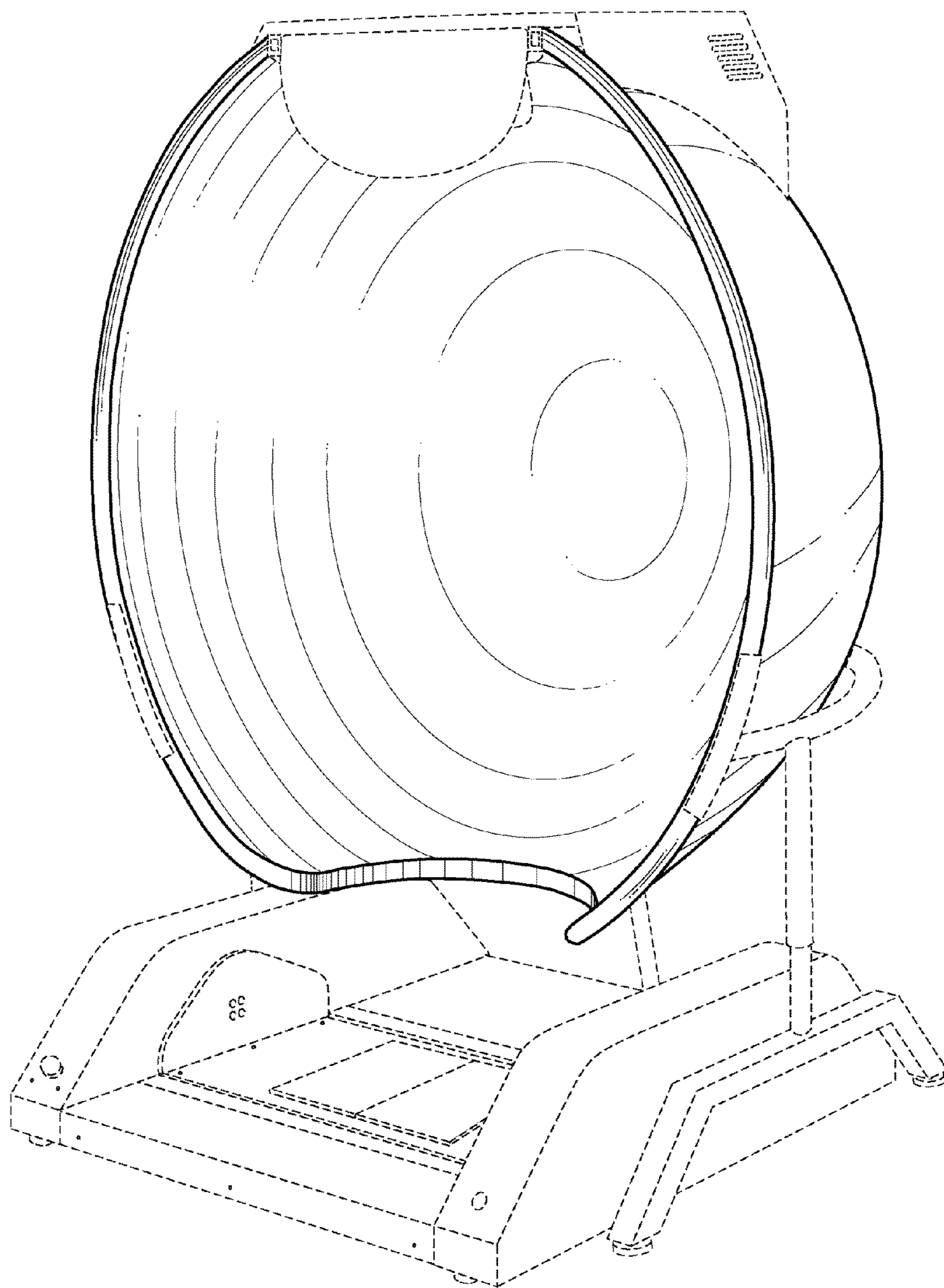


FIG. 9

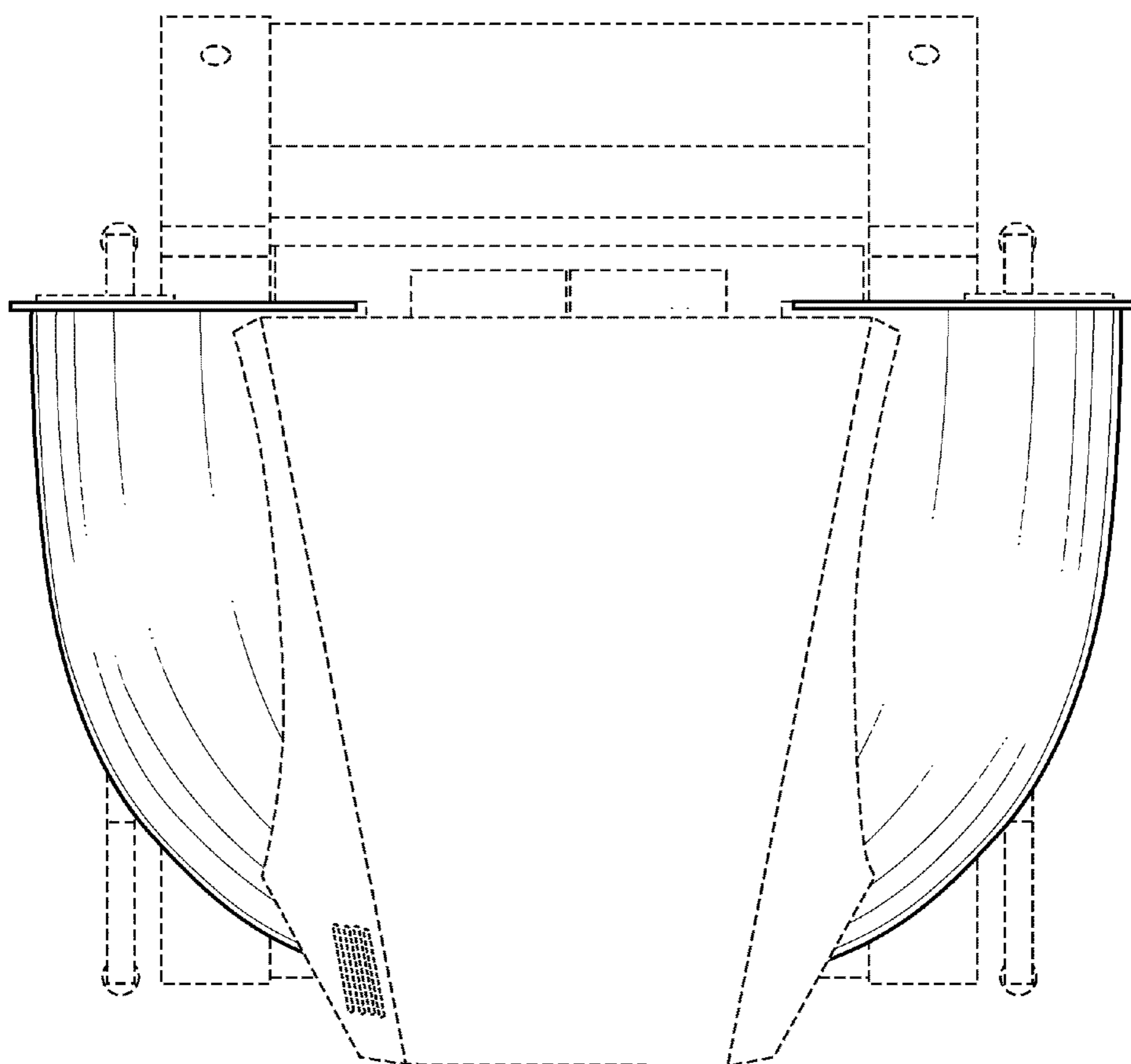


FIG. 10

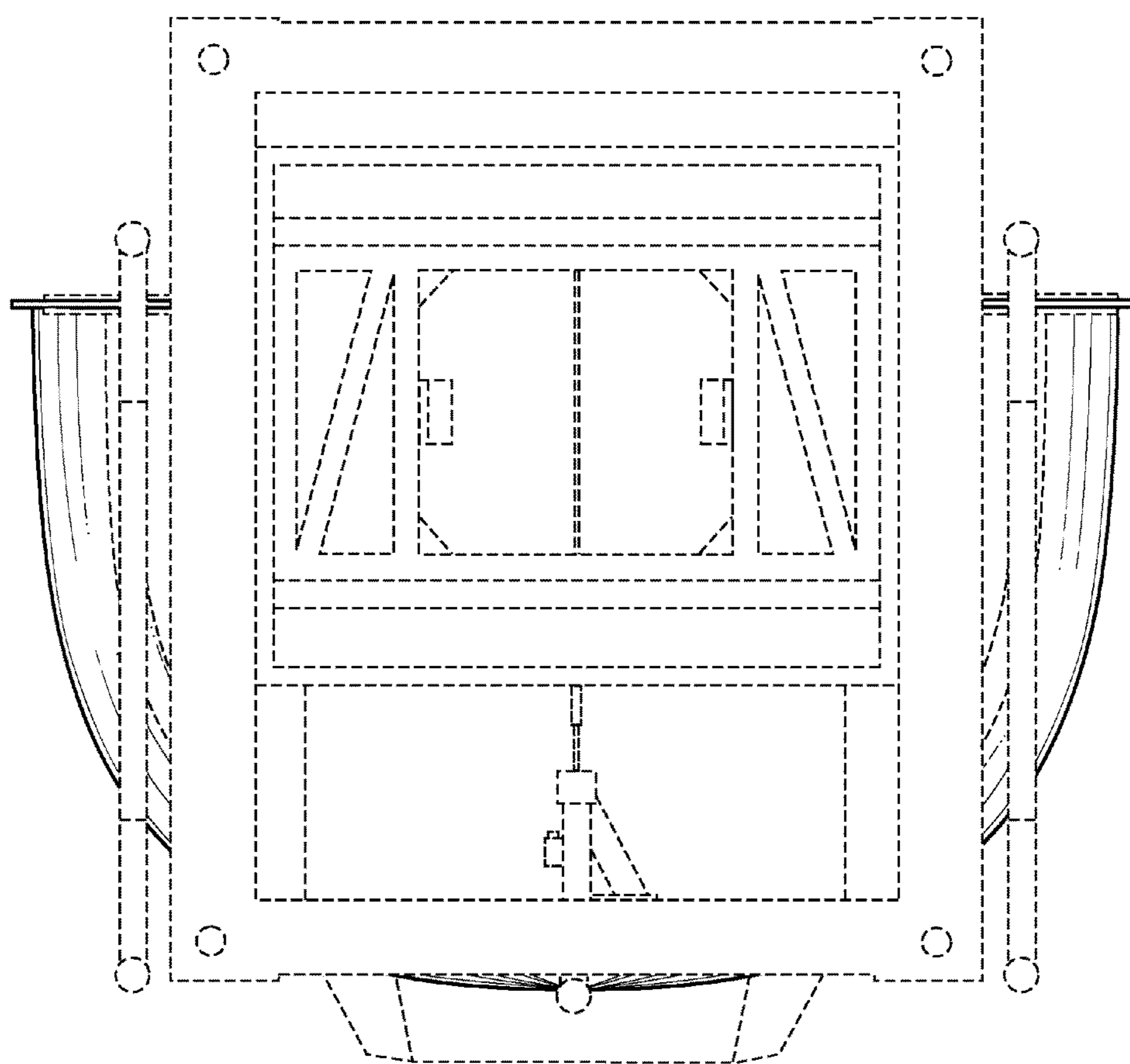


FIG. 11

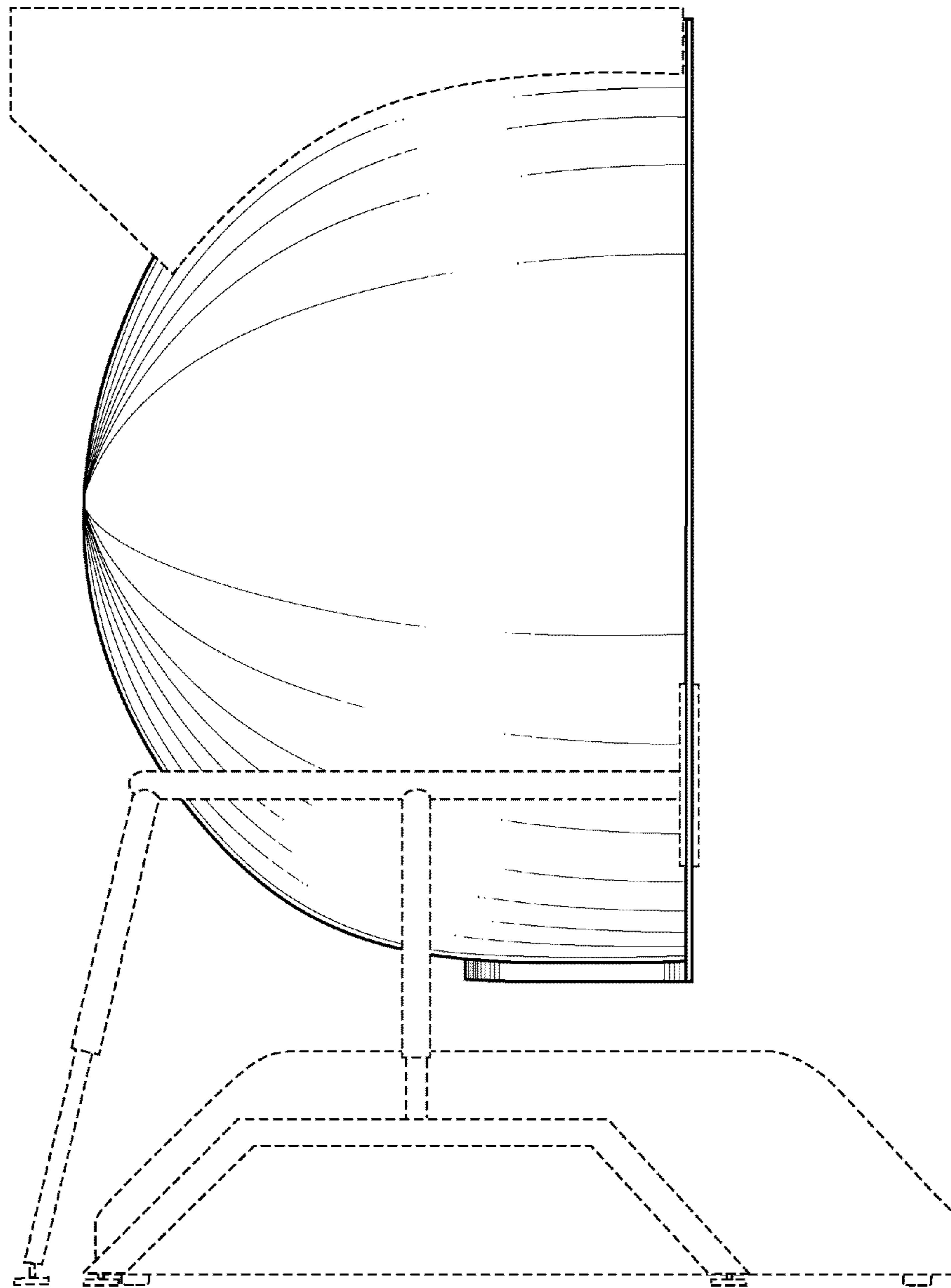


FIG. 12

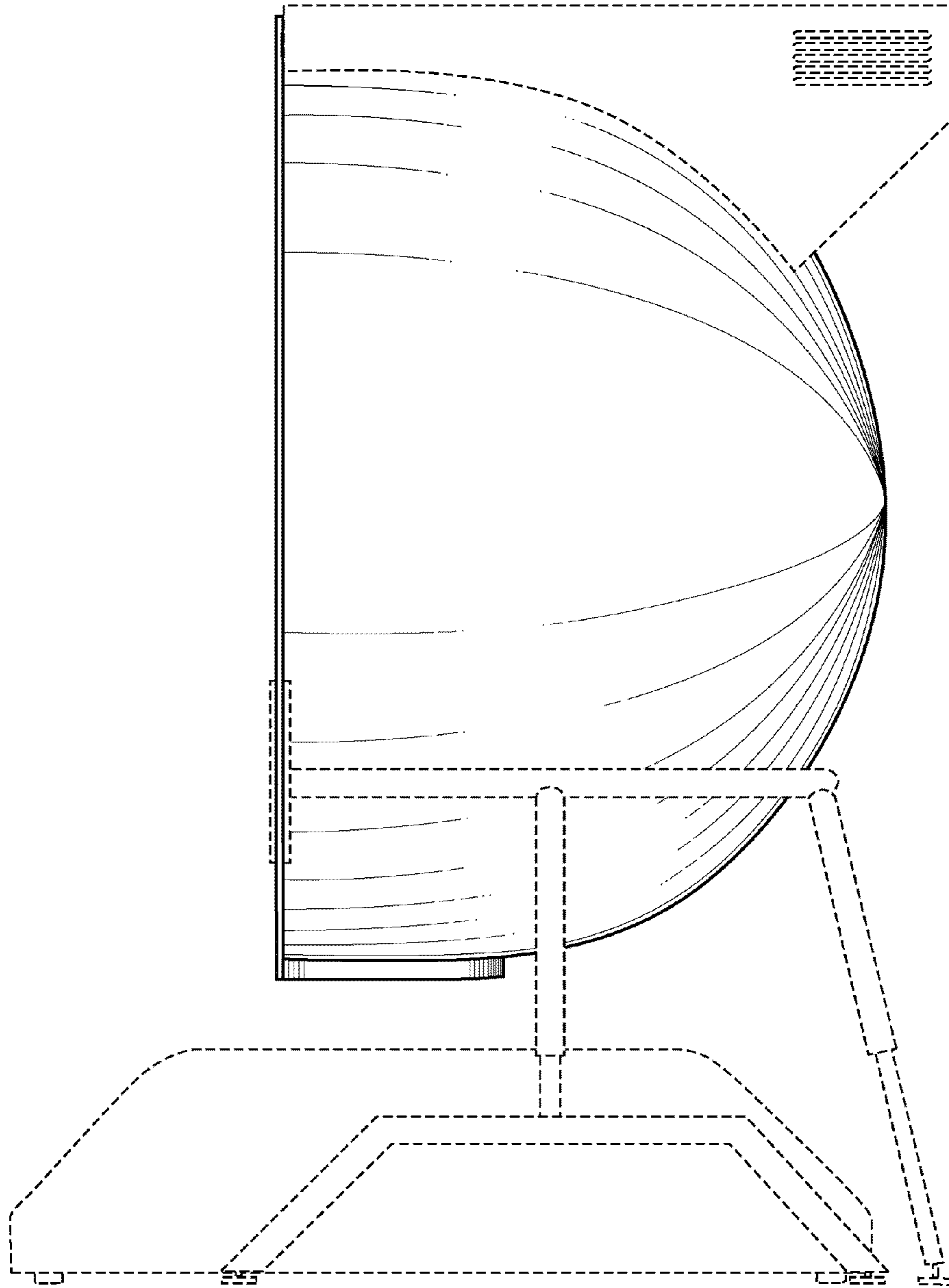


FIG. 13

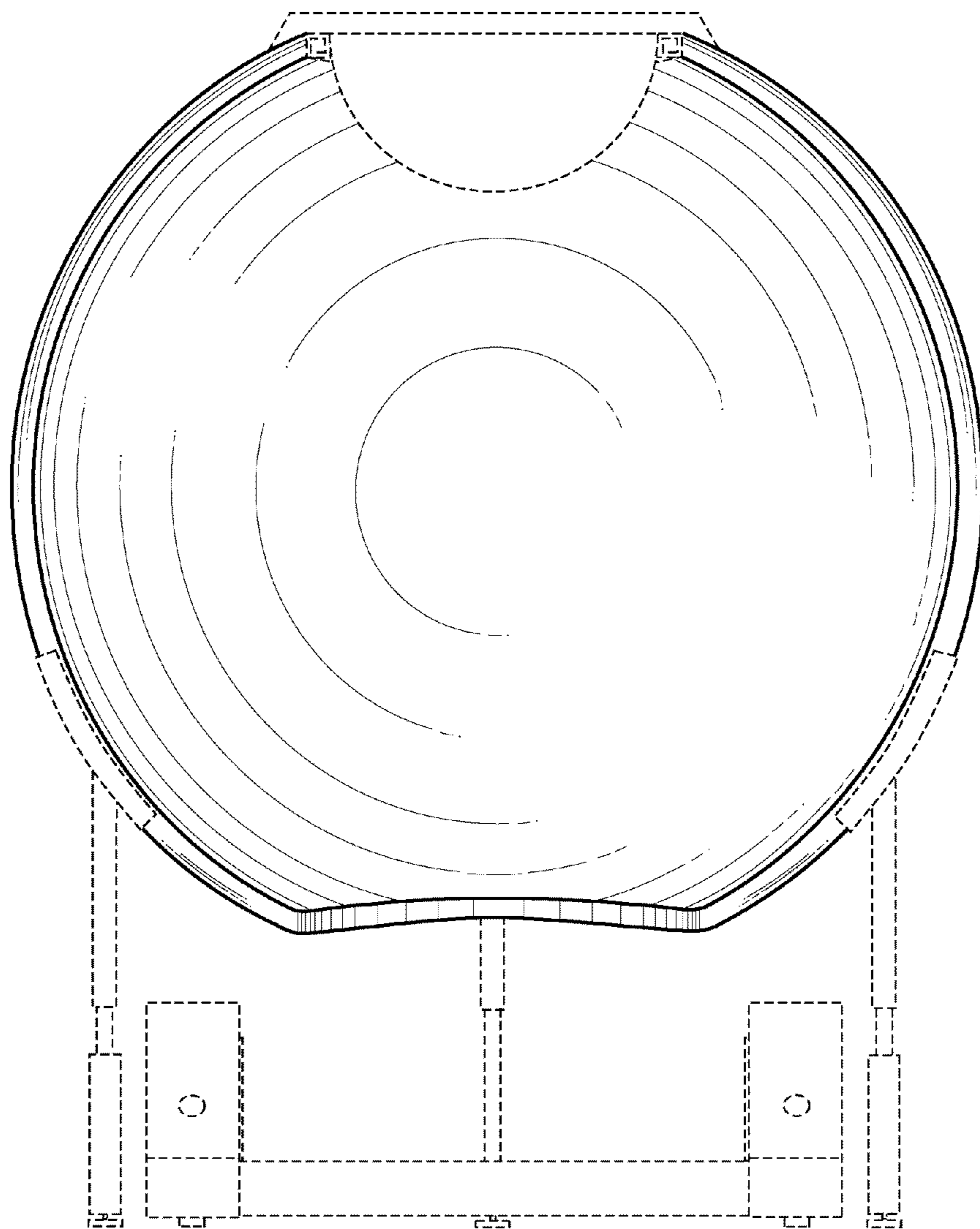


FIG. 14

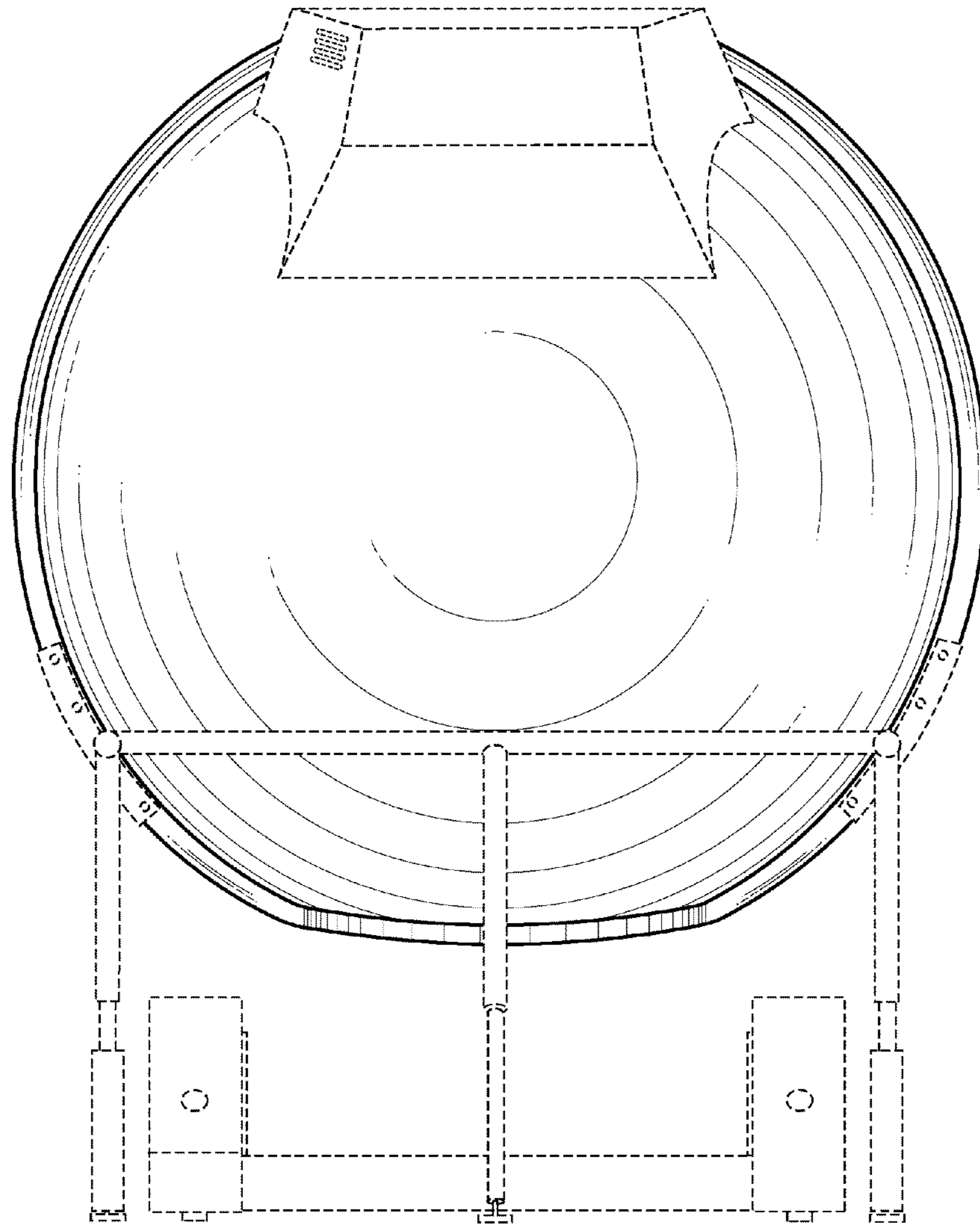


FIG. 15

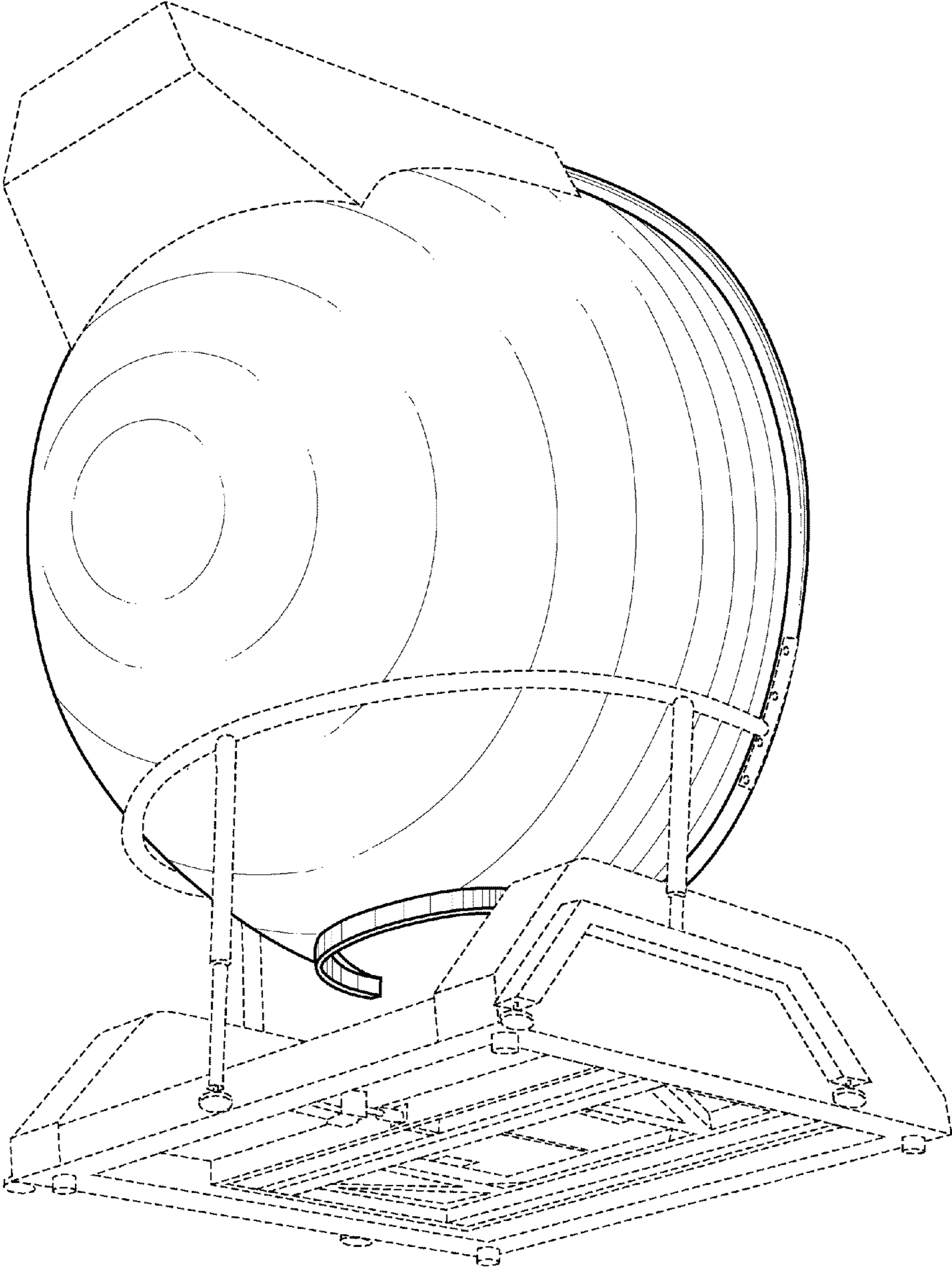


FIG. 16